

DEZZI

9M³ DUMPER



BUILT AFRICA TOUGH

Designed and Manufactured in South Africa



**BUILT AFRICA
TOUGH**

SM³ DUMPER SINGLE AXLE

Axles

Single rigid axle.

Tyres

Front / Rear : 20.5 x 25" L3

Brakes

- S-Cam air brake, spring type
- 16.5" x 7" drum brake
- Spring applied, air released
- Failsafe system

Tipping System

- Single acting telescopic cylinder
- Front Mounted

Payload

Unladen	:	4480 kg
Laden	:	22480 kg
Maximum Load	:	18000 kg
Capacity	:	Struck - 8.4m ³
		SAE 2:1 - 10.6m ³
		SAE 1:1 - 12.9m ³

SM³ DUMPER WALKING BEAM

Axles

DESMOND - Free swinging walking beam type.

Tyres

Front / Rear : 14.00 x 20" (18 Ply)

Brakes

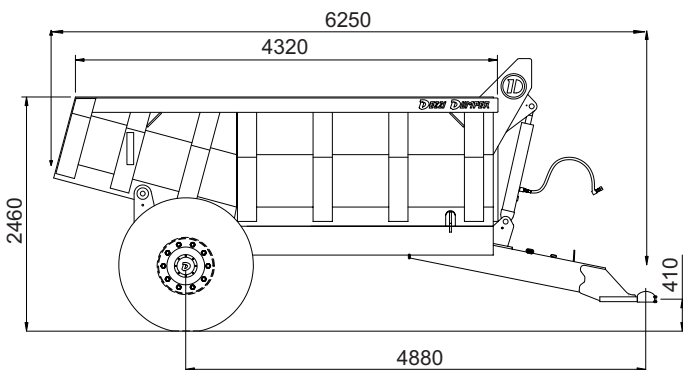
- S-Cam air brake, spring type
- 16.5" x 7" drum brake
- Spring applied, air released
- Failsafe system

Tipping System

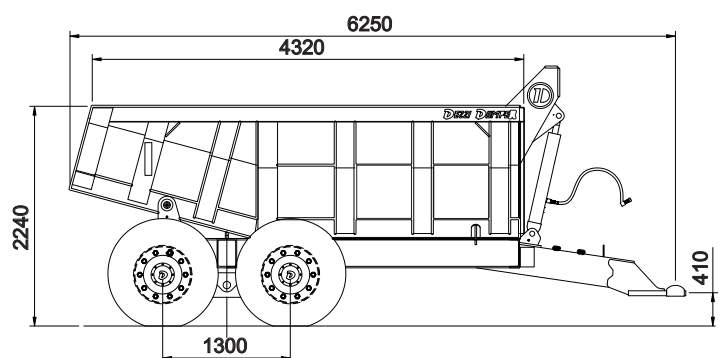
- Single acting telescopic cylinder
- Front Mounted

Payload

Unladen	:	4760 kg
Laden	:	22760 kg
Maximum Load	:	18000 kg
Capacity	:	Struck - 8.4m ³
		SAE 2:1 - 10.6m ³
		SAE 1:1 - 12.9m ³



Machine Width : 2480mm



Machine Width : 2416mm

Dimensions are approximate



**DESMOND
EQUIPMENT**

PORT SHEPSTONE HEAD OFFICE
Tel: 039 685 4100 | Fax: 039 685 4476 | E-mail:
dezzi@venturenet.co.za
PO Box 111 Port Shepstone 4240, South Africa

Desmond Equipment S.A. reserves the right to modify specifications without notice.

DEALER