

DEZZI

7 TON BUNDLE TIMBER TRAILER SINGLE AXLE



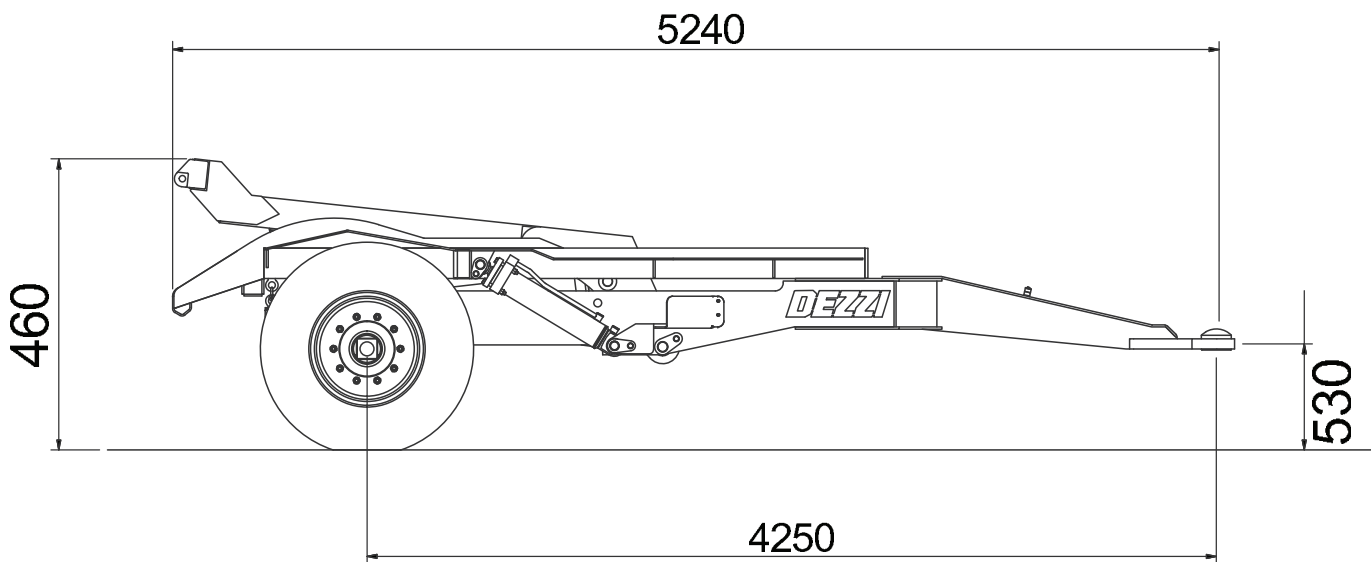
BUILT AFRICA TOUGH

Designed and Manufactured in South Africa



**BUILT AFRICA
TOUGH**

Axles	
Single rigid axle.	
Tyres	
Front / Rear	: 10:00 - 20
Brakes	
<ul style="list-style-type: none">• S-Cam air brake, spring type• 16.5" x 7" drum brake• Spring applied, air released• Failsafe system• Available in "No Brake" option	
Hydraulic System	
<ul style="list-style-type: none">• Double acting lifting cylinder and tipping• Center mounted	
Payload	
Unladen	: 2660 kg
Laden	: 8000 kg
Maximum Load	: 10660 kg



MACHINE WIDTH : 2320mm



**DESMOND
EQUIPMENT**

PORT SHEPSTONE HEAD OFFICE
Tel: 039 685 4100 | Fax: 039 685 4476 | E-mail:
dezzi@venturenet.co.za
PO Box 111 Port Shepstone 4240, South Africa

Dimensions are approximate



DEALER

Desmond Equipment S.A. reserves the right to modify specifications without notice.