

DEZZI

2500 MEGA MOVER



BUILT AFRICA TOUGH

Designed and Manufactured in South Africa



BUILT AFRICA TOUGH

Axles

- Type : Graziano
Model : PR15
- Front axle fixed, rear axle oscillates through 12°
 - Double reduction drives with standard differentials driving all four heels

Steering

- Centre pivot - frame articulation
- Fully hydraulically powered with flow controlling system
- Full flow filtering
- Steering angle - 40° in each direction

Tyres

Standard tyres : 600/65 R26 (Optional 620/75 R26)

Electrics

Voltage : 24 Volt
Battery : 2 x 12 Volt
Alternator : 24 Volt / 70/100 Amp

Brakes

Service Brake

- Dry disc caliper activating on all four wheels
- Fully hydraulically activated
- Brakes are activated by use of one brake pedal

Park Brake

- Spring applied hydraulic release fail safe
- Operator engages manually

Loader Hydraulic System

- Closed system with pressure control
- Fixed displacement gear type pump
- Full flow filtering

Steering Hydraulics

- Two 76.2mm bore x 472 mm stroke double acting cylinders
- Orbital controlled
- Working pressure - 2400 Psi

Engine

Type : Cummins
Model : 6BT - 5.9 Turbo
Capacity : 5.9 Litres
Power : 165 / 123kW @ 2500 RPM
Torque : 640Nm @ 1500 RPM

Approximate fuel burn : 10-12 Ltrs/Hr - Heavy Cycle
8-10 Ltrs/Hr - Light Cycle

Transmission

- Type : ZF
Model : 4WG160
- Four speed automatic shift transmission with modulated directional clutch
 - Driven via converter from engine
 - Operation by a single lever on left of steering wheel

Maximum speed in gears : 4 Forward - 3 Reverse

	First	Second	Third	Fourth
Forward (km/h)	7.6	13.95	26	43
Reverse (km/h)	8	14.6	28	

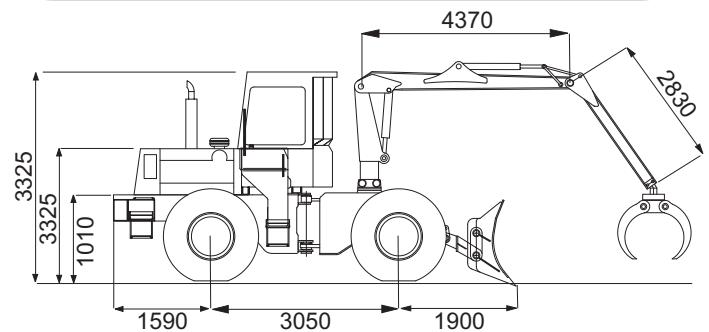
Gears speeds at engine RPM : 2300

Operational Weights

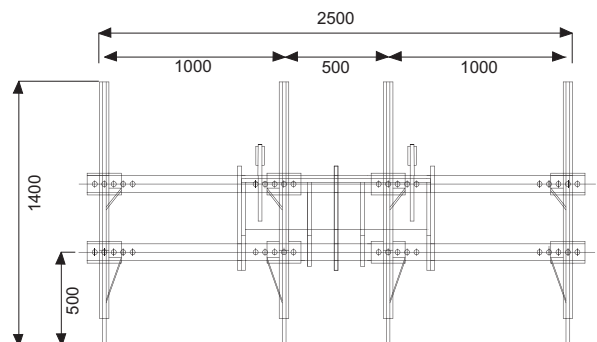
Operating Weight : 13500 kg
Turning Circle : 6470mm radius outside bucket

Loader

- Loglift F71 Crane. Grab size 0.56. Slew 220°
- Push Piler



Push Piler



Dimensions are approximate



DESMANN EQUIPMENT

PORT SHEPSTONE HEAD OFFICE

Tel: 039 685 4100 | Fax: 039 685 4476 | E-mail:
dezzi@venturenet.co.za

PO Box 111 Port Shepstone 4240, South Africa

Desmond Equipment S.A. reserves the right to modify specifications without notice.

DEALER