

DEZZI

2500 FEL



BUILT AFRICA TOUGH

Designed and Manufactured in South Africa



**BUILT AFRICA
TOUGH**

Axles

Type : ZF
 Model : AP 3085
 • Front axle fixed, rear axle oscillates through 12°
 • External planetary hub reduction and inboard wet sealed disc brakes

Steering

- Centre pivot - frame articulation
- Fully hydraulically powered with flow controlling system
- Full flow filtering
- Steering angle - 40° in each direction

Tyres

Standard tyres : 20.5 R25

Electrics

Voltage : 24 Volt
 Battery : 2 x 12 Volt
 Alternator : 24 Volt / 70 Amp

Brakes

Service Brake

- Inboard, sealed, wet brakes activating all four wheels
- Fully hydraulically activated with fail safe
- Brakes are activated by use of one brake pedal

Park Brake

- Mechanical type brake acting on the drive shaft
- Operator engages manually

Loader Hydraulic System

- Closed system with pressure control
- Fixed displacement gear type pump
- Full flow filtering - Max Flow 214 L/mm

Main Hydraulics

- Two 139.7 bore x 828 mm stroke double acting cylinders
- Working pressure - 2400 Psi

Tilt Hydraulics

- Two 114.3 mm x 617 mm stroke double acting cylinders
- Working pressure - 2400 Psi

Engine

Type : Cummins
 Model : 6BT - 5.9 Turbocharged - FR90869 Tier 2
 Capacity : 5.9 Litres
 Power : 123KW @ 2500 RPM
 Torque : 609Nm @ 1600 RPM

Transmission

Type : ZF
 Model : 4WG160
 • 4 Speed automatic/power shift transmission with modulated directional clutch
 • Driven via converter from engine
 • Operation by single lever on left of steering wheel

Maximum speed in gears : 4 Forward - 3 Reverse

	First	Second	Third	Fourth
Forward(km/h)	7.6	13.95	26	43
Reverse(km/h)	8	14.6	28	

Gears speeds at engine RPM : 2300

Bucket Controls

Hydraulic, pilot operated by use of single lever joystick on right side of operator seat.

Bucket Specifications

General purpose bucket : 2.3m³ / 2.5m³ / 2.7m³ (4400kg Max)
 Bucket width : 2700 mm

Service Capacities

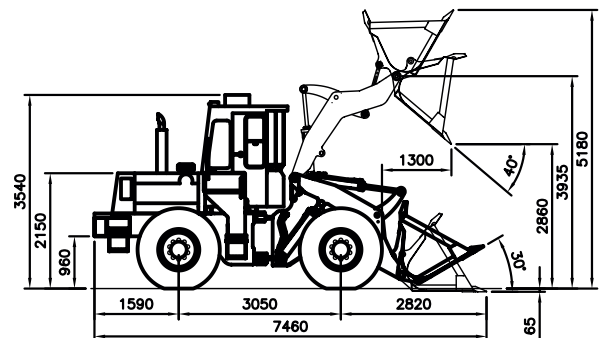
Cooling system : 32 Litres (50% Anti-freeze)
 Engine Crankcase : 16 Litres
 Differentials : 28 Litres (per differential)
 Transmission : 26 Litres
 Diesel Tank : 240 Litres
 Hydraulic System : 185 Litres
 Planetary Gears : 210 Litres (Total System)
 Planetary Gears : 6 Litres (per planetary)

Operational Weights

Operating Weight : Front Axle - 6950 kg
 Rear Axle - 8100 kg
 Total - 15050 kg
 Breakout Force : 12600 kg
 Static Tipping Load : Straight - 12390 kg
 Full turn 40° - 11522 kg
 Turning Circle : 6470mm radius outside bucket

Cab (Standard)

- Fully adjustable mechanical seat with arm rests
- ROPs / FOPs Certified
- Front Wipers
- Airconditioner with Filters
- Noise Level 85db



MACHINE WIDTH 2700mm

Dimensions are approximate



**DESMOND
EQUIPMENT**

PORT SHEPSTONE HEAD OFFICE

Tel: 039 685 4100 | Fax: 039 685 4476 | E-mail: dezzi@venturenet.co.za

PO Box 111 Port Shepstone 4240, South Africa

Web: www.dezzi.co.za

Desmond Equipment S.A. reserves the right to modify specifications without notice.

DEALER