

BIOTURN 3000

PTO Compost turner



**BADGER
BIOMASS
EQUIPMENT**

Durable & Unique

www.abc.co.za Head office: +27 23 342 1212

80 to 130 HP PTO driven model

Requires a tractor with 2 hydraulic functions

Solid steel construction

Improved rotor design for aggressive compost turn action

Height adjustable

Side hydraulic steering while working and/or towing

The center clearance height allows an ideal compost triangle

Hydraulic lift raises the unit to stop or start the compost turning action at any point in the row.

Foldable side bar for compact storage and/or transport.

Specifications:

Operating speed: up to 300 m / hour

Weight of the machine: 3 000 kg

Rotor chamber length 3 m

Operational dimensions:

Height: 1.800 m

Length 6.000 m

Storage / transport dimensions:

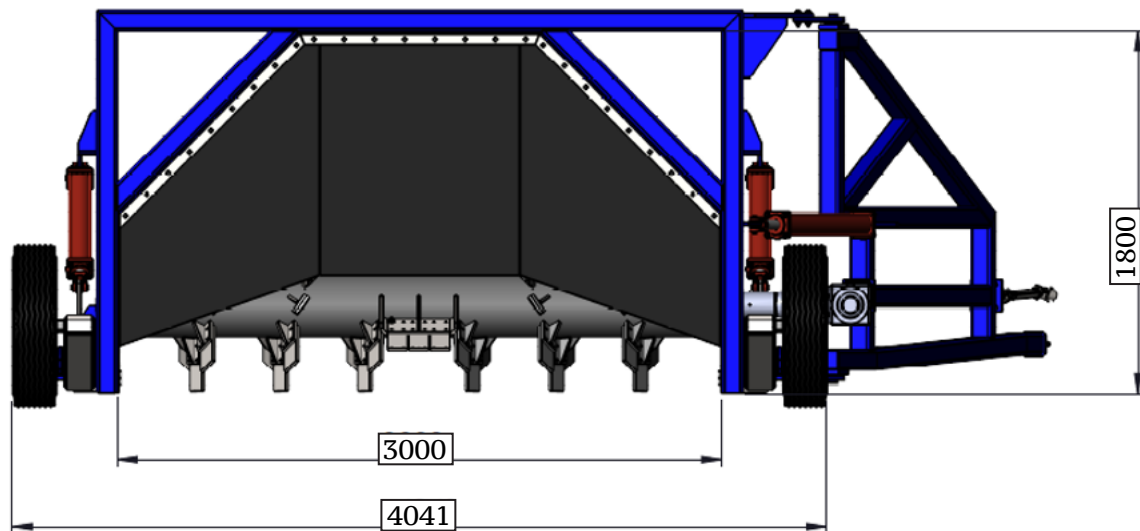
Length: 4.420 m

Width: 2.903 m

Height: 1.902 m



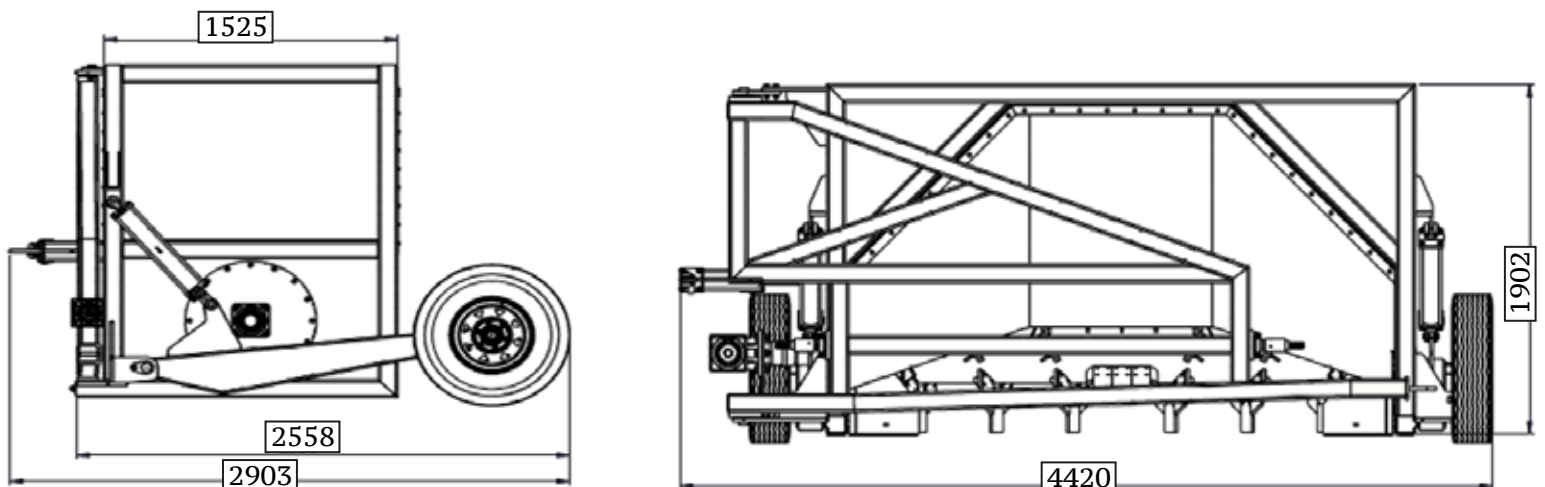
Improved rotor design for better compost turn action



Hydraulic lift raises the complete unit above the compost row.



**Foldable side bar for compact storage and/or transport:
Length 4.42 m | Width 2.903 m | Height 1.902 m**



BADGER BIOMASS EQUIPMENT:
A brand created by ABC to supply equipment that is innovative, unique and durable for the Biomass industry.