

SLOW SPEED SHREDDER

Pallet & waste wood shredder



Durable & Unique

**BADGER
BIOMASS
EQUIPMENT**

www.abc.co.za Head office: +27 23 342 1212

BADGER MODEL: PS-1GS-22VS

Shredder:

Variable speed control system

Automatic jam reverse function

Automatic load sensing misfeed correction

Solid steel construction

Replaceable tungsten carbide shredder teeth

Replaceable/ interchangeable screen for variable product size.

Compact design and floor-print

High quality components

Ease of maintenance

3phase 380V 50Hz 22kW

Handles waste wood & packaging of up to 1300 x 200mm

Discharge conveyor:

DOL starter

Conveyor on castors for easy removal and cleaning

Drip tray to reduce floor contamination

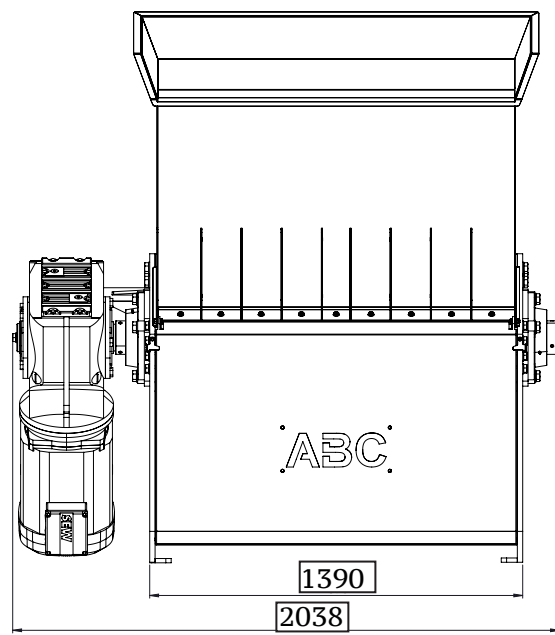
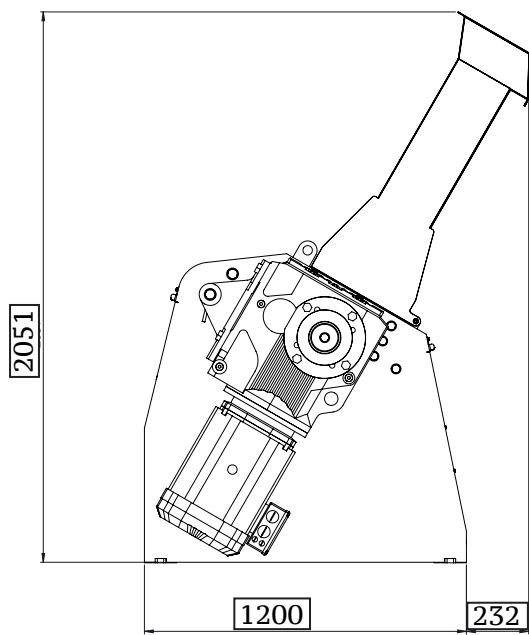
Foldable structure for easy transport

High quality components

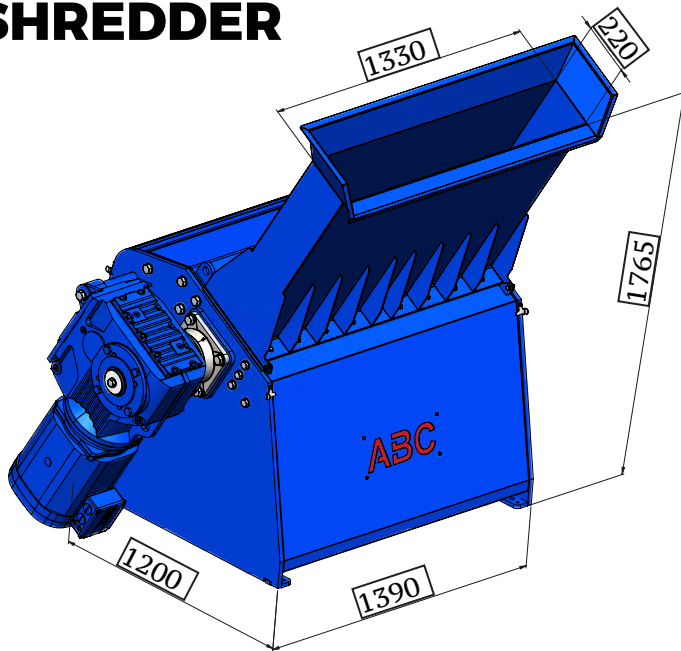
3phase 380V 50Hz 0.75kW

Capacity: 35-40 pallets per hour
(depending on pallet)

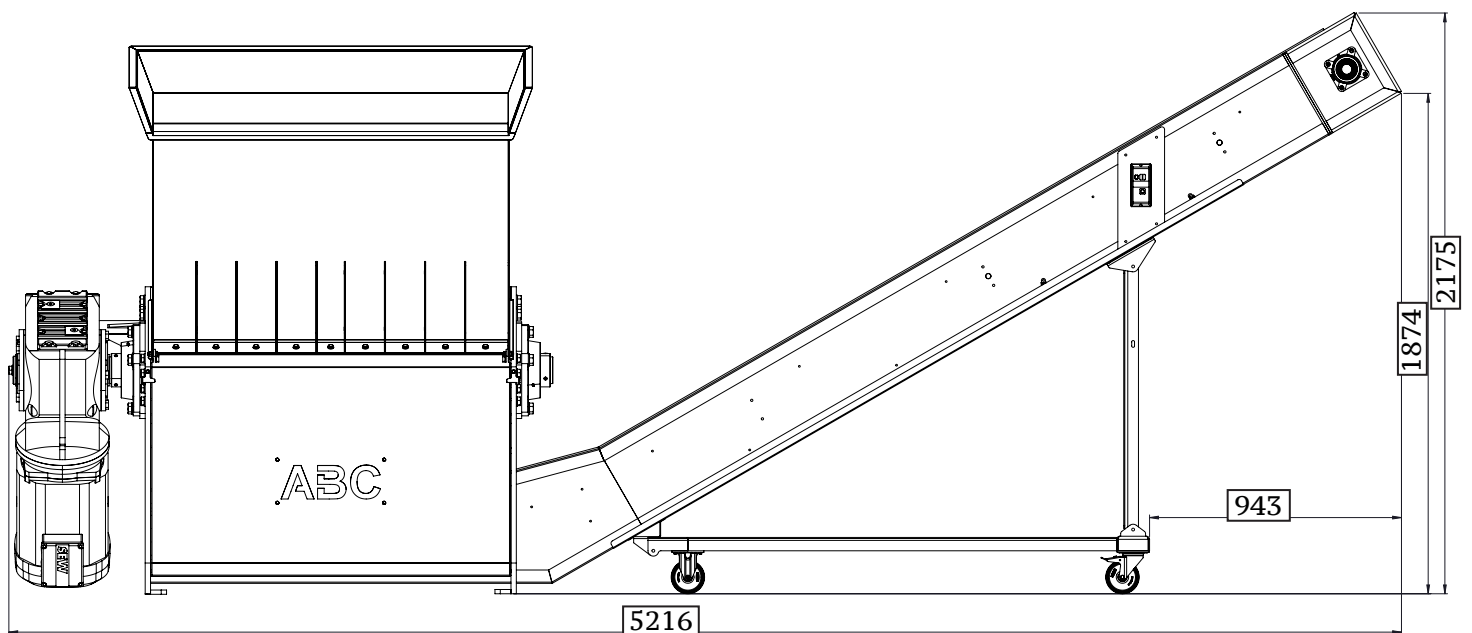




SHREDDER



DISCHARGE CONVEYOR WITH SHREDDER



BADGER BIOMASS EQUIPMENT:
A brand created by ABC to supply equipment that is innovative, unique and durable for the Biomass industry.



**AFRICA
 BIOMASS
 COMPANY**