

BADGER BILLETER

Chops logs into billets



Durable & Unique

BADGER BIOMASS EQUIPMENT

www.abc.co.za Head office: +27 23 342 1212

Cuts logs up to 180mm diameter into \pm 150mm long billets

Can produce more than 12 tons per hour

Powered by a 100 hp diesel engine

Optional infeed and / or elevated outfeed conveyor can be added
PTO-driven option available (>55 kW / 75hp tractor required)

Re-usable / replaceable high quality steel cutter blades

Cutter blades can be re-sharpened

Unit is trailer-mounted

Dimensions:

Length: 4.093 m

Width: 2.174 m

Height: 2.160 m

Weight: \pm 3 000kg (Handfed) or \pm 3 800kg (Mechanical infeed)



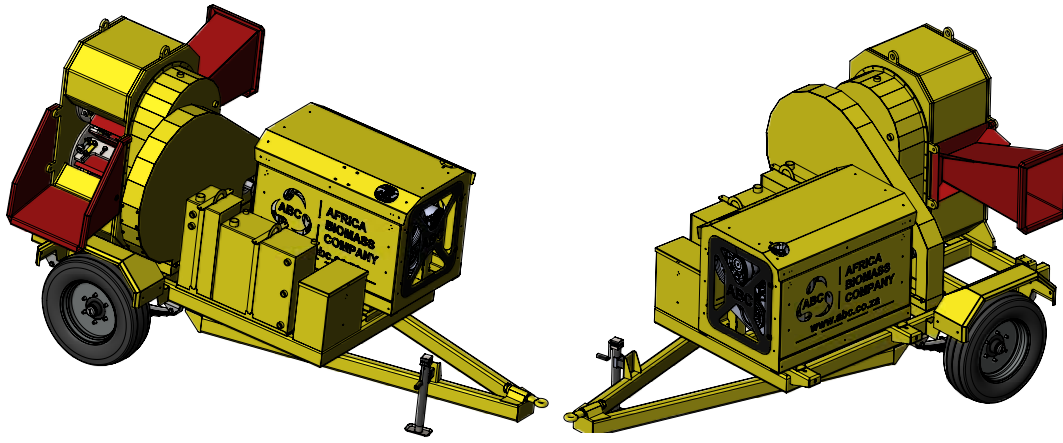
BADGER BIOMASS EQUIPMENT:

A brand created by ABC to supply equipment that is innovative, unique and durable for the Biomass industry.



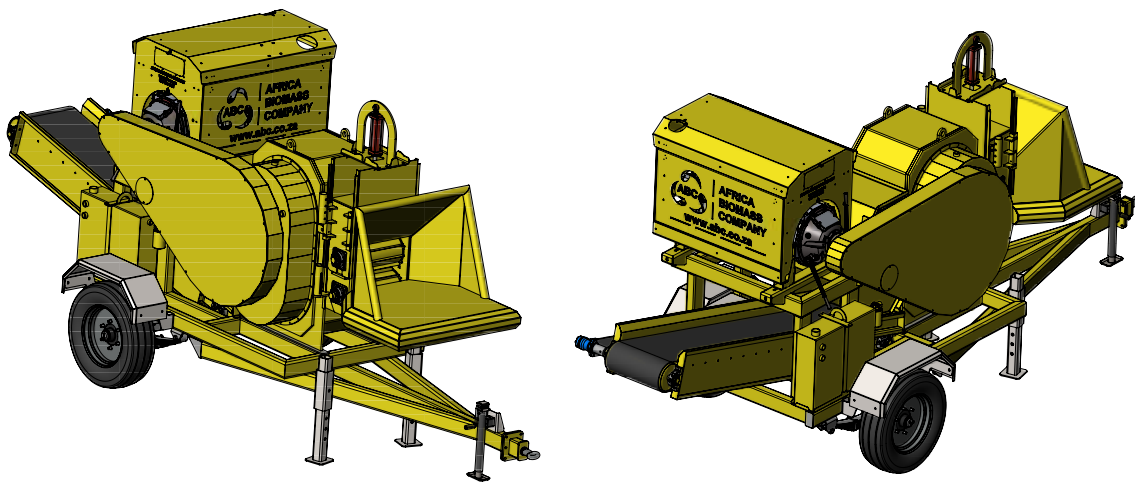
AFRICA
BIOMASS
COMPANY

HANDED BILLETER ABC Model BHF 180



MECHANICAL INFEED BILLETER ABC Model BMF 180

Mechanical infeed with the necessary hydraulics to drive the infeed rollers



The hydraulics of the machine is also capable of powering a stacking conveyer (on a separate trailer) to load the billets up to 3.6 m high. The stacking conveyer can be supplied as an optional extra.