

# DEZZI

## 1700T



# BUILT AFRICA TOUGH

Designed and Manufactured in South Africa



# BUILT AFRICA TOUGH

## Axles

Type : ITL  
 Model : PD90

- Front axle fixed, rear axle oscillates through 12°
- Double reduction drives with "Max-Trac" limited slip differentials.

## Steering

- Centre pivot - frame articulation
- Fully hydraulically powered with flow controlling system
- Full flow filtering
- Steering angle - 35° in each direction

## Tyres

Standard tyres : 17.5 x 25L3

## Electrics

Voltage : 24 Volt  
 Battery : 1 x 12 Volt  
 Alternator : 12 Volt / 55 Amp

## Brakes

### Service Brake

- Inboard, sealed, wet brakes activating all four wheels
- Fully hydraulically activated
- Brakes are activated by use of one brake pedal

### Park Brake

- Mechanical type brake acting on the drive shaft
- Operator engages manually

## Loader Hydraulic System

- Closed system with pressure control
- Fixed displacement gear type pump
- Full flow filtering

## Main Hydraulics

- Two 114.3 bore x 748.5 mm stroke double acting cylinders
- Working pressure - 2400 Psi

## Tilt Hydraulics

- Two 101.6 mm x 420 mm stroke double acting cylinders
- Working pressure - 2400 Psi

## Engine

Type : Cummins  
 Model : 6BT - 5.9 Turbocharged  
 Capacity : 5.9 Litres  
 Power : 97kW @ 2200 RPM  
 Torque : 530Nm @ 1600 RPM

## Transmission

Type : ZF  
 Model : 4WG130

- Four speed manual shift transmission with modulated directional clutch.
- Driven via converter from engine.
- With auto kick down

Maximum speed on gears :

	First	Second	Third	Fourth
<b>Forward (km/h)</b>	<b>7.24</b>	<b>11.92</b>	<b>22.40</b>	<b>36.73</b>
<b>Reverse (km/h)</b>	<b>7.68</b>	<b>12.55</b>	<b>24.0</b>	

Gears speeds at engine RPM : 2350

## Bucket Controls

Hydraulic, pilot operated by use of single lever joystick on right side of operator seat.

## Bucket Specifications

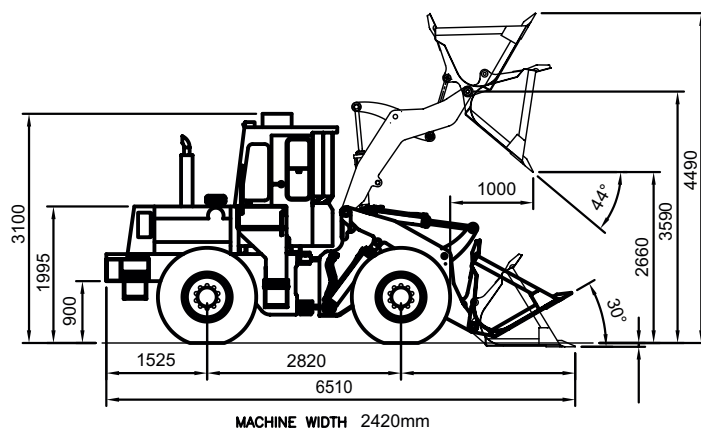
General purpose bucket : 1.7m<sup>3</sup> / 1.9m<sup>3</sup>  
 Bucket width : 2420 mm

## Service Capacities

Cooling system : 32 Litres (50% Anti-freeze)  
 Engine Crankcase : 16 Litres  
 Differentials : 12 Litres  
 Transmission : 30 Litres  
 Diesel Tank : 240 Litres  
 Hydraulic System : 185 Litres (Tank only)  
 210 Litres (Total System)  
 Planetary Gears : 2.5 Litres (per planetary)

## Operational Weights

Operating Weight : Front Axle - 4600 kg  
 Rear Axle - 5200 kg  
 Total - 9800 kg  
 Breakout Force : 10320 kg  
 Static Tipping Load : Straight - 6748 kg  
 Full turn 35° - 5972 kg  
 Turning Circle : 6345mm radius outside bucket



Dimensions are approximate



# DESMOND EQUIPMENT

PORT SHEPSTONE HEAD OFFICE

Tel: 039 685 4100 | Fax: 039 685 4476 | E-mail: dezzi@venturenet.co.za

PO Box 111 Port Shepstone 4240, South Africa

Web: www.dezzi.co.za

Desmond Equipment S.A. reserves the right to modify specifications without notice.

DEALER