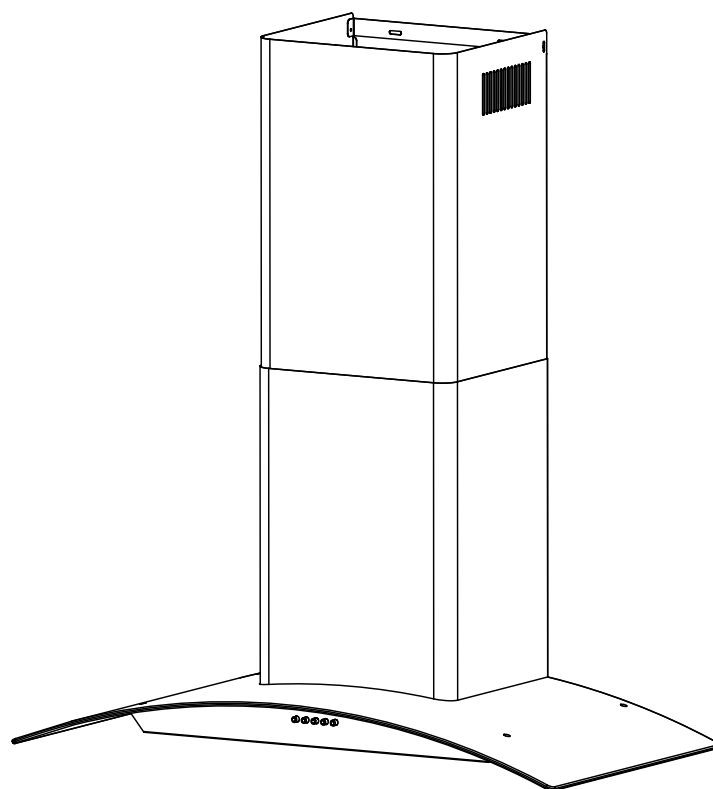


CIARRA

INSTALLATION AND USER'S MANUAL



CONTENTS

Safety -----	3-5
Specifications -----	6
Components -----	6
Installation -----	7-14
Prepare for Installation-----	7
Recommended Tools for Installation-----	8
Install the Hood-----	9-12
Activated Carbon Filter Installation-----	13-14
Operation -----	15-16
Cleaning and Maintenance -----	17-19
Motor	
Grease Filter	
Fan Blade	
Activated Carbon Filter	
Stainless Steel Cleaning	
Painted Finish Cleaning	
Bulb Replacement	
Troubleshooting -----	20
Environmental Protection -----	21

Dear customer:

Congratulations on purchasing this device. This instruction manual is designed to provide you with all required instructions related to the installation, use and maintenance of the appliance. In order to operate the unit correctly and safety, please read this instruction manual carefully before installation and usage.

The cooker hood use high quality materials, and is made with a streamlined design. Equipped with large power electric motor and centrifugal fan, it also provides strong suction power, low noise operation, non-stick grease filter and easy assembly installation.

Please note that we are constantly updating our manuals.

Due to continuous development, we reserve the right to make technical changes including errors or other aberrations without notice. This is particularly true for measurements and cut-out dimensions respectively.

Scan the QR code to get access to contact CIARRA Amazon Service if you have any question.



READ AND SAVE THESE INSTRUCTIONS

WARNING



TO REDUCE THE RISK OF FIRE, ELECTRIC SHOCK, OR INJURY TO PERSONS, OBSERVE THE FOLLOWING:



- Use this unit only in the manner intended by the manufacturer. If you have questions, contact the manufacturer at the address or telephone number listed in the warranty.
- Before servicing or cleaning unit, switch power off at service panel and lock the service disconnecting means to prevent power from being switched on accidentally. When the service disconnecting means cannot be locked, securely fasten a prominent warning device, such as a tag, to the service panel.
- Installation work and electrical wiring must be done by a qualified person(s) in accordance with all applicable codes and standards, including fire-rated construction.
- Sufficient air is needed for proper combustion and exhausting of gases through the flue (chimney) of fuel burning equipment to prevent back drafting. Follow the heating equipment manufacturer's guidelines and safety standards such as those published by the National Fire Protection Association (NFPA) and the American Society for Heating, Refrigeration and Air Conditioning Engineers (ASHRAE) and the local code authorities.
- When cutting or drilling into wall or ceiling, do not damage electrical wiring and other hidden utilities.
- Ducted fans must always be vented to the outdoors.
- Do not use this unit with any additional solid-state speed control device.
- To reduce the risk of fire, use only metal ductwork.
- This unit must be grounded.
- As an alternative, this product may be installed with the UL-approved cord kit designated for the product, following instructions packed with the cord kit.
- When applicable local regulations comprise more restrictive installation and/or certification requirements, the aforementioned requirements prevail on those of this document and the installer agrees to conform to these at his own expense.

Safety

WARNING



TO REDUCE THE RISK OF A RANGE TOP GREASE FIRE:



- 1) Never leave surface units unattended at high settings. Boil overs cause smoking and greasy spillovers that may ignite. Heat oils slowly on low or medium settings.
- 2) Always turn hood ON when cooking at high heat or when flame being food.
- 3) Clean ventilating fan frequently. Grease should not be allowed to accumulate on fan, filters or in exhaust ducts.
- 4) Use proper pan size. Always use cookware appropriate for the size of the surface element.

TO REDUCE THE RISK OF INJURY TO PERSONS IN THE EVENT OF A RANGE TOP GREASE FIRE, OBSERVE THE FOLLOWING*:

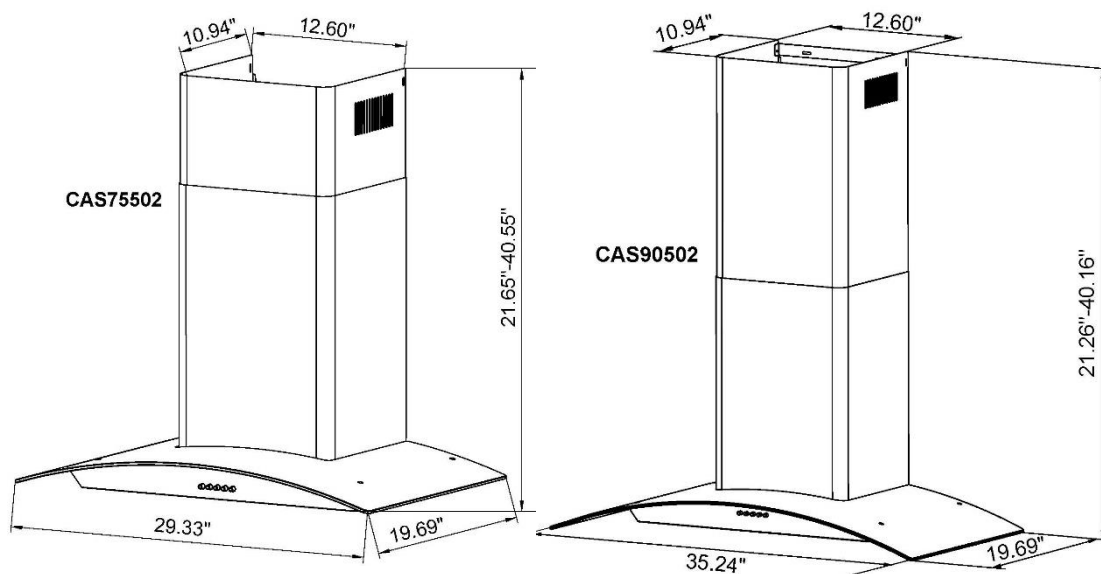
1. SMOTHER FLAMES with a close-fitting lid, cookie sheet or metal tray, then turn off the burner. BE CAREFUL TO PREVENT BURNS. IF THE FLAMES DO NOT GO OUT IMMEDIATELY, EVACUATE AND CALL THE FIRE DEPARTMENT.
2. NEVER PICK UP A FLAMING PAN — You may be burned.
3. DO NOT USE WATER, including wet dishcloths or towels — This could cause a violent steam explosion.
4. Use an extinguisher ONLY if:
 - a) You own a Class ABC extinguisher and you know how to operate it.
 - b) The fire is small and contained in the area where it started.
 - c) The fire department has been called.
 - d) You can fight the fire with your back to an exit.

* Based on “Kitchen Fire Safety Tips” published by NFPA.

CAUTION

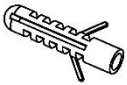









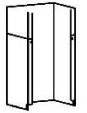
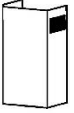
- For indoor use only.
- For general ventilating use only. Do not use to exhaust hazardous or explosive materials and vapors.
- To avoid motor bearing damage and noisy and/or unbalanced fan blade, keep drywall spray, construction dust, etc. off range hood.
- Your hood motor has a thermal overload which will automatically shut off the motor if it becomes overheated. The motor will restart when it cools down. If the motor continues to shut off and restart, have the hood serviced.
- For best capture of cooking fumes, the bottom of the hood **MUST NOT BE LESS** than 25.6" and at a maximum of 30" above the cooking surface.
- Always follows the cooking equipment manufacturer's requirements regarding the ventilation needs.
- To reduce the risk of fire and to properly exhaust air, be sure to duct air outside — Do not exhaust air into spaces within walls or ceiling or into attics, crawl space or garage.
- When installing, servicing or cleaning the unit, it is recommended to wear safety glasses and gloves.
- Please read specification label on product for further information and requirements.

Specifications



Voltage	120V/60Hz
Power of Motor	1 x 200W
Power of lamps	2 x 1.5W
Cable length	1.5M
Appliance Dimension	29.33*19.69*21.65-40.55(inch) 35.24*19.69*21.26-40.16(inch) (W x D x H)
Note: The manufacturer reserves the right to change any technological improvement or modification without prior notice.	

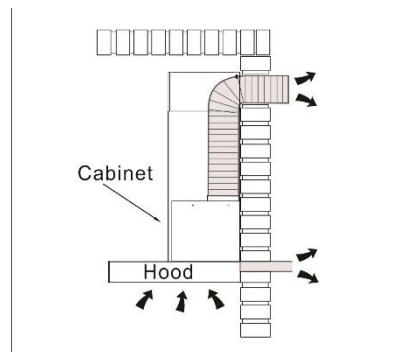
Components

No.	Description	QTY	Drawing	No.	Description	QTY	Drawing
1	Wall Plug	9		7	Lower Chimney Bracket	1	
2	0.16"*1.18" Screws	9		8	Upper Chimney Bracket	1	
3	0.16"*0.32" Screws	4		9	Wall Bracket	1	
4	Aluminum Flex Pipe	1		10	Installation Manual	1	
5	Cable Ties	2		11	Hood Body	1	
6	Lower Decorative Chimney	1		12	Upper Decorative Chimney	1	

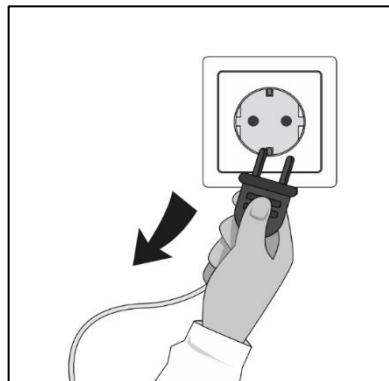
Installation

Prepare for installation:

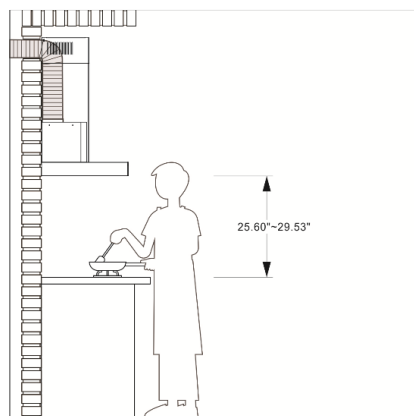
- a) If you have an outlet to the outside, your cooker hood can be connected as below picture by means of an extraction duct (enamel, aluminum, flexible pipe or inflammable material with an interior diameter of 4.72"). Choose a straight, short duct run to allow the hood to perform most efficiently. Long duct runs, elbows and transitions will reduce the performance of the hood. Use as few of them as possible. When possible, use at least 2 foot straight runs before any turns. Larger ductwork may be required for best performance with longer duct runs.



- b) Before installation, turn the unit off and unplug it from the outlet.



- c) The cooker hood should be placed at a distance of 25.6~30inches above the cooking plane for best effect.



Installation

Recommended Tools for Installation

- Measuring tape
- Phillips screwdriver no. 2
- Flat blade screwdriver (to open knockout holes)
- Drill, 1/8" drill bit and 1½" hole saw (to mark holes for ducting and cut electrical access hole)
- Wood shims (2) and wood screws (4) (required for standard installation to framed cabinet)
- Saw (to cut holes for ducted application)
- Sheet metal shears (ducted installation only, for duct adjustment)
- Pliers (ducted installation only, for duct adjustment)
- Metal foil duct tape (for ducted applications)
- Scissors (to cut metal foil duct tape)
- Pencil
- Wire stripper
- Strain relief, 1/2" diameter (to secure house wiring cable to the hood)



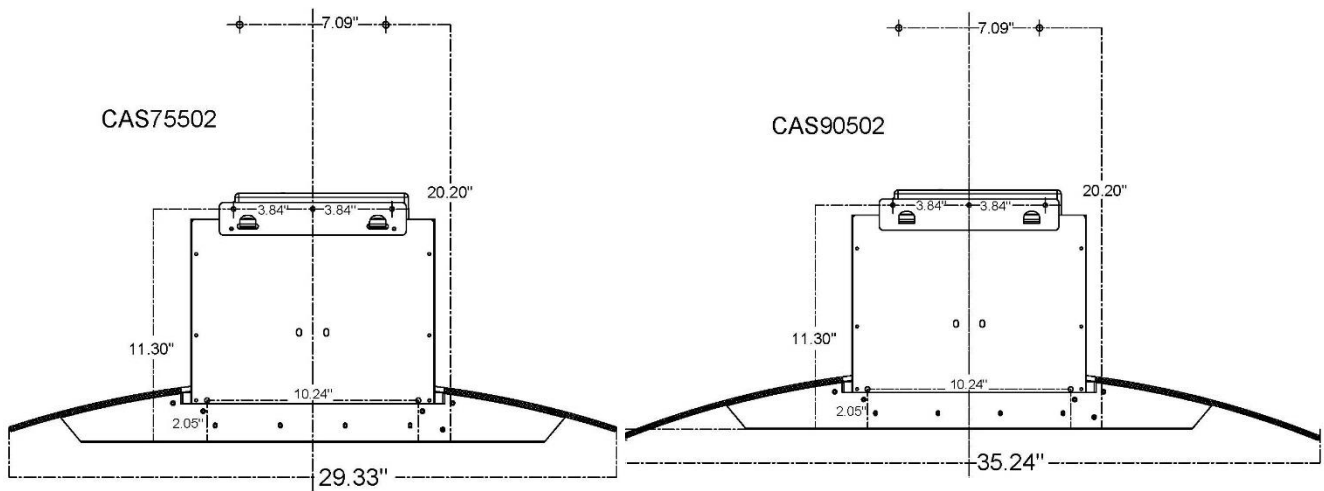
CAUTION: Before proceeding to the installation, check the contents of the box. If items are missing or damaged, contact the manufacturer.

Observe all governing codes and ordinances. Have a qualified technician install the range hood. It is the installer's responsibility to comply with installation clearances specified on the model/serial rating plate. The manufacturer declines all responsibility for improper installation and does not accept responsibility for appliance warranty in the event of damage caused by incorrect installation.

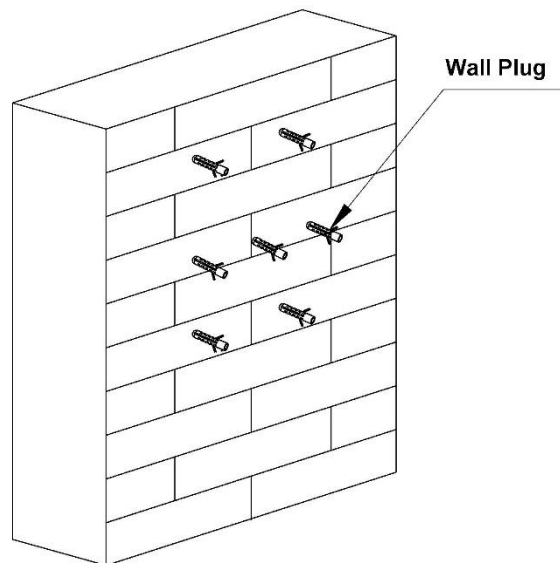
Installation

Install the Hood (VENT OUTSIDE) :

- 1) If present, remove all protective poly film from the hood and/or parts.
- 2) Below is the hole drilling installation drawing:

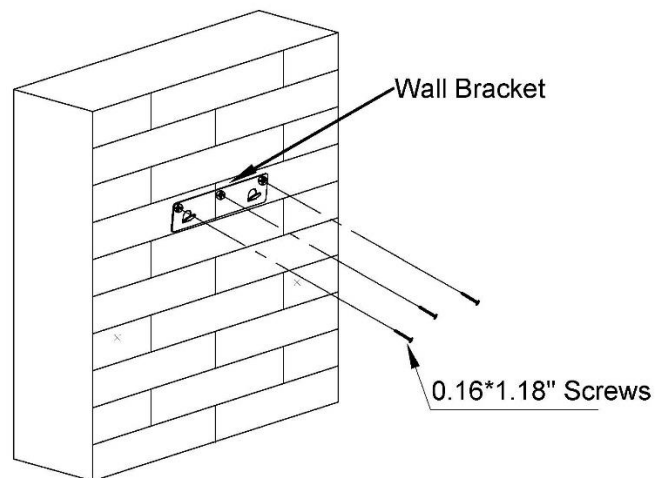


- 3) According to the 1:1 installation diagram, Drill 7* \varnothing 0.32" holes on the wall, and insertion the wall plug.

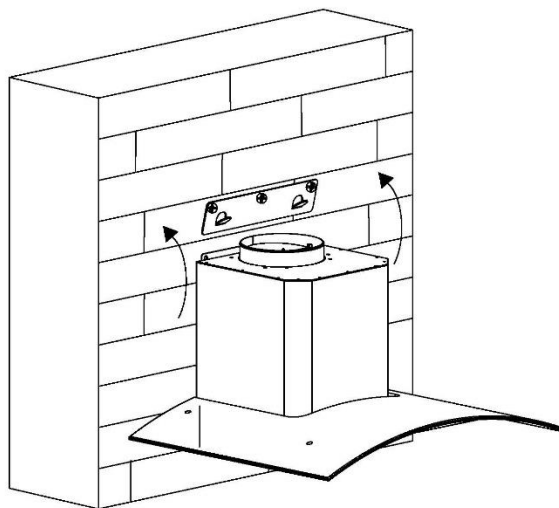


Installation

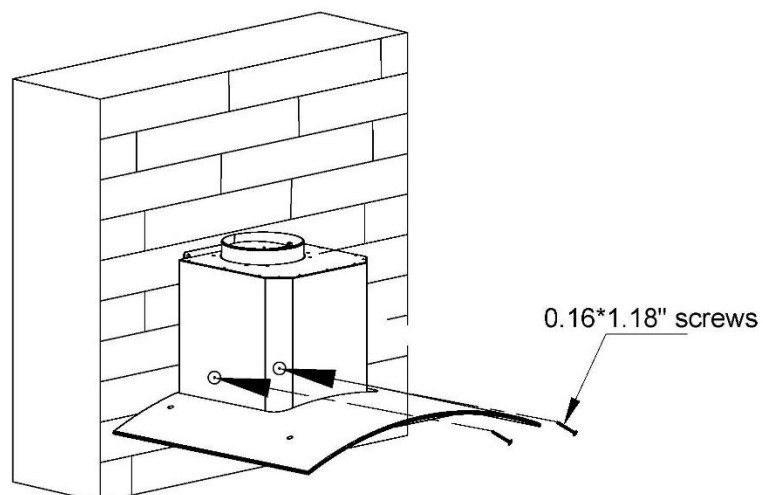
- 4) Screw and tighten the wall bracket onto the wall with the screws provided.



- 5) Hang the cooker hood onto the wall bracket.



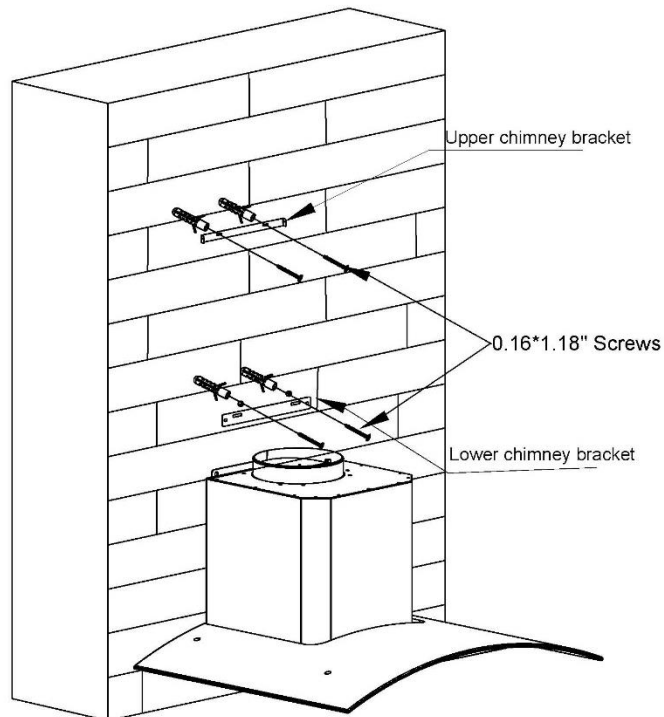
- 6) Use two 0.16* 1.18" screws to lock the corresponding positioning in the figure.



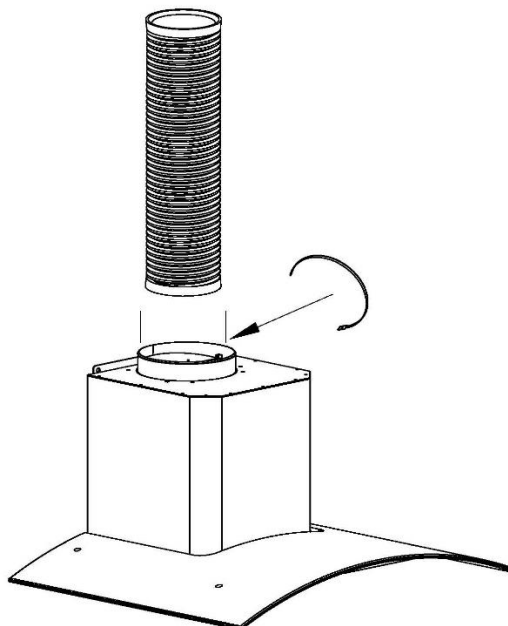
Installation

- 7) The upper and lower chimney bracket is used to fix the upper and lower decorative chimney.

Adjust the height of upper decorative chimney according to the actual situation. Mark and punch holes on the wall, then insert the wall plug. Install the upper and lower chimney bracket with 0.16*1.18" screws in the corresponding position.

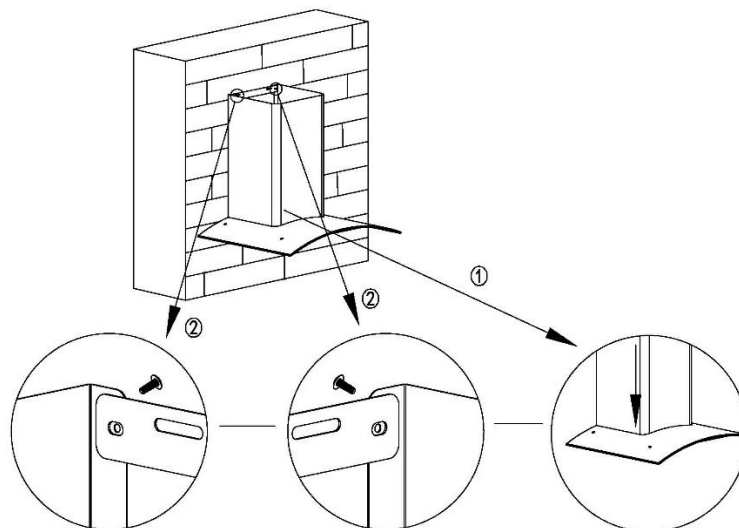


- 8) Put the Aluminum Flex Pipe on the air outlet of the cooker hood and fix the tube with the Cable Ties.

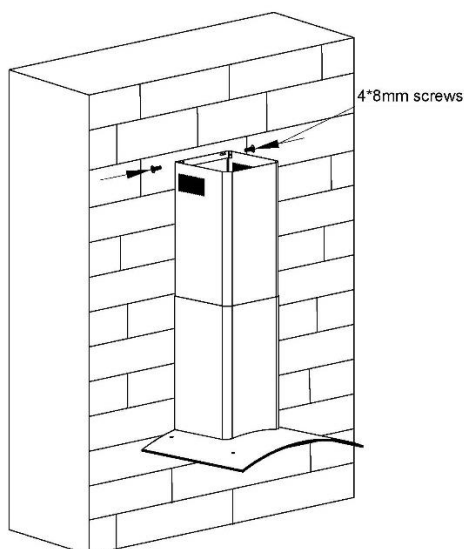


Installation

- 9) Put the lower decorative chimney into the positioning slot of the cooker hood(①);Fix the lower decorative chimney on the lower chimney bracket by 2 pcs of 0.16*0.32" screws (②).



- 10) Put the upper decorative chimney inside the lower decorative chimney. Fix the upper chimney on the upper chimney bracket by 2 screws (0.16x0.32").



NOTE:

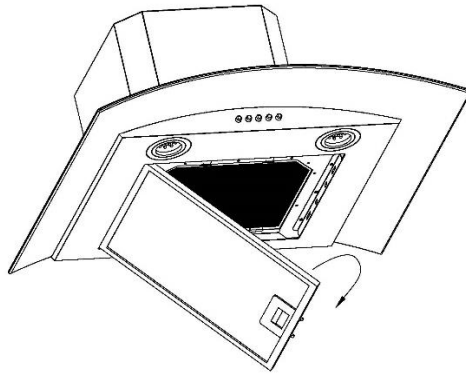
- Connect ductwork to hood and use metal foil duct tape to make joints secure and air-tight.
- Make sure the damper assembly (or round duct plate) enters the ductwork and that the damper opens and closes freely.

Installation

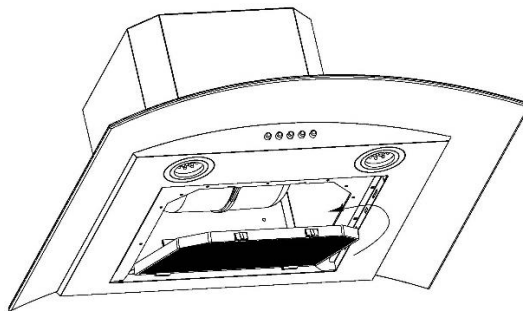
Activated Carbon Filter Installation (VENT INSIDE) :

If you do not have an outlet to the outside, exhaust pipe is not required and the installation is similar to the one shown in section “Installation (Vent outside)”

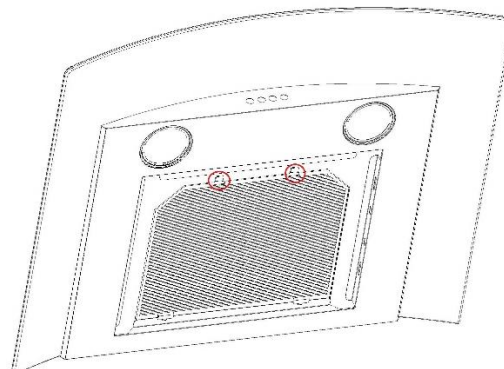
1. Activated carbon filter can be used to trap odors.
In order to install the activated carbon filter, the grease filter should be detached first. Press the lock and pull it downward.



2. Insert the activated carbon filter into the specified position of the cooker hood as shown below (Note the differences between the front and back and the direction of the activated carbon filter), then push inside the cooker hood.

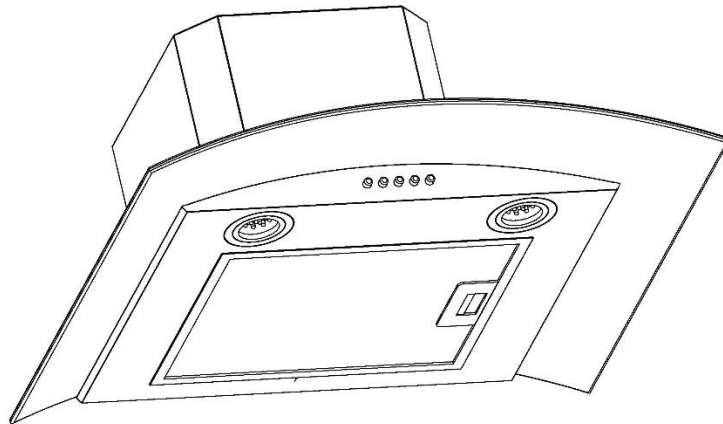


3. Push the two lock catches on the activated carbon filter into the specified position (as shown below).

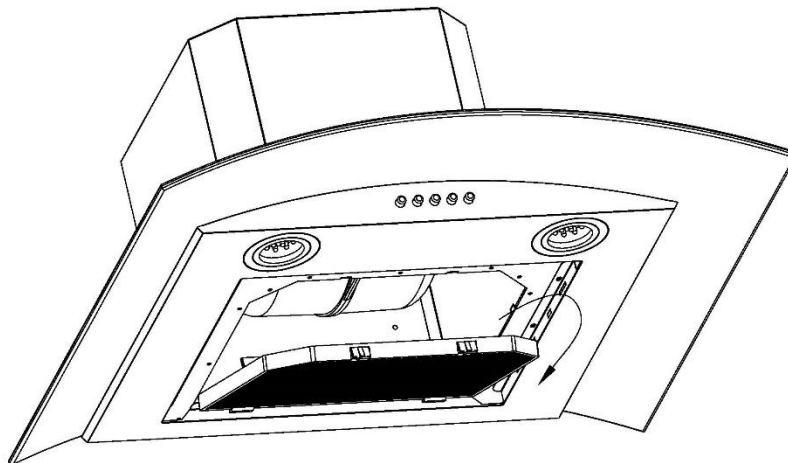


Installation

4. Install the grease filter.



5. If need to replace, press on the lock catches and pull the activated filter, then follow the steps above to install a new activated carbon filter.



NOTE:

- Make sure the filter is securely locked. Otherwise, it would loosen and cause dangerous.
- When activated carbon filter attached, the suction power will be lower.
- The activated carbon filter should be changed every 3 months depending on the conditions of us.

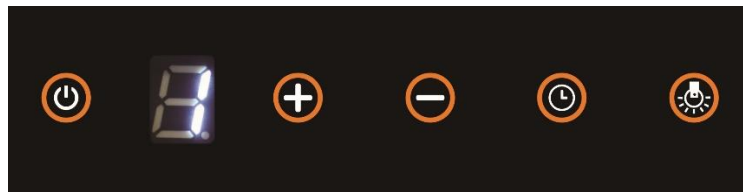
Operation

Always turn your hood on before you begin cooking to establish an air flow in the kitchen.

Let the blower run for a few minutes to clear the air after you turn off the range. This will help keep the whole kitchen cleaner and fresher.

Touch control

Operate the hood as follows:



Power key:

after turning on show all function key drawing, Logo backlight also lighten(always show orange color light in out-ring).



Added level key:

Indicator show level adjustment 1-2-3-0-1, Show 0 for turning off, Loosen hand turn off orange color out-ring delay 5 seconds.



Reduced level key:

Indicator show level adjustment 3-2-1-0-3, Show 0 for turning off, Loosen hand and delay 5 seconds turn off orange color out-ring.



Turn on/off Switch key:

When light work, show orange color out-ring, when turn off light, orange color out-ring turn off.

Operation



Delay function:

When cooker hood working, could set delay function.

Push first time and indicator show 1, for delaying 5 minutes;

Push second time and indicator show 2, for delaying 10 minutes;

Push third time and indicator show 3, for delaying 15 minutes;

Push fourth time and indicator show 4, for delaying 20 minutes;

Push fifth time and indicator show 0, after 5 seconds in level 0 and drop out delay function automatically.

When setting delay function for level 1-4, indicator blink, after 5 seconds confirm working automatically, After confirming work jump to motor level showing automatically, when delay function work, always show orange color out-ring. When need to check delay level, shortly push one time delay key, show current working level. When delay time is up, turn off all function automatically.



Setting clean & fresh function:

After turning on, push delay key 3 seconds, go into clean & fresh function, delay key orange color out-ring blink, cooker hood go into one level clean&fresh function and not influence on function operation, same method could used for turn off clean & fresh function, turn off delay key orange out-ring not blink.



Motor work about 90 hours and remind cleaning filter, show that remind decimal point blink slowly in indicator lower right. Long push timer key 5 seconds and cancel reminder, turn off decimal point, now working, record time again.

Motor work about 270 hours, decimal point light for long time in indicator lower right, remind changing filter, long push delay key 5 seconds and cancel reminder, turn off decimal point, record time again.

Cleaning and Maintenance

Proper maintenance of the Range Hood will assure proper performance of the unit.

MOTOR

The motor is permanently lubricated and never needs oiling. If the motor bearings make excessive or unusual noise, replace the motor with the exact service motor. The fan blade should also be replaced.

GREASE FILTERS

The grease filters should be cleaned frequently. Use a warm dishwashing detergent solution. Grease filters are dishwasher safe.

Clean all-metal filters in the dishwasher using a non-phosphate detergent. Discoloration of the filters may occur if using phosphate detergents, or as a result of local water conditions - but this will not affect filter performance. This discoloration is not covered by the warranty. To minimize or prevent discoloration, hand wash filters using a mild detergent.

FAN BLADE

The fan blade should be cleaned frequently. Use a clean cloth soaked with warm detergent solution.

ACTIVATED CARBON FILTER

The activated carbon filter should be changed every 3 months depending on the conditions of use. Replace more often if your cooking style generates extra grease, such as frying and wok cooking. These filters are not washable and cannot be restored. Refer to installation instructions included with activated carbon filter.

STAINLESS STEEL CLEANING

Do:

- Regularly wash with clean cloth or rag soaked with warm water and mild soap or liquid dish detergent.
- Always clean in the direction of original polish lines.
- Always rinse well with clear water (2 or 3 times) after cleaning. Wipe dry completely.
- You may also use a specialized household stainless steel cleaner.

Cleaning and Maintenance

Don't:

- Use any steel or stainless steel wool or any other scrapers to remove stubborn dirt.
- Use any harsh or abrasive cleansers.
- Allow dirt to accumulate.
- Let plaster dust or any other construction residues reach the hood. During construction/ renovation, cover the range hood to make sure no dust sticks to the stainless steel surface.

Avoid when choosing a detergent:

- Any cleaners that contain **bleach** will attack stainless steel.
- Any products containing: **chloride, fluoride, iodide, bromide** will deteriorate surfaces rapidly.
- Any combustible products used for cleaning such as **acetone, alcohol, ether, benzol**, etc., are highly explosive and should never be used close to a range.

PAINTED FINISH CLEANING:

Clean with warm water and mild detergent only. If discoloration occurs, use a finish polish such as automotive polish. (DO NOT use rough abrasive cleaner or porcelain cleaner.)

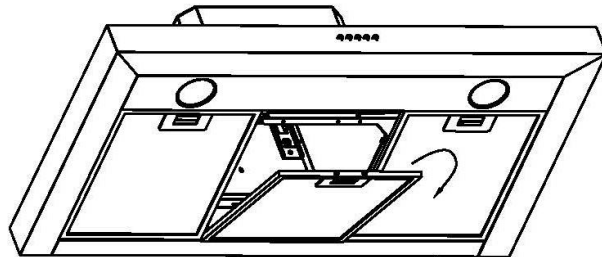
LED REPLACEMENT

- **Circular/ Rectangle LED lamp:**

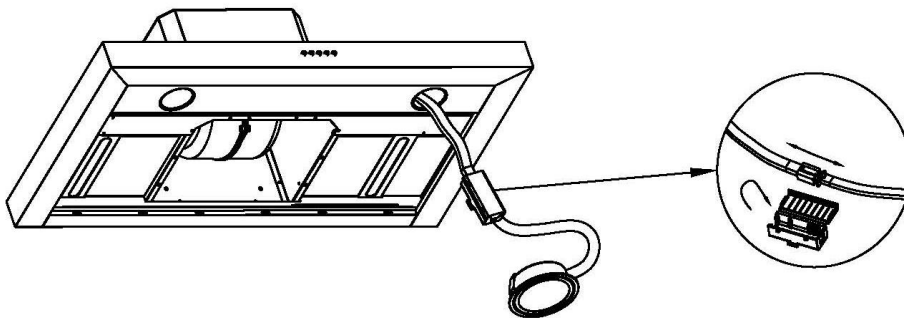


Cleaning and Maintenance

1. If need to replacement the LED lamp, the grease filter should be detached first. Press the lock and pull it downward.



2. Push the LED lamp holder out from the cabinet by hand, pull out the LED lamp and the wire together, open the power protection cover, pull out the plug and replace the LED lamp of the corresponding model.



CAUTION:

Before cleaning or repairing and replacing accessories, please make sure to shut down the power before operation, so as to avoid electric shock, damage to human body and even endanger life safety!

Troubleshooting

Problem	Possible Cause	Solution
Extractor hood does not function	No electrical supply	Check that plug is connected and main power switch is turned on
Poor airflow	Grease filters clogged with grease build-up	Clean the grease filters and refit when dry
	Charcoal filters clogged with grease build-up	Replace charcoal filters with new sets
Hood suction is not effective	Inadequate ventilation	Ensure that the kitchen is sufficiently ventilated to allow entry of fresh air
	Charcoal filters are not installed	Install charcoal filters for setting in recirculation mode
Motor is running but no airflow	Poor exhaust	Please contact CIARRA Customer Care Service
Whirring sound	Foreign object may be in contact with fan blade	Please contact CIARRA Customer Care Service
Lights are not working	Light bars are blown out	Replace the damaged light
	Light bar connection are loose	Reset the connection

If problem persists after the above checks, please contact CIARRA Customer Care Centre for assistance.

Environmental protection

Waste electrical products should not be disposed of with household waste. Please recycle where facilities exist. Check with your Local Authority or retailer for recycling advice.



By ensuring this product is disposed of correctly, you will help prevent potential negative consequences for the environment and human health, which could otherwise be caused by inappropriate waste handling of this product.

The symbol on the product indicates that this product may not be treated as household waste. Instead it shall be handed over to the applicable collection point for the recycling of electrical and electronic equipment.

Disposal must be carried out in accordance with local environmental regulations for waste disposal.

For more detailed information about treatment, recovery and recycling of this product, please contact your local city office, your household waste disposal service or the shop where you purchased the product.

