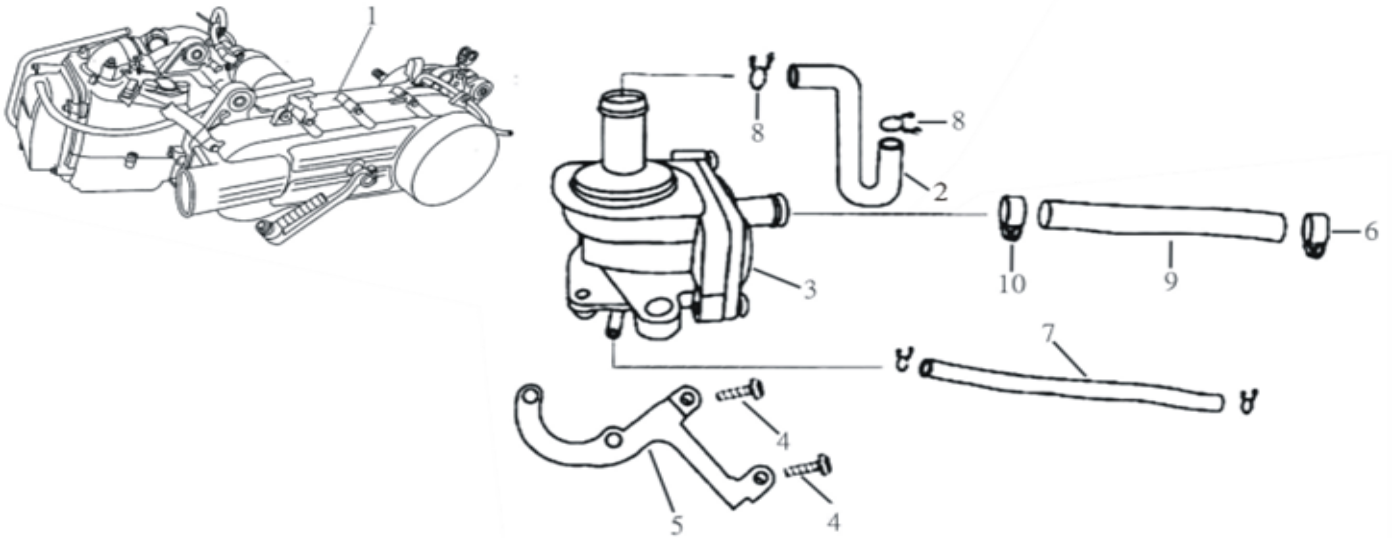


LISTA RICAMBI EAGLE 50CC - MOTORE

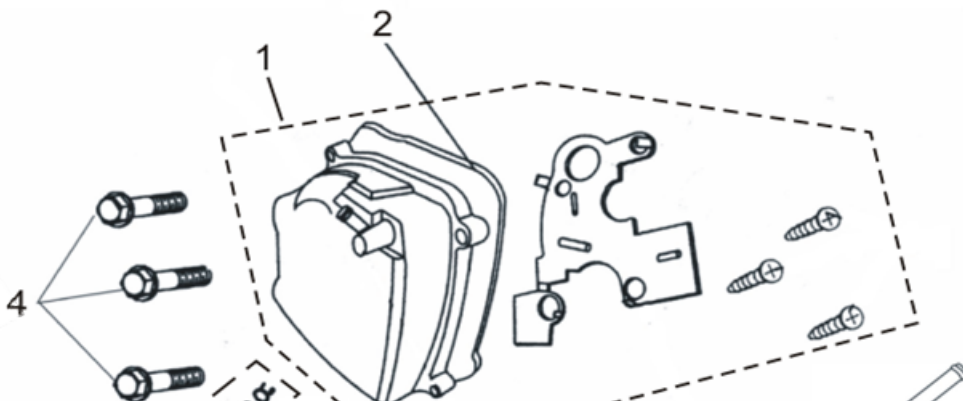
ENGINE



NO.	PART CODE	DESCRIPTION	QTY	NOTE
1	10100-GY39-0000	ENGINE ASSEMBLY	1	
2	18656-GT10-0000	JOINT PIPE.AIR FILTER	1	
3	1880A-GT10-0000	FILL VALVE,SECONDARY AIR	1	
4	96001-06018-000	FLANG BOLT M6 X 18	2	
5	18136-GT10-0000	INSTALLING PLATE,FILL VALVE	1	
6	95002-GT10-0000	TUBE CLIP 17	2	
7	18657-GT10-0000	VACUUM PIPE	1	
8	95002-18000-000	TUBE CLAMP	2	
9	18658-GT10-000	JOINT PIPE	1	
10	95002-15000-000	TUBE CLIP 15	1	
	10110-GY39-0000	carburator	1	

24

CYLINDER HEAD COVER

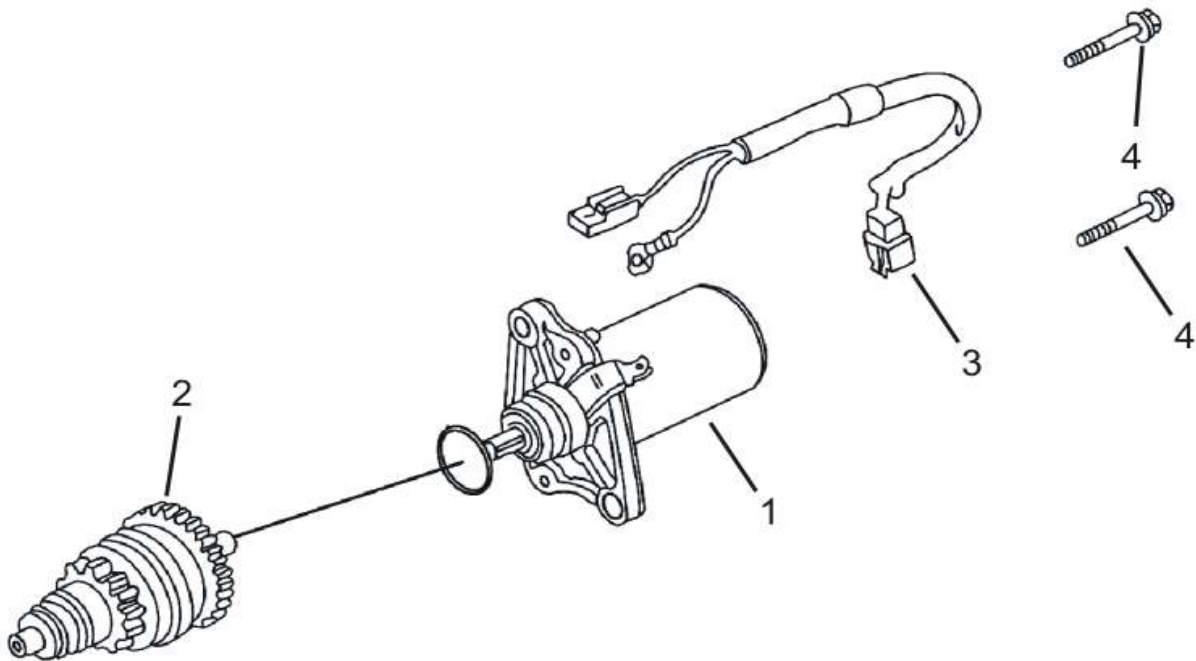




NO.	PART CODE	DESCRIPTION	QTY	NOTE
1	12310-GY39-0000	CYLINDER HEAD COVER	1	
2	12391-GY39-0000	WASHER,CYLINDER HEAD COVER	1	
3	11211-GY39-0000	VENT PIPE	1	
4	95701-06025-080	FLANGE BOLT M6*25(CHROME)	4	
5	18647-GY39-0000	STEEL PIPE	1	
6	18645-GY39-0000	WASHER,STEEL PIPE	1	

25

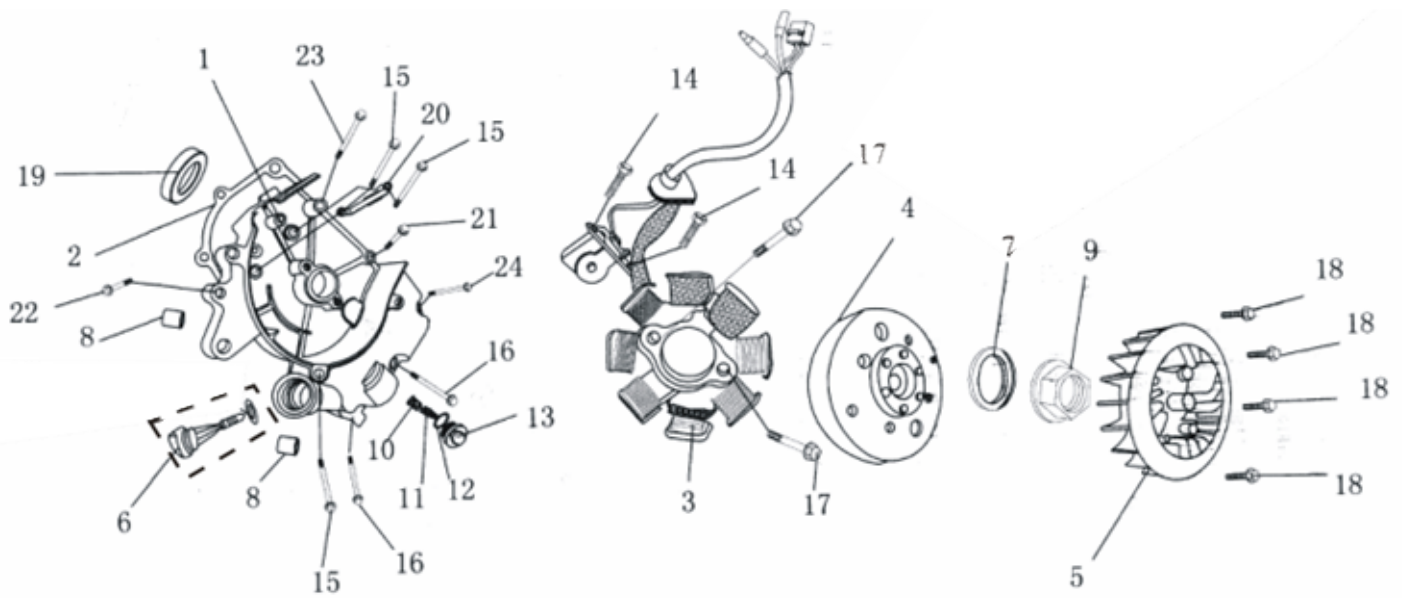
START MOTOR



NO.	PART CODE	DESCRIPTION	QTY	NOTE
1	31210-GY39-0000	STARTER MOTOR ASSY	1	
2	31209-GY39-0000	PINNION ASSY STARTER	1	
3	32410-GY39-0000	CABLE START MOTOR	1	
4	96001-06020-000	FLANGE BOLT M6*20	1	

26

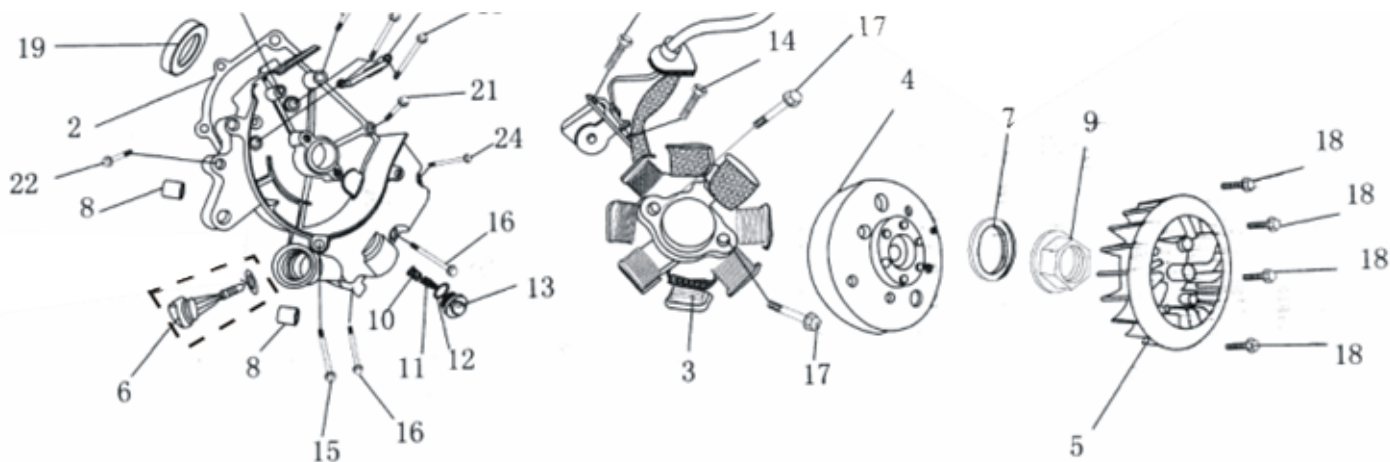
MAGNETO



NO.	PART CODE	DESCRIPTION	QTY	NOTE
1	11331-GY39-0000	R.CRANKCASE COVER	1	
2	11394-GY39-0000	GASKET,R.CRANKCASE COVER	1	
3	31120-GY39-0080	COIL ASSY	1	
4	31110-GY39-0080	FLY WHEEL ASSY	1	
5	19510-GY39-0000	FAN	1	
6	1565A-GY39-0000	OIL RULE(WITH O-RING)	1	
7	90440-GY39-0000	WASHER 12(BLACK)	1	
8	94301-08014-000	LOCATING DEWEL 8*14	2	
9	94050-12080-000	FLANGE NUT M12	1	
10	15421-GY39-0000	OIL FILTER	1	
11	15426-GY39-0000	SPRING,OIL FILTER	1	
12	91302-GY39-0000	O-RING 30.8*3	1	
13	12361-GY39-0000	OIL DRAIN CAP	1	
14	90101-05012-000	HEX.FLANGE BOLT M5*12	2	
15	96001-06095-080	FLANGE BOLT M6*95	3	
16	96001-06110-080	FLANGE BOLT M6*110(CHROME)	2	
17	96001-06022-080	FLANGE BOLT M6*22	2	
18	96001-06018-080	FLANGE BOLT M6*18	4	
19	91201-19830-050	OIL SEAL 19.8*30*5	1	
20	32961-GY39-0000	LINE CLAMP,MAGNETO	1	

MAGNETO

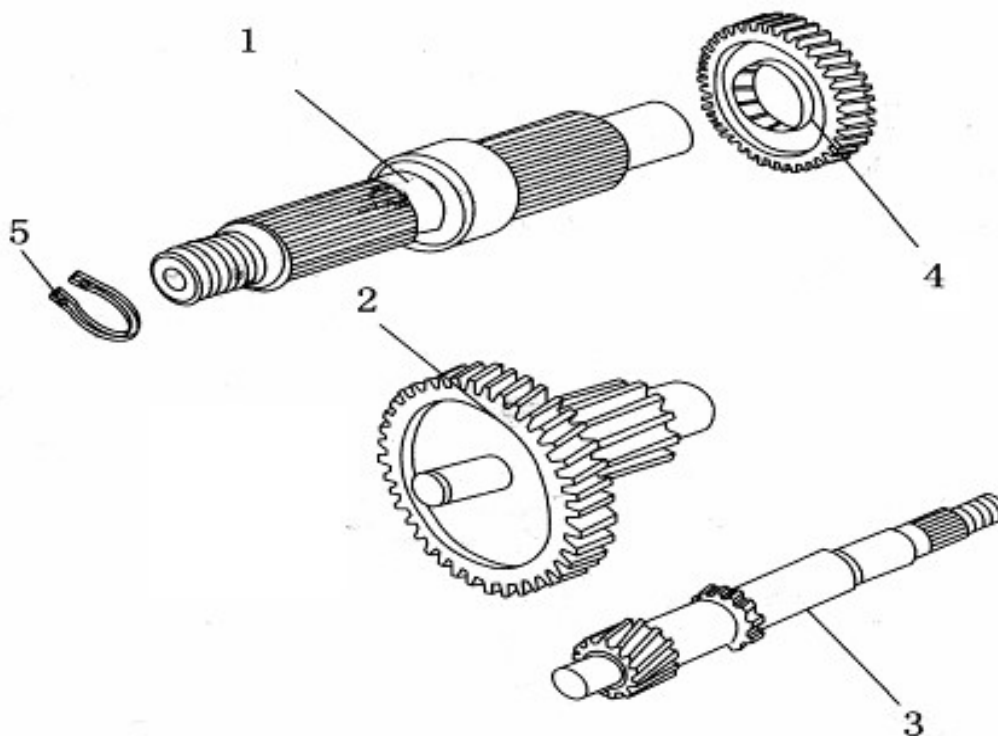




NO.	PART CODE	DESCRIPTION	QTY	NOTE
21	96001-06032-080	FLANGE BOLT M6*32(CHROME)	1	
22	96101-06035-000	HEX.FLANGE BOLT M6*35	1	
23	96001-06100-080	FLANGE BOLT M6*100	1	
24	96001-06095-080	FLANGE BOLT M6*95(CHROME)	1	

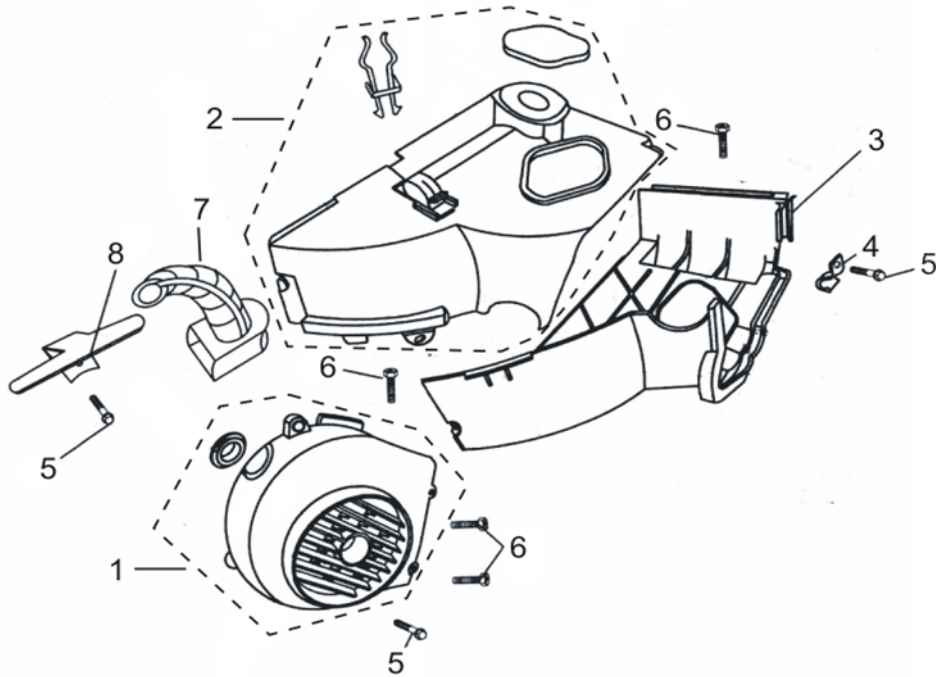
28

DECELERATION GEAR



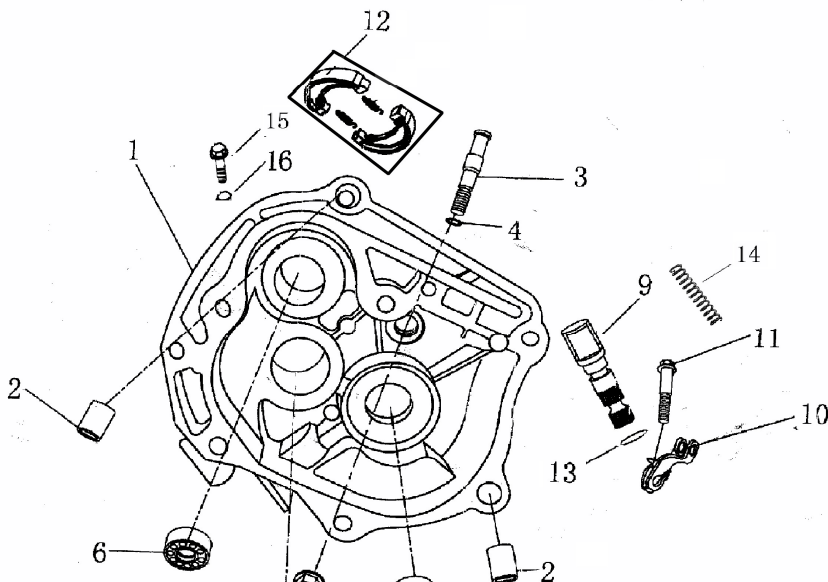
NO.	PART CODE	DESCRIPTION	QTY	NOTE
1	23431-GY39-0000	FINAL SHAFT	1	
2	23420-GY39-0000	AUXILIARY SHAFT COMP.	1	
3	23411-GY39-0000	DRIVE SHAFT	1	
4	23432-GY39-0000	FINAL GEAR	1	
5	94510-19000-000	CIR CLIP EXTERNAL 19*1	1	

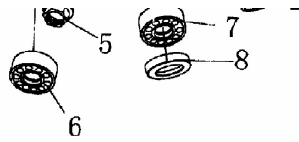
FAN COVER



NO.	PART CODE	DESCRIPTION	QTY	NOTE
1	1961A-GY39-0000	COOLING FAN COVER(WITH RUBBER PLUG)	1	
2	1963A-GY39-0000	UPPER COVER(WITH GASKET)	1	
3	1962A-GY39-0000	LOWER COVER(WITH GASKET)	1	
4	19621-GY39-0000	CLAMP,OIL HEADER	1	
5	96001-06025-080	FLANGE BOLT M6*25(WHITE)	3	
6	19635-GY39-0000	CROSS HEAD,HEX.SCREW M5*16(BLACK)	4	
7	19611-GY39-0000	COOLING TUBE,CARBURETOR	1	
8	19634-GY39-0000	CLAMP,MOTOR LINE	1	

REAR GEAR BOX

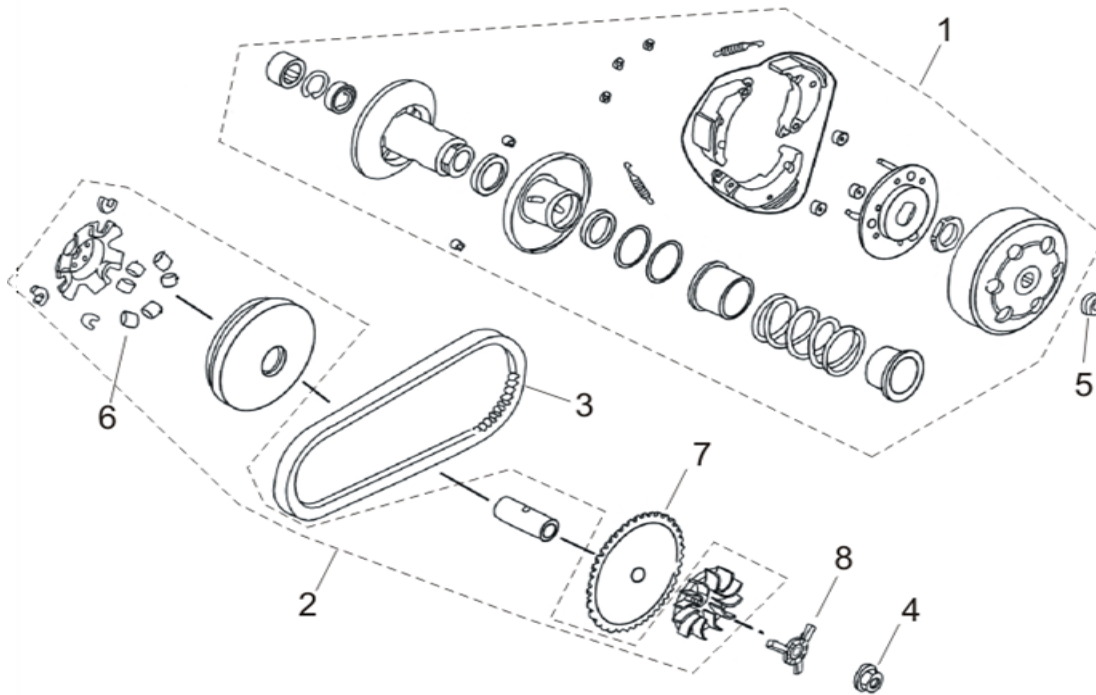




NO.	PART CODE	DESCRIPTION	QTY	NOTE
1	21200-GY39-0000	COVER,GEAR CASE	1	
2	94301-10020-000	POSITION PIN 10*20	2	
3	11204-GY39-0000	SUPPORT SHAFT,BRAKE SHOES	1	
4	91301-GY39-0000	O-RING 7.5*1.5	1	
5	90309-08000-000	LOCKNUT M8	1	
6	96100-62010-000	BEARING 6201	2	
7	96100-60040-000	BEARING 6004	1	
8	91202-27427-000	OIL SEAL 27*42*7	1	
9	43141-GY39-0000	CAMSHAFT, REAR BRAKE	1	
10	43410-GY39-0000	ROCKER,REAR BRAKE	1	
11	96001-06032-000	FLANGE BOLT M6*32	1	
12	4312A-GY39-0000	REAR BRAKE SHOES COMP	1	
13	91301-01113-000	O-RING 11.3×1.3	1	
14	11261-GY39-0000	BRAKE ARM SPRING	1	
15	95701-08012-000	BOLT M8*12	1	
16	90474-08000-000	WASHER φ8	1	

31

DRIVEN PULLEY

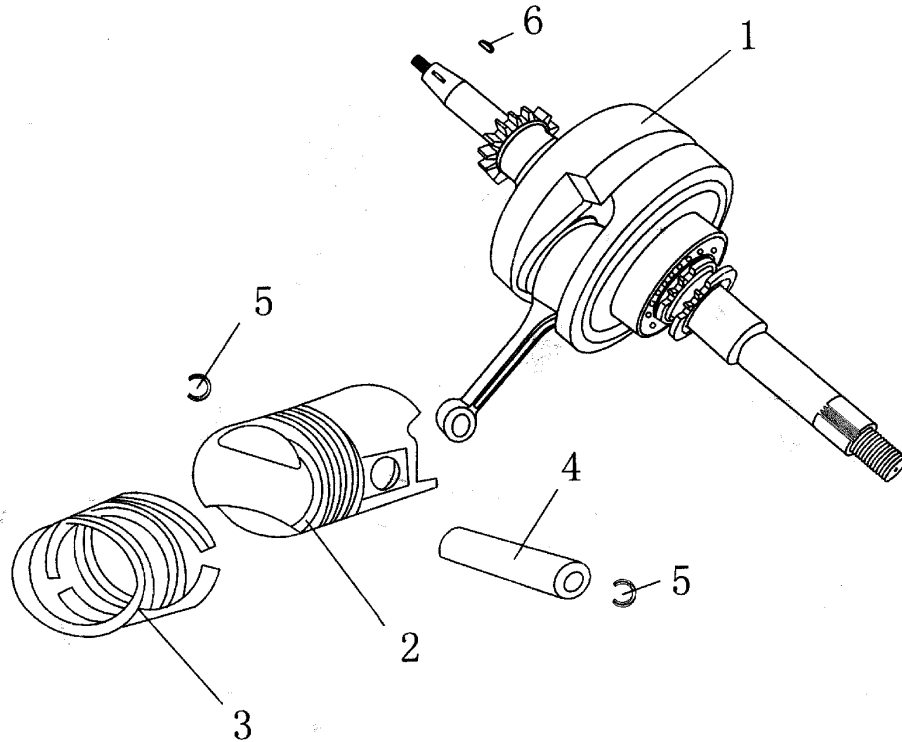


NO.	PART CODE	DESCRIPTION	QTY	NOTE
1	2301A-GY39-0000	DRIVENPULLEY ASSY	1	
2	2210A-GY39-0000	DRIVING PULLEY ASSY	1	

3	23100-GY39-0000L	DRIVING BELT (LONG)	1	
3	23100-GY39-0000S	DRIVING BELT (SHORT)	1	
4	94050-12080-000	FLANGE NUT M12*1.25	1	
5	94050-10080-000	FLANGE NUT M10*1.25	1	
6	22121-GY39-0000	ROLLER COMP WEIGHT	6	
7	23200-GY39-0000	ELECTRIC START GEAR	1	
8	28211-GY39-0000	RATCHET, KICK START	1	

32

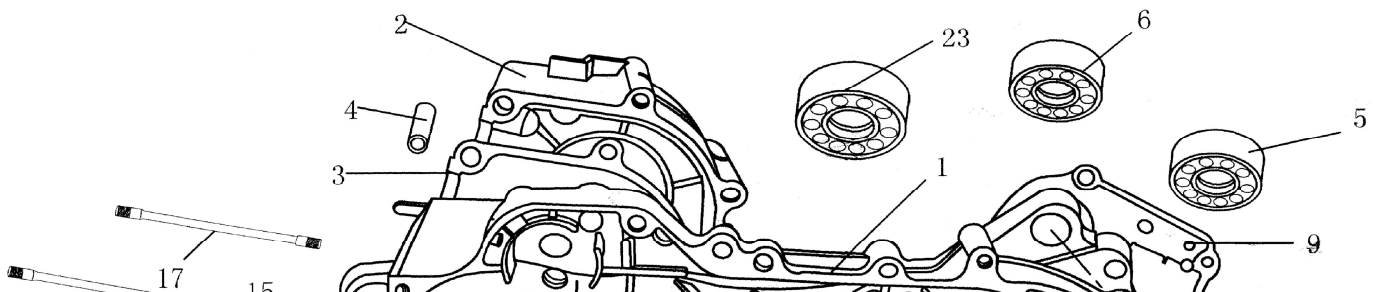
CRANKSHAFT & CONNECT ROD

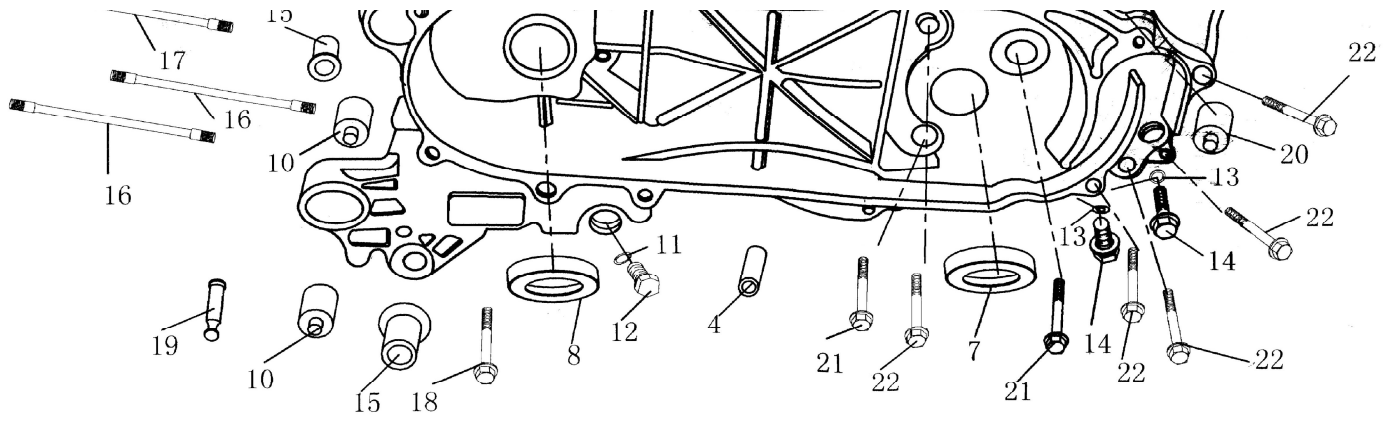


NO.	PART CODE	DESCRIPTION	QTY	NOTE
1	13000-GY39-0000	CRANKSHAFT&CONNECT ROD ASSEMBLY.	1	
2	13101-GY39-0000	PISTON	1	
3	13011-GY39-0000	PISTON RING COMP.	1	
4	13111-GY39-0000	PISTON PIN	1	
5	94601-GY39-0000	CLOSING RING,PISTON PIN	2	
6	90701-GY39-0000	WOODRUFF KEY	2	

33

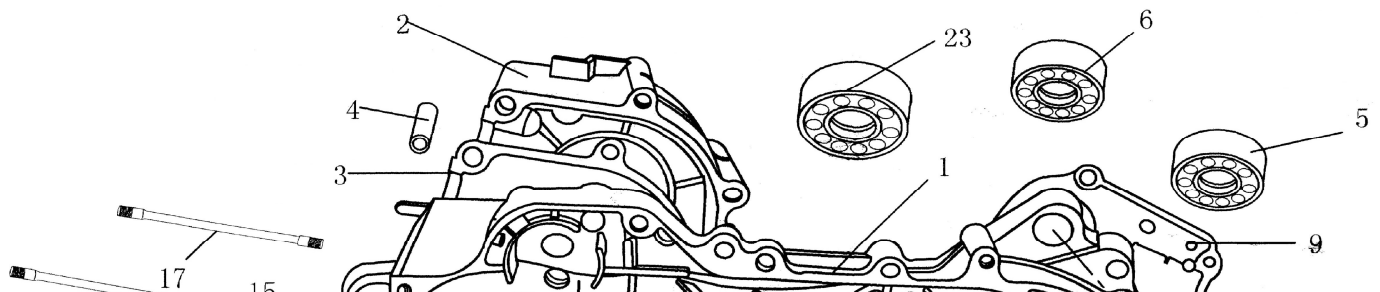
CRANKCASE

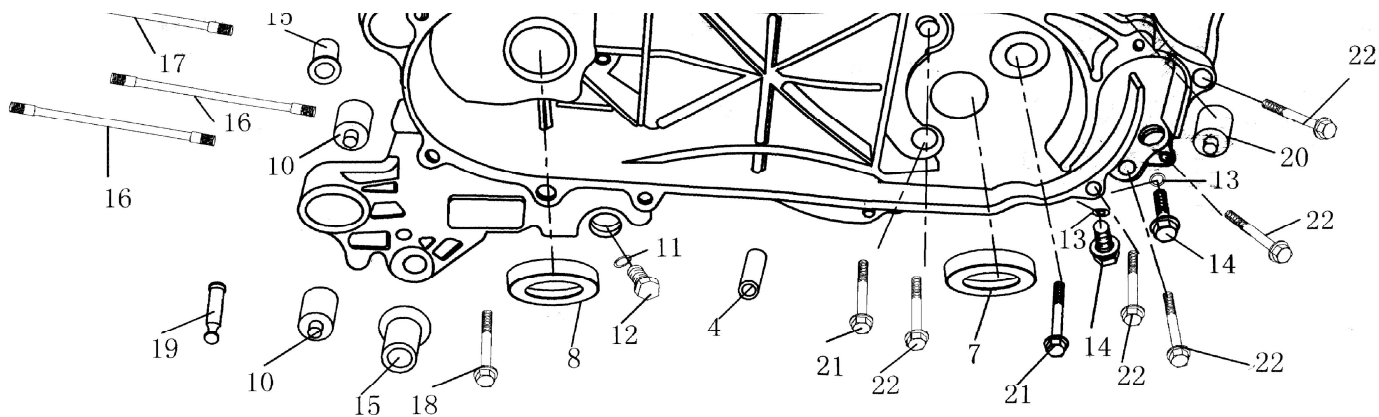




NO.	PART CODE	DESCRIPTION	QTY	NOTE
1	11200-GY39-0000L	LEFT CRANKCASE(LONG)	1	
1	11200-GY39-0000S	LEFT CRANKCASE(SHORT)	1	
2	11100-GY39-0000L	RIGHT CRANKCASE (LONG)	1	
2	11100-GY39-0000S	RIGHT CRANKCASE(SHORT)	1	
3	11192-GY39-0000L	GASKET,CRANKCASE (LONG)	1	
3	11192-GY39-0000S	GASKET,CRANKCASE(SHORT)	1	
4	94301-08014-000	DOWEL PIN8*14(φ6.5)	2	
5	96100-62030-000	BEARING 6203	1	
6	96100-62010-000	BEARING 6201	1	
7	91202-17305-000	OIL SEAL 17*30*5	1	
8	91202-20305-000	OIL SEAL 19.8*30*5	1	
9	21395-GY39-0000	GASKET,DECELERATION GEAR CASE	1	
10	11102-GY39-0000	BUSHING	2	
11	90521-12000-000	ALUMINUM WASHER 12	1	
12	9052A-GY39-0000	DISCHARGE BOLT 12*15	1	
13	90474-08000-000	WASHER 8	2	
14	96001-08016-000	FLANGE BOLT M8*16	2	
15	50502-GY39-0000	BUSHING	2	
16	90032-07176-000	STUD BOLT M7*176	2	
17	90031-07168-000	STUD BOLT M7*168	2	
18	96001-06045-000	FLANGE BOLT M6*45	1	
19	11205-GY39-0000	SPRING FIXER	1	
20	11203-GY39-0000	BUSHING	1	

CRANKCASE

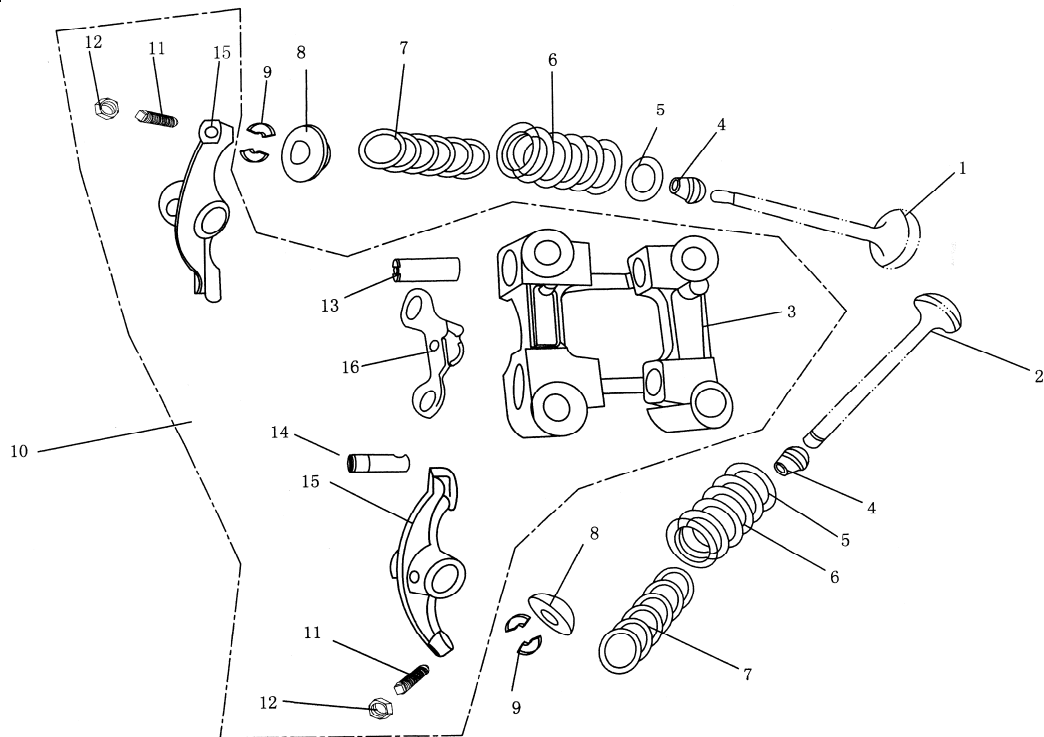




NO.	PART CODE	DESCRIPTION	QTY	NOTE
21	96001-08035-000	FLANGE BOLT M8*35	2	
22	96001-08040-000	FLANGE BOLT M8*40	5	
23	96100-62030-000	BEARING 6203X1	1	

35

AIR MACHINE

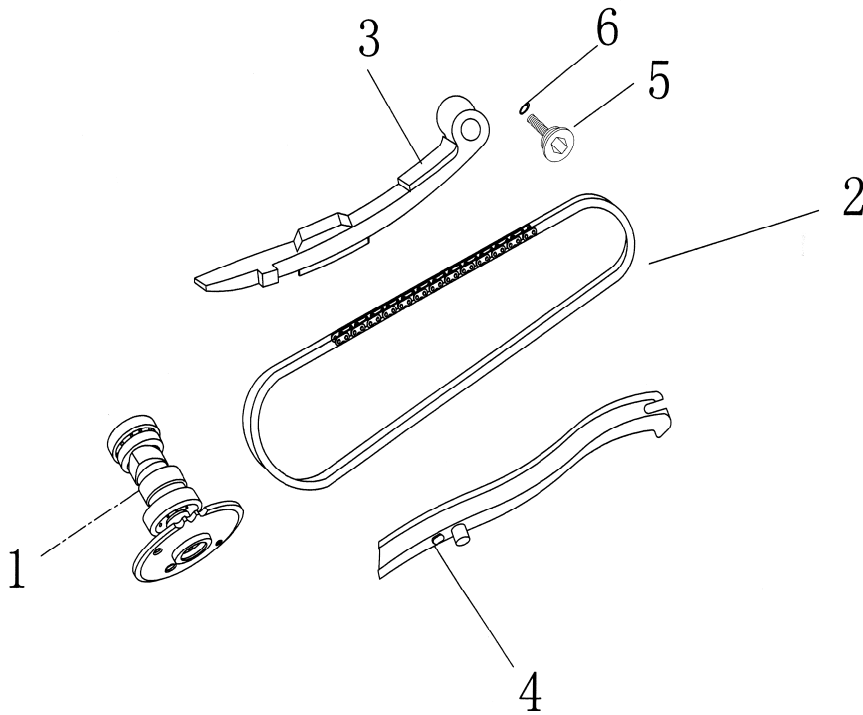


NO.	PART CODE	DESCRIPTION	QTY	NOTE
1	14711-GY39-0000	INLET VALVE	1	
2	14721-GY39-0000	EXHAUSE VALVE	1	
3	12211-GY39-0000	HOLDER OF ROCKER	1	
4	12209-GY39-0000	VALVE OIL SEAL	2	
5	14775-GY39-0000	VALVE SPRING SEAT	2	
6	14751-GY39-0000	VALVE OUTER SPRING	2	
7	14761-GY39-0000	VALVE INNER SPRING	2	
8	14771-GY39-0000	VALVE SPRING TRAY	2	
9	14781-GY39-0000	VALVE LOCK CLAMP	4	

10	1220A-GY39-0000	VALVE ROCKER SEAT ASSY.	2	
11	90012-GY39-0000	ADJUSTING SCREW,VALVE	2	
12	90206-GY39-0000	ADJUSTING LOCKNUT,VALVE	2	
13	14450-GY39-0000	ROCKER SHAFT,EXHAUST VALVE	1	
14	14452-GY39-0000	ROCKER SHAFT,INLET VALVE	1	
15	14431-GY39-0000	ROCKER	2	
16	14460-GY39-0000	DECOMPRESSION LOCK PLATE COMP.	1	

36

TIMING CHAIN,TENSIONER

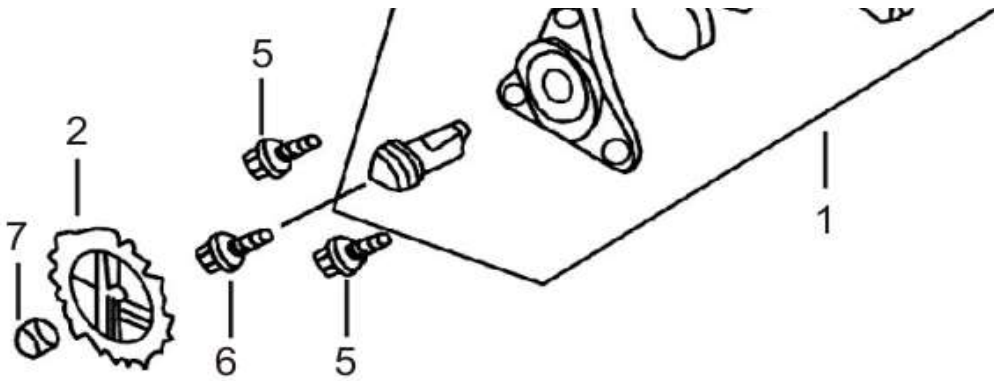


NO.	PART CODE	DESCRIPTION	QTY	NOTE
1	14100-GY39-0000	CAM GEAR COMP.	1	
2	14401-GY39-0000	TIMING CHAIN	1	
3	14510-GY39-0000	CHAIN TENSION STUD	1	
4	14610-GY39-0000	CHAIN GUIDED ROD	1	
5	14531-GY39-0000	SCERW,CHAIN TENSION STUD(WITH O-RING)	1	
6	90308-GY39-0000	O-SEAL 15*1.5	1	

37

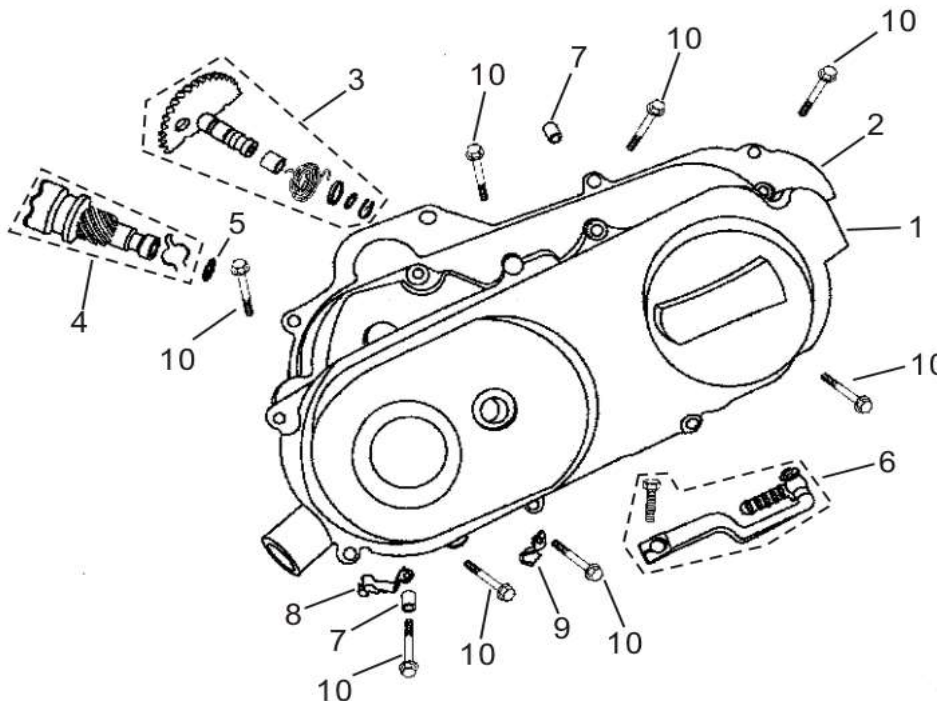
OIL PUMP





NO.	PART CODE	DESCRIPTION	QTY	NOTE
1	15100-GY39-0000	OIL PUMP ASSY	1	
2	15133-GY39-0000	DRIVEN GEAR,OIL PUMP	1	
3	91301-09160-000	O-RING 9*1.6	2	
4	94301-08012-000	DOWEL PIN 8*12	1	
5	96001-06020-000	FLANGE BOLT M6*20	2	
6	96001-06025-000	FLANGE BOLT M6*25	1	
7	94050-06080-000	NUT M6	1	

LEFT COVER

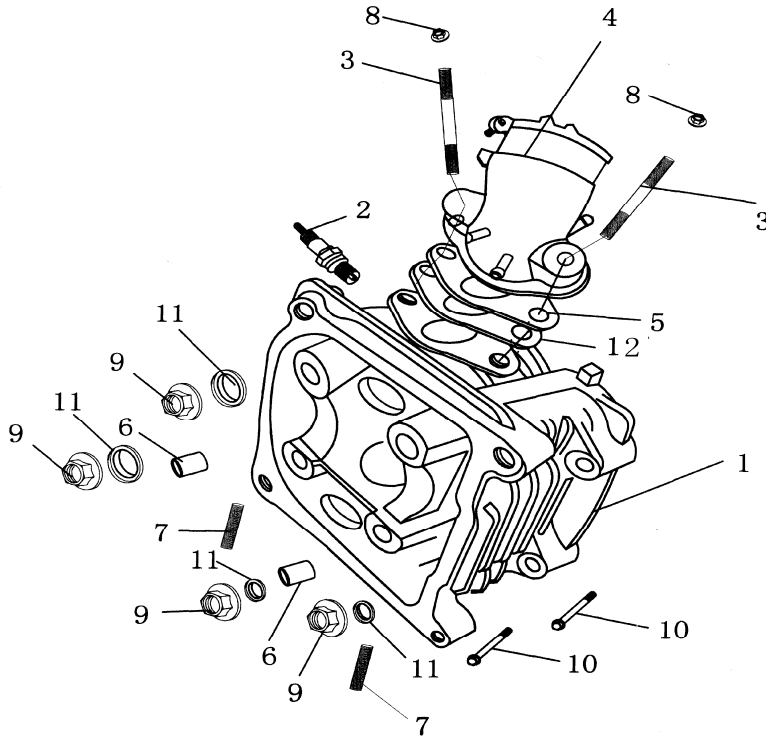


NO.	PART CODE	DESCRIPTION	QTY	NOTE
1	11341-GY39-0000L	L.CRANKCASE COVER(LONG)	1	
1	11341-GY39-0000S	L.CRANKCASE COVER(SHORT)	1	
2	11395-GY39-0000L	GASKET,L.CRANKCASE(LONG)	1	
2	11395-GY39-0000S	GASKET,L.CRANKCASE(SHORT)	1	
3	28250-GY39-0000	STARTING SHAFT COMP.	1	

4	28230-GY39-0000	IDLER GEAR AXLE ASSY	1	
5	90412-GY39-0000	WASHER 10MM	7	
6	28300-GY39-0000	START BAR	1	
7	94301-08140-000	PIN 8*14	1	
8	11381-GY39-0000	CLAMP	1	
9	11384-GY39-0000	BRAKE CABLE CLAMP	1	
10	96001-06035-000	FLANGE BOLT M6*35	8	

39

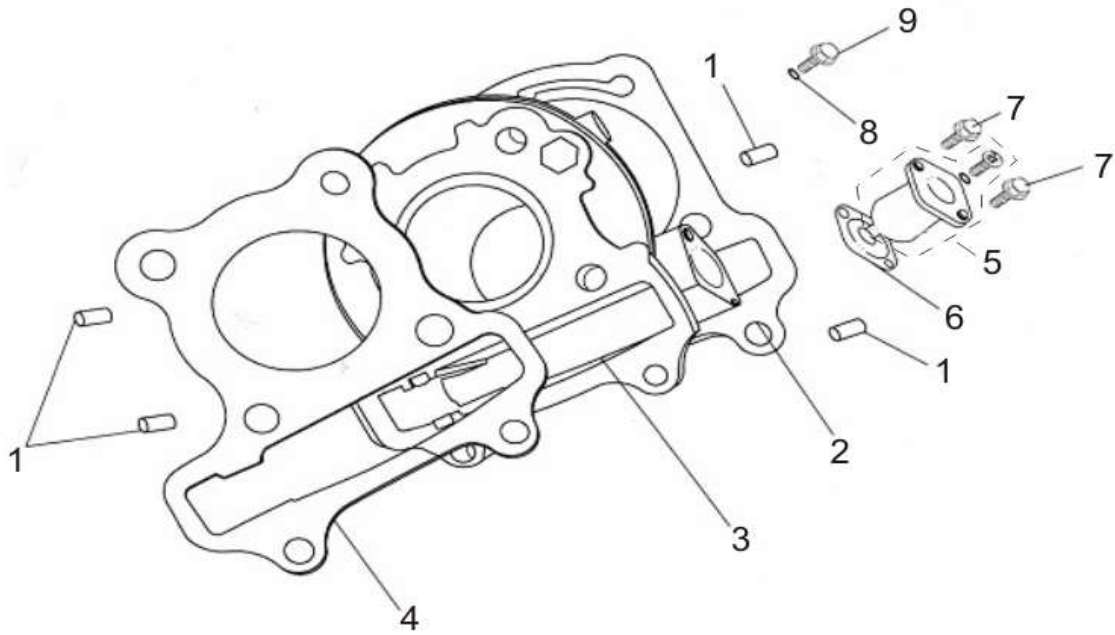
CYLINDER HEAD



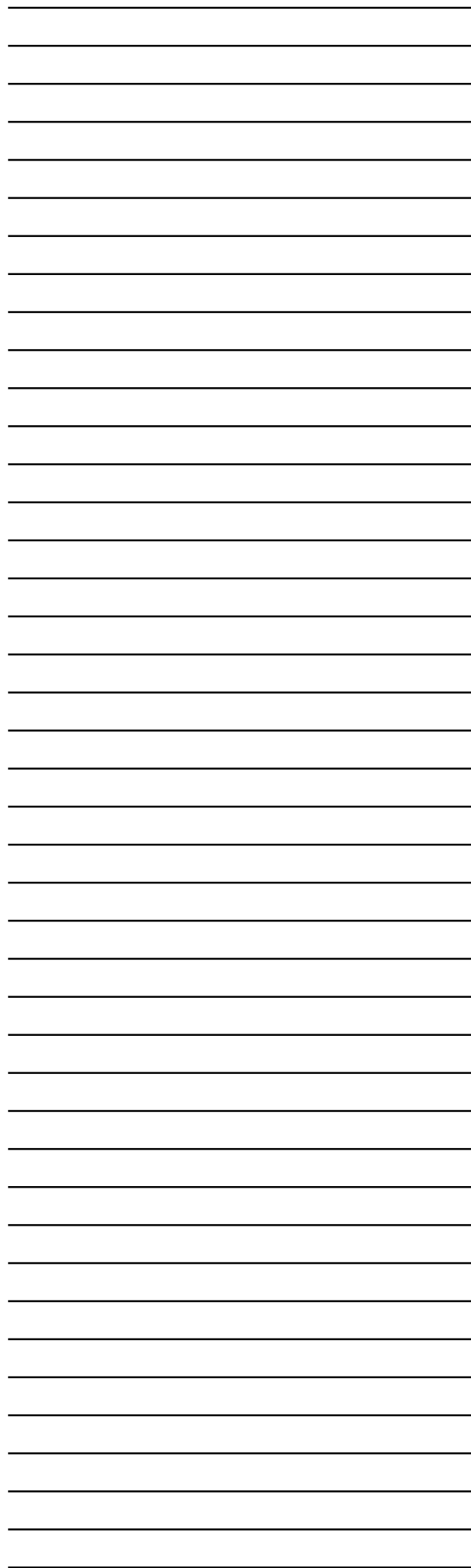
NO.	PART CODE	DESCRIPTION	QTY	NOTE
1	12200-GY39-0000	CYLINDER HEAD COMP.	1	
2	98056-GY39-0000	SPARK PLUG	1	
3	90033-GY39-0000	STUD BOLT M6*62	2	
4	17110-GY39-0000	INLET PIPE	1	
5	16211-GY39-0000	INSULATING BOARD	1	
6	94301-10160-000	LOCATING DEWEL 10*16	2	
7	92900-GY39-0000	STUD BOLT M6*32	2	
8	94050-06080-000	FLANGE BOLT M6	2	
9	94050-08080-000	FLANGE BOLT M8	4	
10	96001-06100-080	FLANGE BOLT M6*100	2	
11	90465-GY39-0000	WASHER 8(COLOR)	4	
12	16201-GY39-0000	SHIM,INSULATING BOARD	1	

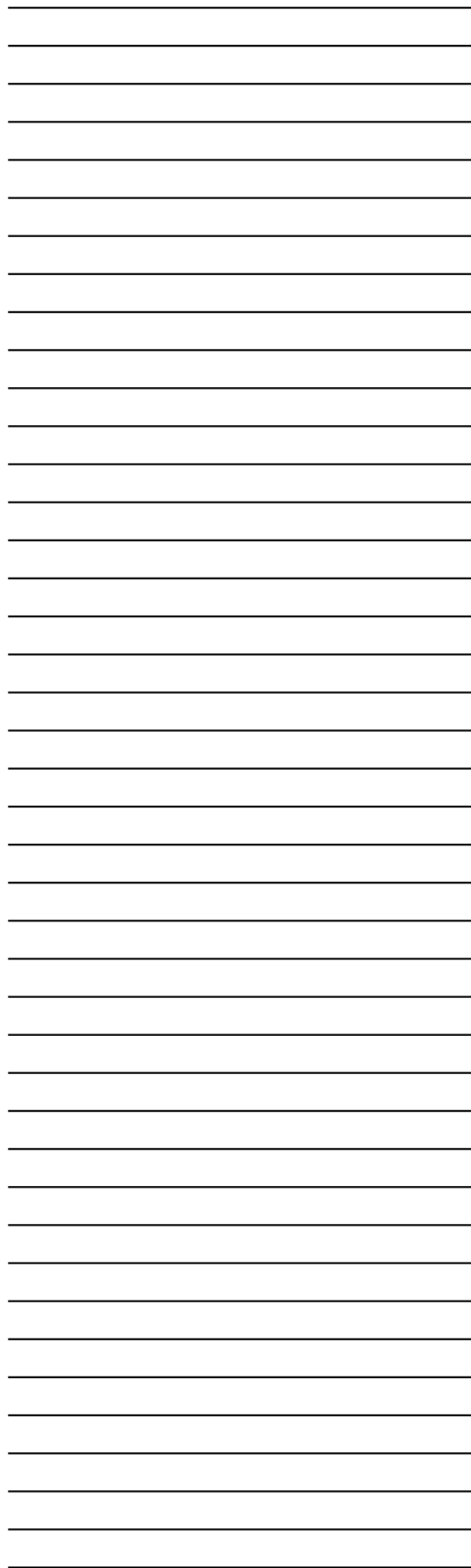
40

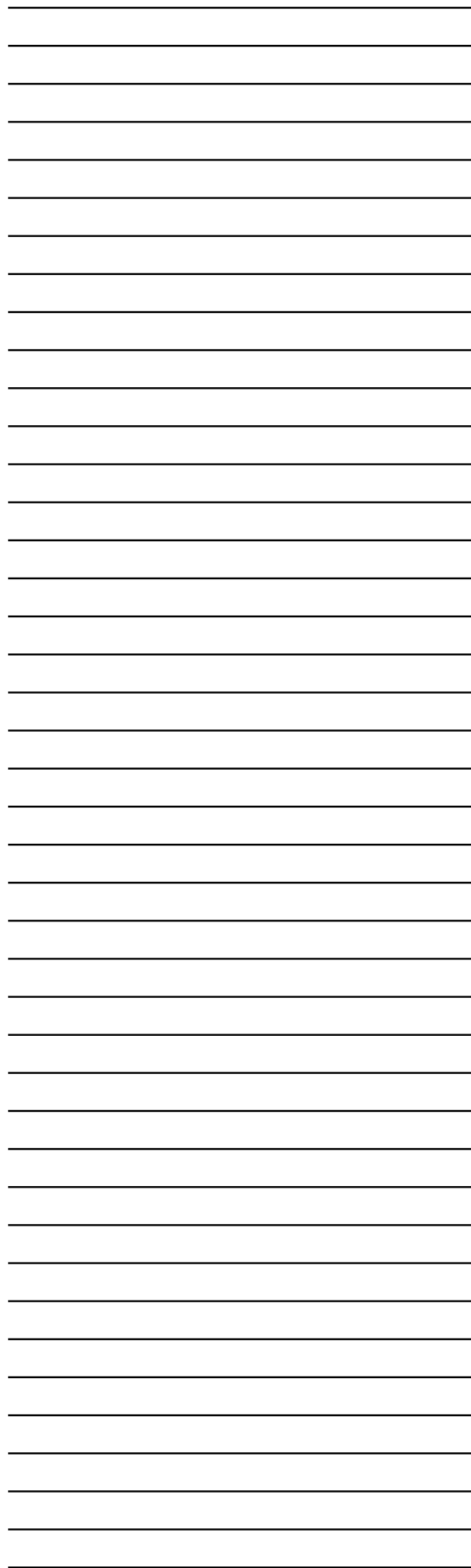
CYLINDER

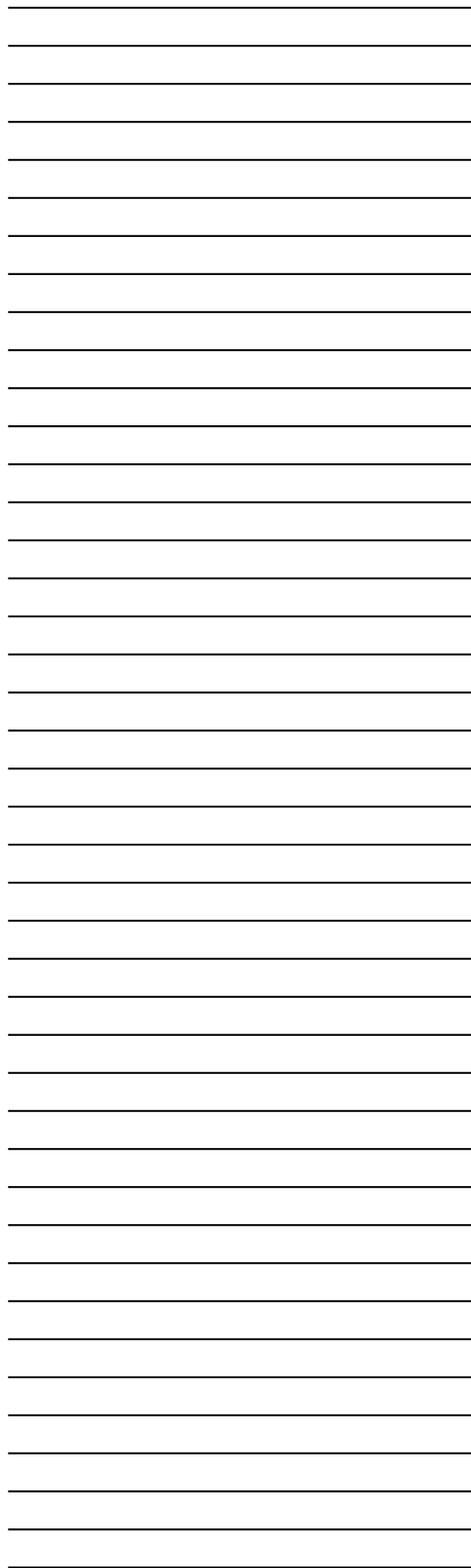


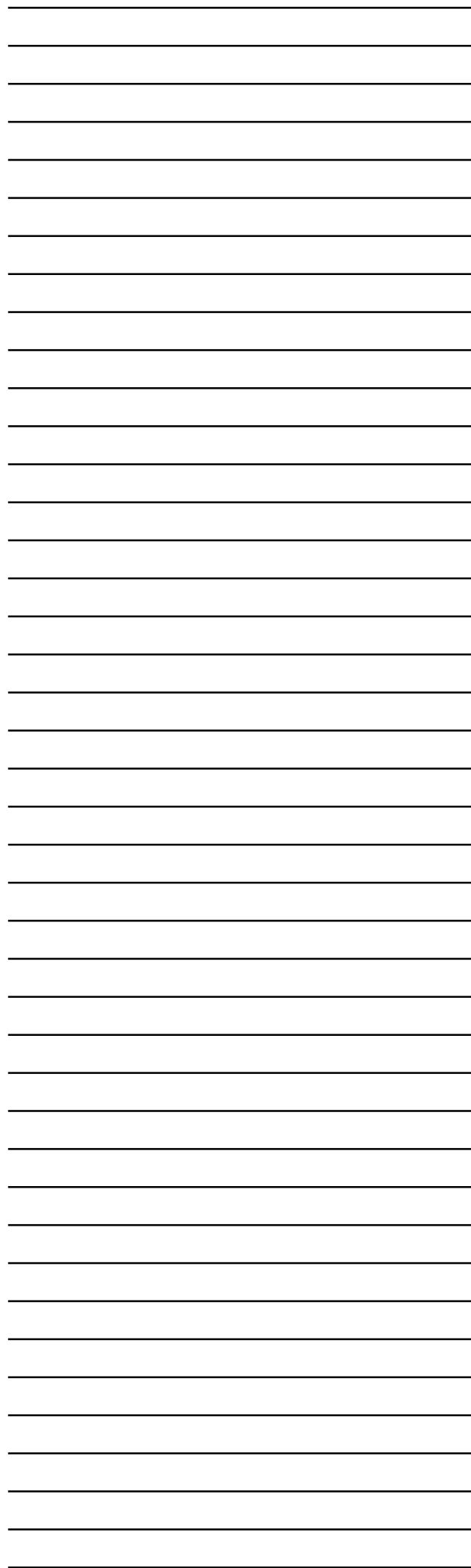
NO.	PART CODE	DESCRIPTION	QTY	NOTE
1	94301-10160-000	LOCATING DEWEL 10*16	4	
2	12191-GY39-0000	GASKET,CYLINDER	1	
3	12100-GY39-0000	CYLINDER BODY	1	
4	12251-GY39-000	GASKET,CYLINDER HEAD	1	
5	14520-GY39-0000	CHAIN ADJUSTOR ASSY	1	
6	14523-GY39-0000	GASKET,CHAIN ADJUSTOR	1	
7	96001-06025-000	FLANGE BOLT M6*25(CHROME)	2	
8	12102-GY39-0000	GASKET 6	1	
9	96001-06014-000	FLANGE BOLT M6*14(WHITE)	1	











A blank sheet of lined paper with 27 horizontal lines. A rectangular box is drawn on the left side, spanning the 11th, 12th, and 13th lines from the top.

