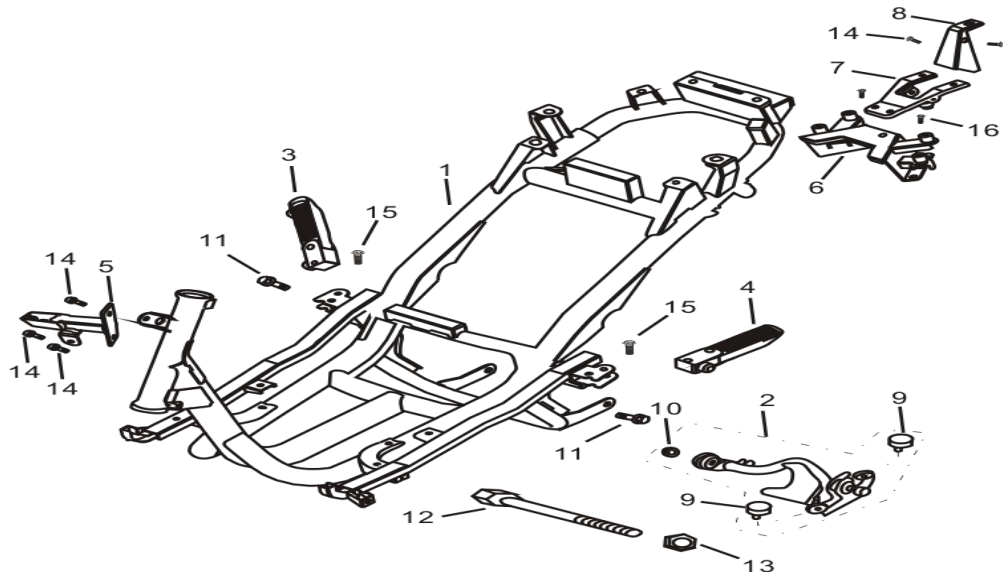


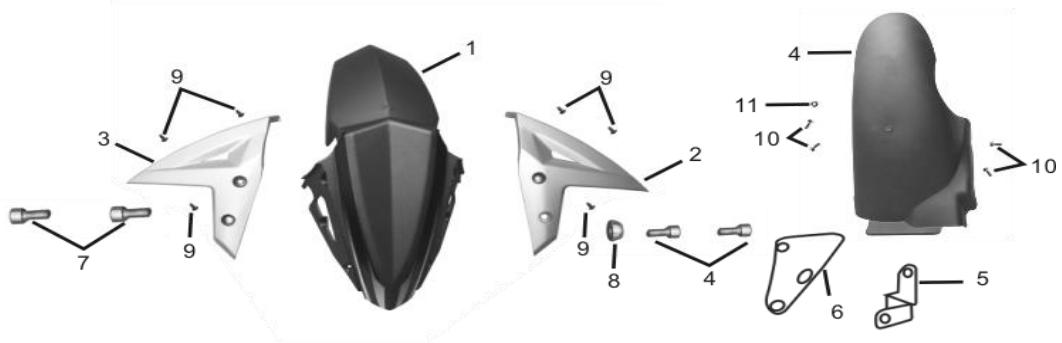
LISTA RICAMBI CARROZZERIA 50CC 4 TEMPI

FRAME BODY



NO.	PART CODE	DESCRIPTION	QTY
1	50100-MT10-170B	FRAME BODY(50CC 4STROKE) EFI	1
1	50100-MT10-000A	FRAME BODY(50CC 2STROKE)	1
1	50100-MT10-000B	FRAME BODY(50CC 4STROKE)	1
2	50350-MT10-000A	HANGER OF ENGINE(2STROKE)	1
2	50350-MT10-000B	HANGER OF ENGINE(4STROKE)	1
3	5071A-MT10-0000	RIGHT FOOTREST	1
4	5071B-MT10-0000	LEFT FOOTREST	1
5	64315-MT10-0000	BRACKET,COVER ASSY FR GRILL	1
6	50101-MT10-0000	REAR HANDRAIL BRACKET	1
7	50102-MT10-0000	DECORATED BOARD BRACKET	1
8	81205-MT10-0000	REAR RACK BRACKET	1
9	50352-MT10-000B	CUSHION OF ENGINE HANGER(50CC 4STROKE)	1
10	50356-MT10-0000	BUSH,ENGINE HANGER	2
11	96001-10050-000	FLANGE BOLT M10x1.25x50	2
12	90117-10235-000	FLANGE BOLT M12x1.25x295	1
13	90304-MT10-0000	LOCKNUT M10*1.25	1
14	96001-06012-000	FLANGE BOLT M6*12	5
15	96001-06032-000	FLANGE BOLT M6*32	2
16	96001-06016-000	FLANGE BOLT M6*16	2
1			

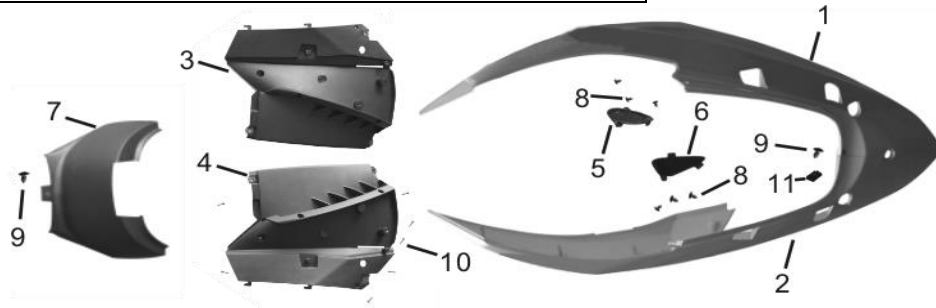
FENDER



NO.	PART CODE	DESCRIPTION	QTY
1	61100-MT10-0MDR	FRONT FENDER(BLUE,JJ-937)	1
1	61100-MT10-0RED	FRONT FENDER (FOR RED-931&WHITE COLOR)	1
2	61101-MT10-0000	LEFT BRACKET,FR.FENDER	1
3	61102-MT10-0000	RIGHT BRACKET,FR.FENDER	1
4	80100-MT10-000A	FENDER RR TIRE(50CC 2T)	1
4	80100-MT10-000B	FENDER RR TIRE(50CC 4T)	1
4	80100-MT10-000C	FENDER RR TIRE(125CC)	1
5	80101-MT10-000B	RIGHT BRACKET,FENDER RR TIRE(50CC 4T)	1
5	80101-MT10-000C	RIGHT BRACKET,FENDER RR TIRE(125CC)	1
6	80102-MT10-000B	LEFT BRACKET,FENDER RR TIRE(50CC 4T)	1
6	80102-MT10-000C	LEFT BRACKET,FENDER RR TIRE(125CC)	1
7	96002-06020-000	SOCKET HEAD SCREW M6*20	4
8	61105-MT10-0000	WASHER	4
9	90903-04012-000	TAPPING SCREW ST4.2*12	6
10	90111-06014-000	STEP BOLT M6*14	4
11	90111-06014-000	FLANGE NUT M6*14	4

2

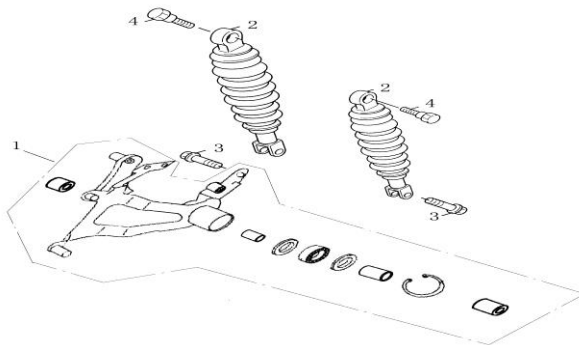
SIDE PANEL



NO.	PART CODE	DESCRIPTION	QTY
1	83500-MT10-0MDR	COVER R BODY	1
2	83600-MT10-00RD	COVER L BODY(RE D)	1
3	83610-MT10-00RD	DECORATED BOARD,COVER R BODY(BLACK)	1
4	83510-MT10-00RD	DECORATED BOARD,COVER L BODY(BLACK)	1
5	50327-MT10-0000	RIGHT GRILL	1
6	50328-MT10-0000	LEFT GRILL	1
7	80151-MT10-0000	COVER CENTER	1
8	90903-04012-000	TAPPING SCREW ST4.2*12	6
9	93500-06014-000	SCREW M6*14	1
10	90903-04014-000	TAPPING SCREW ST4.2*14	10
11	90302-04000-000	NUT SPRING 4MM	1

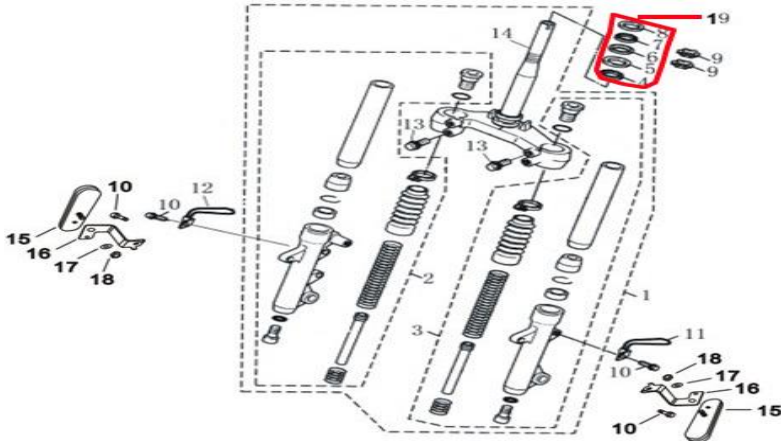
3

REAR SHOCK ABSORBER



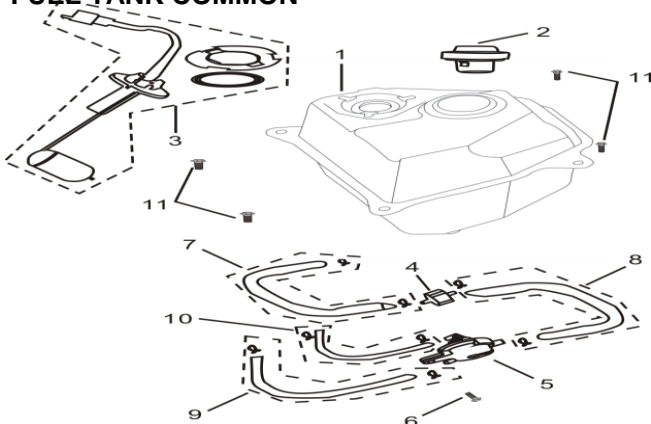
NO.	PART CODE	DESCRIPTION	QTY
1	52000-MT10-0000	RR.ARM COMP.	1
2	52400-MT10-0000	RR.SHOCK ABSORBER ASSY.	2
3	95701-08030-000	BOLT	2
4	95801-10035-000	FLANGE BOLT M10x35	2

FRONT FORK



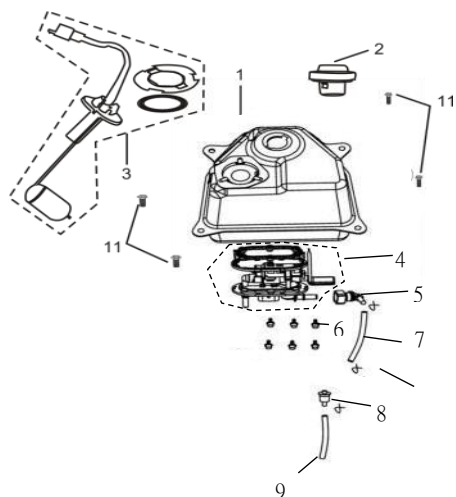
NO.	PART CODE	DESCRIPTION	QTY	
1	51000-MT10-0000	FR.FORK ASSY.	1	
2	51400-MT10-0000	R.FR.FORK ASSY.	1	
3	51500-MT10-0000	L.FR.FORK ASSY.	1	
4	96211-08000-000	BALL ASSY.,LOWER	1	
5	53221-MT10-0000	BOWL 2	1	
6	53222-MT10-0000	BOWL 2	1	
7	96211-05000-000	BALL ASSY.,UPPER	1	
8	53223-MT10-0000	BOWL 1	1	
9	50306-MT10-0000	TOP NUT,STEERING STEM	2	
10	96006-06012-000	FLANGE BOLT M6*12	4	
11	53156-MT10-0000	CLAMP	1	
12	53157-MT10-0000	FUEL LINE CLIP,DISK BRAKE	1	
13	95801-08040-000	HEXAGONAL BOLT M8*40	4	
14	53200-MT10-0000	STEERING STEM	1	
15	33742-MT10-0000	FRONT REFLECTOR	2	
16	33743-MT10-0000	BRACKET,FRONT REFLECTOR	2	
17	90440-MT10-0600	WASHER	2	
18	94051-06000-000	NUT M6	2	
19	53220-MT10-0000	STEERING bearing	1	
5				

FUEL TANK COMMON



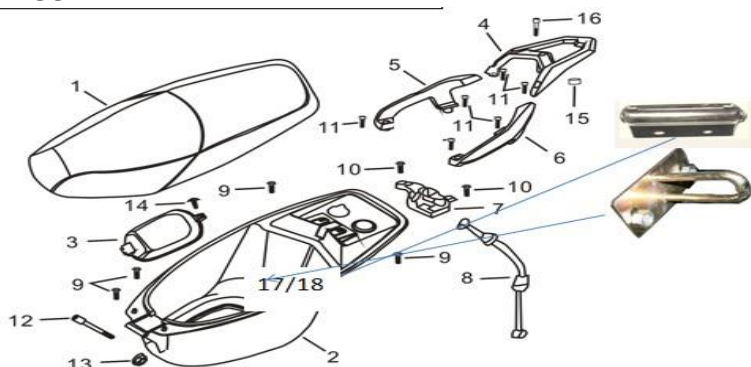
NO.	PART CODE	DESCRIPTION	QTY	
1	17500-MT10-0000	FUEL TANK	1	
2	1762A-MT10-0000	CAP,FUEL TANK	1	
3	3780A-MT10-0000	FUEL SENSOR ASSY	1	
4	1691A-MT10-0000	FUEL FILTER	1	
5	16700-MT10-0000	FUEL PUMP ASSY	1	
6	96001-06016-000	FLANG BOLT M6*16	1	
7	16911-MT10-0000	FUEL TUBE A	1	
8	16912-MT10-0000	FUEL TUBE B	1	
9	16913-MT10-0000	FUEL TUBE C	1	
10	17682-MT10-0000	TUBE ASSY FUEL VACUUM	1	
11	96001-06014-000	FLANG BOLT M6*14	4	

FUEL TANK EFI



NO.	PART CODE	DESCRIPTION	QTY
1	17500-MT10-0001	FUEL TANK (EFI)	1
2	1762A-MT10-0000	CAP,FUEL TANK 50,125SAME	1
3	3780A-MT10-0001	FUEL SENSOR ASSY 50CC/125CC EFI SAME	1
4	16920-MT10-1700	FUEL PUMP (EFI)	1
5	37804-MT10-1700	OIL PIPE coupling (EFI)	1
6	95801-05012-000	SCREW PAN (EFI)	6
7	16911-MT10-1700	FUEL TUBE A (EFI) L1=200MM	1
8	16910-MT10-0001	STRAINER ASSY FUEL (EFI)	1
9	16912-MT10-1700	FUEL TUBE B (EFI) L2=80MM	1
10	95002-02080	CLAMP FUEL PIPE (EFI)	3
11	96001-06012-000	FLANG BOLT M6*12 (EFI)	4
6			

SEAT ASSEMBLY

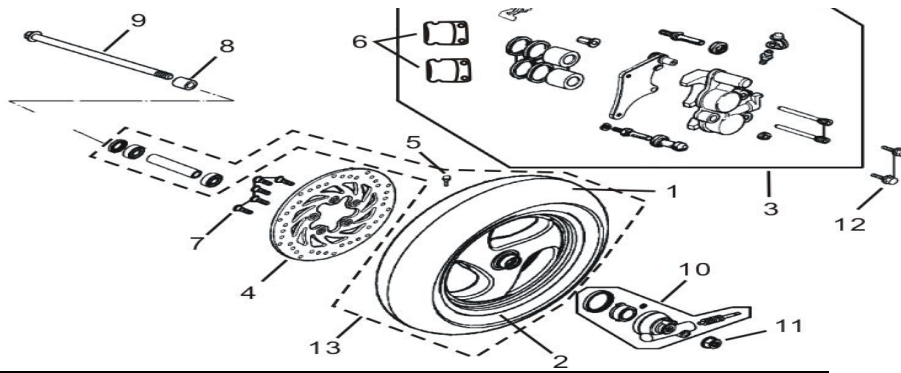


NO.	PART CODE	DESCRIPTION	QTY
1	77200-MT10-0000	SEAT	1
2	81260-MT10-0000	LUGGAGE BOX ASSY	1
3	81251-MT10-0000	LID CARB MAINT	1
4	1020A-MT10-0000	CARRIER ASSY RR	1
5	8121A-MT10-0000	RIGHT REAR HANDRAIL	1
6	8121B-MT10-0000	LEFT REAR HANDRAIL	1
7	77235-MT10-0000	LOCK BASE OF SEAT	1
8	77240-MT10-0000	CABLE OF SEAT LOCK	1
9	96001-06014-0000	FLANG BOLT M6*14	4
10	96001-06014-0000	FLANGE BOLT M6*12	2
11	96002-06025-0000	SOCKET HEAD SCREW M6*25	6
12	77210-MT10-0000	SEAT PIN	1
13	94050-08000-0000	FLANGE NUT M8	1
14	96003-08014-0000	BOLT M8*14	1
15	81206-MT10-0000	COLLAR,CARRIER ASSY	1
16	96002-06075-0000	SOCKET HEAD SCREW M6*75	1
17	77239-MT10-0000	seat lock pothook	1
18	77238-MT10-0000	Front stay seat comp	1

7

FRONT WHEEL

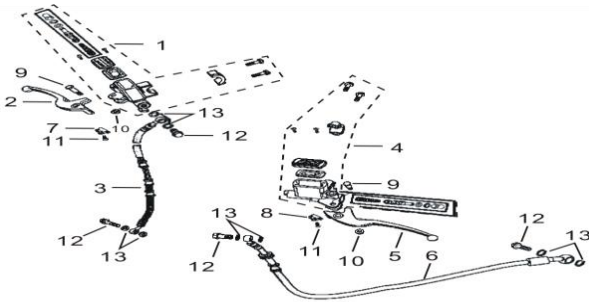




NO.	PART CODE	DESCRIPTION	QTY
1	44710-MT10-0000	FRONT TIRE	1
2	44650-MT10-0000	FRONT RIM (BLACK)	1
3	45200-MT10-0000	CALIPER ASSY FR	1
4	45351-MT10-0000	DISK FR BRAKE	1
5	42753-MT10-0000	VALVE RIM	1
6	45150-MT10-0000	RR.BRAKE PAD	1
7	90105-08024-000	BOLT M8*24	5
8	44311-MT10-0000	COLLAR RR AXLE	1
9	44301-MT10-0000	AXLE FR WHEEL	1
10	44800-MT10-0000	GEAR BOX ASSY FOR CALCULATE SPEED	1
11	90306-12000-000	FLANGE NUT M12	1
12	90122-08032-000	FLANGE BOLT M8*32	2

8

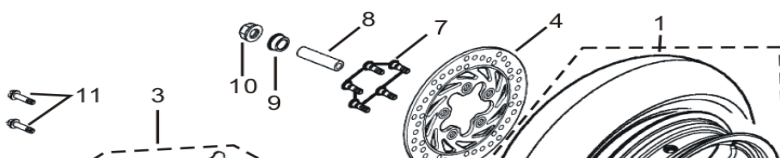
BRAKE SYSTEM

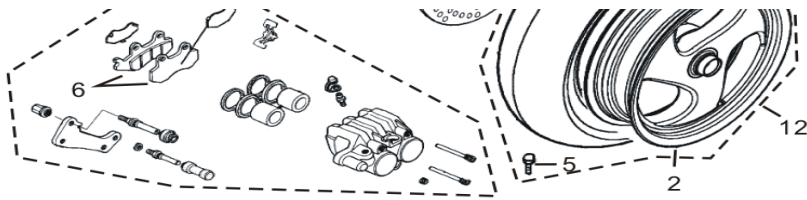


NO.	PART CODE	DESCRIPTION	QTY
1	45530-MT10-0000	CYLINDER SET FR MASTER	1
2	53175-MT10-0000	LEVER R	1
3	45126-MT10-0000	HOSE ASSY FR BRAKE	1
4	43530-MT10-0000	CYLINDER SET RR MASTER	1
5	53178-MT10-0000	LEVER L	1
6	43126-MT10-0000	HOSE ASSY RR BRAKE	1
7	35340-MT10-0000	SWITCH ASSY FR BRAKE	1
8	35350-MT10-0000	SWITCH ASSY RR BRAKE	1
9	90114-MT10-0000	BOLT HANDLE LEVER	2
10	94050-06000-000	FLANGE NUT M6	2
11	93893-04012-000	SCREW WASHER M4*12	2
12	90145-10022-000	OIL BOLT M10*22	4
13	90545-MT10-0000	WASHER,OIL BOLT	8
14	20531-MT10-0000	Front brake assy.(include CALIPER ASSY FR, CYLINDER SET FR MASTER,HOSE ASSY FR BRAKE)	1
15	53121-MT10-0000	Rear brake assy. (include:CALIPER ASSY RR, CYLINDER SET RR MASTER;HOSE ASSY RR BRAKE)	1

9

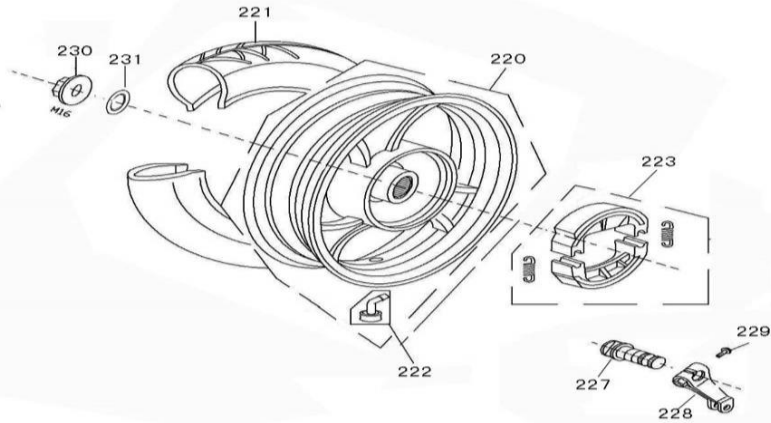
REAR WHEEL---REAR DISK BRAKE





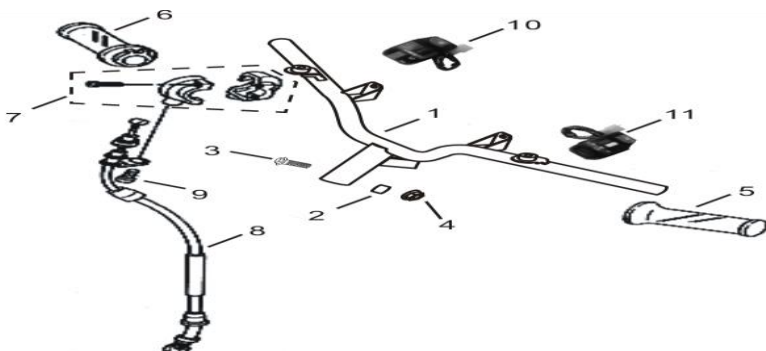
NO.	PART CODE	DESCRIPTION	QTY
1	42710-MT10-0000	REAR TIRE	1
2	42601-MT10-0000	REAR RIM (BLACK)	1
3	43100-MT10-0000	CALIPER ASSY RR	1
4	43351-MT10-0000	REAR BRAKE DISK	1
5	42753-MT10-0000	VALVE RIM	1
6	43150-MT10-0000	RR.BRAKE PAD	1
7	90105-08024-000	BOLT M8*24	5
8	42311-MT10-0000	COLLAR RR AXLE A	1
9	42312-MT10-0000	COLLAR RR AXLE SIDE	1
10	90305-16000-000	FLANGE NUT M16	1
11	90131-08035-000	FLANGE BOLT M8*35	2

REAR WHEEL----REAR DRUM BRAKE



NO.	PART CODE	DESCRIPTION	QTY
221	42710-MT10-0000	REAR TIRE	1
220	42601-MT10-000A	REAR RIM (drum brake)	1
223	43100-MT10-000A	REAR BRAKE SHOE	1
222	42753-MT10-0000	VALVE RIM	1
227	43150-MT10-000A	CAM RR BRK	1
228	90105-08024-000A	ARM COMP RR BRAKE	1
229	42311-MT10-000A	BOLT FLANGER	1
230	42312-MT10-000A	NUT	1
231	90305-16000-000A	SPG CANSHER	1
		10	

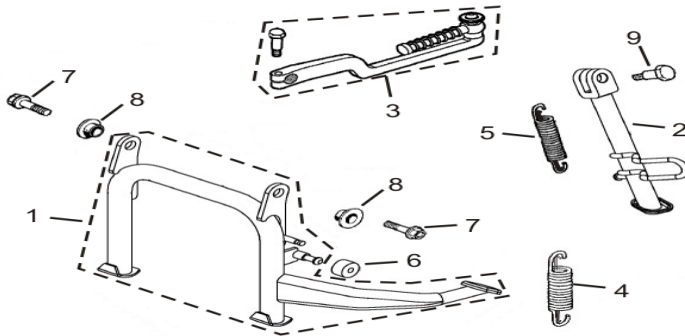
HANDLE BAR



NO.	PART CODE	DESCRIPTION	QTY
1	53100-MT10-0000	HANDLE BAR	1
2	53125-MT10-0000	BUSH,HANDLE BAR	1
3	90106-10045-000	FLANGE BOLT M10*45	1
4	90304-10000-000	FLANGE NUT M10*1.25	1
5	53166-MT10-0000	L.GRIP,HANDLE	1
6	53140-MT10-0000	THROTTLE GRIP,HANDLE	1
7	53160-MT10-0000	THROTTLE BRACKET	1
8	17910-MT10-0000	THROTTLE CABLE	1
9	93500-05010-000	CROSS ROUNDHEAD SCREW M5*10	1
10	3515A-MT10-0000A	SWITCH,HANDLEBAR R.EFI	1
10	3515A-MT10-0000	SWITCH,HANDLEBAR R. COMMON	1
11	3520A-MT10-0000	SWITCH,HANDLEBAR L.	1

11

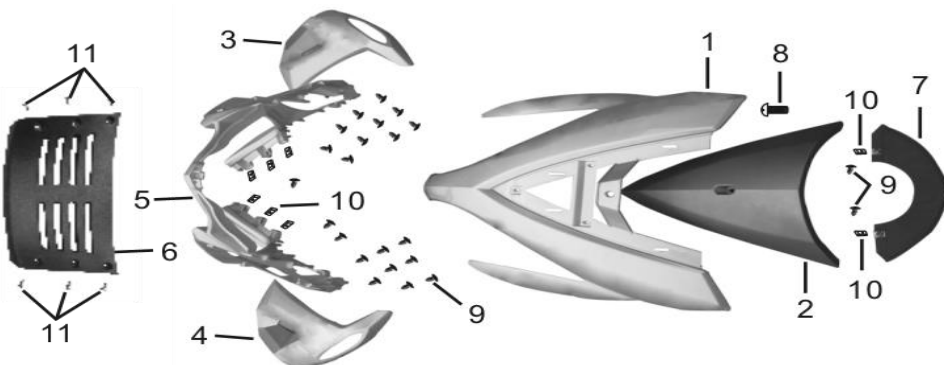
STAND ASSY



NO.	PART CODE	DESCRIPTION	QTY
1	5050A-MT10-0000	STAND ASSY MAIN(4T)	1
1	5050A-MT10-0000	STAND ASSY MAIN(2T)	1
1	5050A-MT10-0000	STAND ASSY MAIN(125CC)	1
2	50530-MT10-0000	BAR SIDE STAND	1
3	28300-GY57-0000	KICK STARTER	1
4	50550-MT10-0000	SPRING OF MAIN STAND	1
5	95014-MT10-0000	SPRING OF SIDE STAND	1
6	50505-MT10-0000	RUBBER STOPPER MAIN	1
7	95801-10025-000	FLANGE BOLT M10*25	2
8	50502-MT10-0000	COLLAR MAIN STAND	2
9	90108-MT10-0000	SCREW SIDE STAND PIVOT	1

12

FRONT COVER

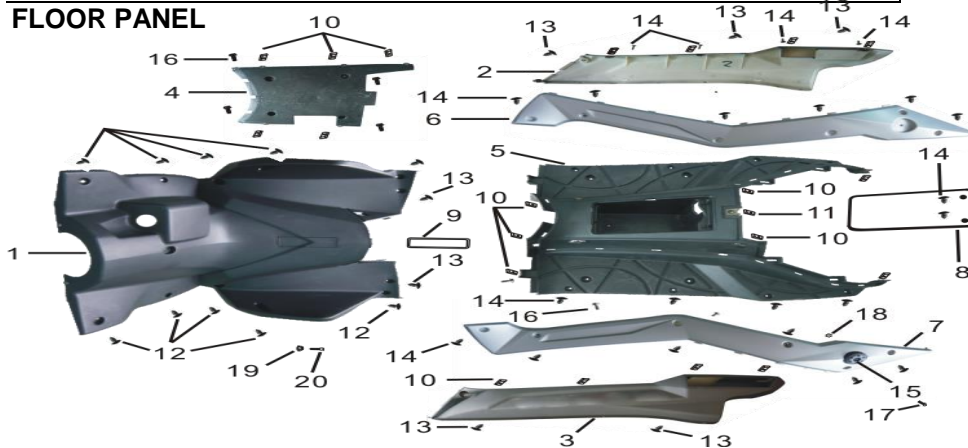


NO.	PART CODE	DESCRIPTION	QTY
1	64302-MT10-00RD	FRONT COVER	1

2	64307-MT10-0000	DECORATED BOARD FRONT COVER	1	
3	64304-MT10-00RD	RIGHT DECORATED BOARD,COVER FRONT	1	
4	64303-MT10-00RD	LEFT DECORATED BOARD,COVER FRONT	1	
5	64301-MT10-00RD	FRONT COVER BRACKET	1	
6	64400-MT10-0000	FRONT FENDER INNER	1	
7	64302-MT10-0000A	LID COVER FR	1	
8	93500-06014-000	SCREW M6*14	1	
9	90903-04016-000	TAPPING SCREW ST4.2*16	23	
10	90302-04000-000	NUT SPRING 4MM	8	
11	90903-04016-000	TAPPING SCREW ST4.8*16	6	

13

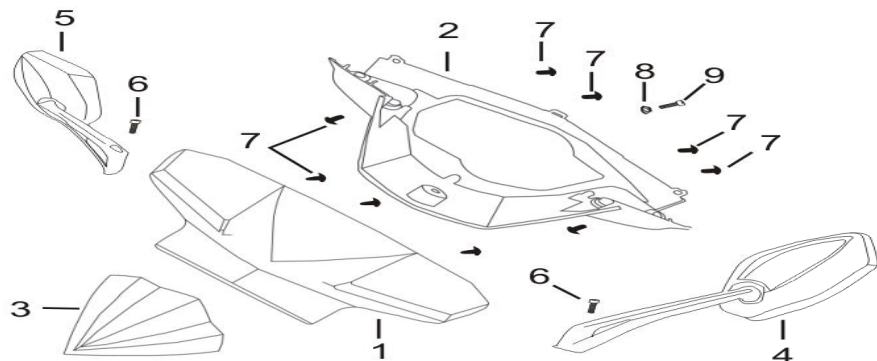
FLOOR PANEL



NO.	PART CODE	DESCRIPTION	QTY
1	81131-MT10-0000	LEG SHIELD	1
2	64305-MT10-0000	SKIRT R SIDE (BLACK)	1
3	64306-MT10-0000	SKIRT L SIDE	1
4	50613-MT10-0000	COVER UNDER	1
5	64310-MT10-0000	FLOOR PANEL	1
6	64311-MT10-0000	FLOOR PANEL RIGHT GUARD PLATE	1
7	64312-MT10-0000	FLOOR PANEL LEFT GUARD PLATE	1
8	50326-MT10-0000	COVER BATTERY	1
9	81132-MT10-0000	LID LEG SHIELD	1
10	90302-04000-000	NUT SPRING M4	20
11	90302-04000-000	NUT CLIP M6	1
12	90903-04014-000	TAPPING SCREW ST3.9*16	10
13	90903-04014-000	TAPPING SCREW ST4.2*12	7
14	90903-04014-000	TAPPING SCREW ST4.2*16	20
15	64308-MT10-0000	DECORATION PART	2
16	96001-06016-000	FLANGE BOLT M6*16	8
17	93500-06014-000	SCREW M6*14	1
18	93500-06000-000	NUT M6	1
19	61105-MT10-0000	WASHER	1
20	96002-06014-002	SOCKET HEAD SCREW M6*14	1

14

HANDLE BAR PANEL

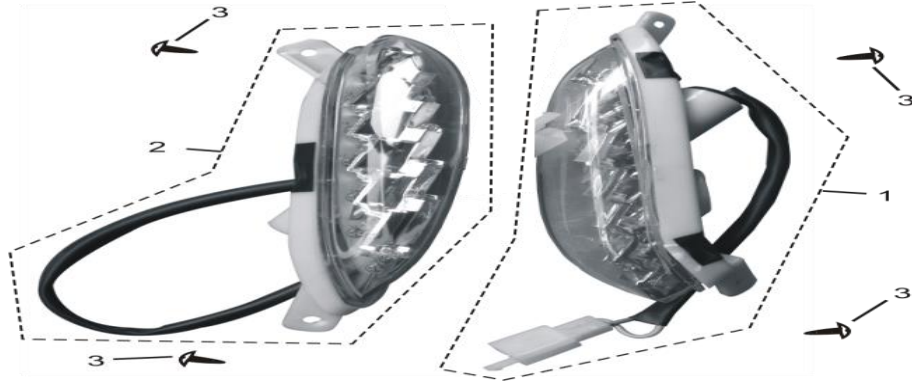


NO.	PART CODE	DESCRIPTION	QTY
1	53205-MT10-0000	COVER FR HANDLE	1

2	53206-MT10-0000	COVER RR HANDLE	1
3	53208-MT10-0000	DECORATED BOARD FR HANDLE	1
4	88120-MT10-0000	MIRROR ASSY L BACK	1
5	88110-MT10-0000	MIRROR ASSY R BACK	1
6	96002-06020-000	SOCKET HEAD SCREW M6*25	2
7	93903-01014-000	TAPPING SCREW M3.9*14	9
8	53209-MT10-0000	WASHER	1
9	96002-05015-000	SOCKET HEAD SCREW M5*15	1

15

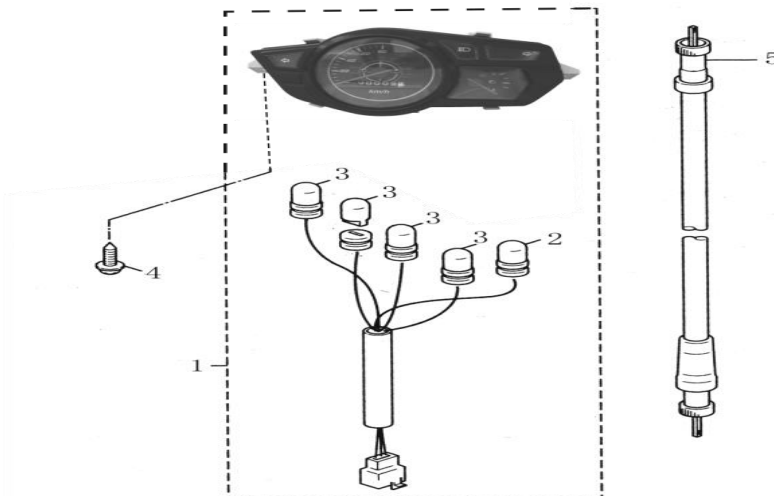
TURNING LIGHT



NO.	PART CODE	DESCRIPTION	QTY
1	33450-MT10-0000	L.FR.TURNING LIGHT ASSY	1
2	33400-MT10-0000	R.FR.TURNING LIGHT ASSY	1
3	93903-05014-000	TAPPING SCREW M4.8*16	4

16

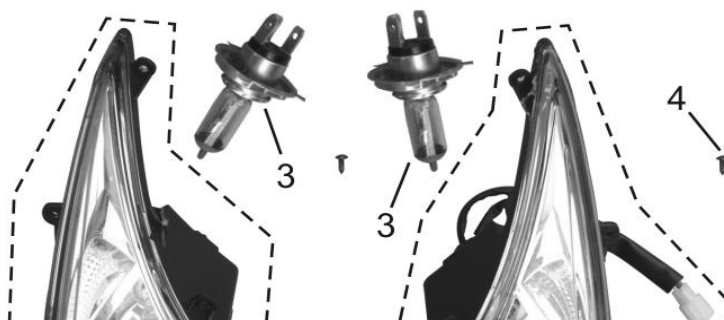
SPEEDOMETER

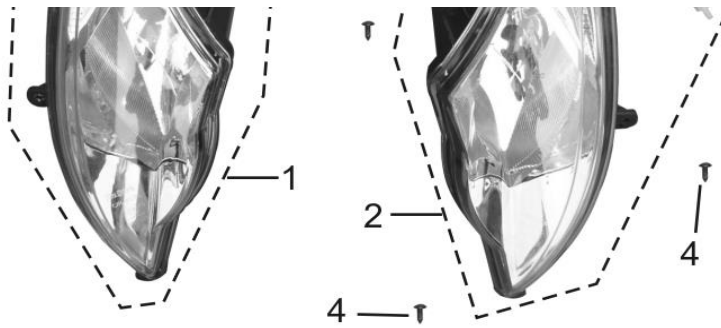


NO.	PART CODE	DESCRIPTION	QTY
1	37200-MT10-0000	SPEEDOMETER ASSY.(MILE/DOT) 50	1
1	37200-MT10-1700	SPEEDOMETER ASSY.(MILE/DOT) EFI 50	1
2	37272-MT10-0000	SIGNAL INDICATOR LIGHT 12V,3.4W	1
3	37271-MT10-0000	SIGNAL INDICATOR LIGHT 12V,1.7W	4
4	90903-04016-000	TAPPING SCREW ST4.2*16	3
5	44831-MT10-0000	MILEAGE CABLE	1

17

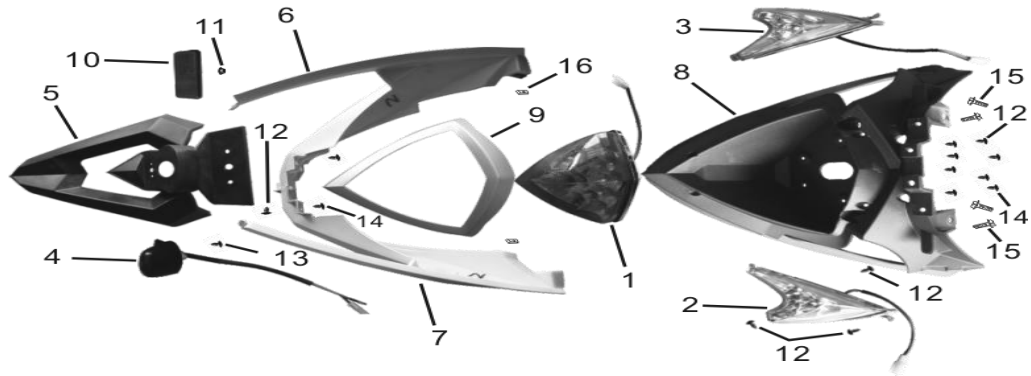
HEADLIGHT





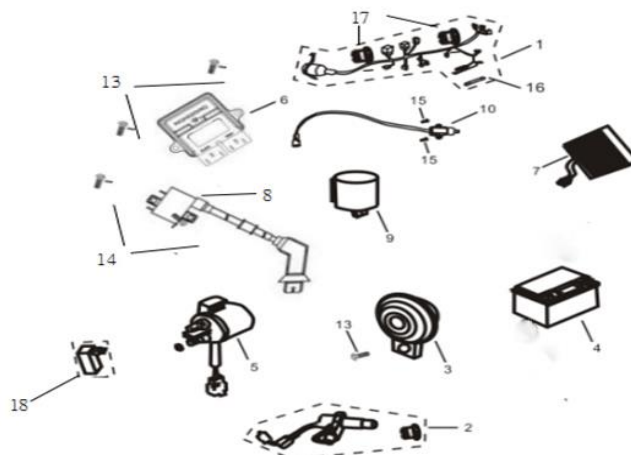
NO.	PART CODE	DESCRIPTION	QTY
1	33101-MT10-0000	RIGHT HEADLIGHT	1
2	33102-MT10-0000	LEFT HEADLIGHT	1
3	34901-MT10-0000	BULB OF HEADLIGHT 12V 35/35W	2
4	90903-04012-000	TAPPING SCREW ST3.9*14	10
18			

TAILLIGHT



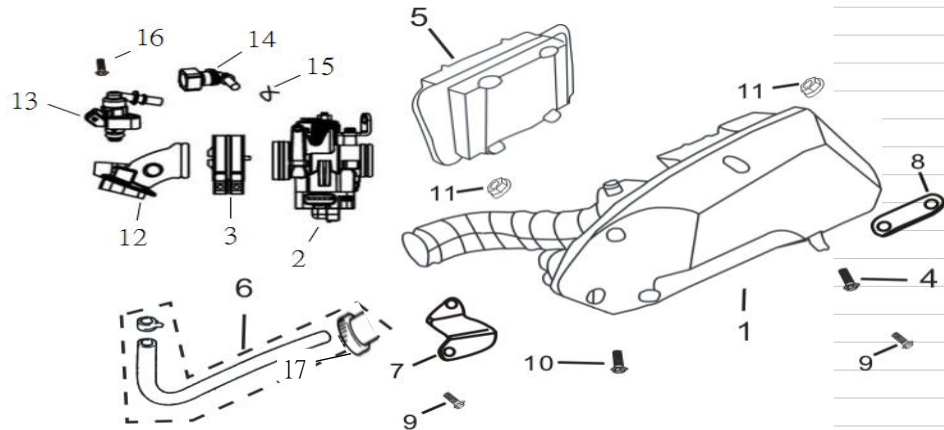
NO.	PART CODE	DESCRIPTION	QTY
1	33700-MT10-0000	TAILLIGHT ASSY	1
2	33600-MT10-0000	R.RR.TURNING LIGHT ASSY	1
3	33650-MT10-0000	L.RR.TURNING LIGHT ASSY	1
4	33750-MT10-0000	LICENSE PLATE LAMP	1
5	80105-MT10-0000	REAR FENDER	1
6	33702-MT10-0000	LEFT DECORATED BOARD TAILLIGHT	1
7	3370A-MT10-0000	RIGHT DECORATED BOARD TAILLIGHT	1
8	33703-MT10-0001	FITTING SEAT OF TAILLIGHT	1
9	33701-MT10-0000	DECORATED BOARD TAILLIGHT	1
10	33741-MT10-0000	REAR REFLECTOR	1
11	94050-06080-000	FLANGE NUT M6	1
12	90903-04014-000	TAPPING SCREW ST3.9*16	11
13	90903-04014-000A	TAPPING SCREW ST3.9*20	1
14	90903-04014-000B	TAPPING SCREW ST3.9*10	6
15	96001-06012-000	FLANGE BOLT M6*12	4
16	90302-04000-000	NUT SPRING M4	2
19			

ELECTRICAL SYSTEM



NO.	PART CODE	DESCRIPTION	QTY
1	32100-MT10-0000	MAIN WIRE HARNESS 普通	1
1	32100-MT10-17000	MAIN WIRE HARNESS EFI	1
2	35101-MT10-1700	MAIN LOCK ASSY 50,125 SAME	1
3	38110-MT0-0000	HORN	1
4	31500-MT10-0000	BATTERY PREST	1
5	35850-MT10-0000	START RELAY	1
6	30400-MT10-1700	ECU (EFI) MT5 JJ50QT-17-45	1
6	30400-MT10-170A	ECU (EFI) MT5 JJ50QT-17-25	1
7	31600-MT10-1700	RECTIFIER EFI (12 LEVER)	1
7	31600-MT10-0000	RECTIFIER COMMON (11 LEVER)	1
8	30510-MT10-1700	IGNITION COIL COMP. (EFI)	1
8	30510-MT10-0000	IGNITION COIL COMP COMMON	1
9	38300-MT10-0000	FLASHER	1
10	35370-MT10-0000	KILL SWITCH	1
13	96001-06012-000	FLANGE BOLT M6*12	1
14	90112-06016-000	STEP BOLT M6*16	1
15	93500-05012-000	SCREW M5*12	2
16	98200-15000-000	FUSE	1
17	98300-15000-000	RELAY (EFI)	1
18	98410-15000-1700	SPEED LIMIT CONVERTER EFI	1
20			

AIR FILTER



NO.	PART CODE	DESCRIPTION	QTY
1	17200-MT10-1700	AIR FILTER EFI	1
1	17200-MT10-0000	AIR FILTER COMMON	1
2	17300-MT10-1700	TUBE MISSION BREATHER (EFI) JJ125T-17	1
3	17320-MT10-1700	CONTROLLER TO INCREASE AIR THICKNESS (EFI)	1
4	90114-06035-000	FLANGE BOLT M6*35	1
5	1721A-MT10-0000	ELEMENT,AIR FILTER	1
6	11211-MT10-0000	TUBE MISSION BREATHER	1
7	1725A-MT10-0000	AIR FILTER BRACKET A	1
8	1725B-MT10-0000	AIR FILTER BRACKET B	1
9	96001-06012-000	FLANGE BOLT M6*12	2
10	96001-06050-000	FLANGE BOLT M6*50	1
11	94050-06000-000	FLANGE NUT M6	2
12	17310-MT10-1700	INTAKE PIPE (EFI)	1
13	17400-MT10-0000	fuel spray nozzle (EFI)	1
14	37804-MT10-1700	Quick joint of tubing (EFI)	1
15	95002-02080	CLAMP FUEL PIPE (EFI)	1
16	90114-06030-000	FLANGE BOLT M6*30 (EFI)	2
17	17370-MT10-1700	T-RUBBER COVER M6*30 (EFI)	1
21			

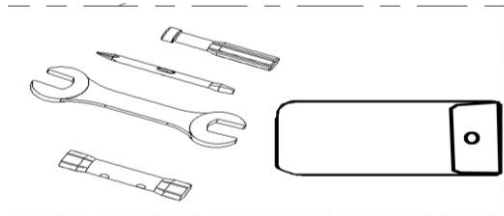
125cc--EXHAUST SYSTEM





NO.	PART CODE	DESCRIPTION	QTY
1	1830A-MT10-0000	EXHAUST MUFFLER ASSY.(CATALYZER) COMMON	1
1	1830A-MT10-1700	EXHAUST MUFFLER ASSY.(CATALYZER) EFI	1
2	18291-MT10-0000	GASKET OF EXHAUST PIPE	1
3	96001-08040-000	FLANGE BOLT M8*40	1
4	96001-08050-000	FLANGE BOLT M8*50	1
5	90301-08000-000	NUT M8,EXHAUST PIPE	2
6	18600-GT10-1700	Oxygen sensor (EFI)	1
22			

TOOLS



NO.	PART CODE	DESCRIPTION	QTY
1	89010-MT10-0000	DRIVER'S TOOLS	1
23			

