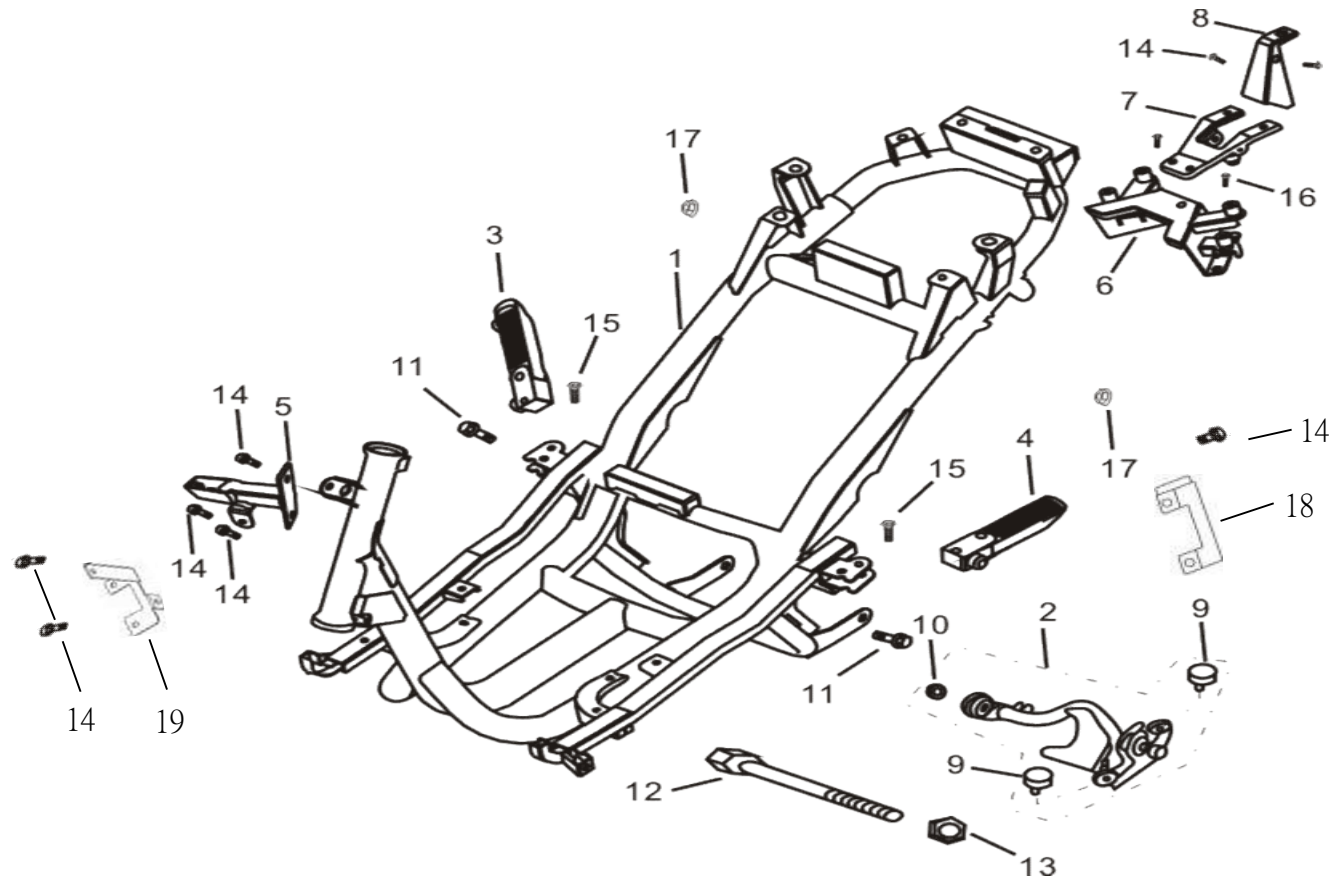


LISTA RICAMBI EAGLE 125 EFI - CARROZZERIA

零件手册列印页

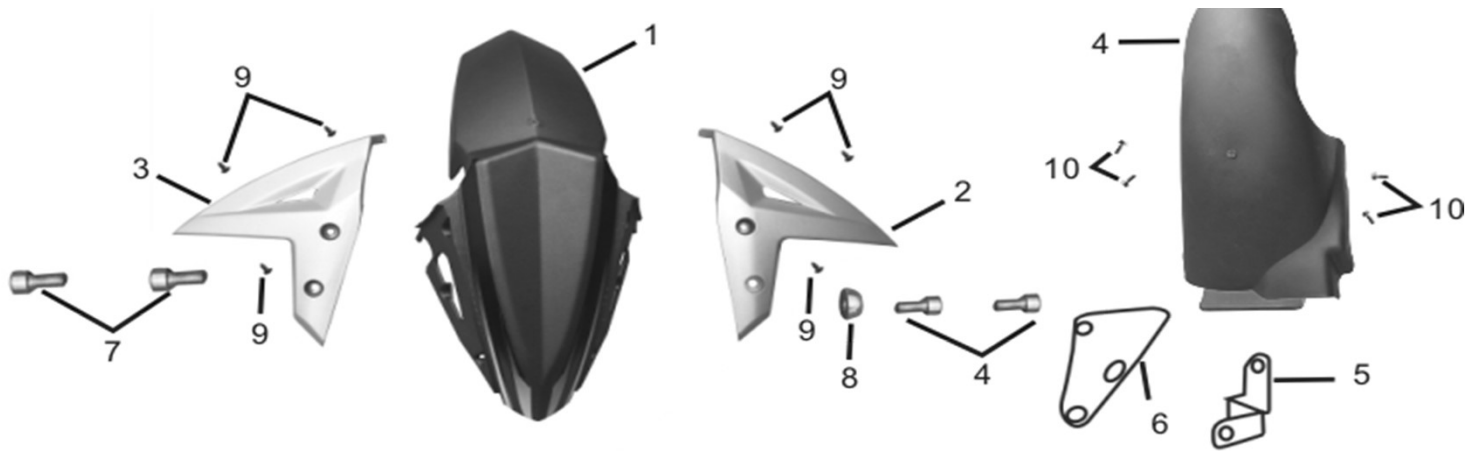
FRAME BODY



NO.	PART CODE	DESCRIPTION	QTY	NOTE
1	50100-MT10-0001	FRAME BODY	1	
2	50350-MT10-0000	HANGER OF ENGINE	1	
3	5071A-MT10-0000	RIGHT FOOTREST	1	
4	5071B-MT10-0000	LEFT FOOTREST	1	
5	64315-MT10-0001	BRACKET,COVER ASSY FR GRILL	1	
6	50101-MT10-0000	REAR HANDRAIL BRACKET	1	
7	50102-MT10-0000	DECORATED BOARD BRACKET	1	
8	81205-MT10-0000	REAR RACK BRACKET	1	
9	50352-MT10-0000	CUSHION OF ENGINE HANGER	2	
10	50356-MT10-0000	BUSH,ENGINE HANGER	2	
11	96001-10050-000	FLANGE BOLT M10×1.25×50	2	
12	90117-10185-000	FLANGE BOLT M10×1.25×185	1	
13	90304-MT10-0000	LOCKNUT M10*1.25	1	
14	96001-06012-000	FLANGE BOLT M6*12	8	
15	96001-06038-000	FLANGE BOLT M6*38	2	
16	96001-06016-000	FLANGE BOLT M6*16	2	
17	94050-06000-000	FLANGE NUT M6	2	
18	64321-GT10-0000	ECU installing bracket	1	
19	64323-GT10-0000	IGNITION COIL installing bracket	1	

1

FENDER

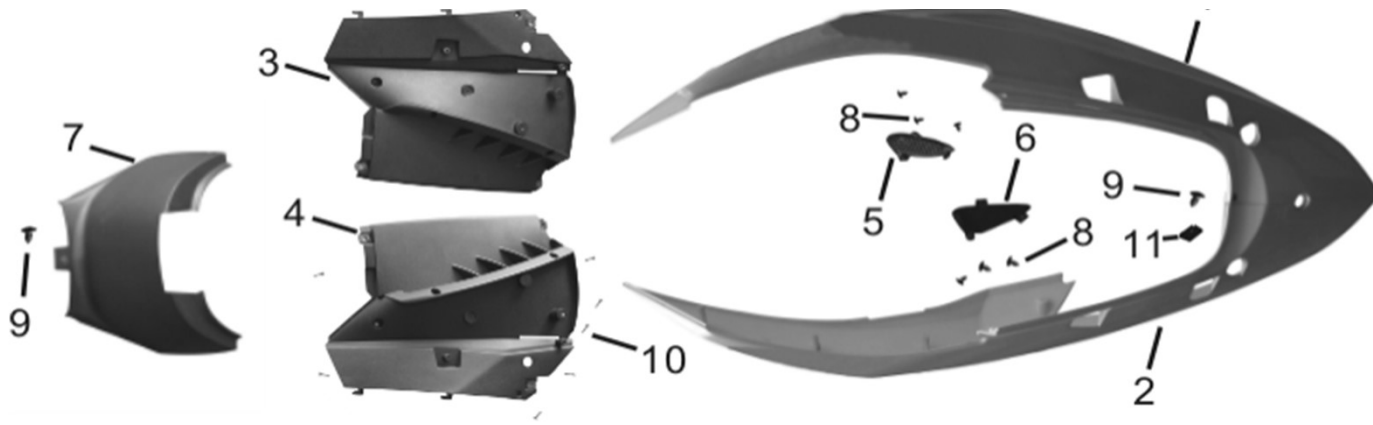


NO.	PART CODE	DESCRIPTION	QTY	NOTE
1	61100-MT10-0000	FRONT FENDER	1	
2	61101-MT10-0000	LEFT BRACKET,FR.FENDER	1	
3	61102-MT10-0000	RIGHT BRACKET,FR.FENDER	1	
4	80100-MT10-0000	FENDER RR TIRE	1	
5	80101-MT10-0000	RIGHT BRACKET,FENDER RR TIRE	1	
6	80102-MT10-0000	LEFT BRACKET,FENDER RR TIRE	1	
7	96002-06020-000	SOCKET HEAD SCREW M6*20	4	
8	61105-MT10-0000	WASHER	4	
9	90903-04012-000	TAPPING SCREW ST4.2*12	6	
10	90111-06014-000	STEP BOLT M6*14	3	

2

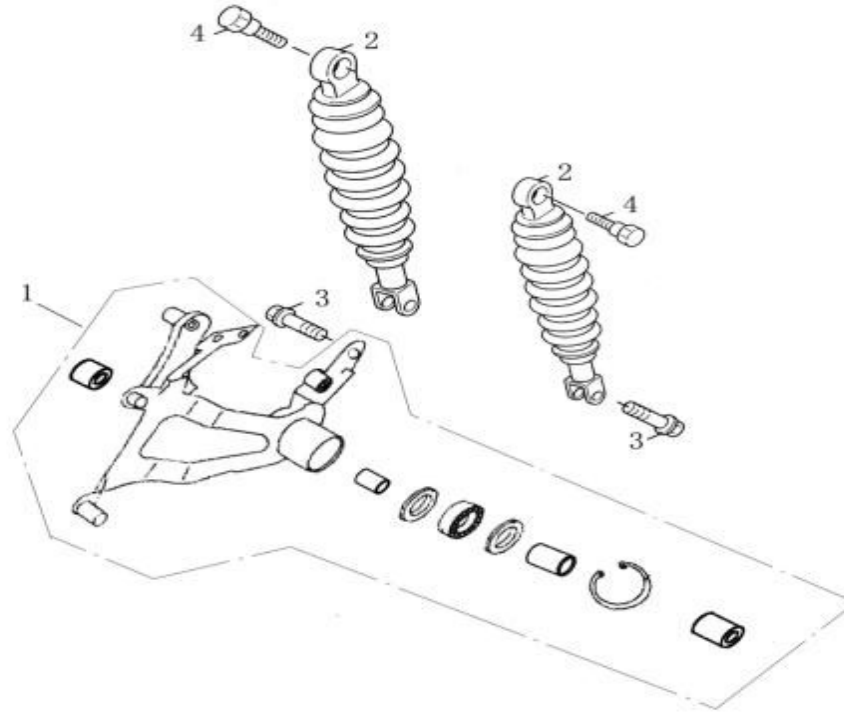
SIDE PANEL

1



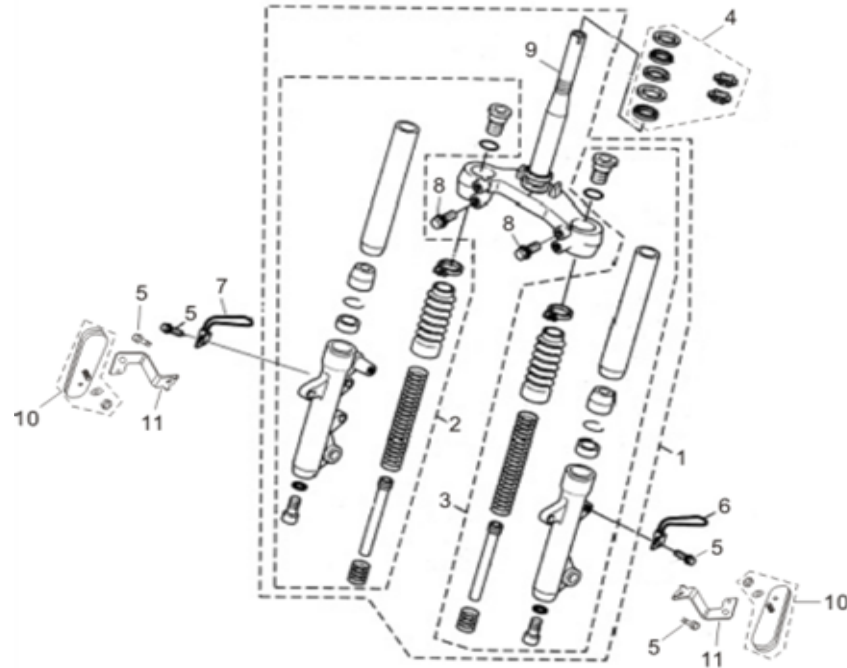
NO.	PART CODE	DESCRIPTION	QTY	NOTE
1	83500-MT10-0000	COVER R BODY	1	
2	83600-MT10-0000	COVER L BODY	1	
3	83610-MT10-0000	DECORATED BOARD,COVER R BODY	1	
4	83510-MT10-0000	DECORATED BOARD,COVER L BODY	1	
5	50327-MT10-0000	RIGHT GRILL	1	
6	50328-MT10-0000	LEFT GRILL	1	
7	80151-MT10-0000	COVER CENTER	1	
8	90903-04010-000	TAPPING SCREW ST4.2*10	6	
9	90903-06014-000	SCREW M6*14	1	
10	90903-04014-000	TAPPING SCREW ST4.2*14	10	
11	90302-04000-000	NUT SPRING 4MM	1	

REAR SHOCK ABSORBER



NO.	PART CODE	DESCRIPTION	QTY	NOTE
1	52000-MT10-0000	RR.ARM COMP.	1	
2	52400-MT10-0000	RR.SHOCK ABSORBER ASSY.	2	
3	95701-08030-000	BOLT M8×30	2	
4	95801-10040-000	FLANGE BOLT M10×40	2	

FRONT FORK

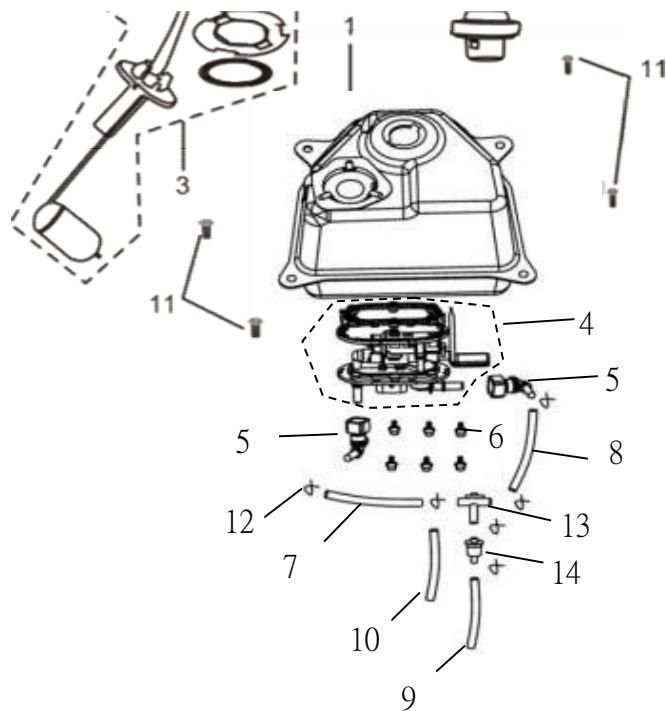


NO.	PART CODE	DESCRIPTION	QTY	NOTE
1	51000-MT10-0000	FR.FORK ASSY.	1	
2	51400-MT10-0000	R.FR.FORK ASSY.	1	
3	51500-MT10-0000	L.FR.FORK ASSY.	1	
4	96211-08000-000	BALL ASSY.,	1	
5	96006-06012-000	FLANGE BOLT M6*12	4	
6	53156-MT10-0000	CLAMP	1	
7	53157-MT10-0000	FUEL LINE CLIP,DISK BRAKE	1	
8	95801-08040-000	HEXAGONAL BOLT M8*40	4	
9	53200-MT10-0000	STEERING STEM	1	
10	33742-MT10-0000	FRONT REFLECTOR ASSY	2	
11	33743-MT10-0000	BRACKET,FRONT REFLECTOR	2	

5

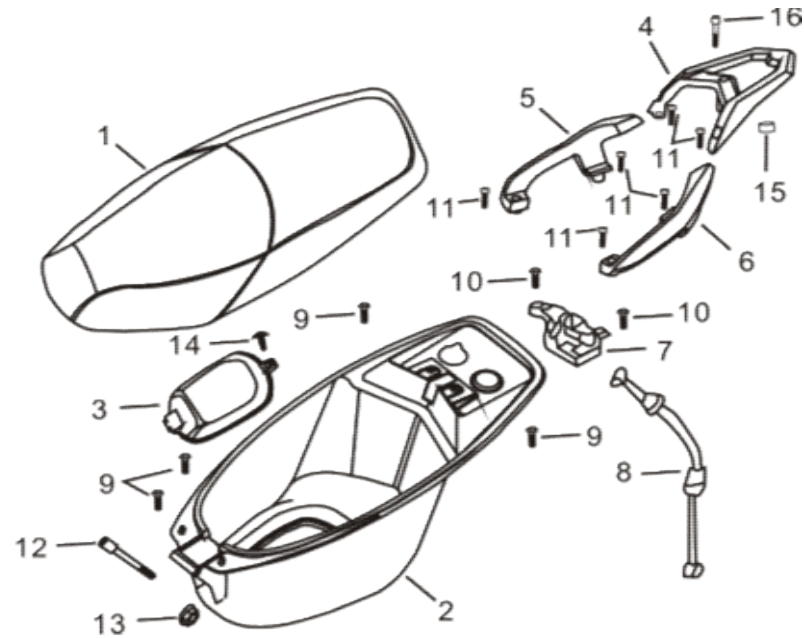
FUEL TANK





NO.	PART CODE	DESCRIPTION	QTY	NOTE
1	17500-MT10-0001	FUEL TANK	1	
2	1762A-MT10-0000	CAP,FUEL TANK	1	
3	3780A-MT10-0001	FUEL SENSOR ASSY	1	
4	16920-MT10-0001	FUEL FILTER	1	
5	37804-GT10-0000	OIL PIPE coupling	2	
6	93201-05012-000	SCREW PAN	6	
7	16911-MT10-0001	FUEL TUBE A	1	
8	16912-MT10-0001	FUEL TUBE B	1	
9	16913-MT10-0001	FUEL TUBE C	1	
10	16914-MT10-0001	TUBE ASSY FUEL VACUUM	1	
11	96001-06012-000	FLANG BOLT M6*12	2	
12	95002-02080	CLAMP FUEL PIPE	8	
13	16921-MT10-0001	OIL THREE PIPE	1	
14	16910-MT10-0001	STRAINER ASSY FUEL	1	

SEAT ASSEMBLY

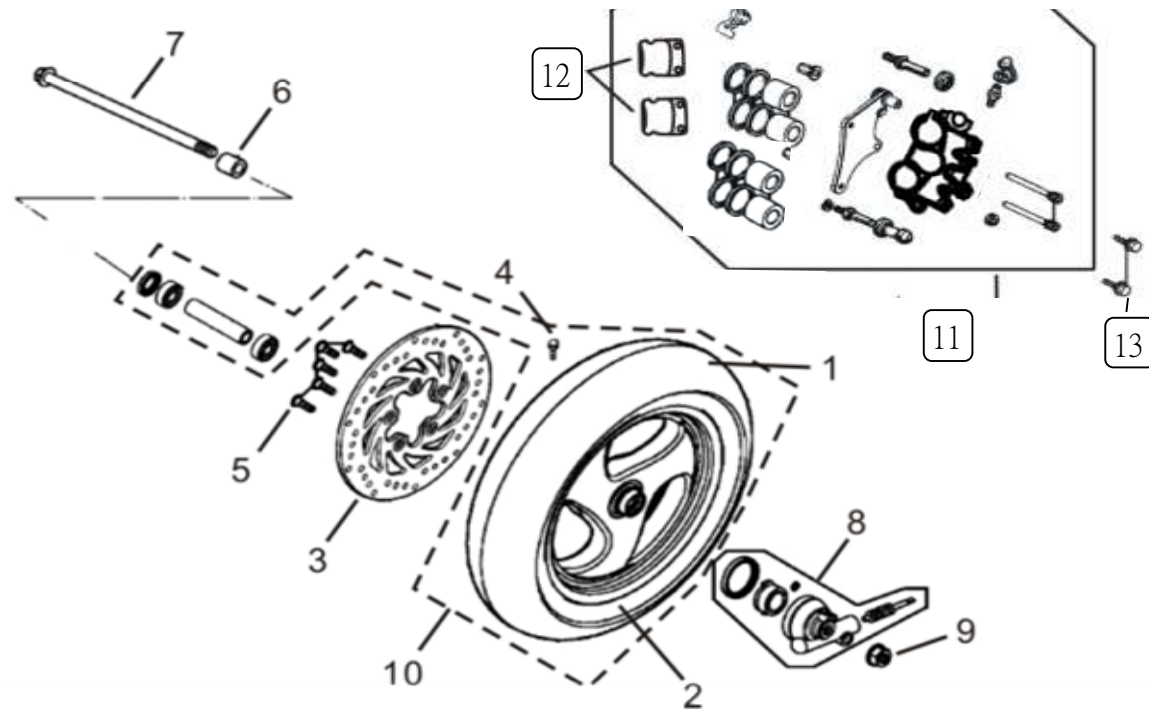


NO.	PART CODE	DESCRIPTION	QTY	NOTE
1	77200-MT10-0000	SEAT	1	
2	81260-MT10-0000	LUGGAGE BOX ASSY	1	
3	81251-MT10-0000	LID CARB MAINT	1	
4	1020A-MT10-0000	CARRIER ASSY RR	1	
5	8121A-MT10-0000	RIGHT REAR HANDRAIL	1	
6	8121B-MT10-0000	LEFT REAR HANDRAIL	1	
7	77235-MT10-0000	LOCK BASE OF SEAT	1	
8	77240-MT10-0000	CABLE OF SEAT LOCK	1	
9	96001-06014-000	FLANG BOLT M6*14	4	
10	96001-06014-000	FLANGE BOLT M6*12	2	
11	96002-08025-000	SOCKET HEAD SCREW M8*25	6	
12	77210-MT10-0000	SEAT PIN	1	
13	94050-06000-000	FLANGE NUT M6	1	
14	96003-06014-000	BOLT M6*14	1	
15	81206-MT10-0000	COLLAR,CARRIER ASSY	1	
16	96002-08075-000	SOCKET HEAD SCREW M8*75	1	

7

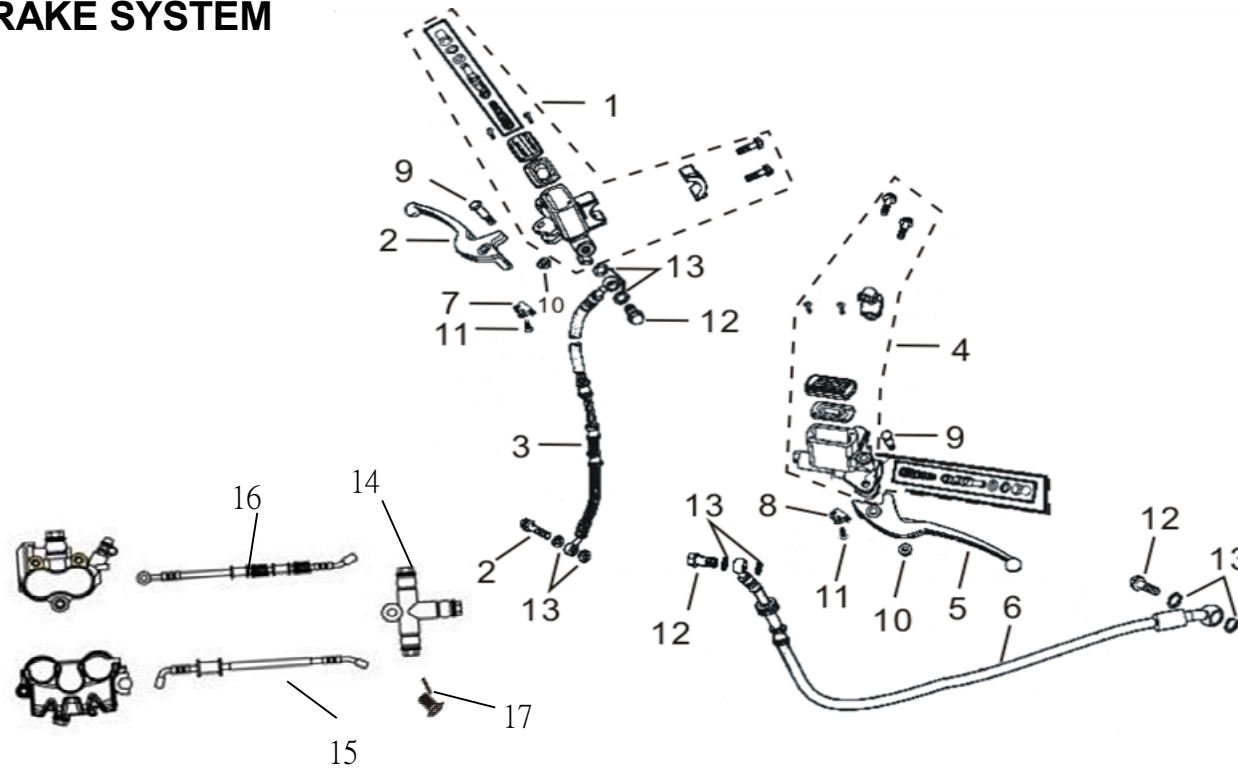
FRONT WHEEL





NO.	PART CODE	DESCRIPTION	QTY	NOTE
1	44710-MT10-0000	FRONT TIRE	1	
2	44650-MT10-0000	FRONT RIM	1	
3	45351-MT10-0001	DISK FR BRAKE	1	
4	42753-MT10-0000	VALVE RIM	1	
5	90105-08032-000	BOLT M8*32	3	
6	44311-MT10-0000	COLLAR RR AXLE	1	
7	44301-MT10-0000	AXLE FR WHEEL	1	
8	44800-MT10-0000	GEAR BOX ASSY FOR CALCULATE SPEED	1	
9	90306-12000-000	FLANGE NUT M12	1	
10	44700-MT10-0000	FRONT WHEEL	1	
11	45200-MT10-0001	CALIPER ASSY FR	1	
12	45150-MT10-0001	RR.BRAKE PAD	1	
13	90122-08035-000	FLANGE BOLT M8*35	2	

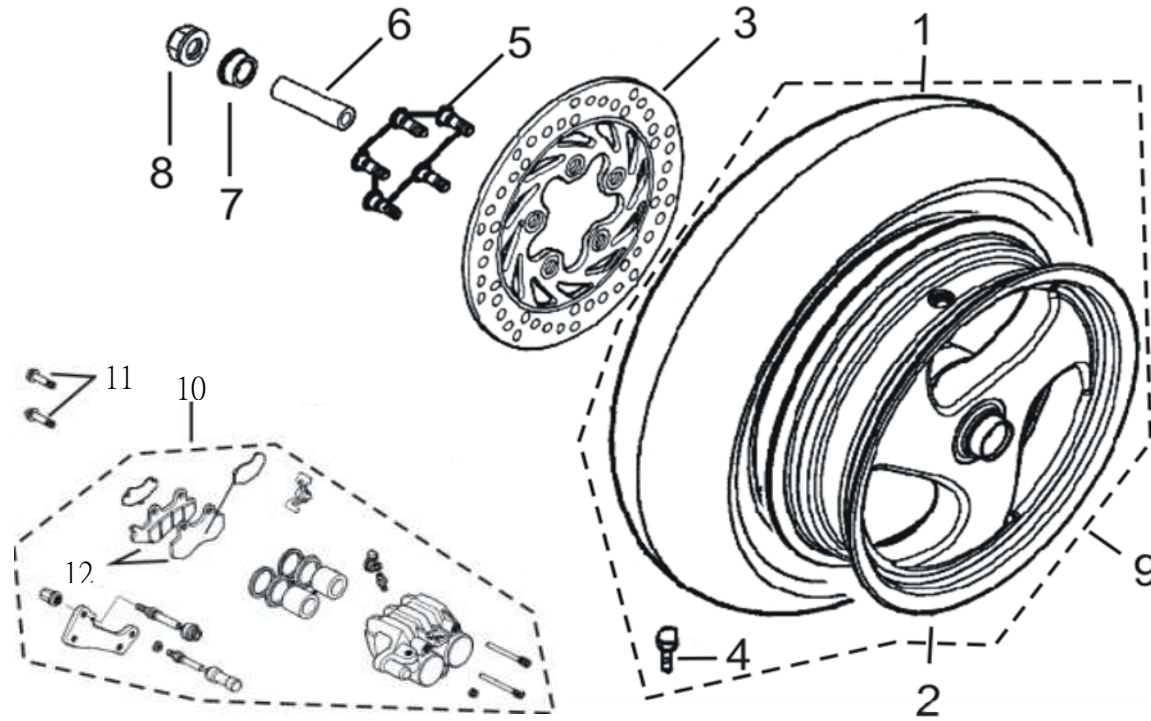
BRAKE SYSTEM



NO.	PART CODE	DESCRIPTION	QTY	NOTE
1	45530-MT10-0001	CYLINDER SET FR MASTER	1	
2	53175-MT10-0001	LEVER R	1	
3	45126-MT10-0001	HOSE ASSY FR BRAKE	1	
4	43530-MT10-0001	CYLINDER SET RR MASTER	1	
5	53178-MT10-0001	LEVER L	1	
6	43126-MT10-0001	HOSE ASSY RR BRAKE	1	
7	35340-MT10-0000	SWITCH ASSY FR BRAKE	1	
8	35350-MT10-0000	SWITCH ASSY RR BRAKE	1	
9	90114-MT10-0000	BOLT HANDLE LEVER	2	
10	94050-06000-000	FLANGE NUT M6	2	
11	93893-04012-000	SCREW WASHER M4*12	2	

12	90145-10022-000	OIL BOLT M10*22	8	
13	90545-MT10-0000	WASHER,OIL BOLT	16	
14	45211-MT10-0001	FR BRAKE THREE PIPE	1	
15	45127-MT10-0001	HOSE ASSY FR BRAKE	1	
16	45128-MT10-0001	HOSE ASSY FR BRAKE	1	
17	96001-060130-000	FLANG BOLT M6*30	1	

REAR WHEEL

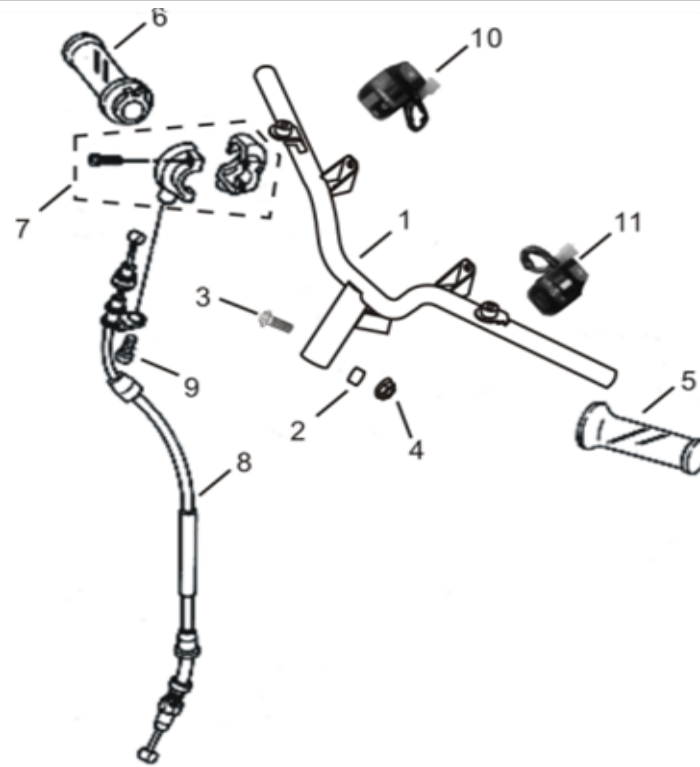


NO.	PART CODE	DESCRIPTION	QTY	NOTE
1	42710-MT10-0000	REAR TIRE	1	
2	42601-MT10-0000	REAR RIM	1	
3	43351-MT10-0001	REAR BRAKE DISK	1	
4	42753-MT10-0000	VALVE RIM	1	
5	90105-08024-000	BOLT M8*24	5	
6	42311-MT10-0000	COLLAR RR AXLE A	1	
7	42312-MT10-0000	COLLAR RR AXLE SIDE	1	
8	90305-16000-000	FLANGE NUT M16	1	
9	42700-MT10-0000	REAR WHEEL ASSY	1	
10	43100-MT10-0001	CALIPER ASSY RR	1	
11	90105-08012-000	BOLT M8*12	2	

12	43150-MT10-0001	RR.BRAKE PAD	1	
----	-----------------	--------------	---	--

10

HANDLE BAR

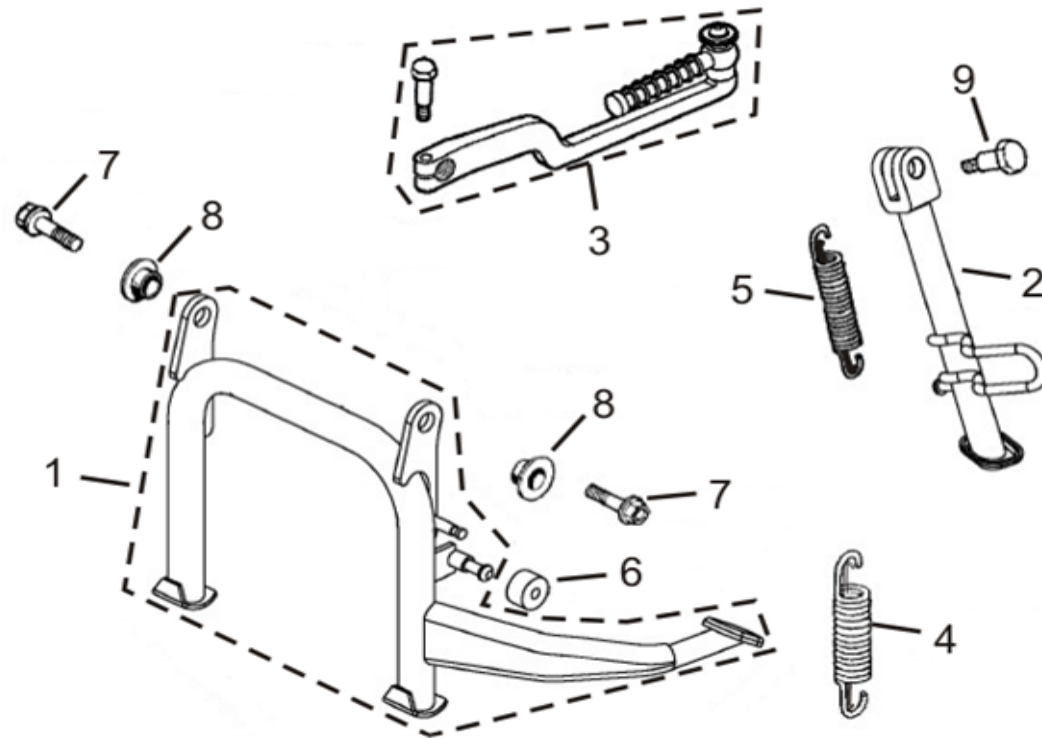


NO.	PART CODE	DESCRIPTION	QTY	NOTE
1	53100-MT10-0000	HANDLE BAR	1	
2	53125-MT10-0000	BUSH,HANDLE BAR	1	
3	90106-10045-000	FLANGE BOLT M10*45	1	
4	90304-10000-000	FLANGE NUT M10*1.25	1	
5	53166-MT10-0000	L.GRIP,HANDLE	1	
6	53140-MT10-0000	THROTTLE GRIP,HANDLE	1	
7	53160-MT10-0000	THROTTLE BRACKET	1	
8	17910-MT10-0001	THROTTLE CABLE	1	
9	93500-05010-000	CROSS ROUNDHEAD SCREW M5*10	1	

10	3515A-MT10-0001	SWITCH,HANDLEBAR R.	1	
11	3520A-MT10-0000	SWITCH,HANDLEBAR L.	1	

11

STAND ASSY

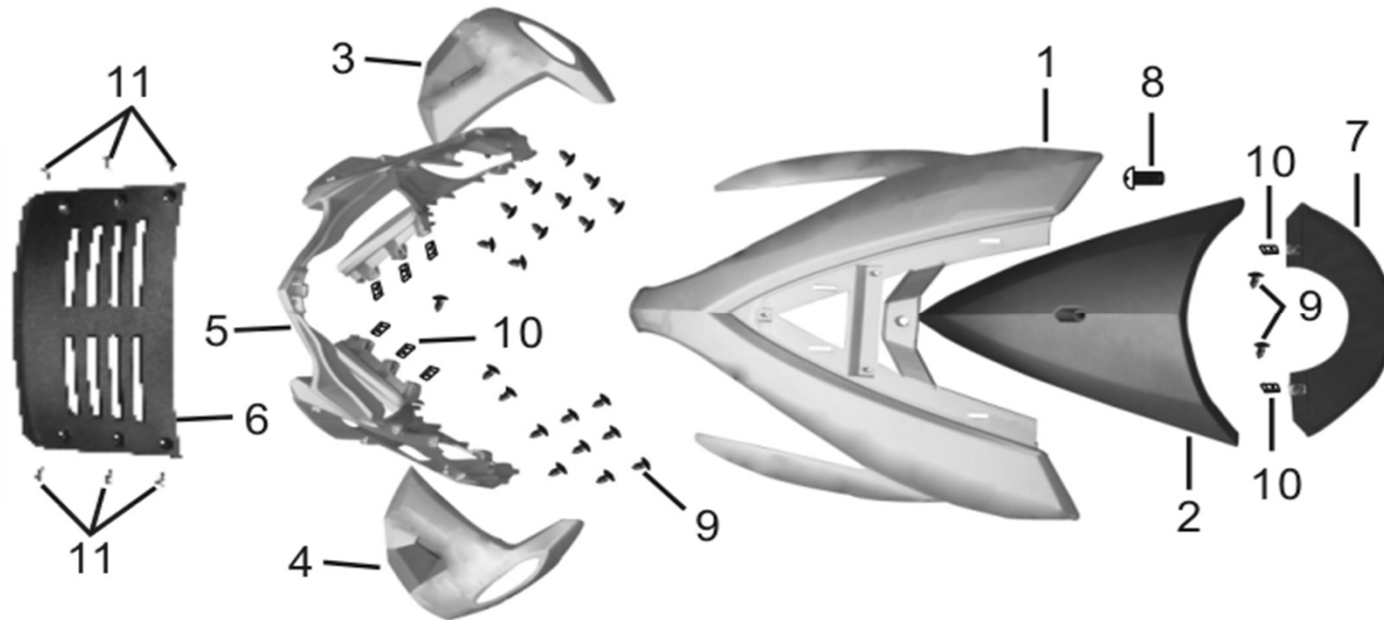


NO.	PART CODE	DESCRIPTION	QTY	NOTE
1	5050A-MT10-0000	STAND ASSY MAIN	1	
2	50530-MT10-0000	BAR SIDE STAND	1	
3	28300-GY57-0000	KICK STARTER	1	
4	50550-MT10-0000	SPRING OF MAIN STAND	1	
5	95014-MT10-0000	SPRING OF SIDE STAND	1	
6	50505-MT10-0000	RUBBER STOPPER MAIN	1	
7	95801-10025-000	FLANGE BOLT M10*25	2	
8	50502-MT10-0000	COLLAR MAIN STAND	2	

9	90108-MT10-0000	SCREW SIDE STAND PIVOT	1	
---	-----------------	------------------------	---	--

12

FRONT COVER

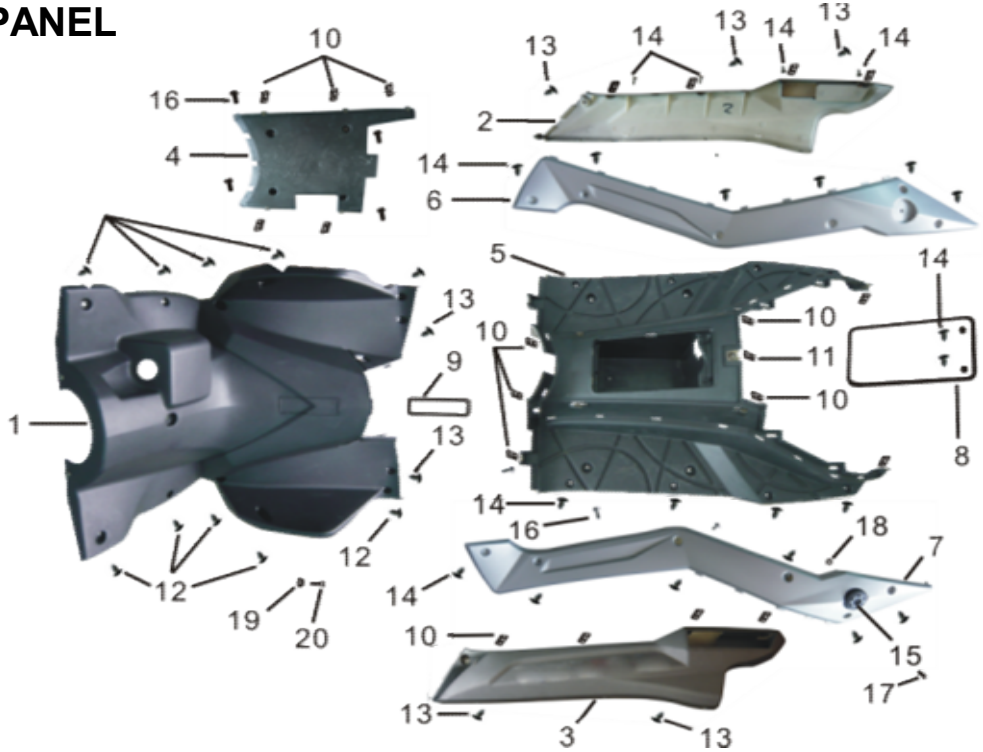


NO.	PART CODE	DESCRIPTION	QTY	NOTE
1	64302-MT10-0000	FRONT COVER	1	
2	64307-MT10-0000	DECORATED BOARD FRONT COVER	1	
3	64304-MT10-0000	RIGHT DECORATED BOARD,COVER FRONT	1	
4	64303-MT10-0000	LEFT DECORATED BOARD,COVER FRONT	1	
5	64301-MT10-0000	FRONT COVER BRACKET	1	
6	64400-MT10-0000	FRONT FENDER INNER	1	
7	64302-MT10-0000	LID COVER FR	1	
8	93500-06014-005	SCREW M6*14	1	
9	90903-04012-000	TAPPING SCREW ST4.2*12	23	
10	90302-04000-000	NUT SPRING 4MM	8	

11	90903-04016-000	TAPPING SCREW ST4.2*16	6
----	-----------------	------------------------	---

13

FLOOR PANEL

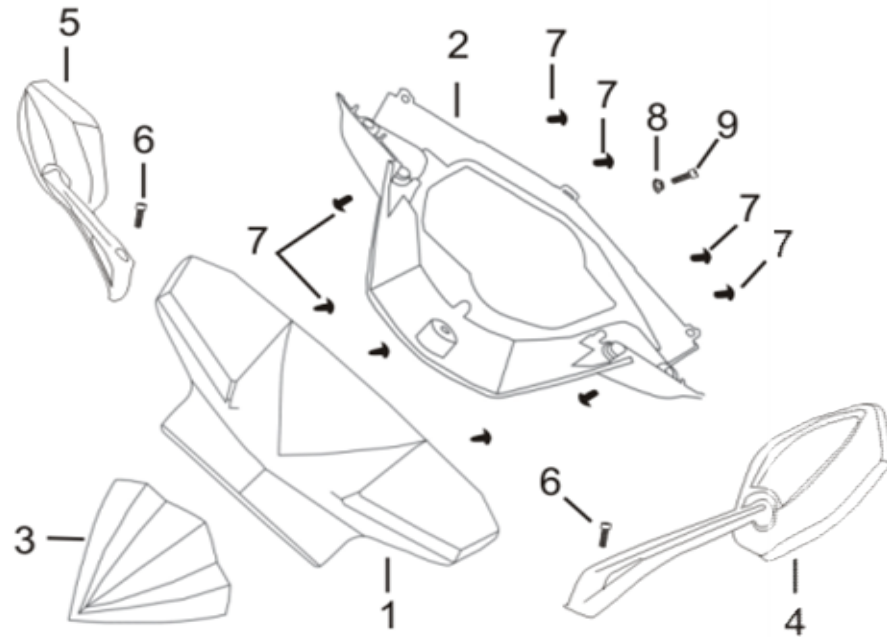


NO.	PART CODE	DESCRIPTION	QTY	NOTE
1	81131-MT10-0000	LEG SHIELD	1	
2	64305-MT10-0000	SKIRT R SIDE	1	
3	64306-MT10-0000	SKIRT L SIDE	1	
4	50613-MT10-0000	COVER UNDER	1	
5	64310-MT10-0000	FLOOR PANEL	1	
6	64311-MT10-0000	FLOOR PANEL RIGHT GUARD PLATE	1	
7	64312-MT10-0000	FLOOR PANEL LEFT GUARD PLATE	1	
8	50326-MT10-0000	COVER BATTERY	1	
9	81132-MT10-0000	LID LEG SHIELD	1	
10	90302-04000-000	NUT SPRING M4	20	

11	90302-04000-000	NUT CLIP M6	1	
12	90903-04016-000	TAPPING SCREW ST4.2*16	10	
13	90903-04012-000	TAPPING SCREW ST4.2*12	7	
14	90903-04016-000	TAPPING SCREW ST4.2*16	20	
15	64308-MT10-0000	DECORATION PART	2	
16	96001-06016-000	FLANGE BOLT M6*16	4	
17	93500-05025-000	SCREW M5*25	1	
18	93500-05000-000	NUT M5	1	
19	61105-MT10-0000	WASHER	1	
20	96002-06014-002	SOCKET HEAD SCREW M6*14	1	

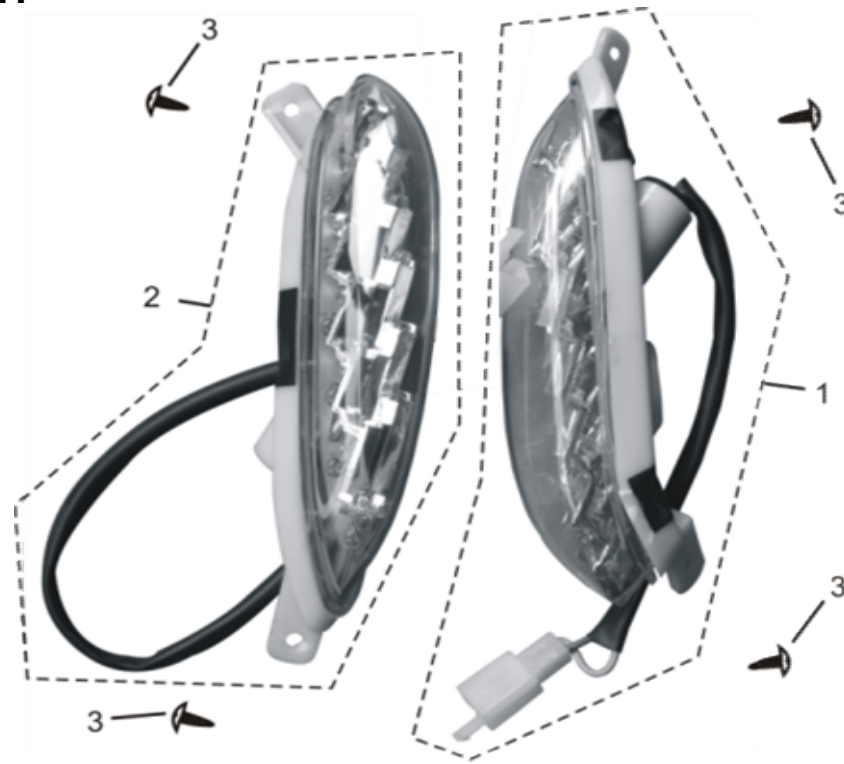
14

HANDLE BAR PANEL



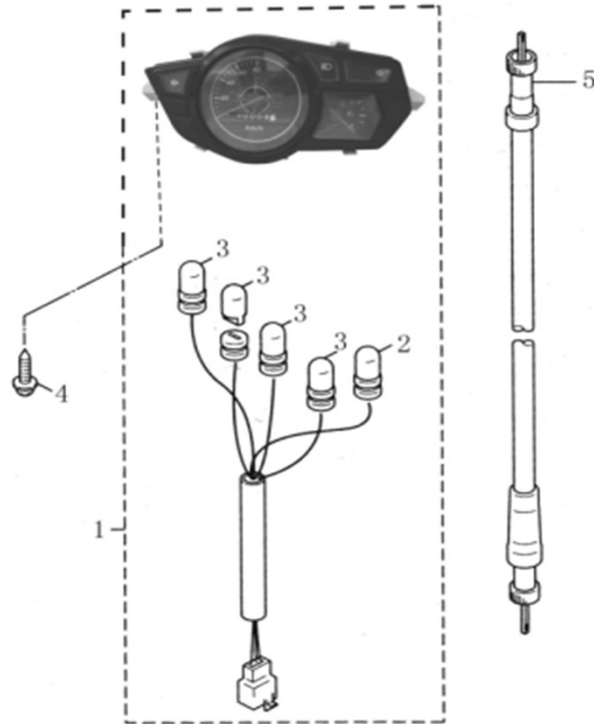
NO.	PART CODE	DESCRIPTION	QTY	NOTE
1	53205-MT10-0000	COVER FR HANDLE	1	
2	53206-MT10-0000	COVER RR HANDLE	1	
3	53208-MT10-0000	DECORATED BOARD FR HANDLE	1	
4	88120-MT10-0000	MIRROR ASSY L BACK	1	
5	88110-MT10-0000	MIRROR ASSY R BACK	1	
6	96002-08025-000	SOCKET HEAD SCREW M8*25	2	
7	93903-04014-000	TAPPING SCREW ST4.2*14	9	
8	53209-MT10-0000	WASHER	1	
9	96002-06015-000	SOCKET HEAD SCREW M6*15	1	

TURNING LIGHT



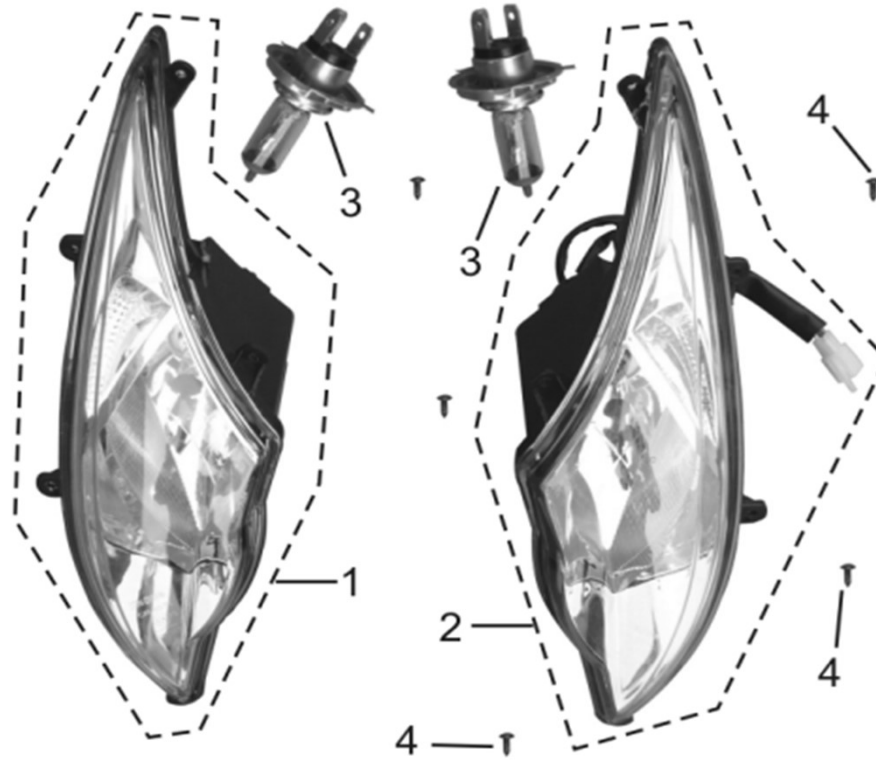
NO.	PART CODE	DESCRIPTION	QTY	NOTE
1	33450-MT10-0000	L.FR.TURNING LIGHT ASSY	1	
2	33400-MT10-0000	R.FR.TURNING LIGHT ASSY	1	
3	93903-04012-000	TAPPING SCREW ST4.2*12	4	

SPEEDOMETER



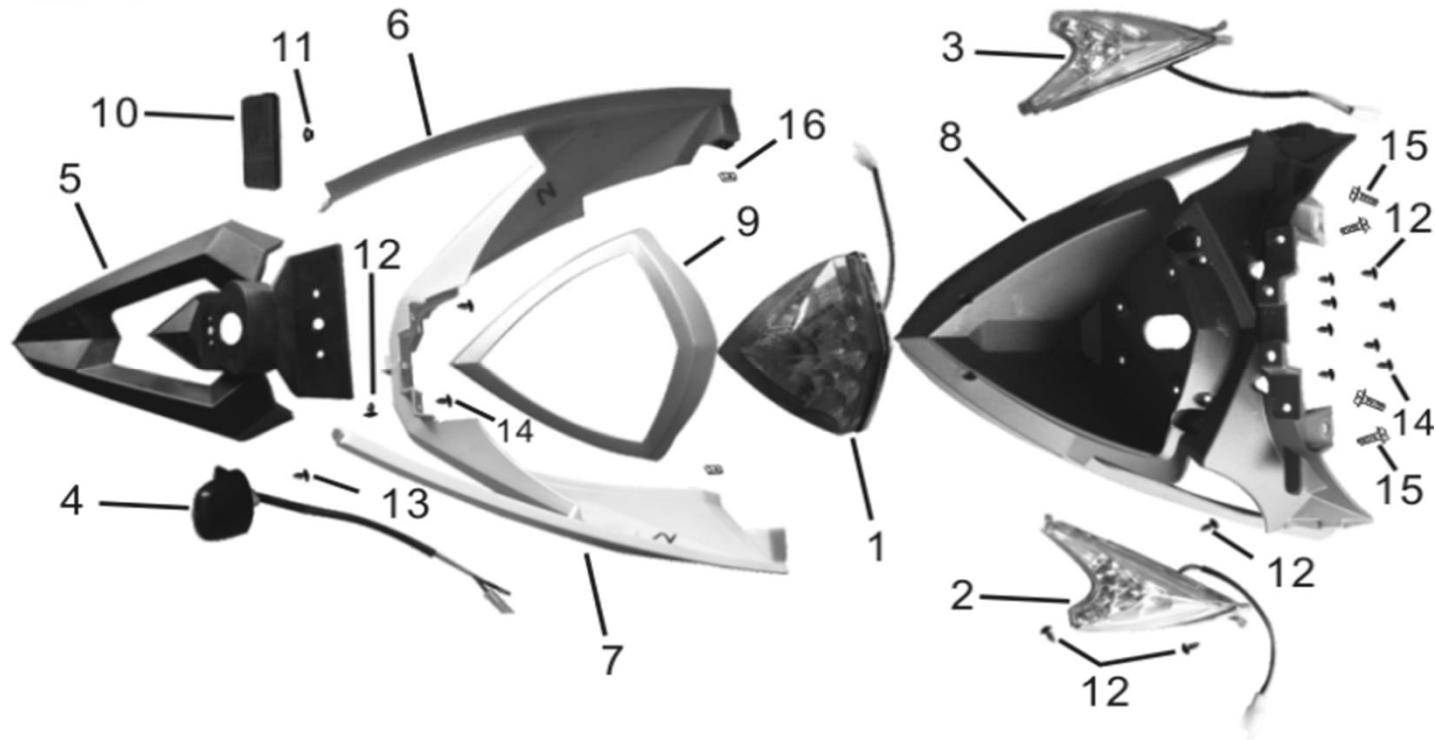
NO.	PART CODE	DESCRIPTION	QTY	NOTE
1	37200-MT10-0001	SPEEDOMETER ASSY.(WITH OBD)	1	
2	37272-MT10-0000	SIGNAL INDICATOR LIGHT 12V,3W	1	
3	37271-MT10-0000	SIGNAL INDICATOR LIGHT 12V,3W	4	
4	93903-04016-000	TAPPING SCREW ST4.2*16	3	
5	44831-MT10-0000	MILEAGE CABLE	1	

HEADLIGHT



NO.	PART CODE	DESCRIPTION	QTY	NOTE
1	33101-MT10-0000	RIGHT HEADLIGHT	1	
2	33102-MT10-0000	LEFT HEADLIGHT	1	
3	34901-MT10-0000	BULB OF HEADLIGHT 12V 35/35W	2	
4	90903-04014-000	TAPPING SCREW ST4.2*14	10	

TAILLIGHT

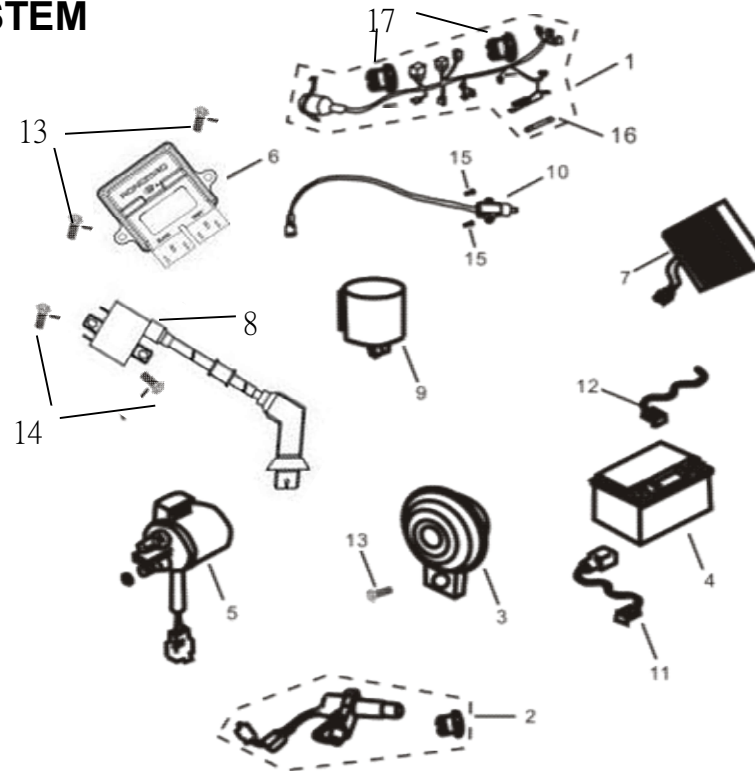


NO.	PART CODE	DESCRIPTION	QTY	NOTE
1	33700-MT10-0000	TAILLIGHT ASSY	1	
2	33600-MT10-0000	R.RR.TURNING LIGHT ASSY	1	
3	33650-MT10-0000	L.RR.TURNING LIGHT ASSY	1	
4	33750-MT10-0000	LICENSE PLATE LAMP	1	
5	80105-MT10-0000	REAR FENDER	1	
6	33702-MT10-0000	LEFT DECORATED BOARD TAILLIGHT	1	
7	3370A-MT10-0000	RIGHT DECORATED BOARD TAILLIGHT	1	
8	33703-MT10-0001	FITTING SEAT OF TAILLIGHT	1	
9	33701-MT10-0000	DECORATED BOARD TAILLIGHT	1	
10	33741-MT10-0000	REAR REFLECTOR	1	
11	94050-06000-000	FLANGE NUT M6	1	

12	90903-04016-000	TAPPING SCREW ST4.2*16	11	
13	90903-05020-000	TAPPING SCREW M5*20	1	
14	90903-04010-000	TAPPING SCREW ST4.2*10	6	
15	96001-06012-000	FLANGE BOLT M6*12	4	
16	90302-04000-000	NUT SPRING M4	2	
17	94050-05000-000	FLANGE NUT M5	1	

19

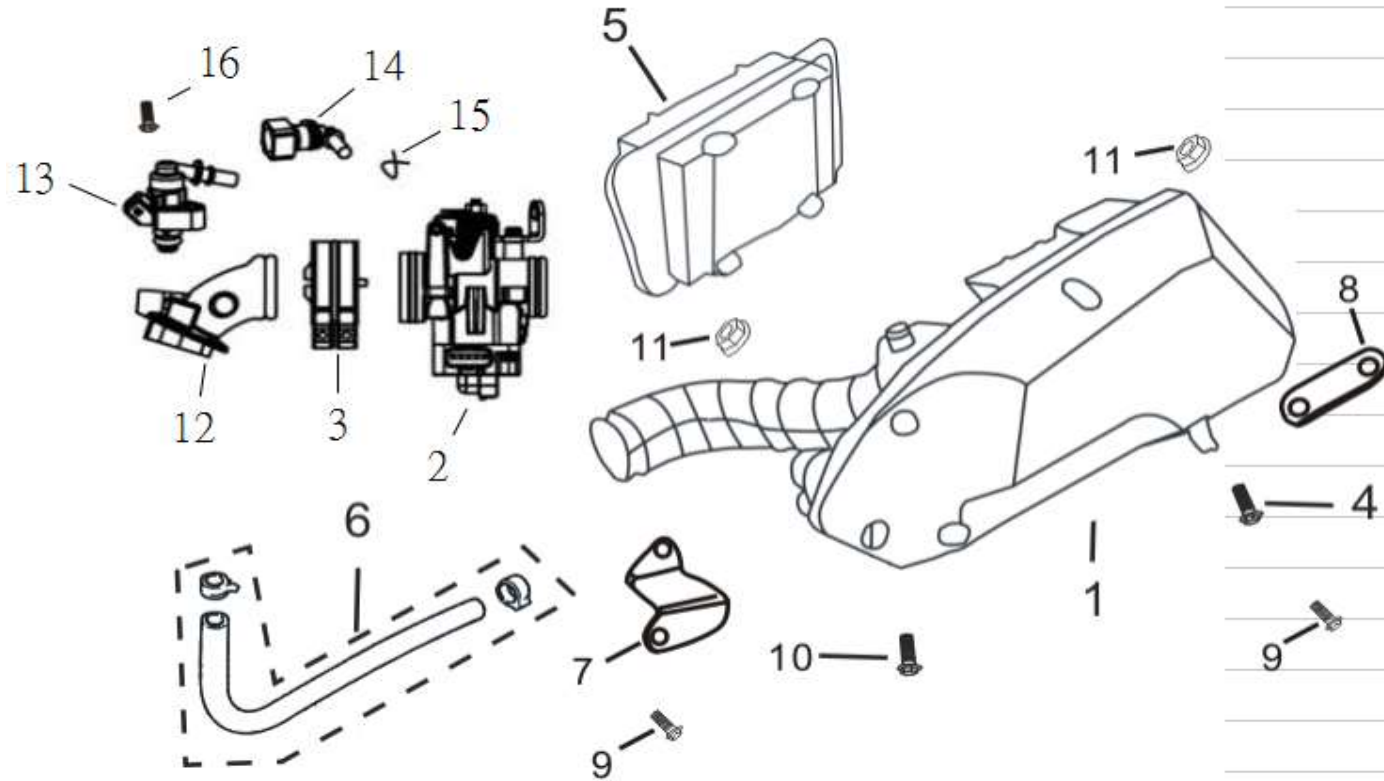
ELECTRICAL SYSTEM



NO.	PART CODE	DESCRIPTION	QTY	NOTE
1	32100-MT10-0001	MAIN WIRE HARNESS	1	
2	35101-MT10-0000	MAIN LOCK ASSY	1	
3	38110-GT0-0000	HORN	1	
4	31500-MT10-0000	BATTERY	1	

5	35850-MT10-0000	START RELAY	1	
6	30500-MT10-0001	ECU	1	
7	31600-MT10-0000	RECTIFIER	1	
8	30510-MT10-0001	IGNITION COIL COMP.	1	
9	38300-MT10-0000	FLASHER	1	
10	35370-MT10-0000	KILL SWITCH	1	
11	3241-MT10-0000	CATHODE LINE	1	
12	32411-MT10-0000	ANODE LINE	1	
13	96001-06012-000	FLANGE BOLT M6*12	3	
14	90112-06016-000	STEP BOLT M6*16	2	
15	93500-05012-000	SCREW M5*12	2	
16	98200-15000-000	FUSE	1	
16	98300-15000-000	RELAY	2	

AIR FILTER

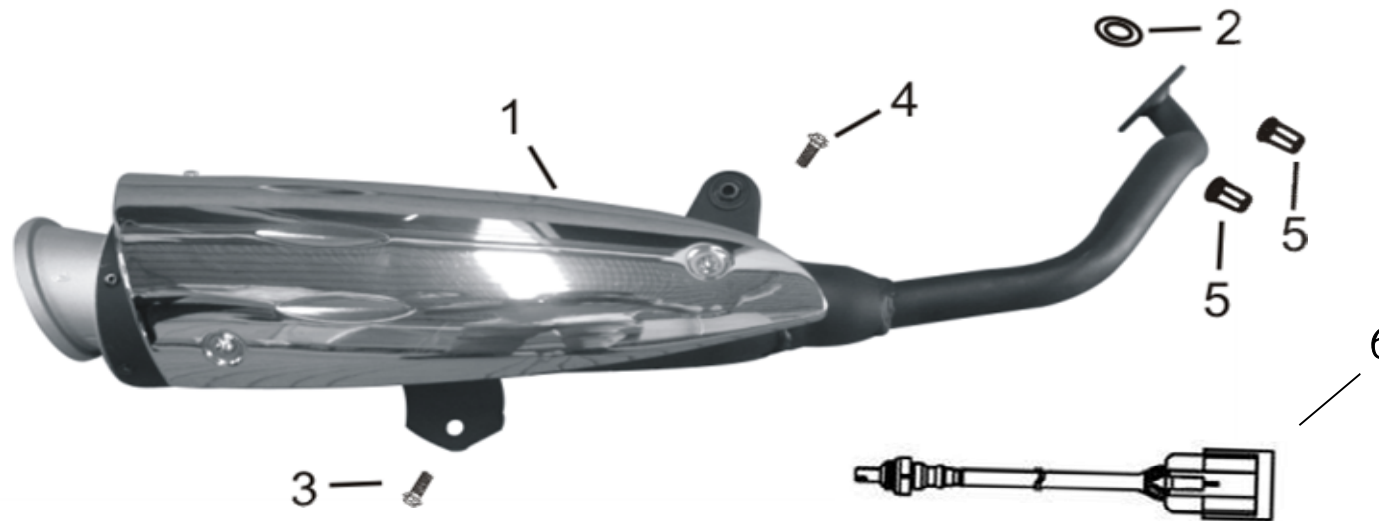


NO.	PART CODE	DESCRIPTION	QTY	NOTE
1	17200-MT10-0000	AIR FILTER	1	
2	17300-MT10-0000	TUBE MISSION BREATHER	1	
3	17320-MT10-0000	CONTROLLER TO INCREASE AIR THICKNESS	1	
4	90114-06035-000	FLANGE BOLT M6*35	1	
5	1721A-MT10-0000	ELEMENT, AIR FILTER	1	
6	11211-MT10-0000	TUBE MISSION BREATHER	1	
7	1725A-MT10-0000	AIR FILTER BRACKET A	1	
8	1725B-MT10-0000	AIR FILTER BRACKET B	1	
9	96001-06012-000	FLANGE BOLT M6*12	2	

10	96001-06050-000	FLANGE BOLT M6*50	1	
11	94050-06000-000	FLANGE NUT M6	2	
12	17310-MT10-0001	INTAKE PIPE	1	
13	17400-MT10-0000	fuel spray nozzle	1	
14	37810-MT10-0000	Quick joint of tubing	1	
15	95002-02080	CLAMP FUEL PIPE	1	
16	90114-06030-000	FLANGE BOLT M6*30	2	

21

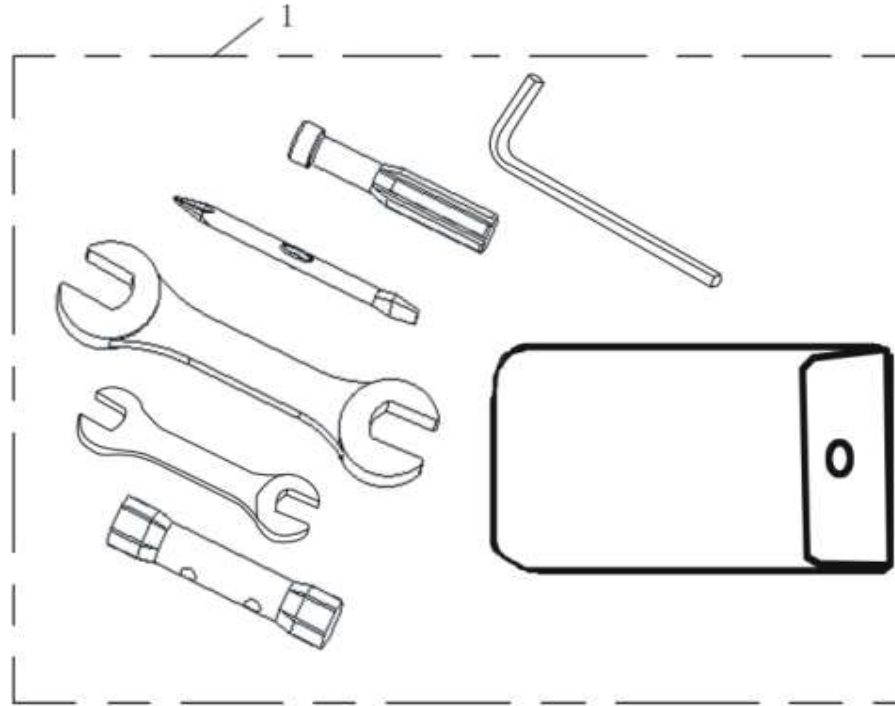
EXHAUST SYSTEM



NO.	PART CODE	DESCRIPTION	QTY	NOTE
1	1830A-MT10-0001	EXHAUST MUFFLER ASSY.(CATALYZER)	1	
2	18291-GT10-0000	GASKET OF EXHAUST PIPE	1	
3	96001-08025-000	FLANGE BOLT M8*25	1	

4	96001-08037-000	FLANGE BOLT M8*37	1	
5	90301-08000-000	NUT M8,EXHAUST PIPE	2	
6	18600-GT10-0001	Oxygen sensor	1	
22				

TOOLS



NO.	PART CODE	DESCRIPTION	QTY	NOTE
1	89010-MT10-0000	DRIVER'S TOOLS	1	