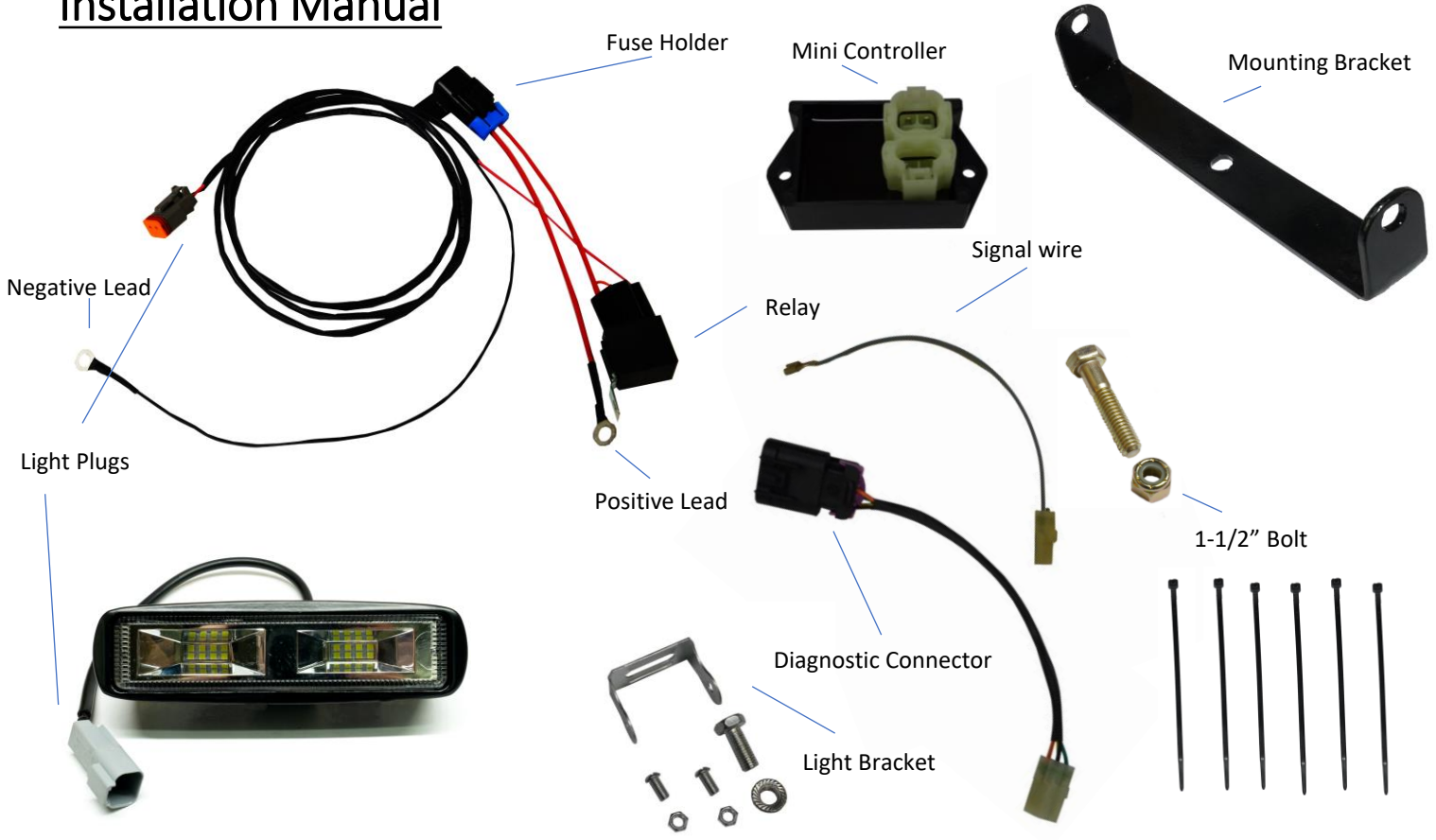


Polaris Sportsman Reverse Light Kit with Auxiliary Output Option Installation Manual



Included:

Description	Quantity
Wiring Harness	1
Relay	1
Bracket & Hardware	1
Light	1
Zip Ties	6

Required tools:

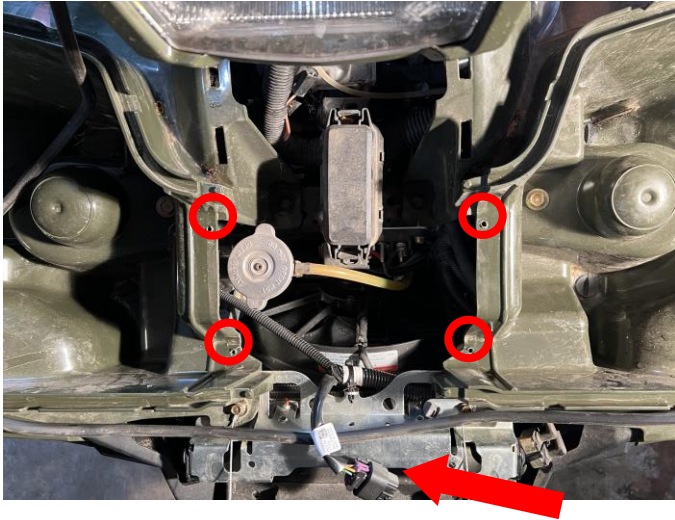
Torx T-25 Bit
10mm Socket
1/2" Deep-Well Socket
1/2" Combination Wrench
Wire Cutter (trimming zip ties)

Read entire manual before beginning installation process.

Disclaimer: Sam's Backup Lights is not responsible for any damage due to improper installation.

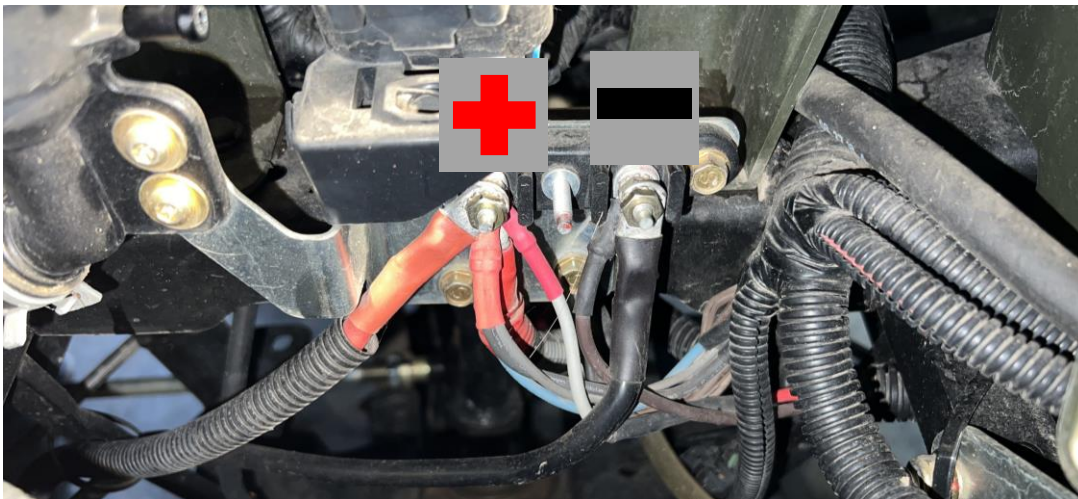
Step 1: Remove Plastics

- 1) Remove center plastic in cargo compartment to access bus bar using T-25 Torx bit.
- 2) Remove clutch side panel (two plastic rivets).



Step 2: Connect Diagnostic Connector & Power Leads

- 1) Remove diagnostic connector cover and plug integrated connector into reverse light wiring harness.
- 2) Connect positive lead to positive terminal of bus bar and negative lead to negative terminal.



For instruction video

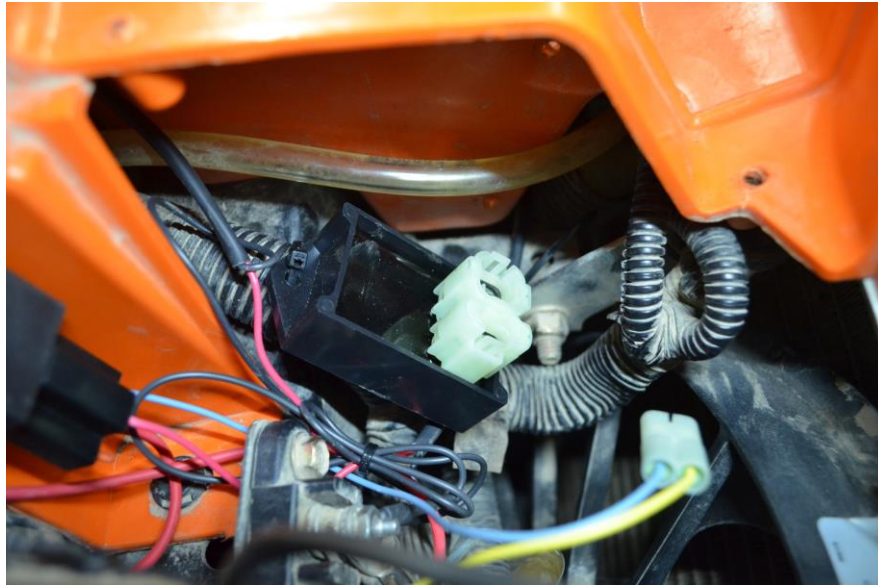
Scan QR code:



Step 3: Mount Controller, Relay, & Fuse

1) Secure controller, relay, and fuse by using zip ties

Note: Make sure to keep wires away from fan.



Step 4: Mount Light

1) Attach the light to its bracket. Be sure to slide the bolt through the bracket before attaching to light. Attach light bracket to mounting bracket.

2) Remove nut on the right side and fix left side with provided 1-1/2" bolt.



Step 5: Route Power to Light

- 1) Run wire and connector along stock wiring harness back to reverse light, while zip-tying the wire as needed.
- 2) Plug in the reverse light.



Step 6: Auxiliary Output Option

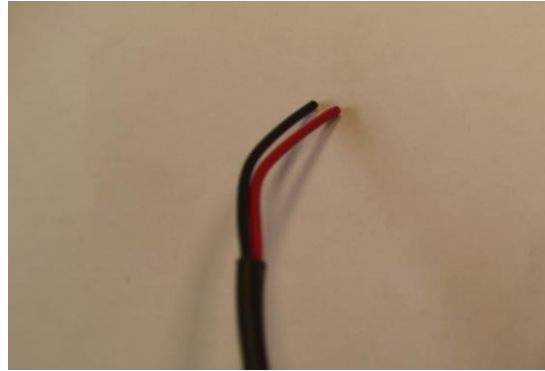
- 1) Mount fuse and relay by using zip-ties.
- 2) Plug two pin connector into the mini controller box.



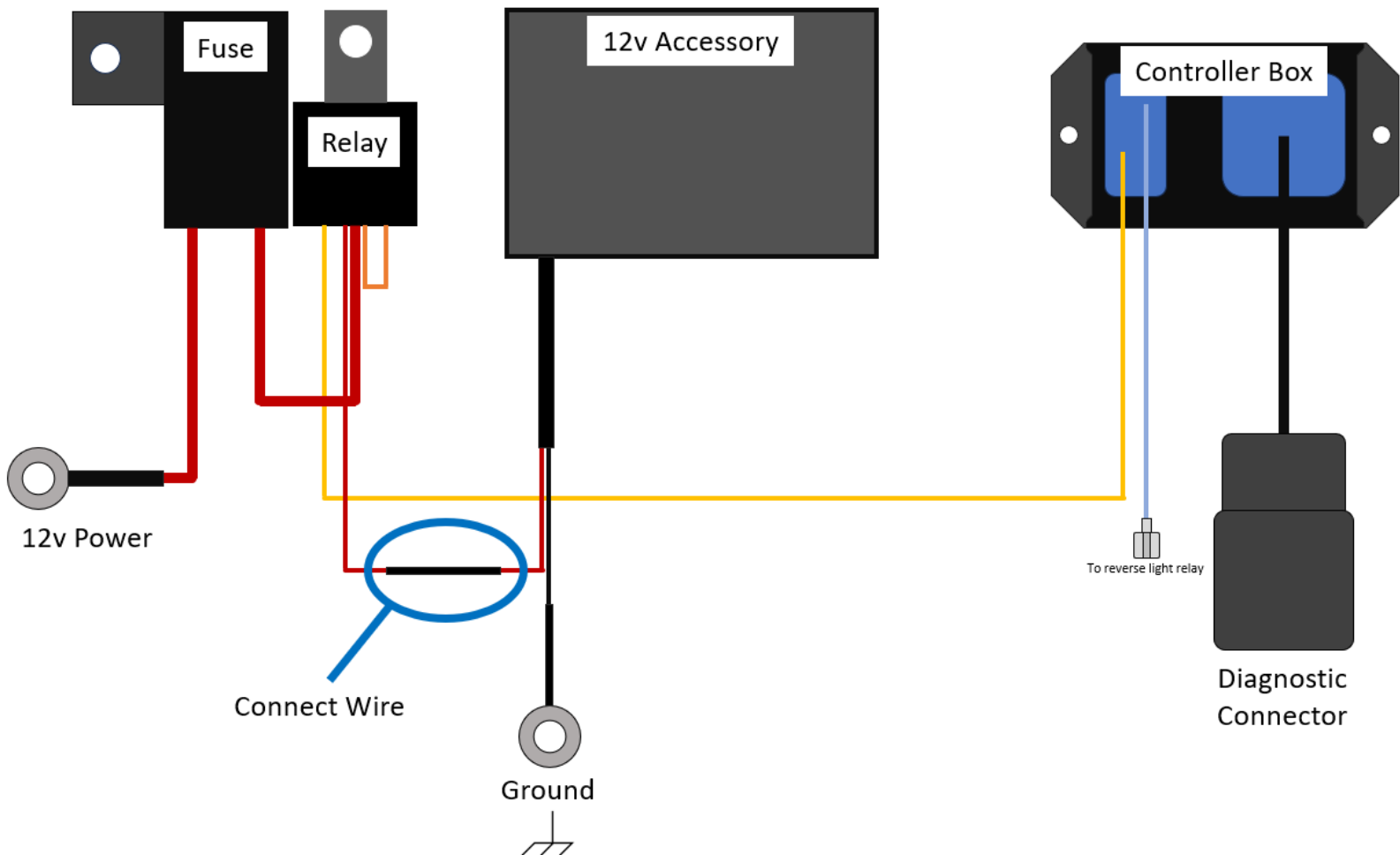
- 3) Put the red wire to positive terminal on the bus bar and the black to negative.

Step 6: Auxiliary Output Option

4) The red wire goes to positive on the accessory, black wire goes to negative.



Auxiliary Output Option



Step 7: Reinstall Plastics



Operation of Reverse Lights

Our controllers have been programmed with a manual override feature. Back-up lights may be turned on without the vehicle in reverse.

•Fully Automatic When Shifted to Reverse

1. No programming needed

•Manual Override Function

1. Shift the vehicle into neutral
2. Press reverse-override button once. The reverse light will turn on and remain on.

***To turn the light off repeat this procedure.**

Operation of Auxiliary Output Option

•Manual Override Function

1. Auxiliary output is turned ON by pressing the reverse override button two times within 1 second while in Park, High, or Low gear

***To turn the accessory off repeat this procedure.**

Note: If the ignition is turned off while the vehicle is in reverse, or the manual override function is enabled, the lights will remain ON until the ECU enters sleep mode (approximately 30 seconds - 2 minutes depending on vehicle and ECU type).