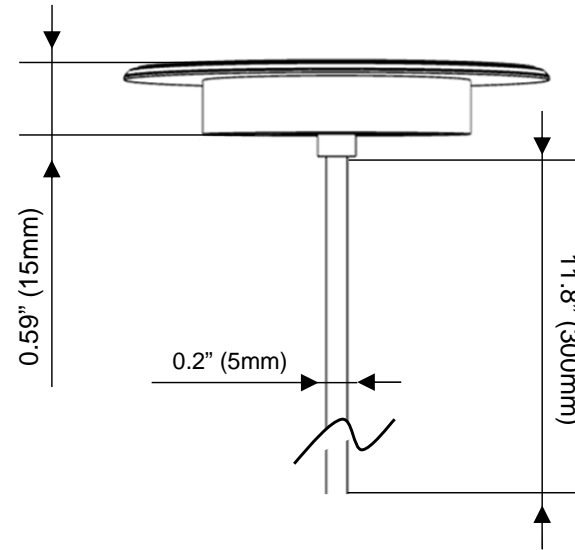
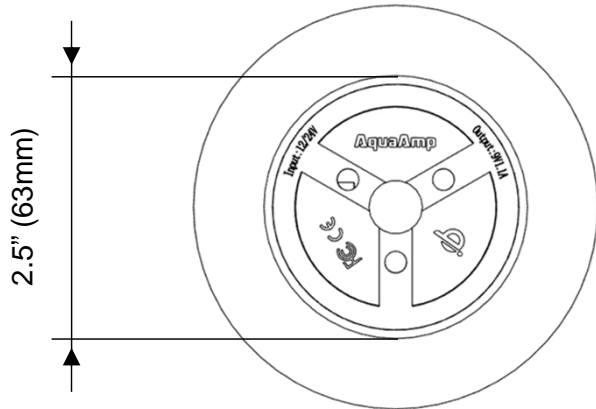
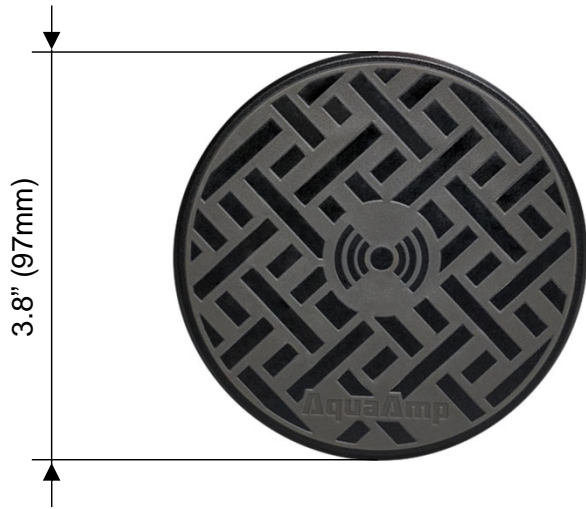


AquaAmp

Technical Drawing: 110-2 Wireless Charger



Technical Information

Input Voltage Range	10-30V DC (12 / 24V system)
Input Current Max	2A
Output Power	10W (9V, 1.1A)
Standby current Draw	< 0.1W
Waterproof rating	IPx6 front and back
Certifications	Qi, CE, FCC, ROHS, UNECE R10 E24, RCM

Contact:
orders@aquaamp.com
1108 Eldridge St, Clearwater, FL 33755

For further information visit www.aquaamp.com