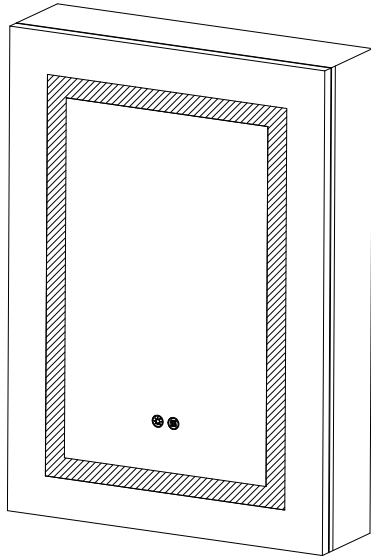
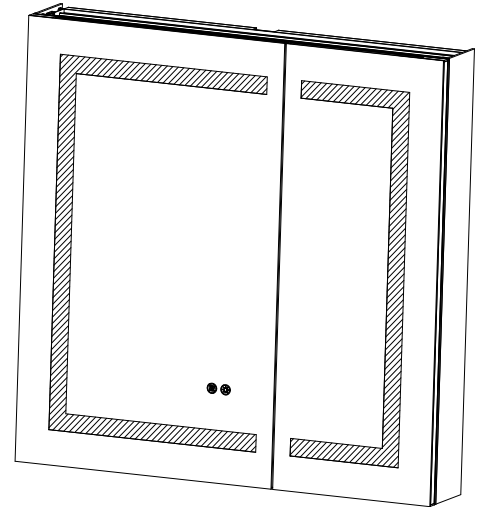


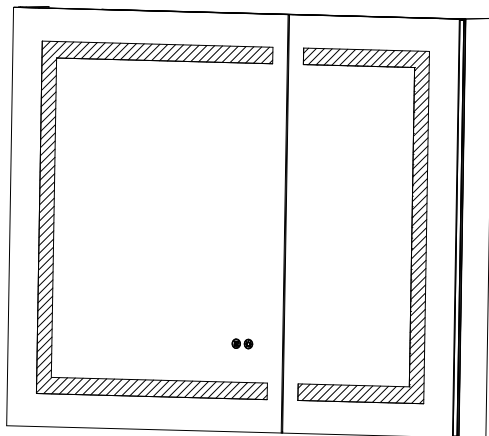
LED MIRROR CABINET INSTRUCTION GUIDE



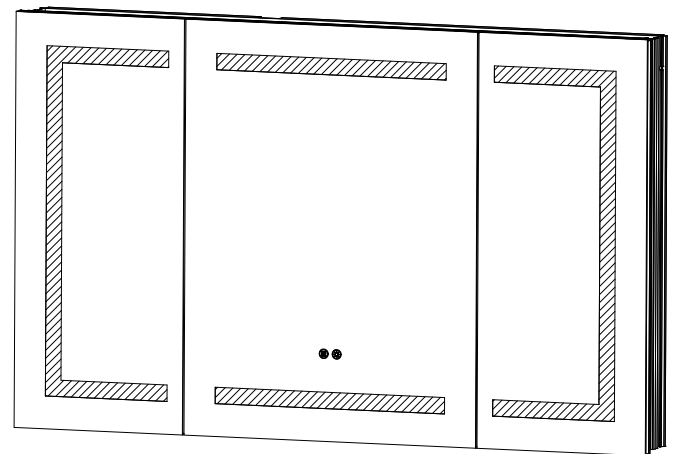
SIZE: 24 X30 INCH



SIZE:30 X30 INCH



SIZE:36 X30 INCH



SIZE:48 X36 INCH

Note before Installing:

1. Don't discard any of the packaging until you are sure that you have all of the parts and the fitting.
2. Make sure the main power must be cut off before installation.
3. This product contains glass parts. Care must be taken when fitting or handling these parts

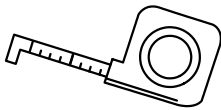
to prevent personal injury or damage to the products; if the glass is broken, please stop using it and replace it from the agent or manufacturer.

4. Ensure the mounting surface is dry and strong enough to bear four times the weight of the fixture for the safe fitting of this fixture.
5. Care must be taken before drilling fixing holes to avoid any existing wiring or pipe that may be concealed.

Preparation:

1. Open the carton package, take out the EPE on the mirror front, then put it on the floor.
2. Take out the whole mirror from the PE bag and lay the mirror on the poly foam on the floor, mirror face down.
3. Then remove the mirror door to prepare the next installation.
4. Prepare the installation tools and the fittings bag.

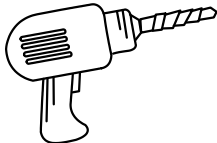
Tools required of installing an LED medicine cabinet:



TAPE MEASURE



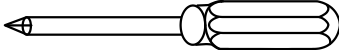
PENCIL



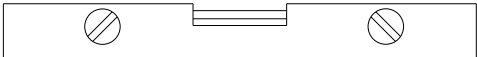
ELECTRIC DRILL



HAMMER

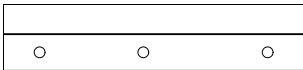


+SCREWDRIVER



Level

Parts Included:



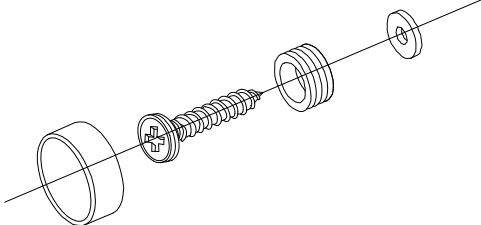
Mounting Brackets X 1/2



SELF-TAPPING SCREW X 3-6PCS



EXPANSION TUBE X 14



SCEW ACCESSORIES X 8PCS



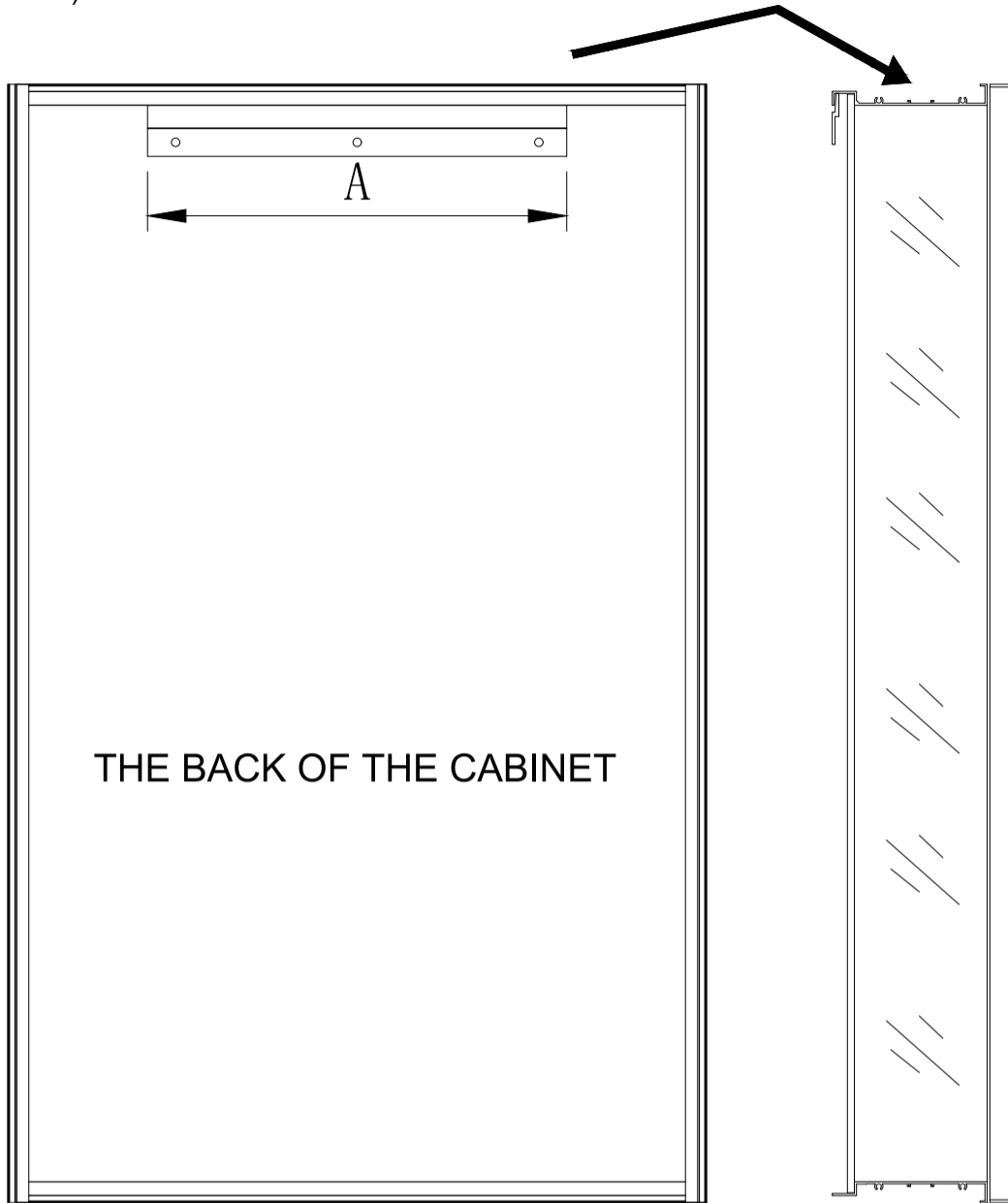
GLOVE X 1PAIR

Installation instruction of the wall-mounted LED medicine cabinet

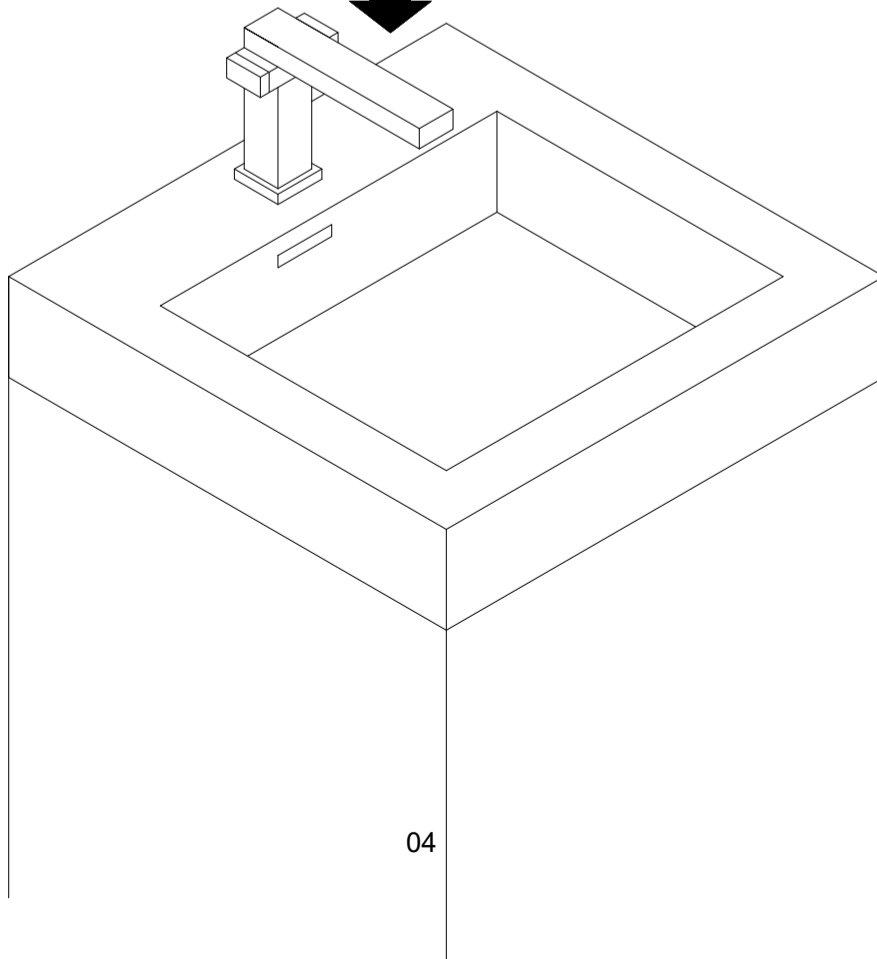
Step 1: First, determine the installation height of the medicine cabinet.

Then determine the position of the hanger according to the height of the medicine cabinet.

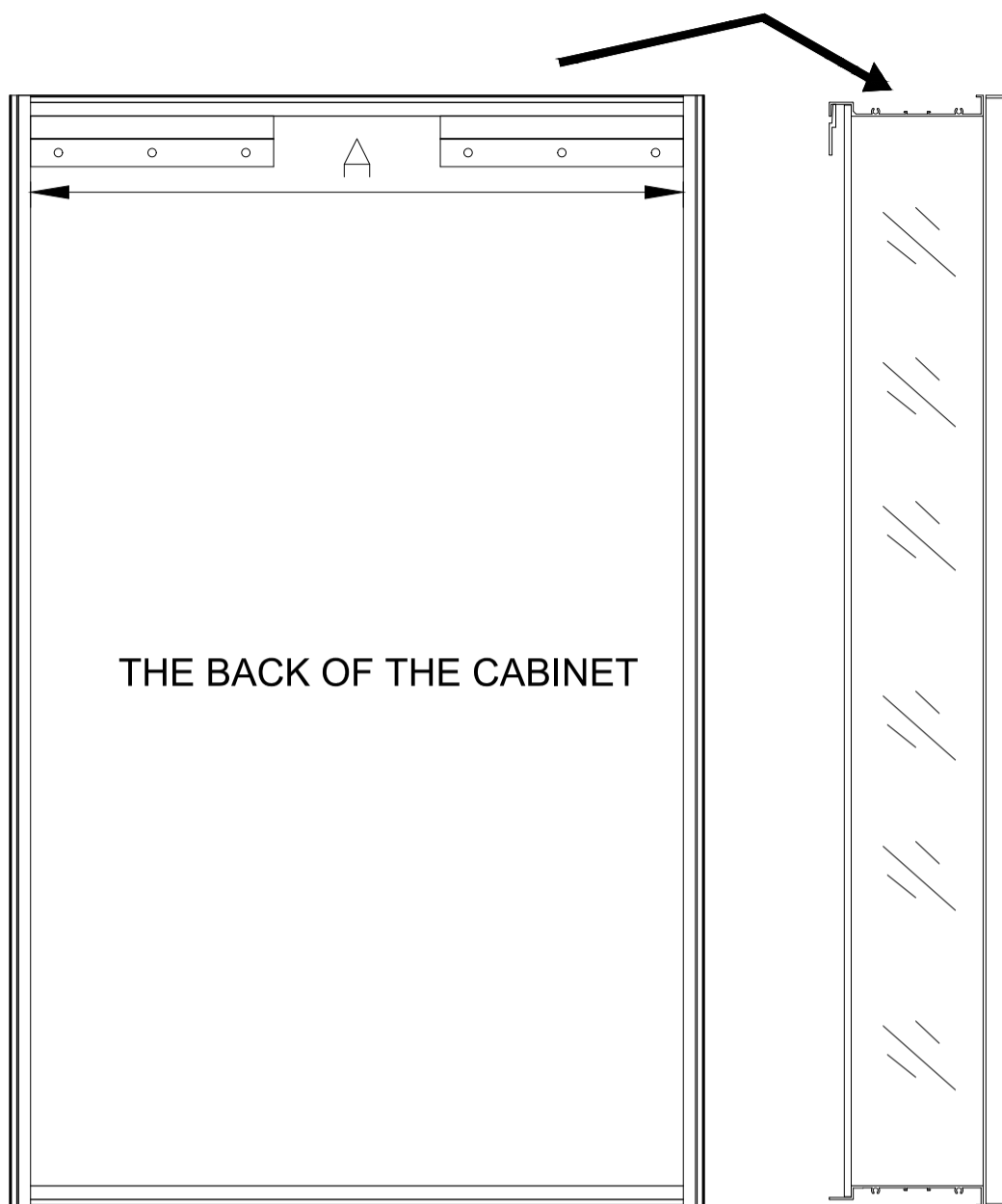
Place 1pcs mounting bracket on the slot, Measure the distances between the 2 side of the cabinet and point "A" prepare the space for the LED Medicine cabinet on the wall.(size:24*30" only need 1pcs mounting bracket)



Minimum 3 in
Clearance



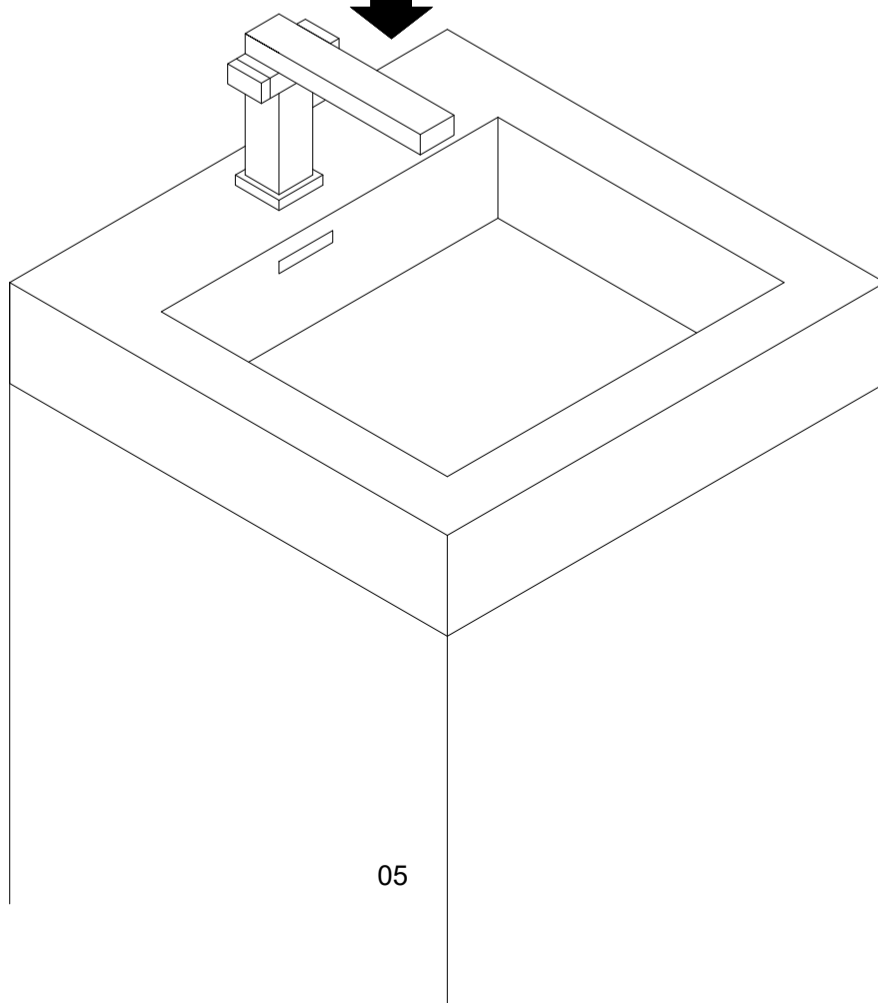
Step 1-1: Place the 2pcs mounting bracket on the slot, measure the distance between the 2 side of the cabinet and point A
(size 30*30/36*30/48*36 need 2pcs of the mounting bracket)



THE BACK OF THE CABINET

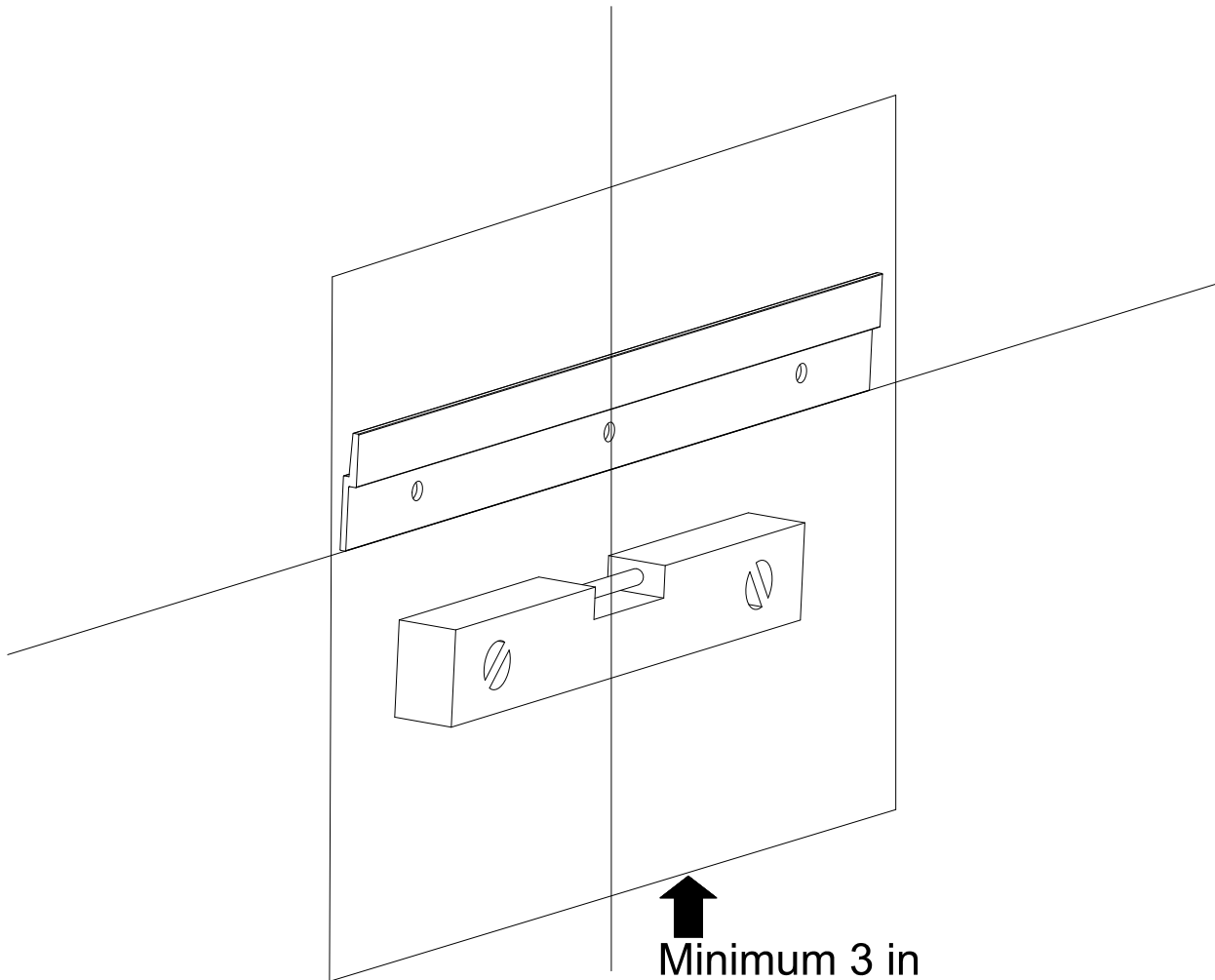


Minimum 3 in
Clearance

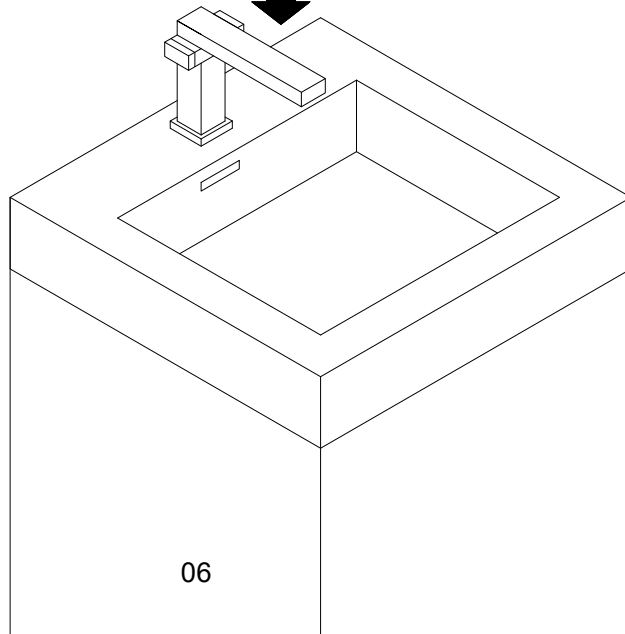


Step 2: Draw a horizontal line from the point A using a level.

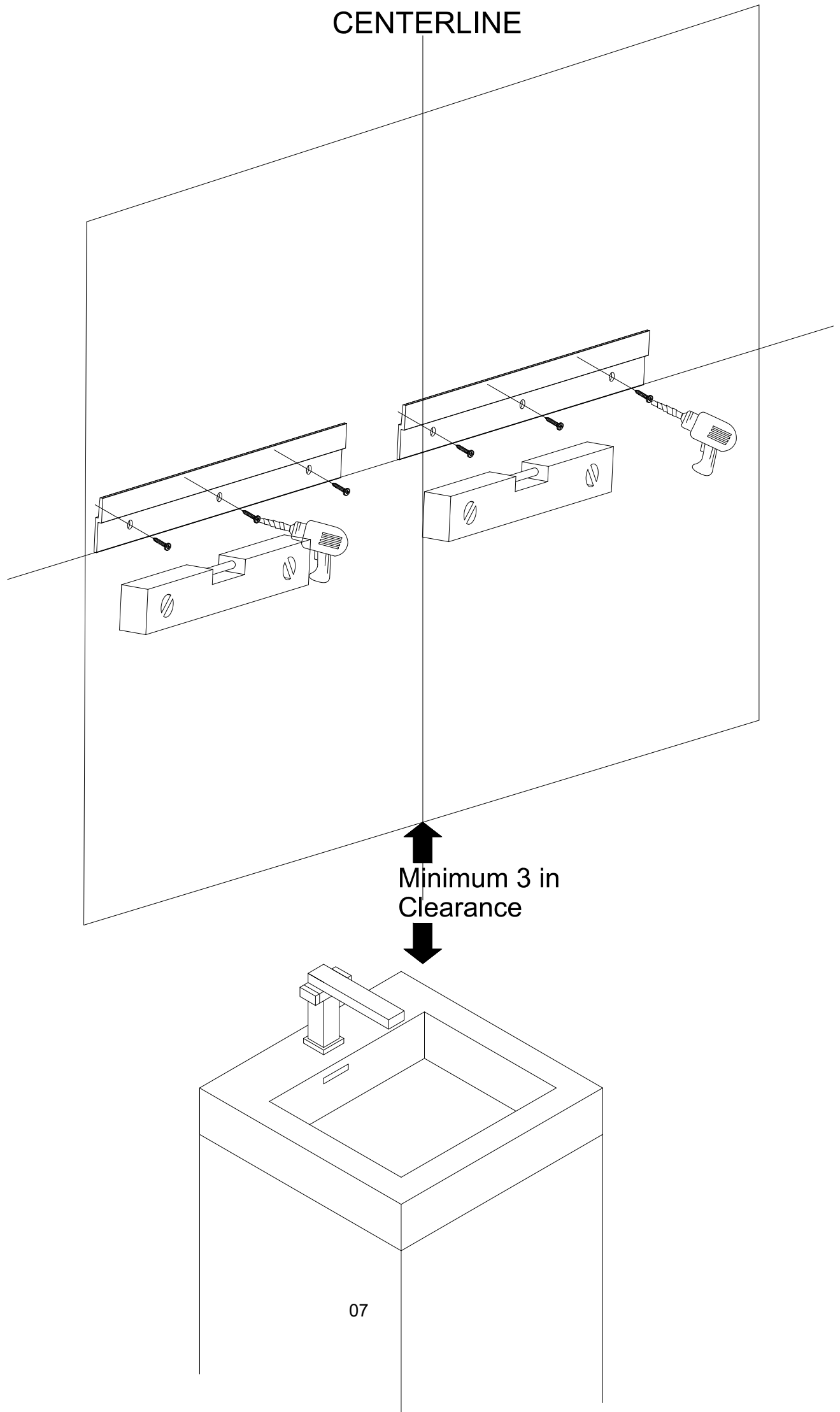
CENTERLINE



↑
Minimum 3 in
Clearance
↓

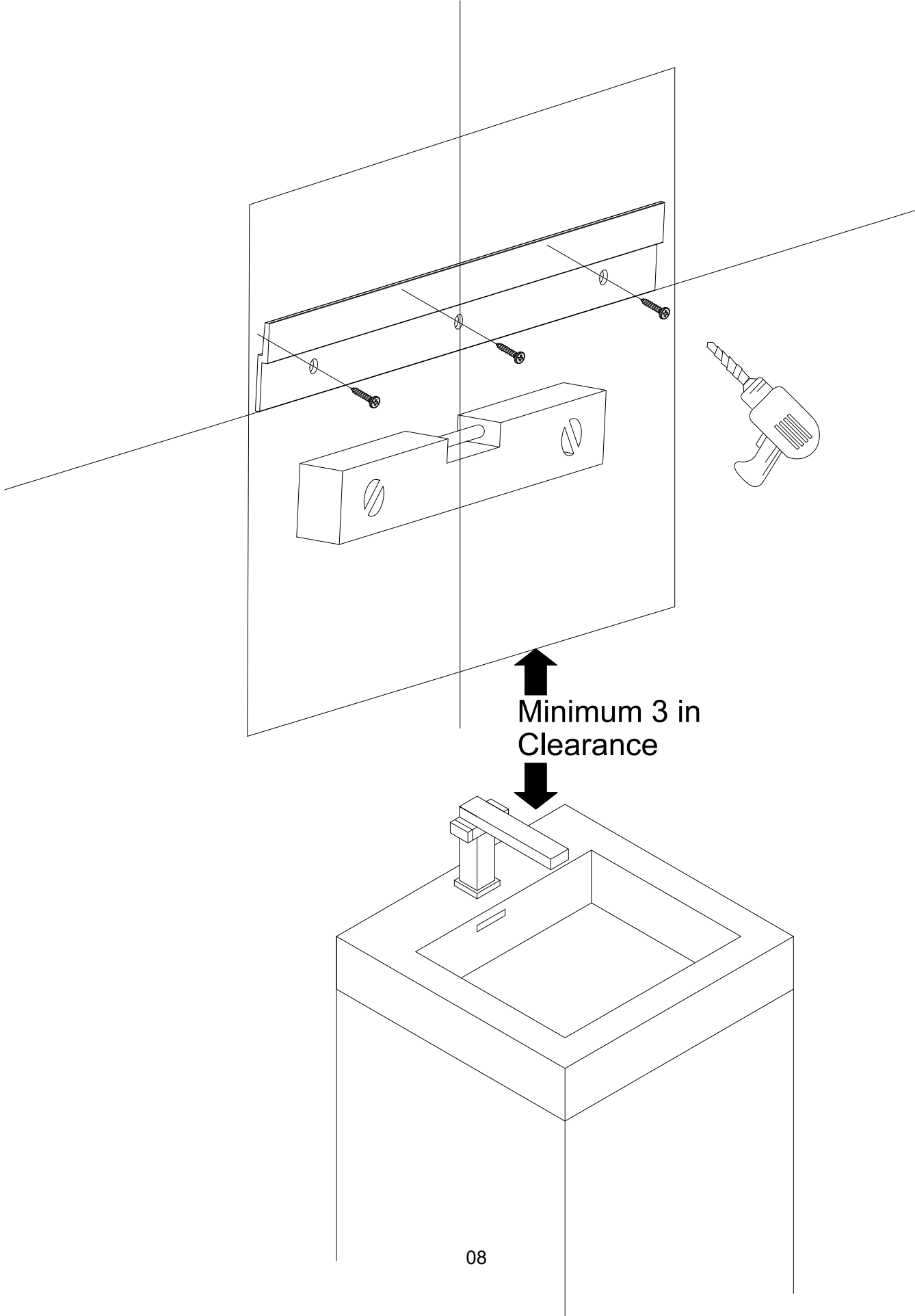


Step 3: Attach 2pcs mounting bracket to the wall.

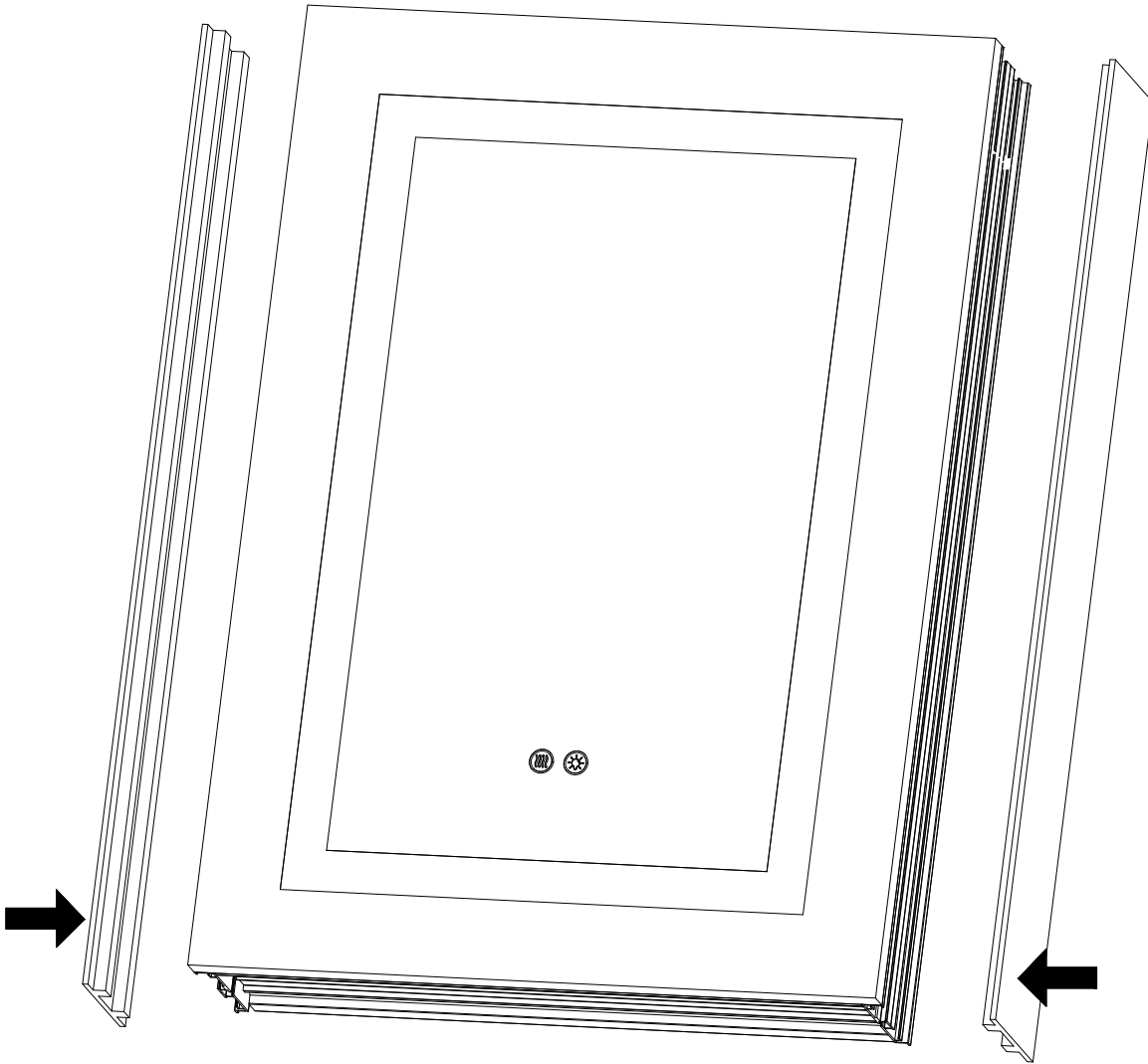


Step 3-1: Attach 1pcs mounting bracket to the wall.

CENTERLINE

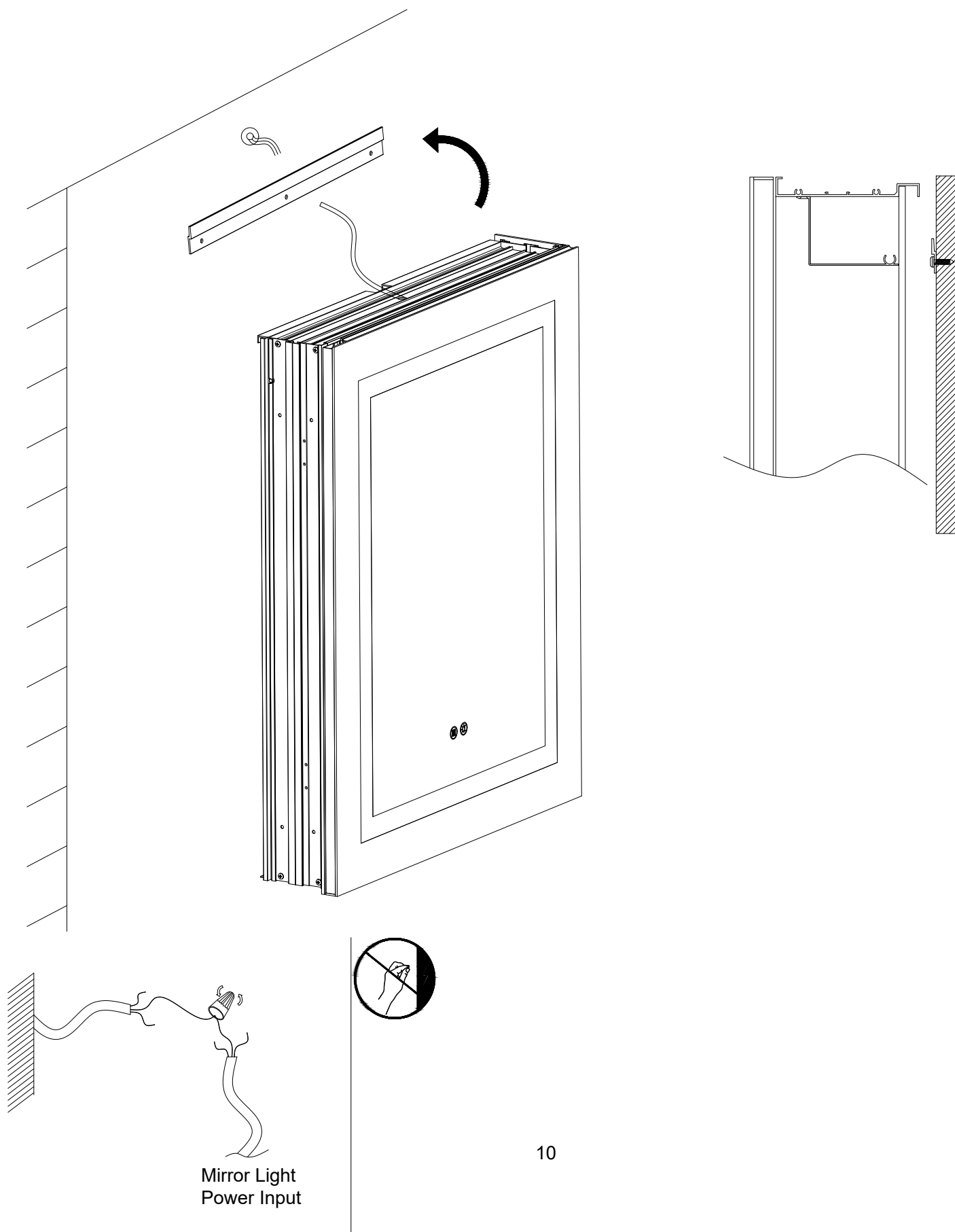


Step 4 : Tear off the adhesive at the 2 side of the mirror cabinet and stick it to the side of the aluminum surface.

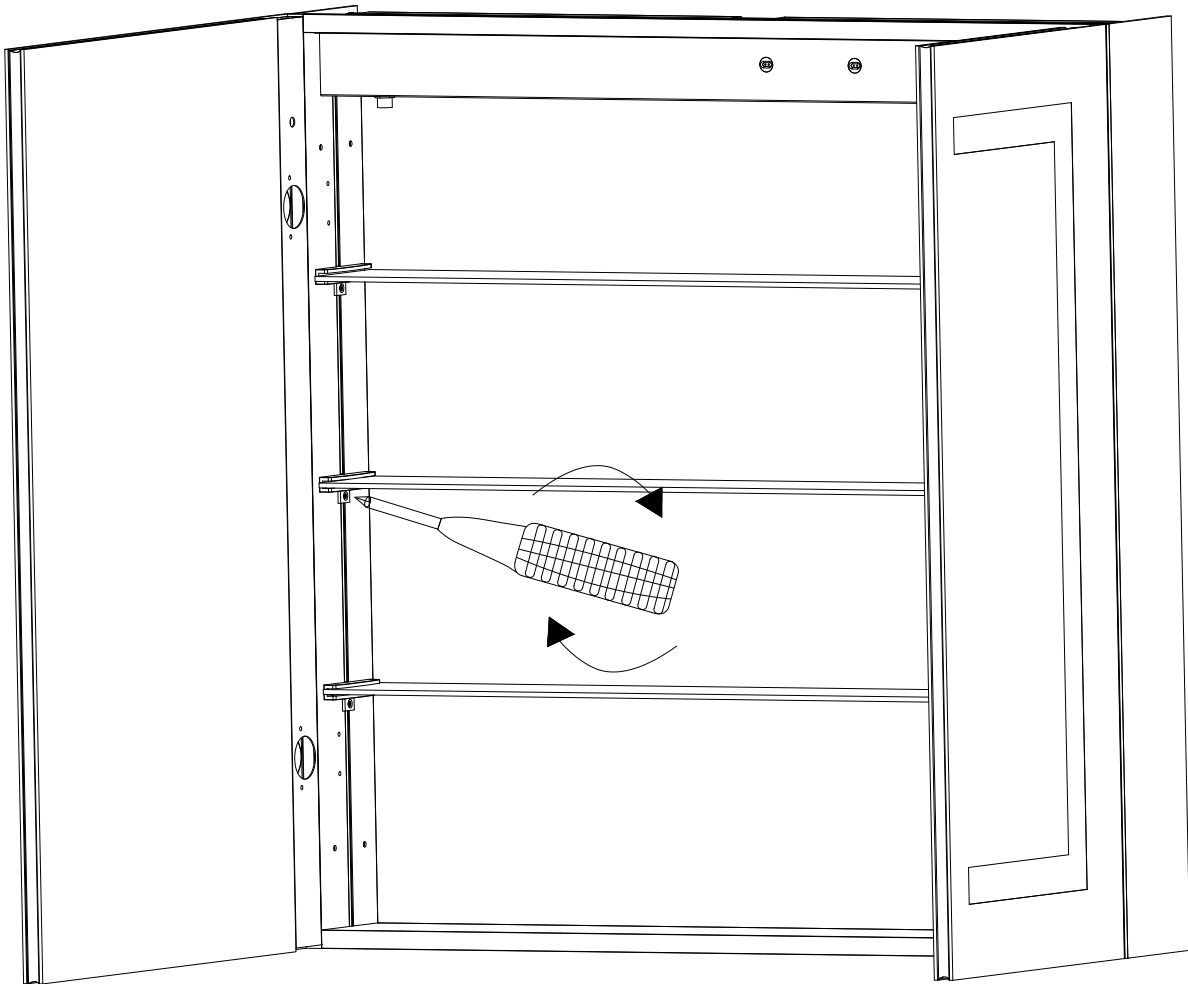


Step 5: Connect the cables with the threaded wire connectors provided according to the specifications below, then hang the mirror cabinet on the wall.

The way for connecting wires: White wire to Live Terminal (L), Black wire to Neutral Terminal (N), Green wire to Earth Terminal (E) (120V, 60Hz)

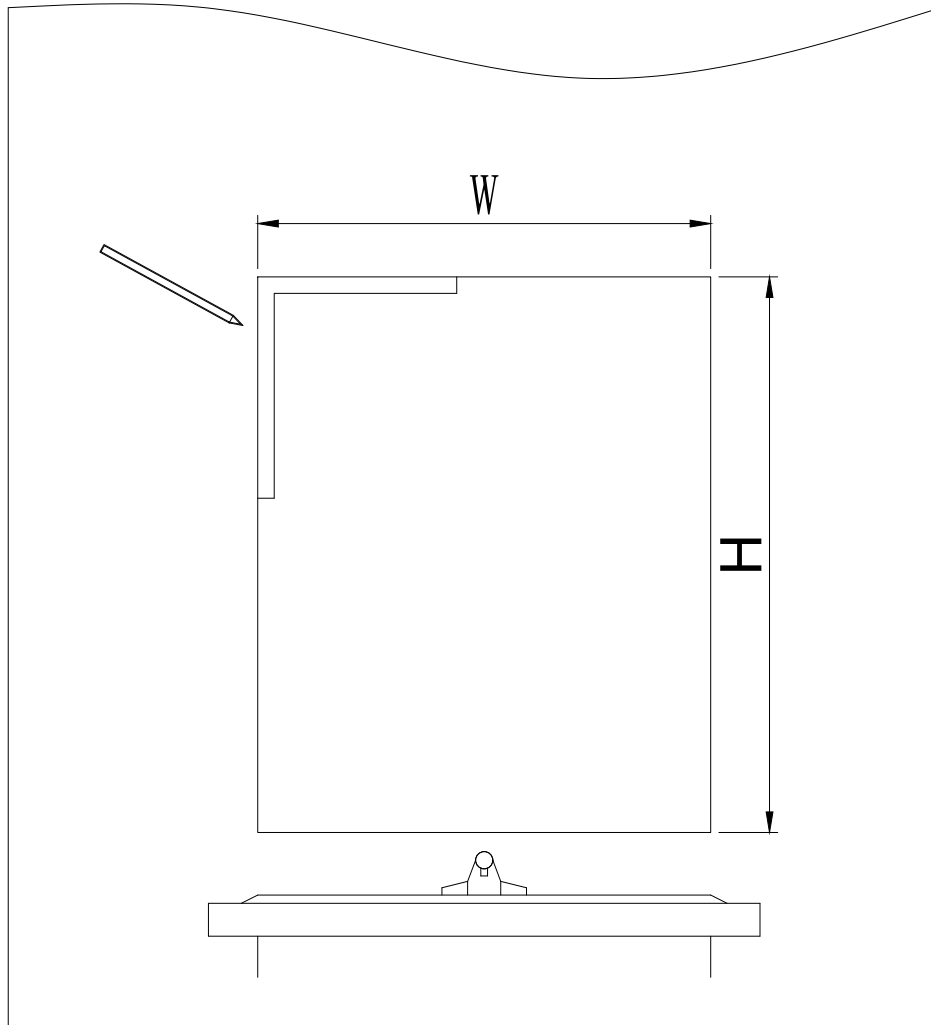


Step:6 Using the +screwdriver to adjusting the tightness of the screws on the shelves.



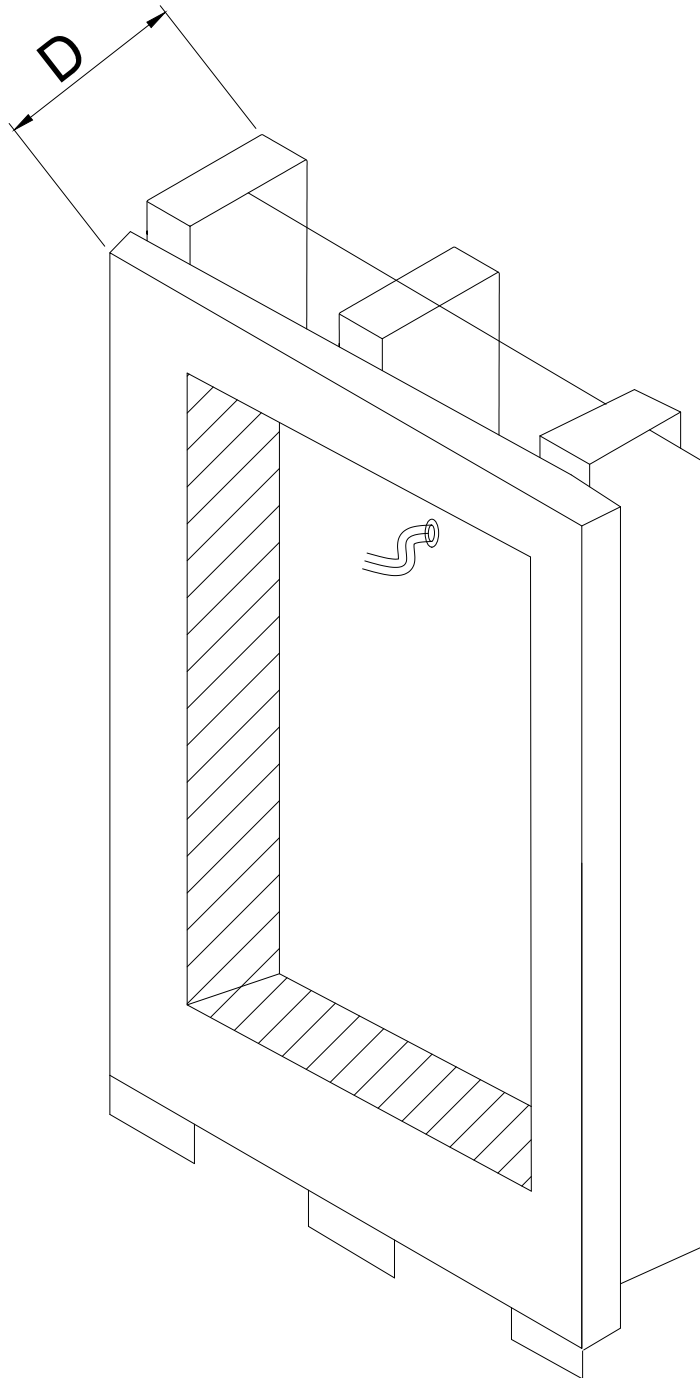
Installation instruction of the recessed LED medicine cabinet

Step 1: After you have determined that the wall is available and the position of the cabinet, start by marking the dimensions of the cabinet with a pencil.

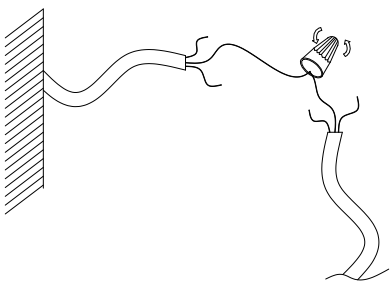
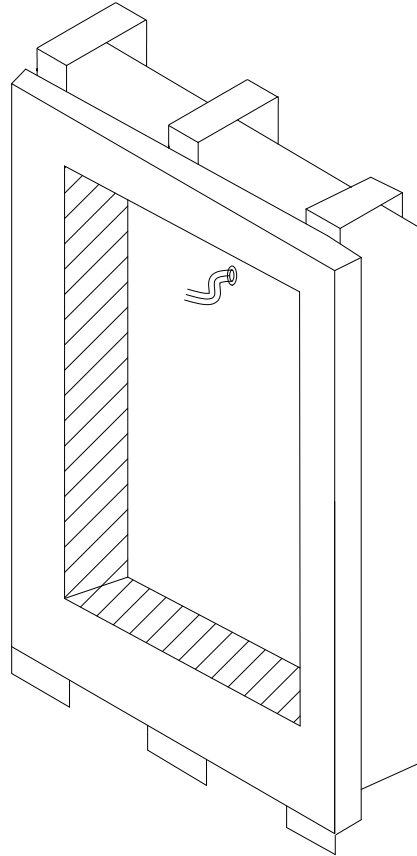
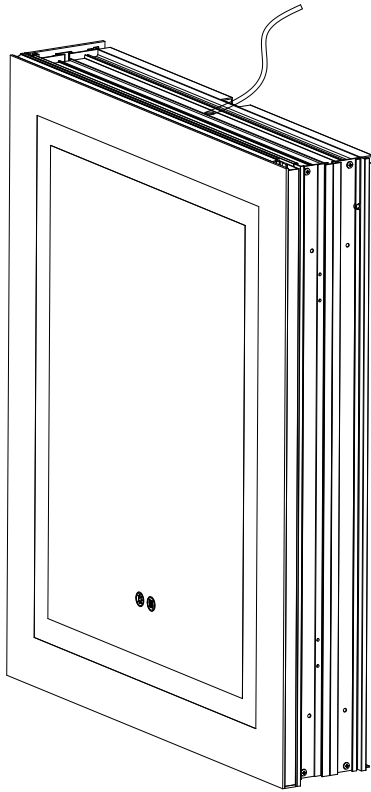


W24*H30	600MM	750MM	107MM
W30*H30	750MM	750MM	107MM
W36*H30	905MM	750MM	107MM
W48*H30	1210MM	750MM	107MM
SIZE	W	H	D

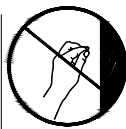
Step 1-1: Protect your bathroom fixtures with plastic wrap or newspaper, then start cutting the wall. This is a technical job, so if you are in a position where you can't get it right, it's better to leave it to the professionals.



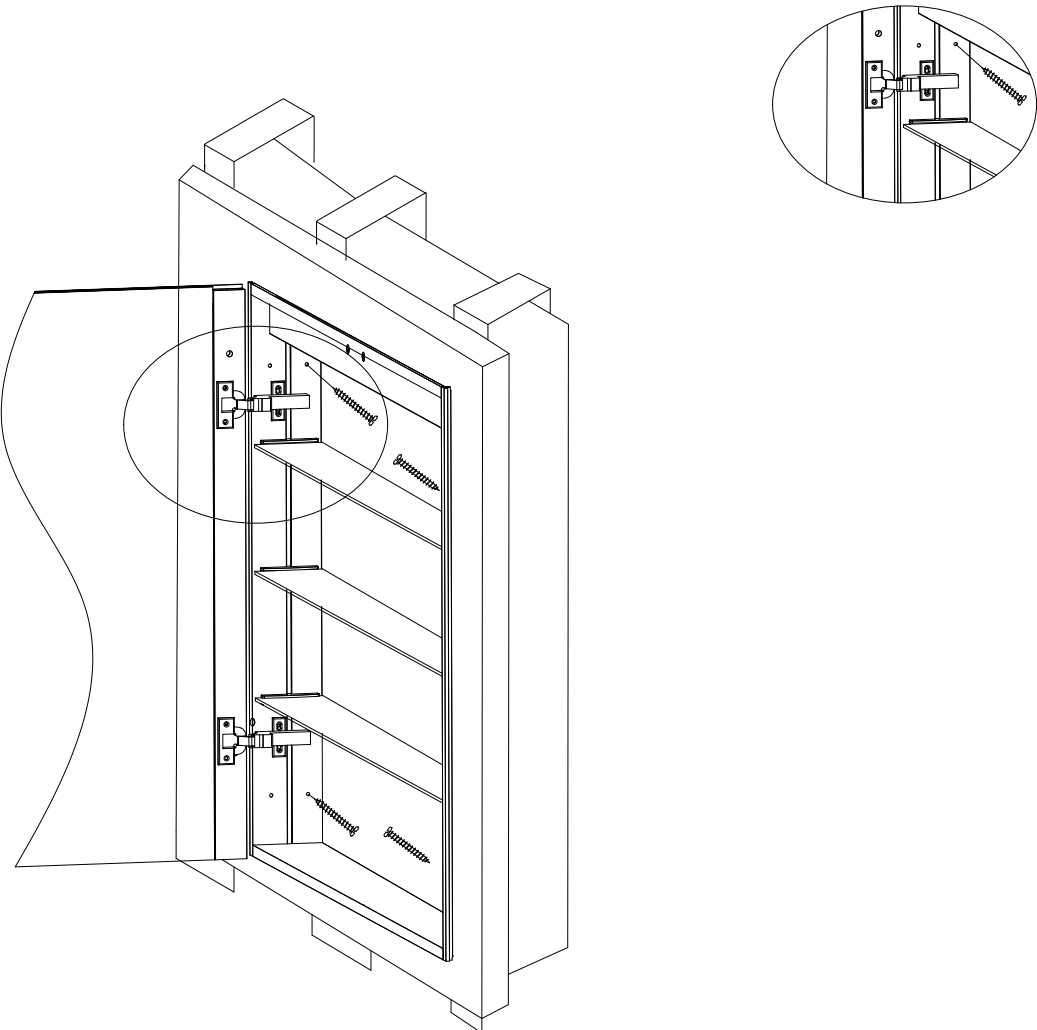
Step 2: Connect the cable.

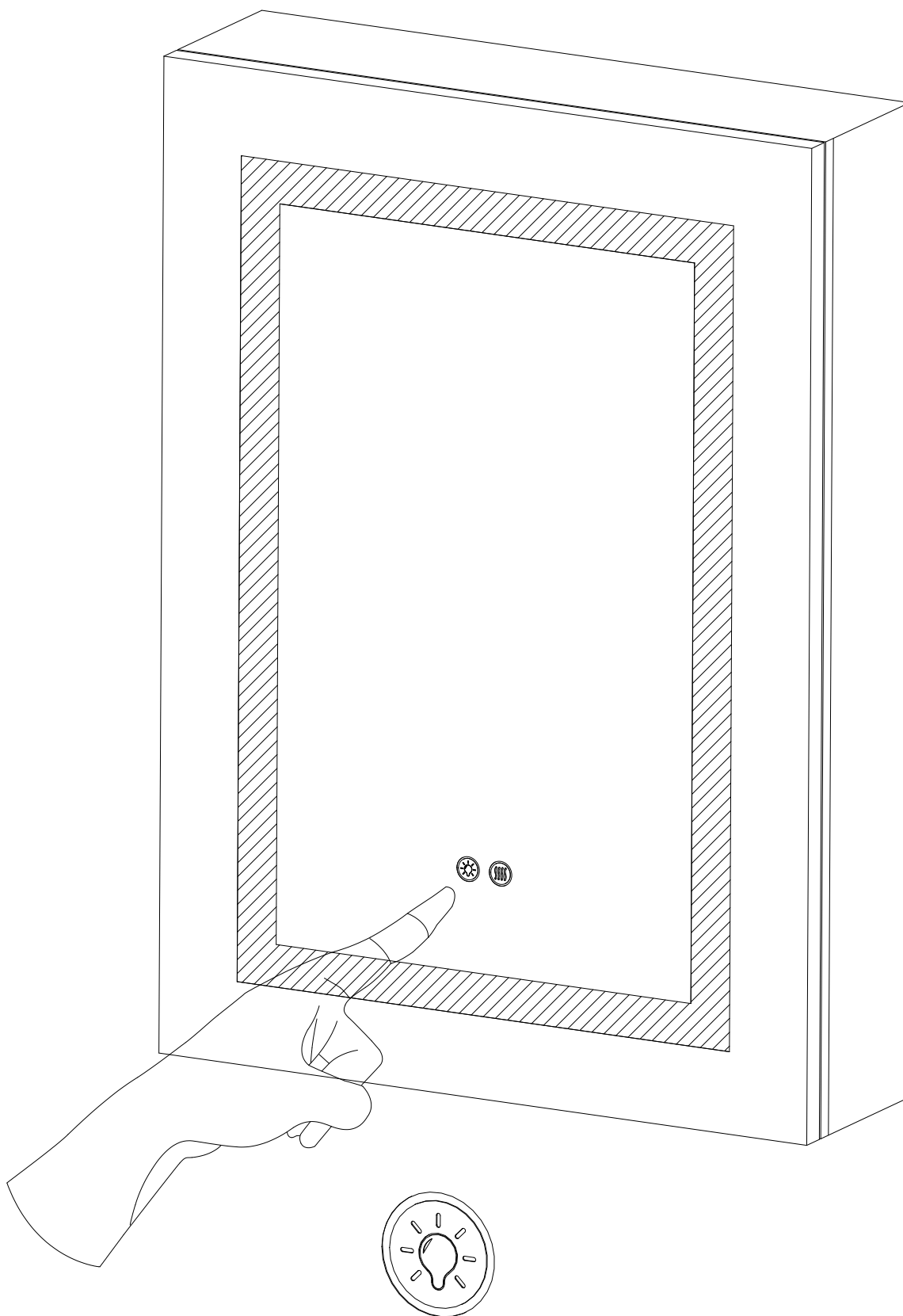


Mirror Light
Power Input

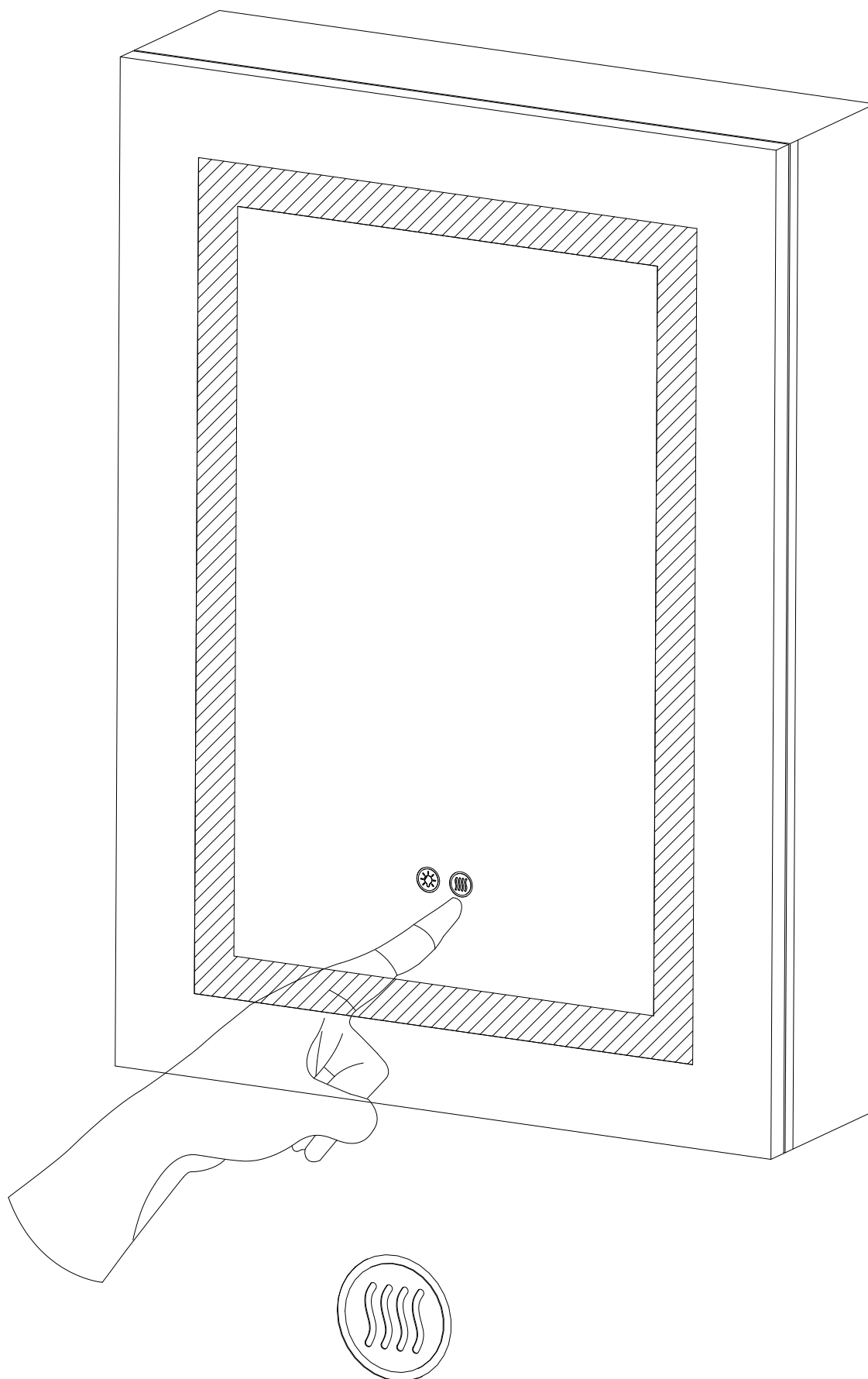


Step 3. Then use screws to mount the cabinet to the wall according to the screw locations inside.

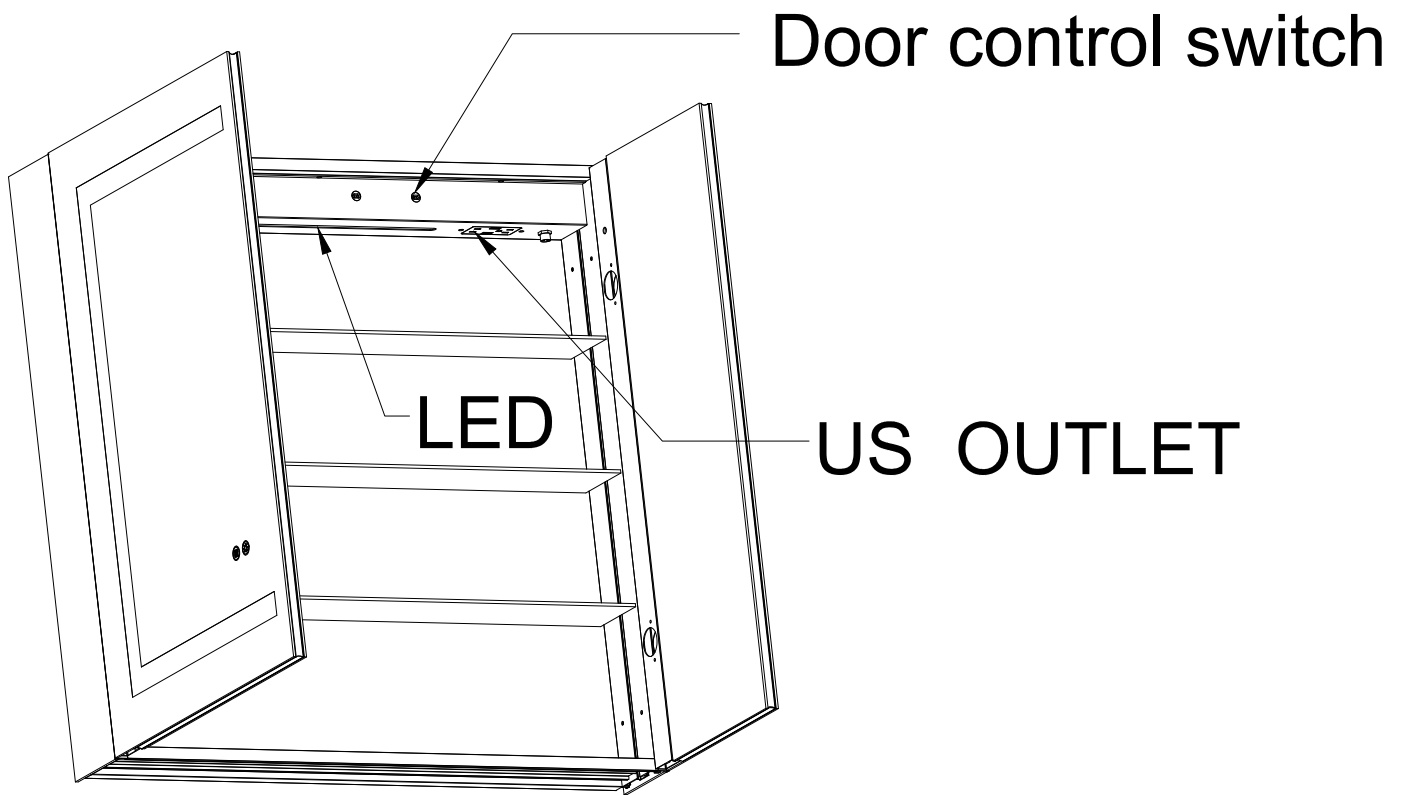




Step 1: Lightly Touch (⚙️) button to Adjust Turn On/Off button, lightly touch to adjust the color temperature (warm light, nature light, and white light, long press to adjust the brightness steplessly from 10-100%. after 5 seconds without the operation, light touch to adjust turn off button.



Step 2: Touch the switch (🌀) to turn on/off the defogging function, It will turn off automatically after one hour.



Step 3: Door control switch (Open the door the light will turn on,close the door will turn off.)

WARRANTY:

We offer a 30-day warranty that begins on the date of the original purchase and applies to problems caused by the manufacturer. For questions, assistance, or support, please contact Customer Service by e-mail to us with your order number and details.

We will send you further information about the solution.

Notice:

1) For indoor use only.

2) If the external flexible cable or cord of this luminaire is damaged, it shall be exclusively replaced by the manufacturer or his service agent or a similar qualified person in order to avoid a hazard.

3) The light source of this luminaire is not replaceable;
when the light source reaches its end of life the whole luminaire shall be replaced.

