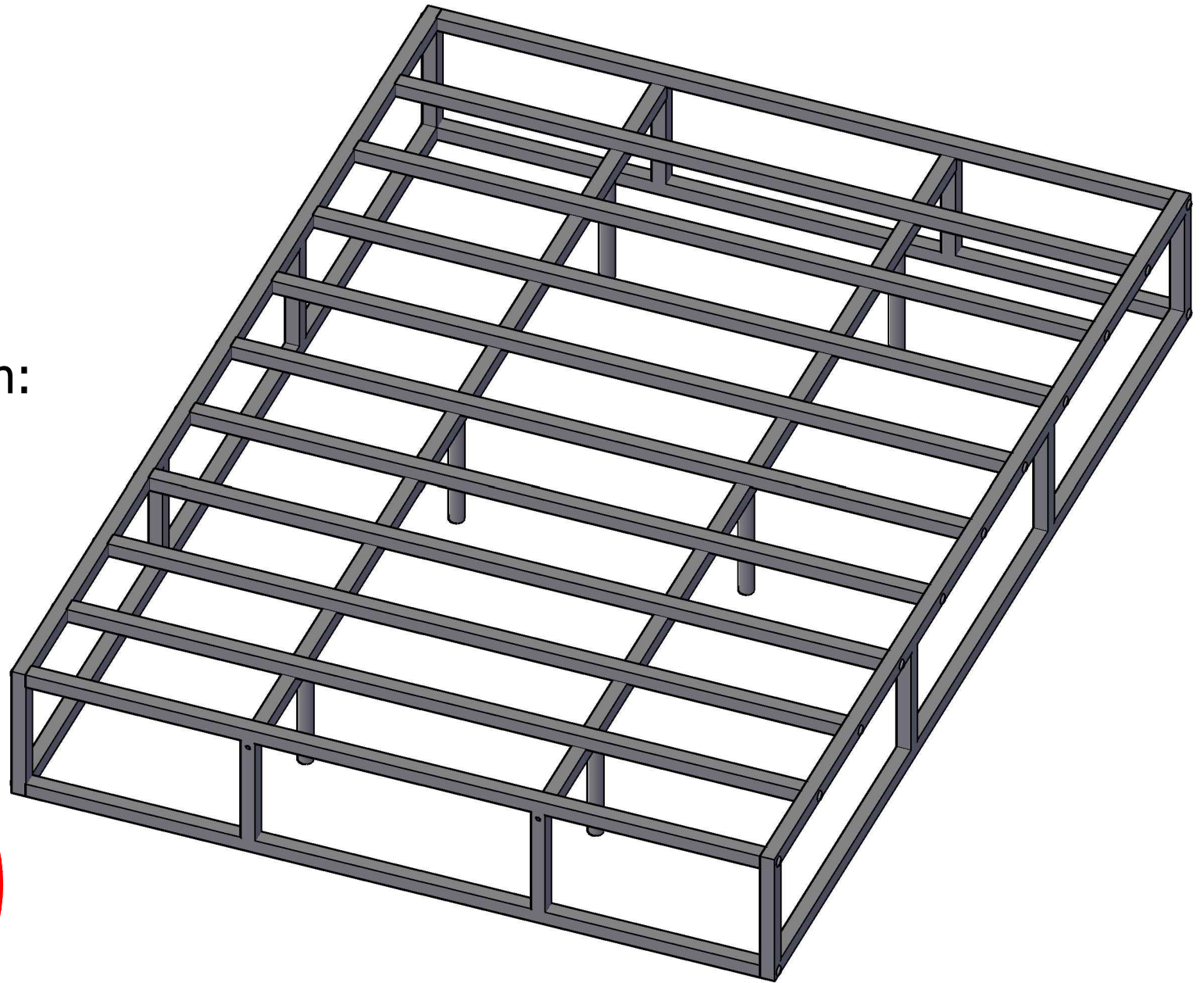


# Felix

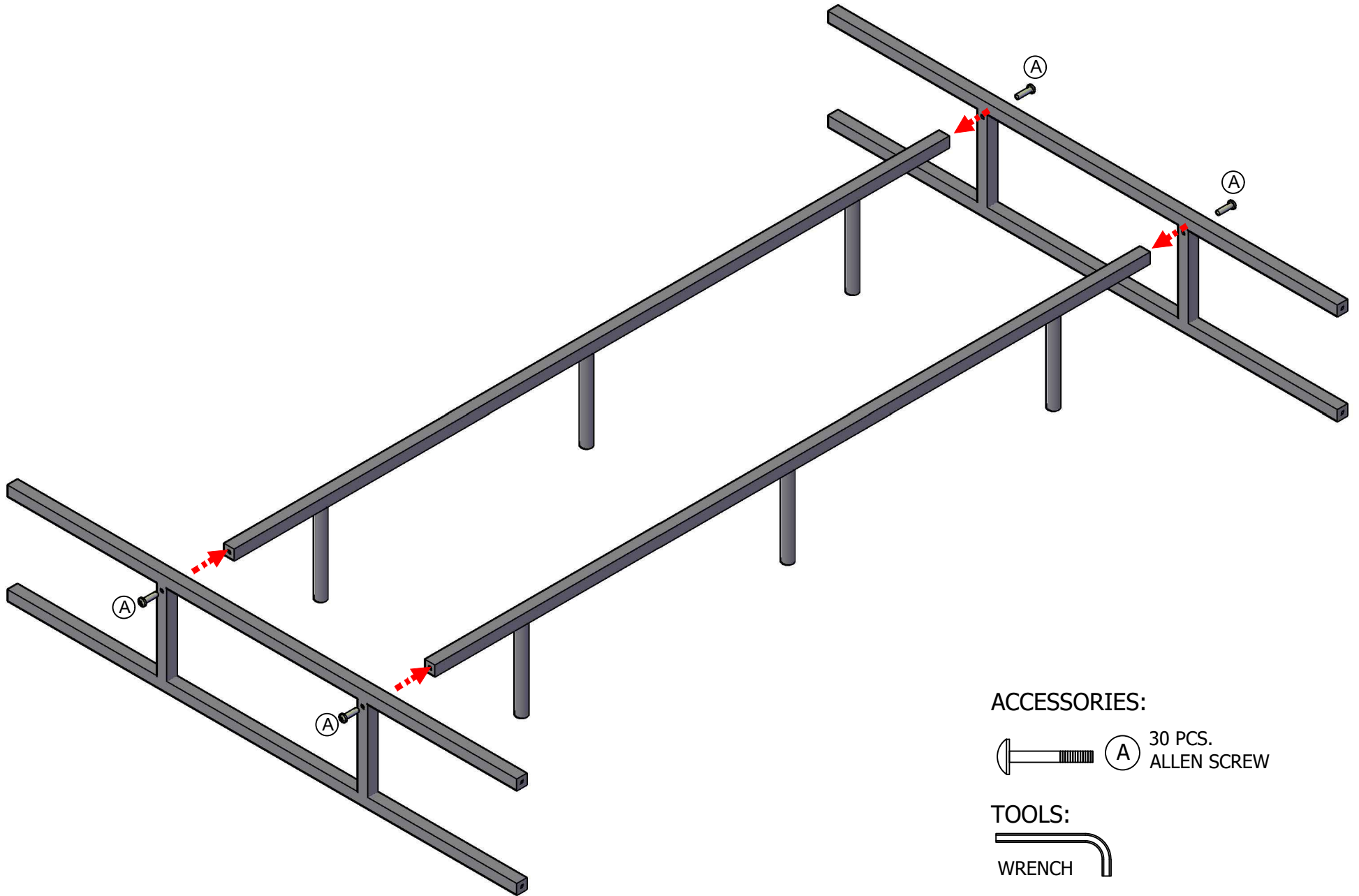
Dimension:  
54 x 75



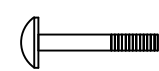
# Assembly Guide

FMB - 1

Step 1



## ACCESSORIES:

 **(A)** 30 PCS.  
ALLEN SCREW

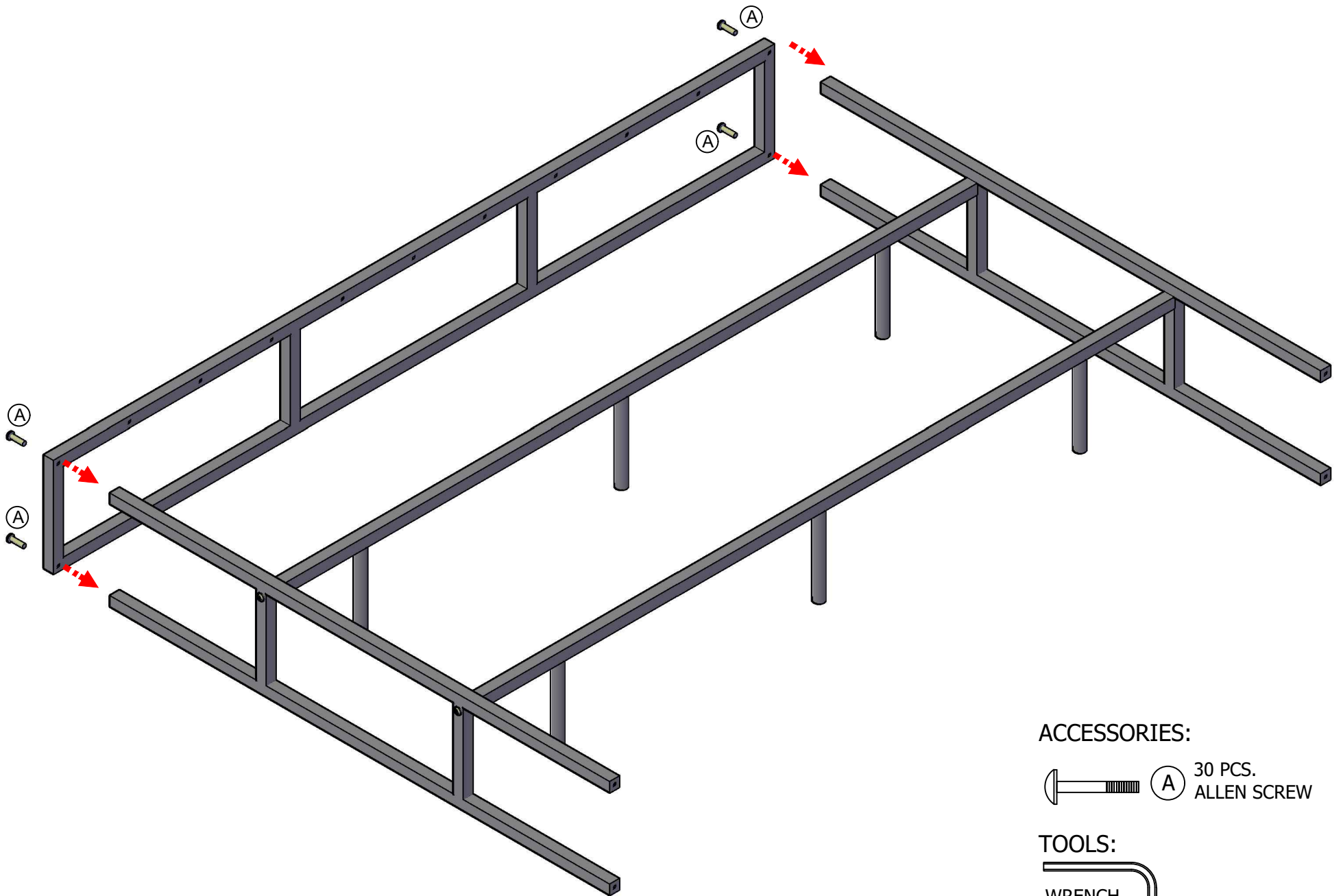
## TOOLS:

 WRENCH

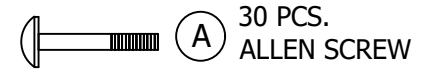
# Assembly Guide

FMB - 2

Step 2



### ACCESSORIES:



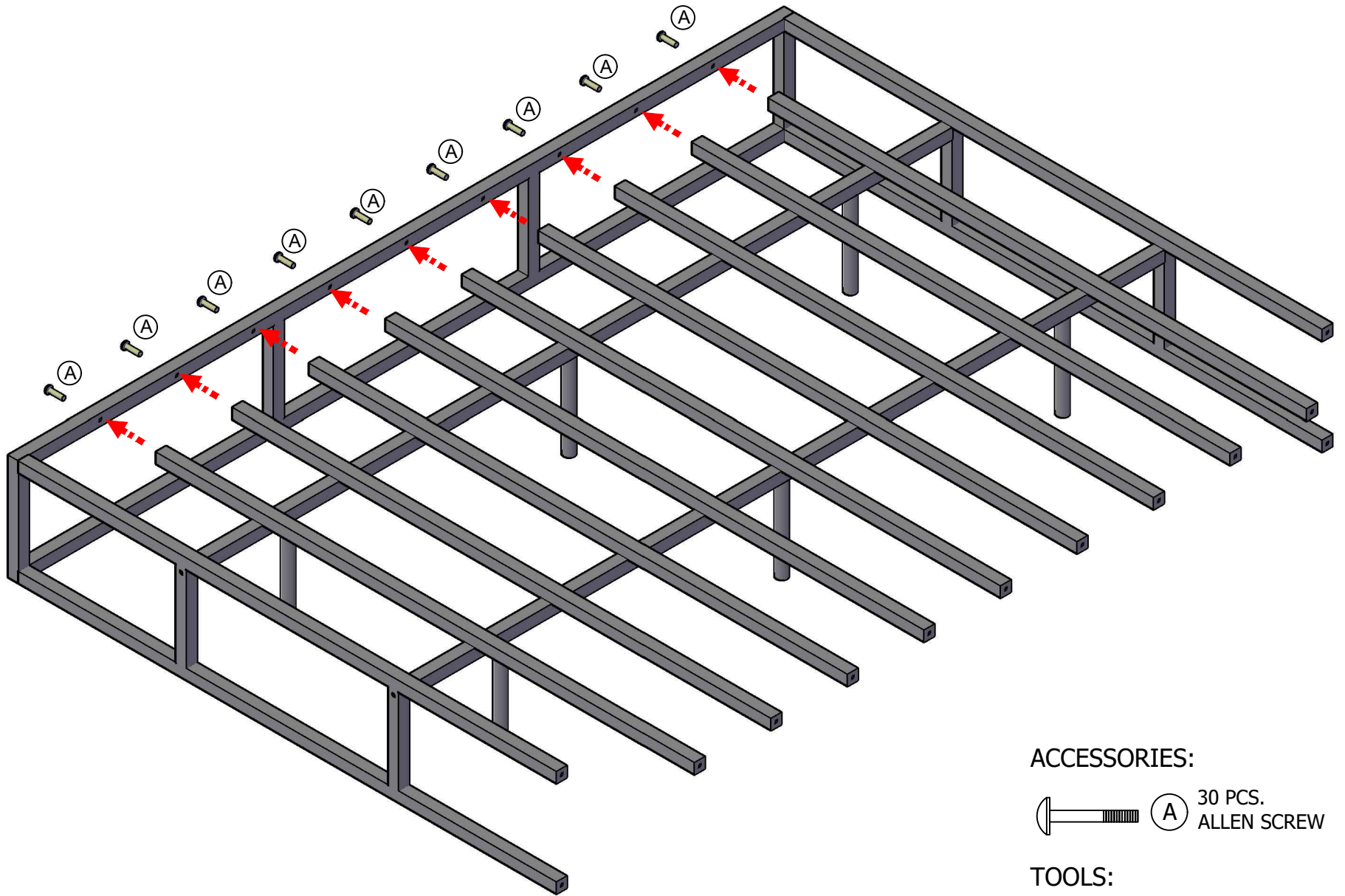
### TOOLS:



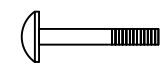
# Assembly Guide

FMB - 3

Step 3



## ACCESSORIES:

 (A) 30 PCS.  
ALLEN SCREW

## TOOLS:

  
WRENCH

# Assembly Guide

FMB - 4

Step 4

