

Thor Bed Frame

Dimension:
48 x 75



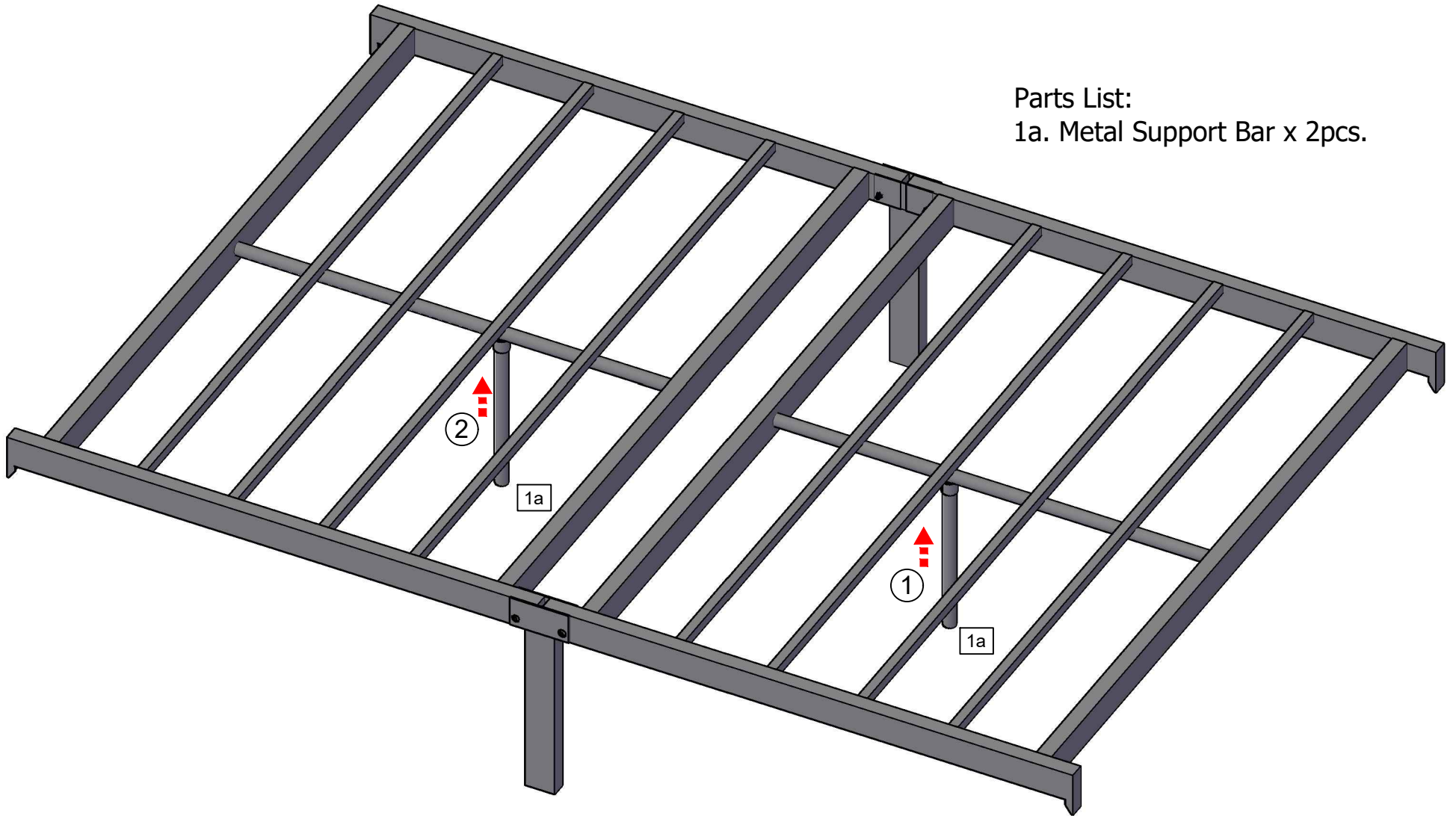
Assembly Guide

T1 - 01

STEP 1

Parts List:

1a. Metal Support Bar x 2pcs.



Assembly Guide

STEP 2

- Parts List:
1b. Head Board x 1pc.
2b. Matting x 1pc.
3b. Foot Board x 1pc.

