

Anders Bed Frame

Dimension:
36 x 75



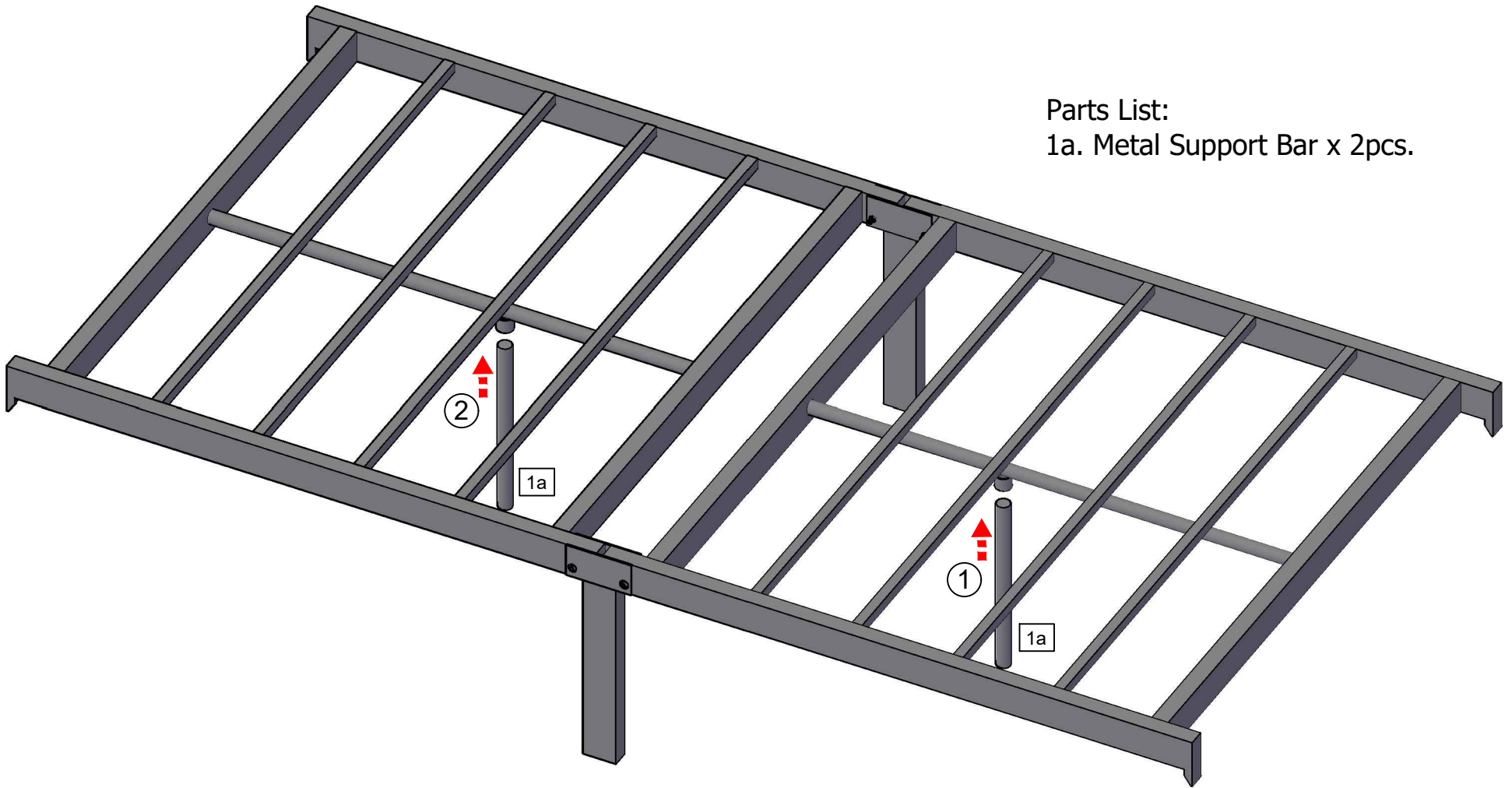
Assembly Guide

AN1 - 01

STEP 1

Parts List:

1a. Metal Support Bar x 2pcs.



Assembly Guide

AN1 - 02

STEP 2

- Parts List:
- 1b. Head Board x 1pc.
 - 2b. Matting x 1pc.
 - 3b. Foot Board x 1pc.

