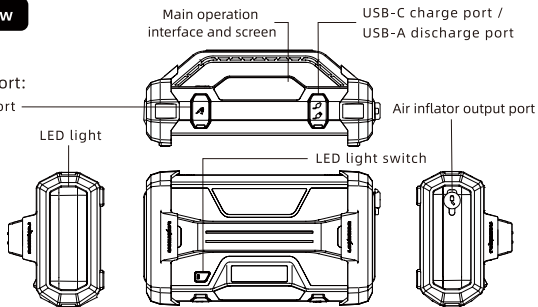


# LOKITHOR Specification Sheet JA3000

## Product Overview

Main interface port:

EC8 starting port



## Parameter Specification

Product Model: JA3000	Starting Voltage: 12V
Peak Current: 3000Amp	Pressure Range: 10~150 PSI
Flow Rate: 40L/Min	Charging Temperature: 32 °F to 113°F
Storage Temperature: -4 °F to 122 °F	Operation Temperature: -4 °F to 122 °F
Input: USB-C 5V/3A, 9V/3A, 12V/3A, 15V/3A, 20V/3A(60W MAX)	Output: USB-A 5V/3A,9V/2A,12V/1.5A(18W MAX) USB-C 5V/3A, 9V/3A, 12V/3A, 15V/3A, 20V/3A(60W MAX)
Charging Time: ≤1.0 Hours	Service life:>2000 cycles(in good condition)

## Packing List

Multi-function vehicle emergency starter	LO-CLAMP-Pro	Inflatable hose	Nozzle adapters
			1.Presta Valve Adaptor 2.Inflatable Nozzles 3.Ball Needle 
Product storage bag	Accessories storage bag	Manual	USB-C cable

## Product Overview

1. Emergency start of 12V engine (up to 9.0-Liter gasoline and 7.0-Liter diesel 12 V engines)
2. Built-in air inflator, support tire pressure detection, preset charging and stopping value, unit switching and other functions;  
Air pressure sensor accuracy: +2 PSI, maximum inflation pressure 150 PSI;
3. LED lighting (uminous flux: 400 LUMENS, 3modes: soS/stroboscopic/constant light)
4. Battery Chemistry: LiFePO<sub>4</sub>

