

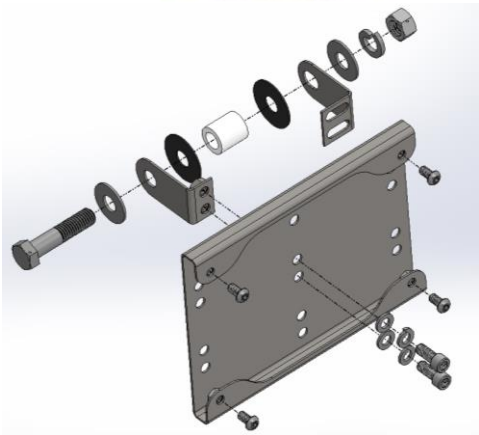


INSTALLATION INSTRUCTIONS

PART No. 80706
**Shackle Mounted License Plate Bracket
For Vehicles with D-Ring Shackles**



VIDEO AVAILABLE



REQUIRED TOOLS

TWO 3/4" OR ADJUSTABLE WRENCH
5/32" HEX KEY
1/4" HEX KEY

KIT CONTAINS

	QTY
PLASTIC SPACER	1
WASHERS (3 LOCK AND 4 FLAT)	7
1/2" BOLT AND NUT	1 ea
5/16" BOLT	2
1/4" BOLT	4
RUBBER FRICTION PADS	2
D-RING SHACKLE L-BRACKETS	2
7-WAY ADJUSTABLE PLATE BRACKET	1

1) Install Plastic Spacer

The spacer is included to help center the 1/2" bracket bolt.

NOTE: If the spacer sticks out past the width of the shackle mount, it will need to be cut down or not used.

If the spacer will fit, insert it into your shackle mount. The spacer is designed as a universal fit; it may be too wide for some mounts. It can be cut to fit if necessary.



2) Loosely Install Shackle Brackets

Hold one rubber friction pad on either side of the shackle mount. Hold one L-bracket on either side of the rubber pads. Ensure the bracket with the weld-nuts is behind the other L-bracket.

Insert the 1/2" bolt through a flat washer and through the shackle mount. Install another flat washer, lock washer, and the nut. Hand tighten to hold everything in place.



INSTALLATION INSTRUCTIONS

PART No.

80706

**Shackle Mounted License Plate Bracket
For Vehicles with D-Ring Shackles**



4) Tighten

Align and straighten the bracket as you begin to snug all mounting hardware. Use the 3/4" or adjustable wrench to tighten the 1/2" bolt and nut. Tighten the plate mount to the L-brackets using the 5/32" hex key.

5) Install License Plate

Install your license plate to the plate bracket using the 1/4" hex key and four 1/4" bolts.



3) Check for Clearance

Check for clearance between your plate mounting surface and the features of your bumper. Select a hole configuration in the license plate bracket that will keep your plate out of the way.

Once your configuration is chosen, install two flat washers, two lock washers, and the two 5/16" bolts to mount the license plate bracket.

6) Congratulations!

You're done! Enjoy your Shackle Mounted License Plate Bracket by KENTROL!