

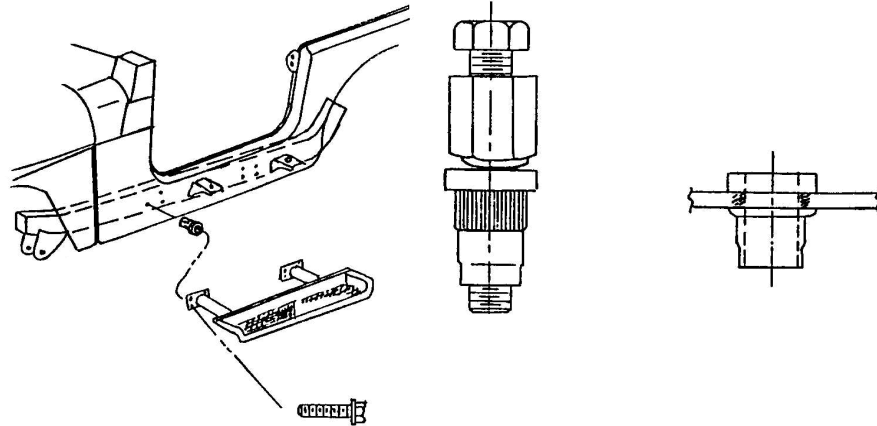


# INSTALLATION INSTRUCTIONS

**PART No.** 30491

**MODEL No.**

**Side Steps**



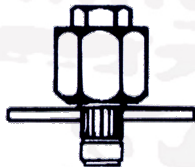
Contents: (2) Side Steps, (14) Mounting Screws, (14) Nutserts, (1) Nutsert tool, and instruction sheet

Tools Required: Electric drill, assorted drill bits, metric sockets and ratchet, metric wrenches.

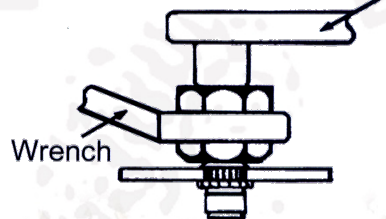
1. Using the side steps as a guide, locate the seven holes in the frame rails that the steps will attach to. See drawing above.
2. If frame holes are not large enough for the nutserts, carefully drill the holes using a 17/32" drill bit. Do not oblong holes as nutserts will not fit and lock into place. Using the nutsert installation tool, install the (7) nutserts in the frame rail holes. Tighten per nutsert instructions below.
3. Repeat this procedure for the other side step.

## Nut Cert Installation Tool

1. Load Tool  
Push into Hole



2. Torque to Install  
Socket Wrench



3. To Remove Tool:  
Torque Wrench opposite  
direction until tool disengages.

