



INSTALLATION INSTRUCTIONS

PART No. 30420, 30441,30469
30474, 30525,50420, 50441,
50474,50525

Door Hinge

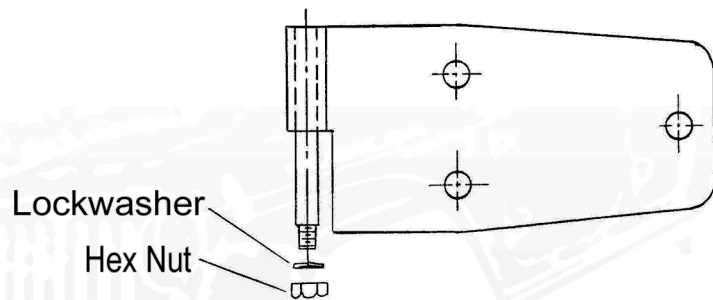
Fasten Door Hinge to your door using the Stainless Steel Bolts provided with this kit.

Put door in place on your vehicle. Make any adjustments to the Door Hinges so doors set evenly in door opening.

With door closed, put the lockwasher and hex nut on the door pin. Tighten until lockwasher compresses. Release the tension by loosening the nut $\frac{1}{4}$ turn.

Make sure the door opens and closes smoothly. If door seems to drop down, tighten the nut until door stays in place and operates properly.

To insure that the hex nut will not come loose, you can put a tread lock on the pin threads.



Note: We recommend that you use anti sieze on all threads of the stainless bolts provided with your parts.



INSTALLATION INSTRUCTIONS

PART No. 30420, 30441,30469
30474, 30525,50420, 50441,
50474,50525

Door Hinge

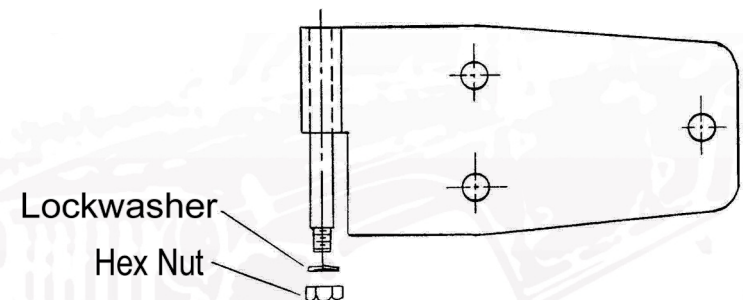
Fasten Door Hinge to your door using the Stainless Steel Bolts provided with this kit.

Put door in place on your vehicle. Make any adjustments to the Door Hinges so doors set evenly in door opening.

With door closed, put the lockwasher and hex nut on the door pin. Tighten until lockwasher compresses. Release the tension by loosening the nut $\frac{1}{4}$ turn.

Make sure the door opens and closes smoothly. If door seems to drop down, tighten the nut until door stays in place and operates properly.

To insure that the hex nut will not come loose, you can put a tread lock on the pin threads.



Note: We recommend that you use anti sieze on all threads of the stainless bolts provided with your parts.