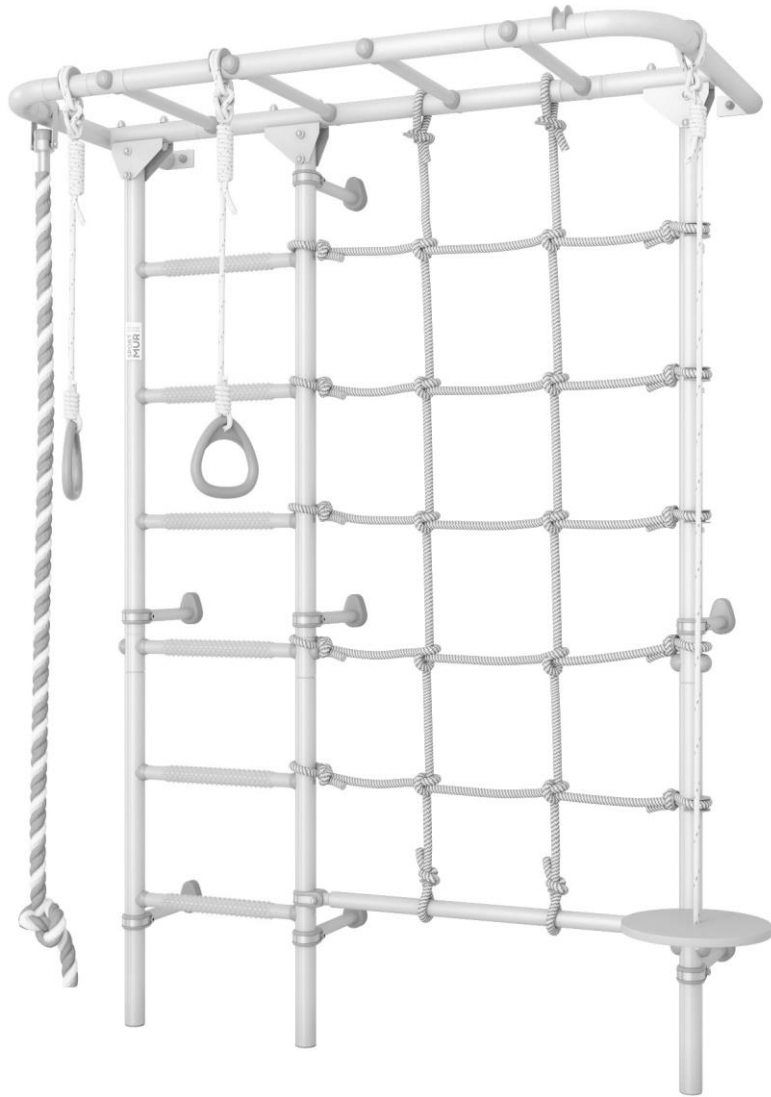
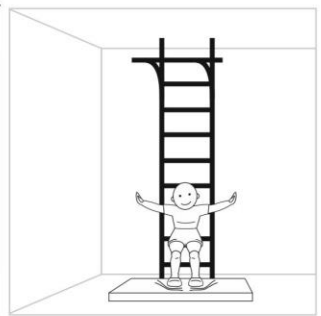
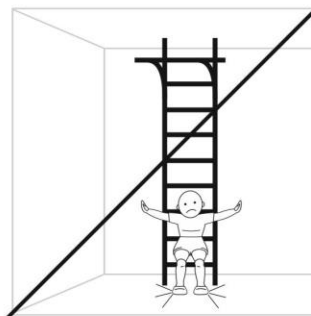
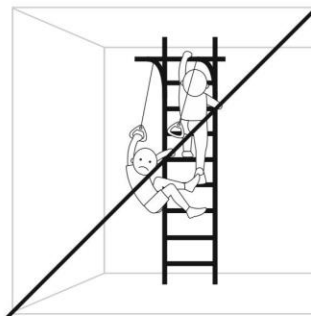
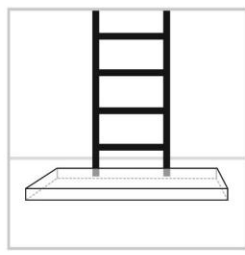
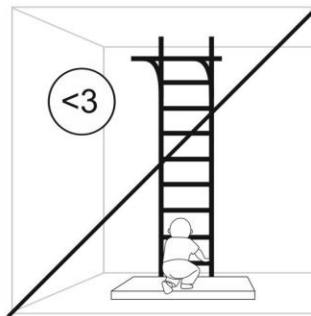
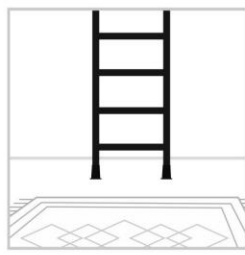
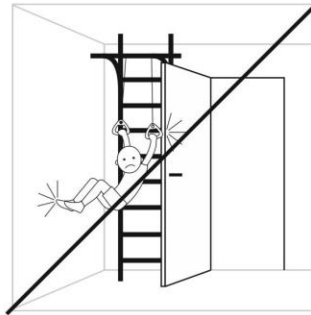
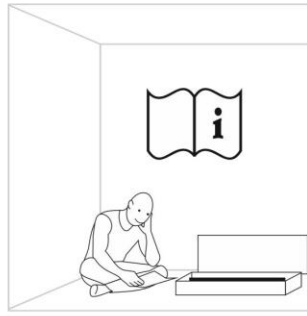
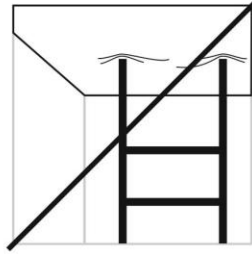
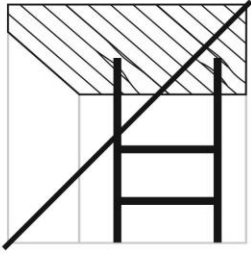


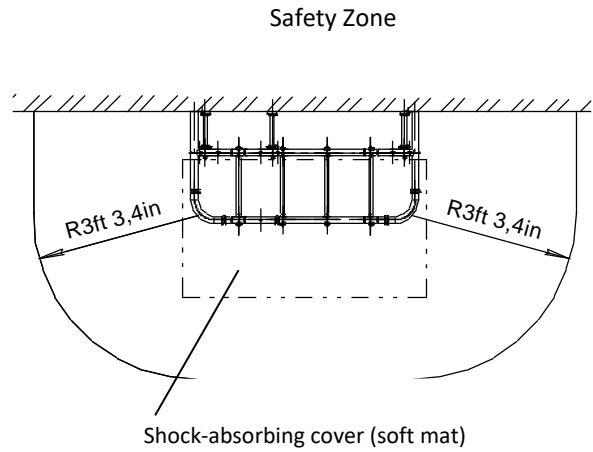
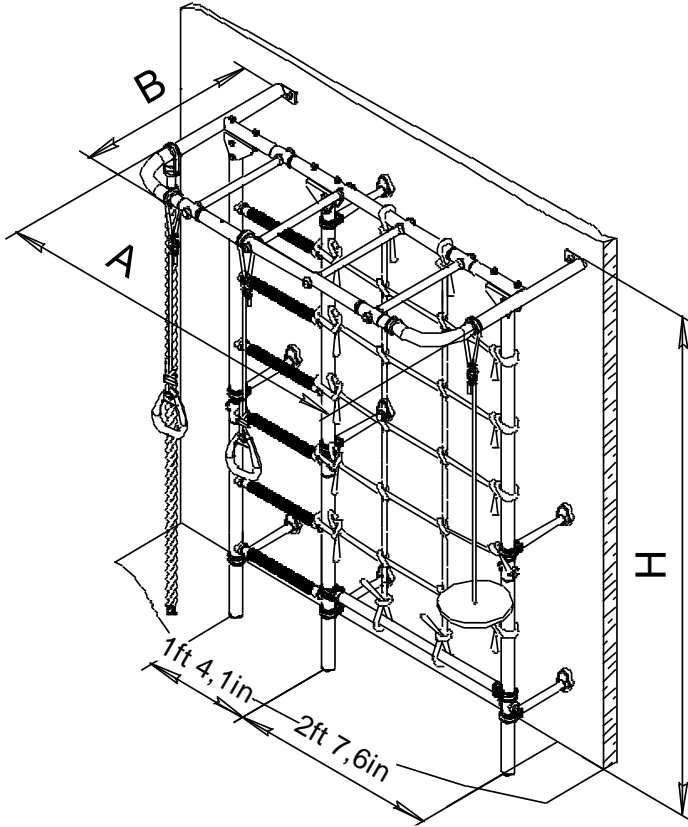
S7.01






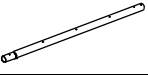
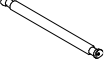




MOUNTING GUIDE
01.31.6.06.410.05.04-77


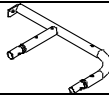




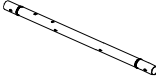



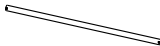
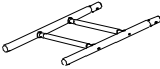
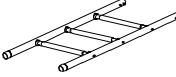
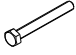
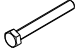






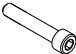


Dimensions	Length,B	2ft 3,6in
	width ,A	4ft 7,1in
	Height,H	6ft 4,4in
Gross weight, lb, max		
Maximum user's weight, lb (except accessories)		220
Maximum working load on accessories, lb		110
Premises height:		
H min		6ft 5,2in







SUPPLY SET

Table 1

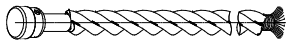

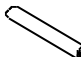



№	Component parts		Q-ty pieces.	№ PE package	№ package
	Designation	Pic.			
4	Stanchion (lower part) DSKM 01.175.04		1		1
5	Stanchion (upper part) DSKM 01.245.02		1		1
6	Rung 1.DSK-Pr.06.410.04.01		1		1
6.1	Rung 1.DSK-Pr.00.410.04.01		4		1
9	Casing DSK 05-011-20		14	1	1
10	Plug DSK 05-012-20		14	1	1
18	Bracket DSK 02-011-02		3		1

20	Inner plug 42		1	1	1
26	Beam assembly 1.DSKM 125.05.02-01		2		1
29	Bracket support 1.DSKM 149.00.01		7		1
30	Support casing DSK 05-034-20		7	1	1
31	Collar DSK 05.120.00-20		18	3	1
34	Reel clip DSK 05.056-20		9	1	1
36	Beam DSKM 01.278.00		2		1
42	Bracket DSKM 02.104.01		9	3	1
86	Plug DSK 05.070.00-20		11	1	1
92	Ring DSK 05.093-20		14	1	1
108	Connection beam DSKM 01.253.00		1		1
161	Lower half-ladder 1.DSKM-Ln2.06.410.15		1		1
162	Upper half-ladder 1.DSKM-Lv3.06.410.116		1		1
Standard items					
62	Bolt M8x55.56.016 GOST 7798-92		14	2	1
64	Bolt M8x65.56.016 GOST 7798-92		10	2	1
75	Nut M8.4.016 GOST 5915-98		14	2	1
76	Nut M8 GOST 11860-85		9	2	1
79	Coach screw 8x80 DIN 571		9	2	1
81	Washer 8.01.016 GOST 11371-78		56	2	1
87	Expansion bolt shield 12x70 PP		9	1	1
91	Cap №13		26	1	1
93.1	Screw M8x60.58.016 GOST 11738-84		9	2	1
	Wrench S=24x13 mm		2	2	1
	Hex wrench S=6 mm		1	2	1

Accessories					
100	Rope 6.51.01-20 See table 3		1		1
101	Gymnastic rings 1.D-27.00-22 See table 4		1		1
106	Hanger 6.59.00-01 See table 5		1		1
119	Rope net 6.57.02		1		1




Rope 6.51.01-20

Table 2

No	Designation	Pic.	Q-ty pieces.	No PE package	No package
100.1	Rope assembled		1	4	1
100.2	Bracket DSK 2.051.00		1	4	1
100.3	Shaft DSK 03.030.00		1	4	1
100.4	Screw M5-7gx 12.56 GOST 17473-80		2	4	1
100.5	Washer 5.01.016 GOST 11371-78		2	4	1
100.6	Washer 5.65G GOST 6402-70		2	4	1


Gymnastic rings 1.D-27.00-22

Table 3

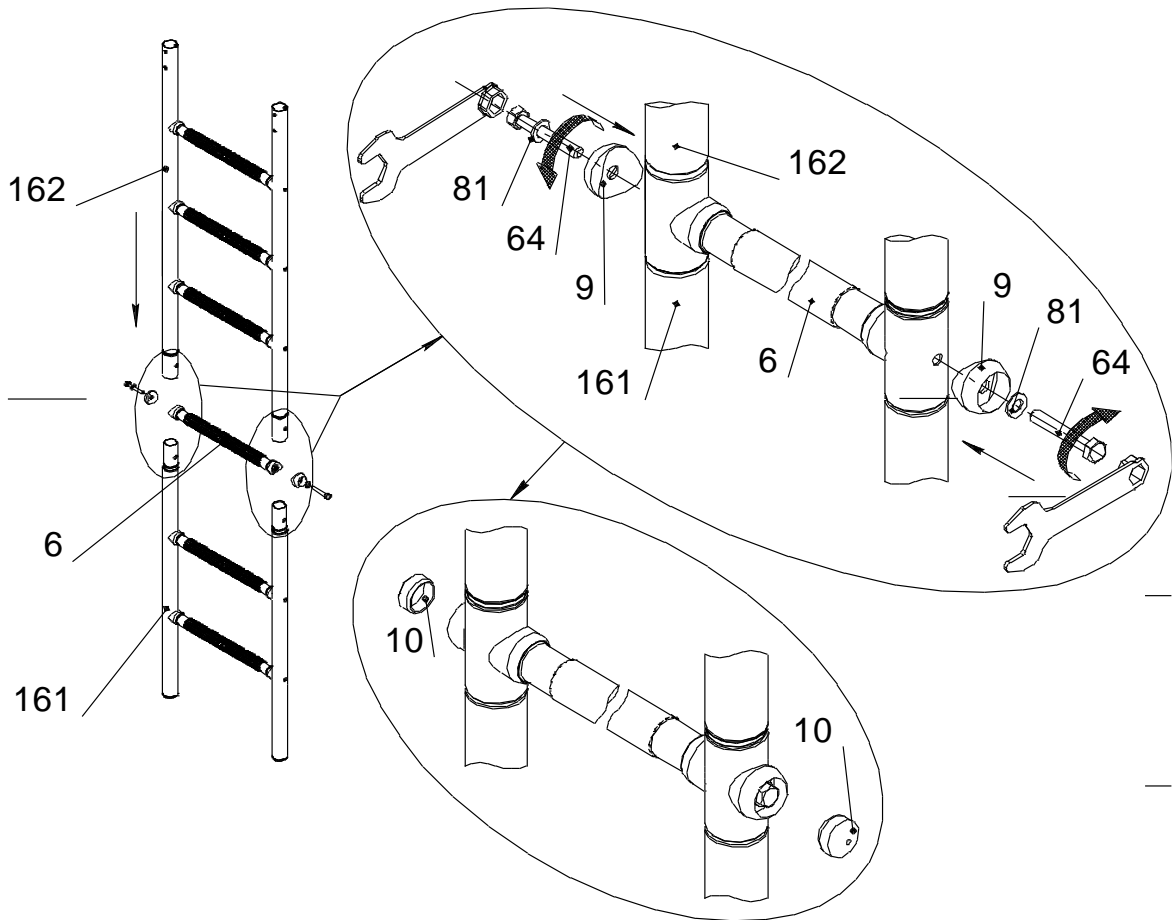
No	Designation	Pic.	Q-ty pieces.	No PE package	No package
101.1	Ring DSK 05.119.00-20		2	5	1
101.2	Rope DSK-VO 91.03.10.001-03		2	5	1
110	Fastener DSK 02-009-01		2	5	1

Hanger 6.59.01-01

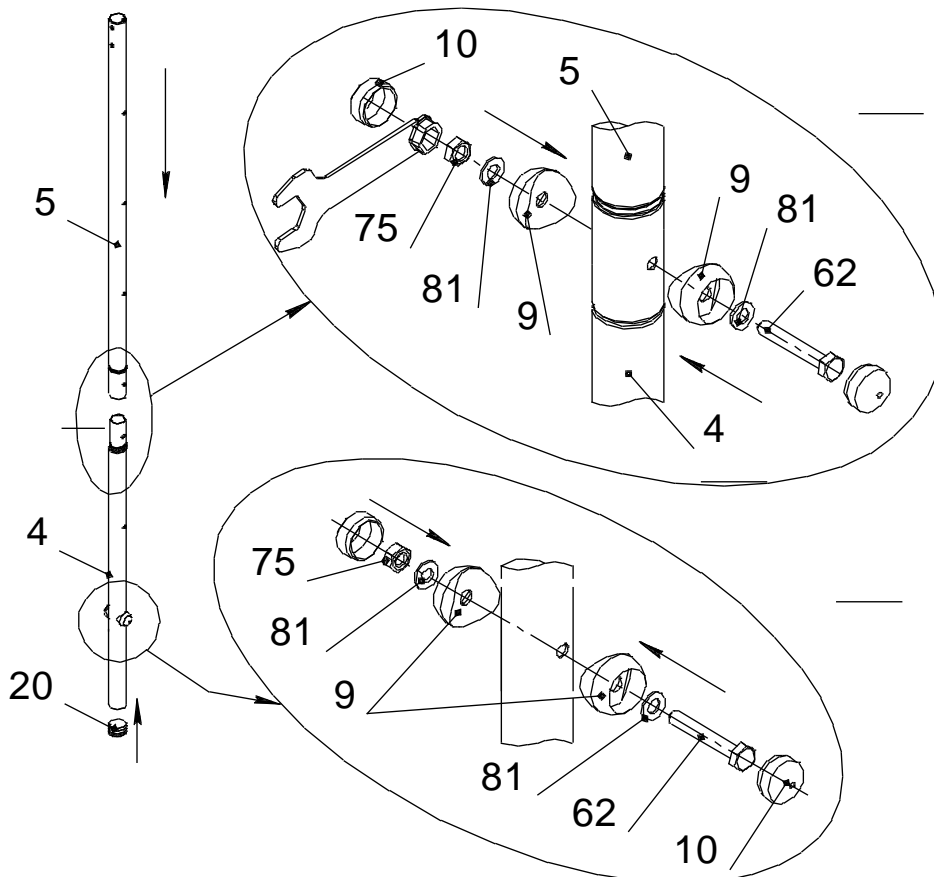
Table 4

No	Designation	Pic.	Q-ty pieces.	No PE package	No package
106.1	Disc completed with the cord		1	6	1
110	Fastener DSK 02-009-01		1	6	1

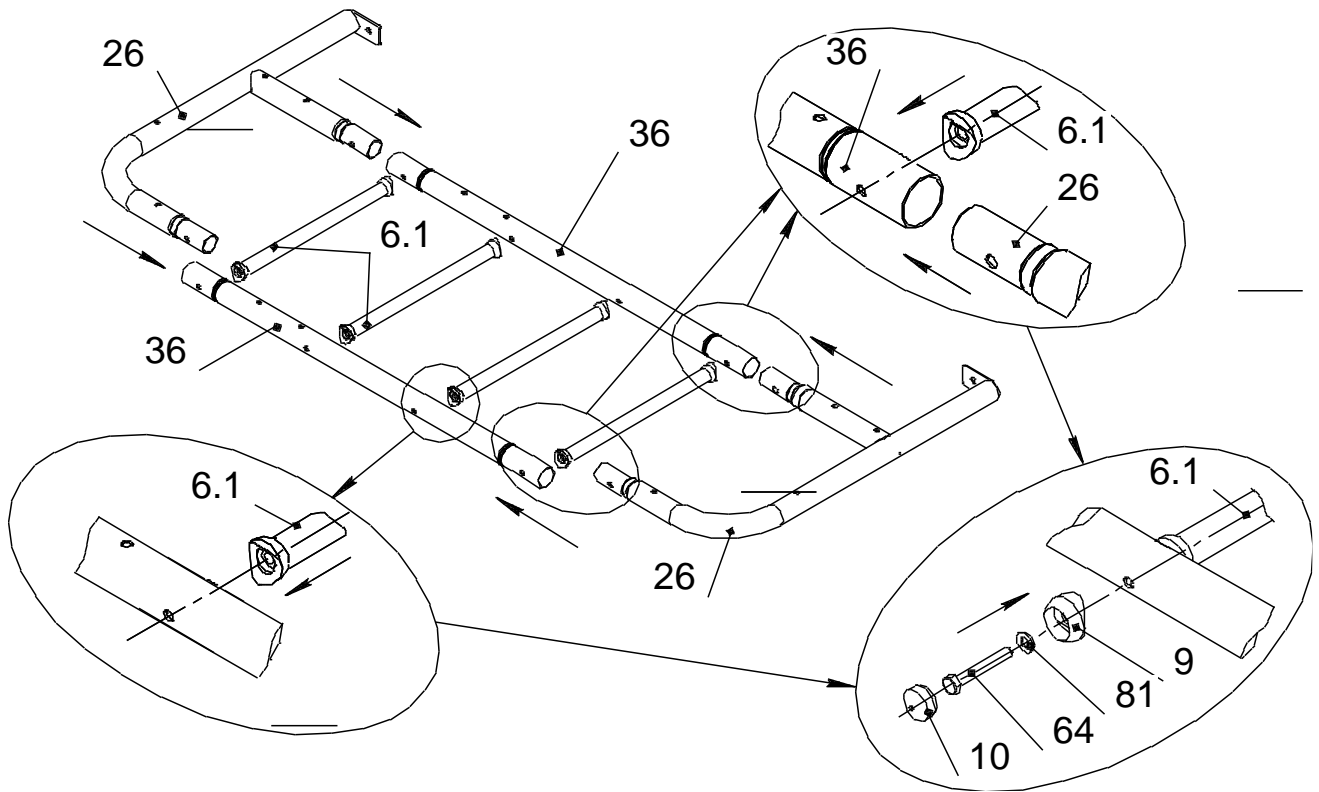
1



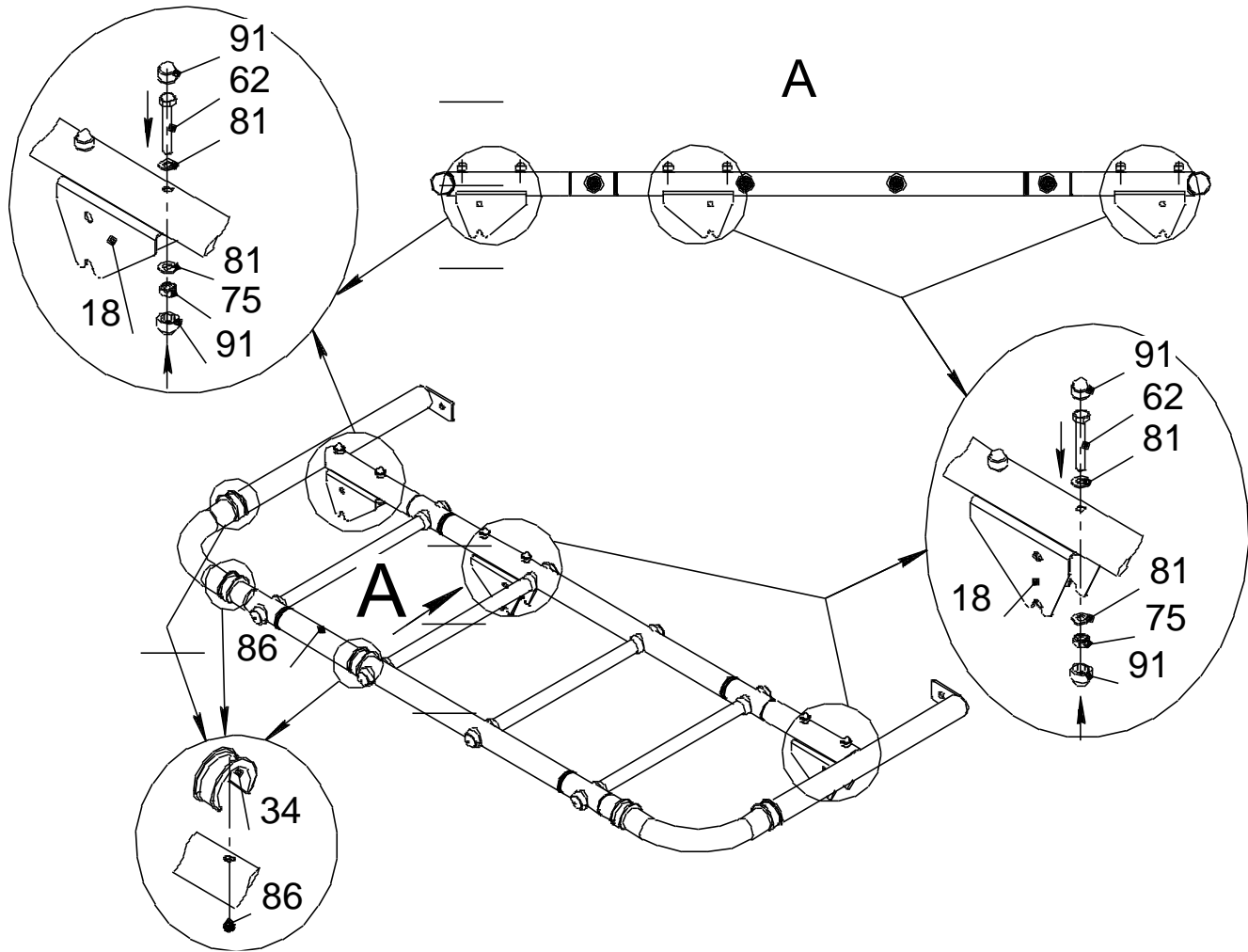
2



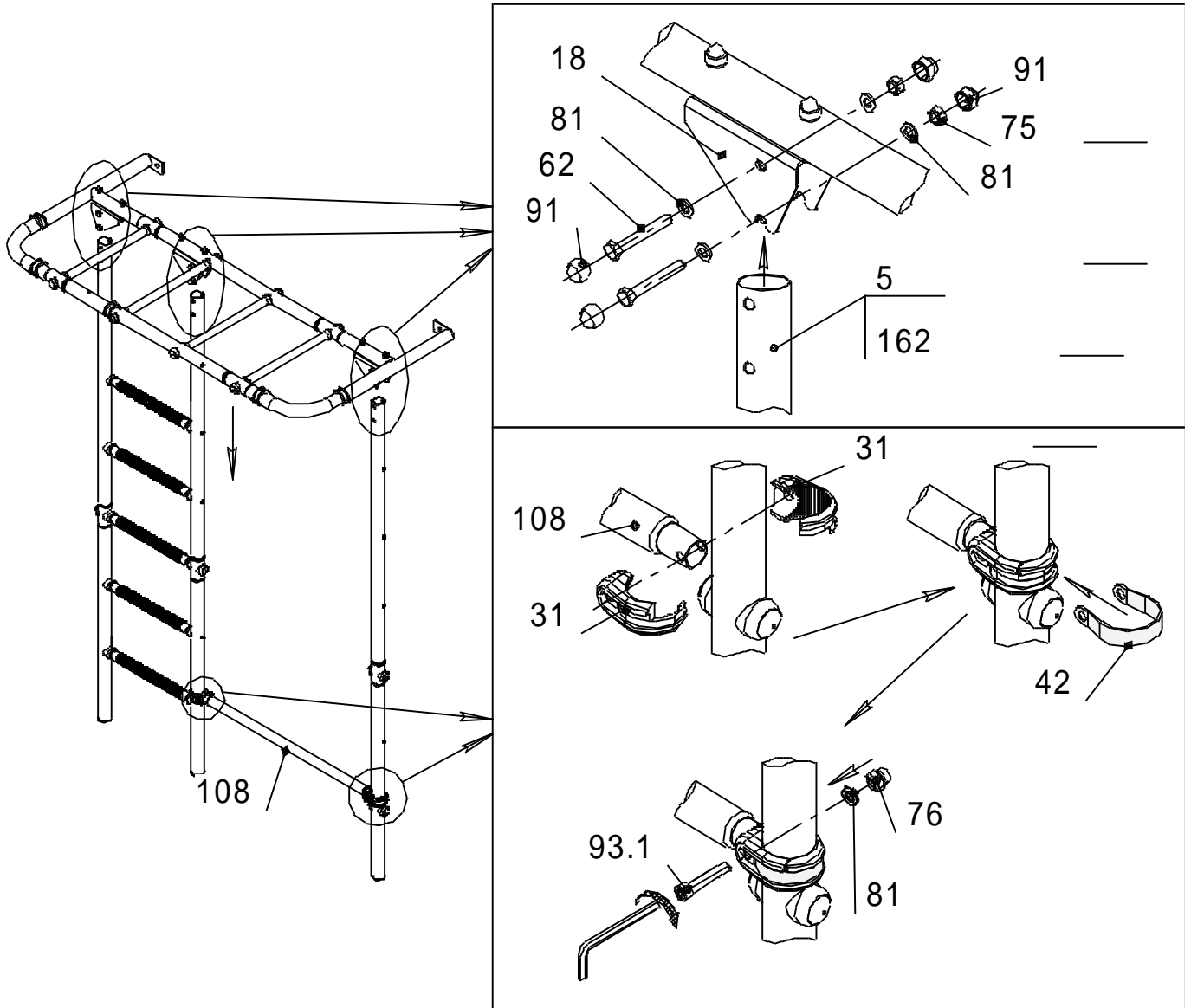
3



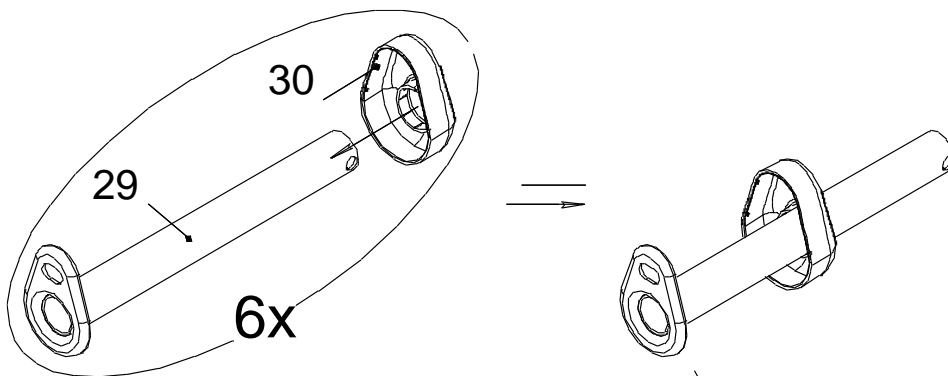
4



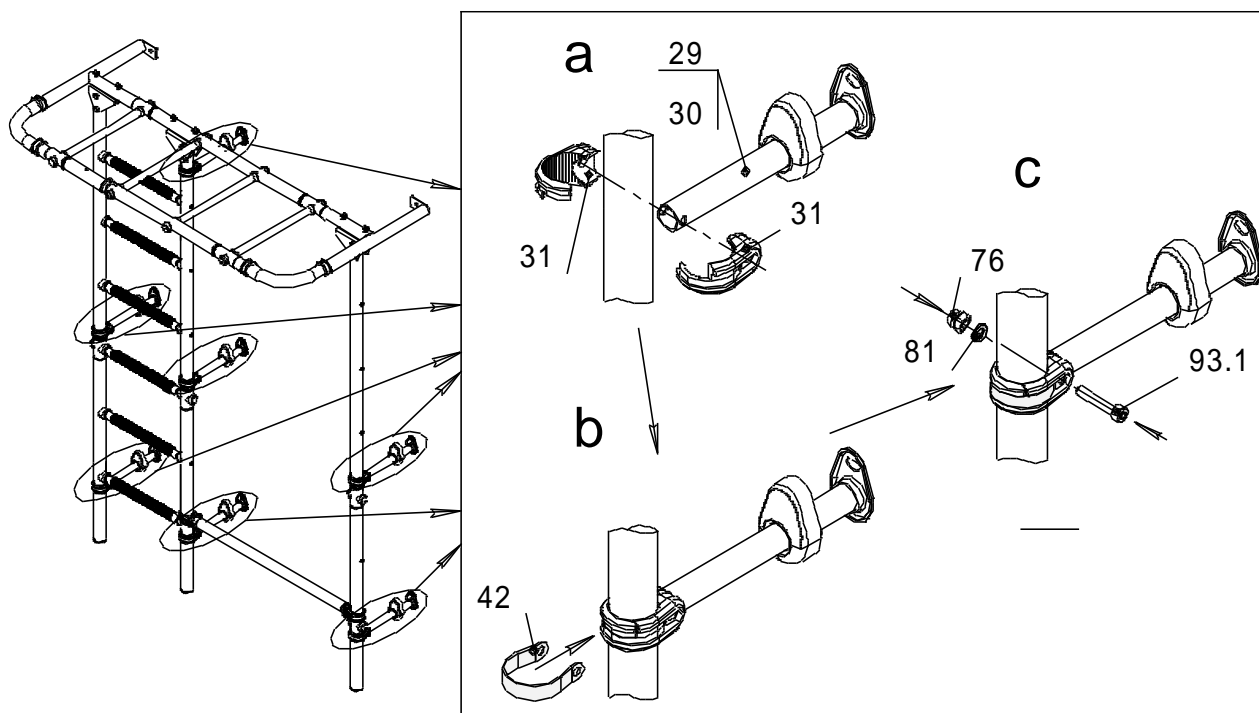
5



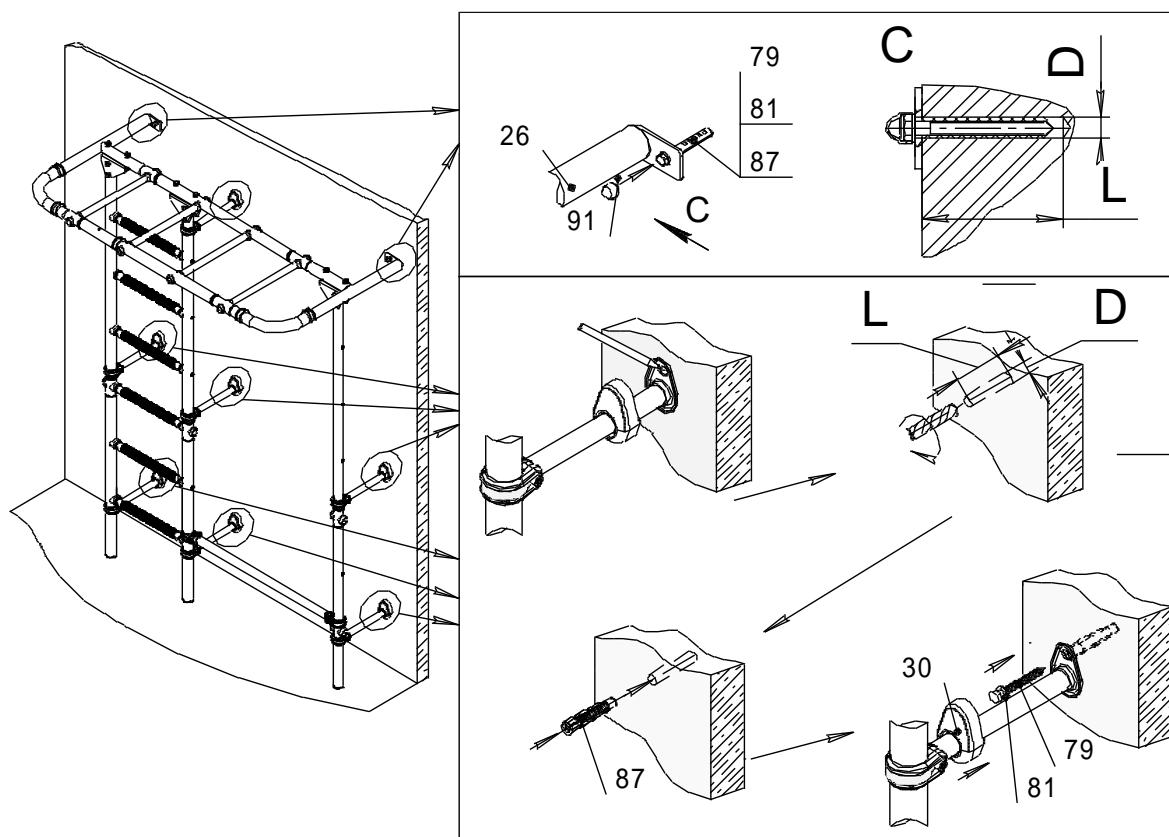
6



7



8 Put the set next to the wall. Mark and drill 9 holes according to the expansion bolt shields diameter item No. 87 with depth not less than the length of the coach screw item No. 79, insert and in the expansion bolt shields item No. 87. Put the SET against the wall and fix it



Gypsum and similar walls are not suitable for installation of wall-mounted SETS. The fasteners attached to the wall-mounted SETS are intended for concrete and brick walls. Use fasteners suitable for the wall material at your house. To select the appropriate fasteners, please contact a specialized store.

Different sequence of assembly is possible.

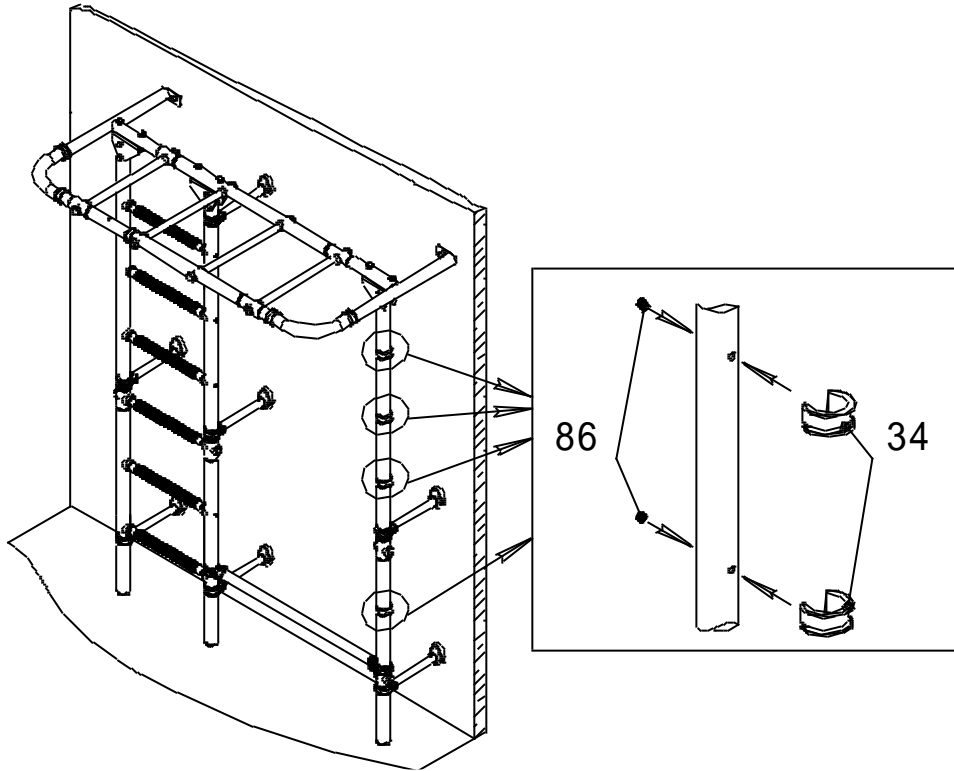
Mounting quality control.

Using the plummet make sure that the ladder is placed vertically in relation to the floor.

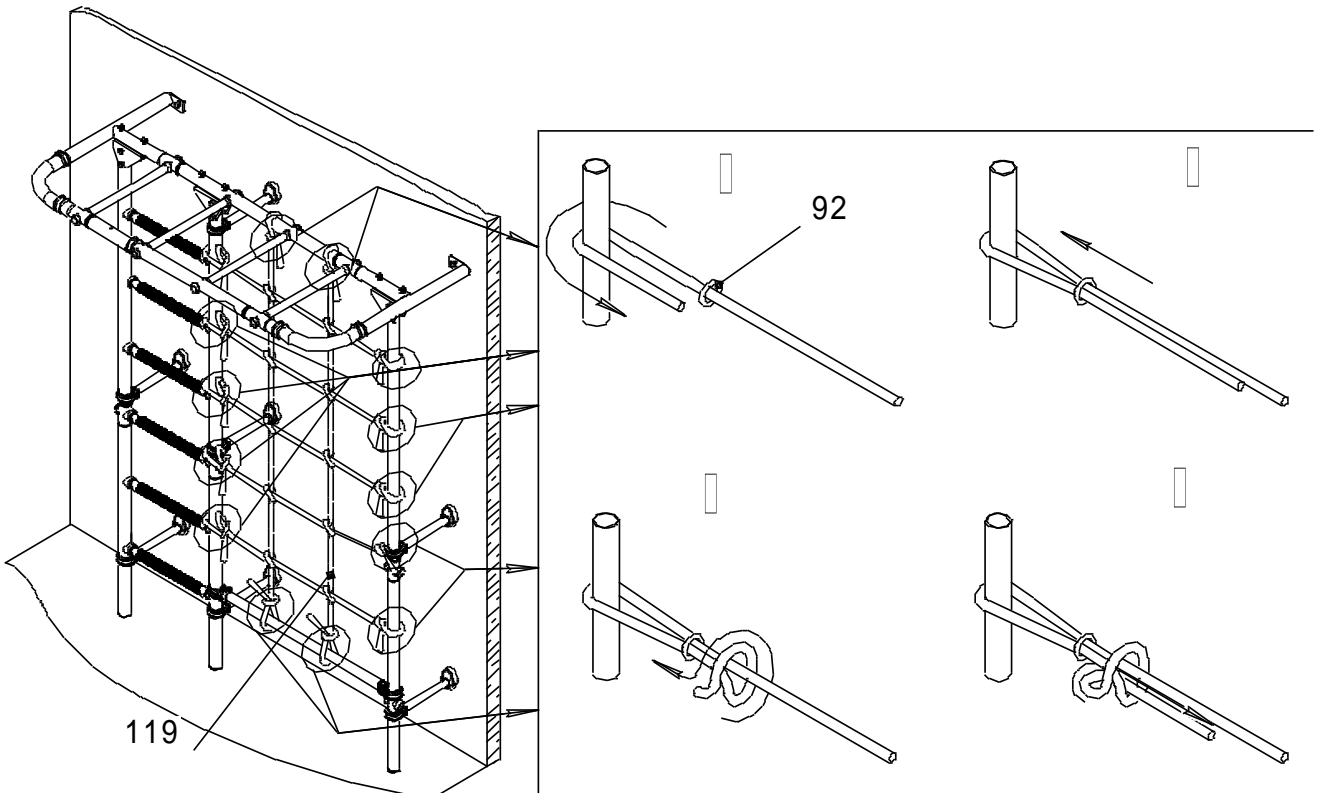
Test the SET by means of applying loads (165 lb min) to the rungs of the horizontal frame.

Make sure that the installation of the SET is reliable.

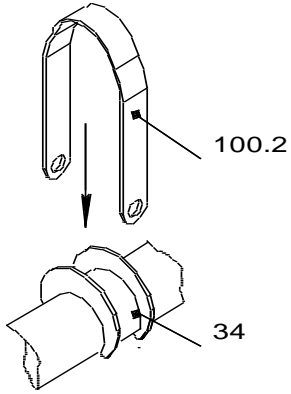
9



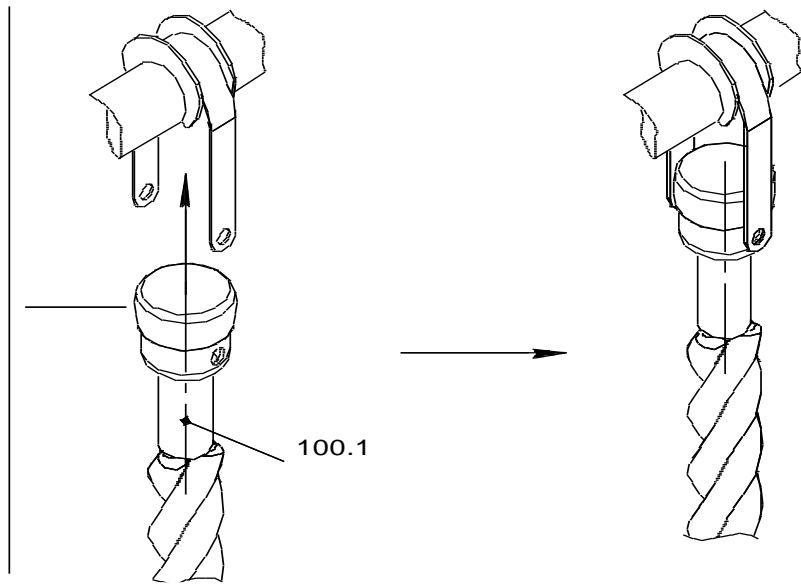
10



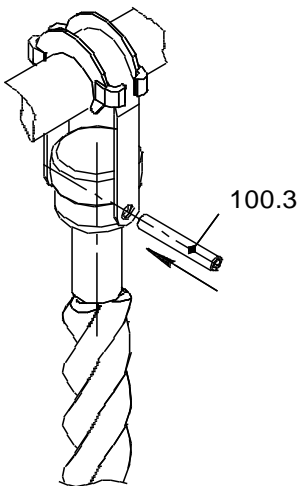
11



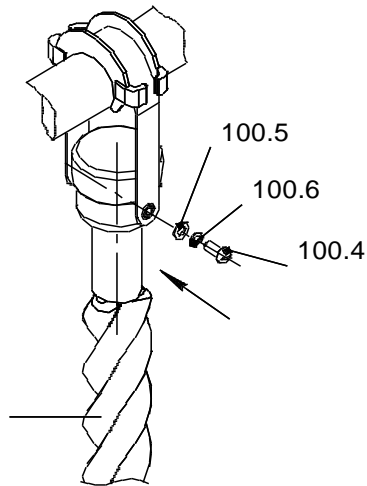
12



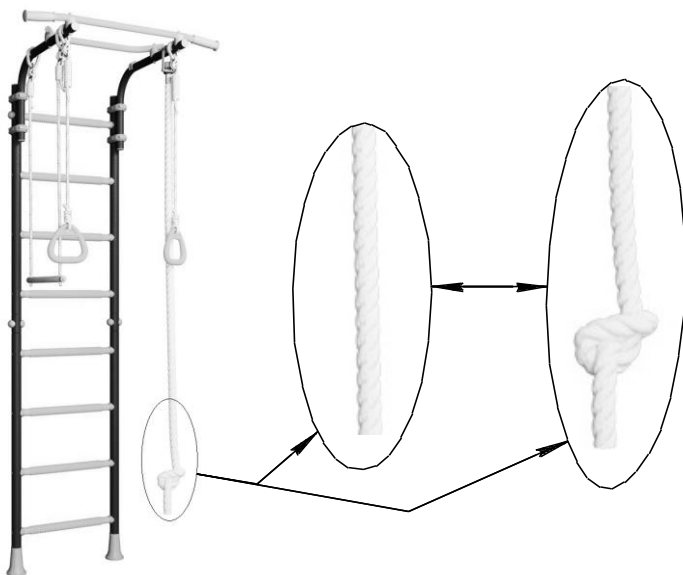
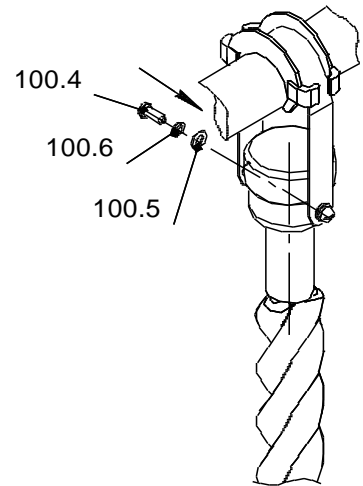
13



14



15



The rope should be used according to its intended purpose. Do not twist or untie strands against braiding.

16; 17

