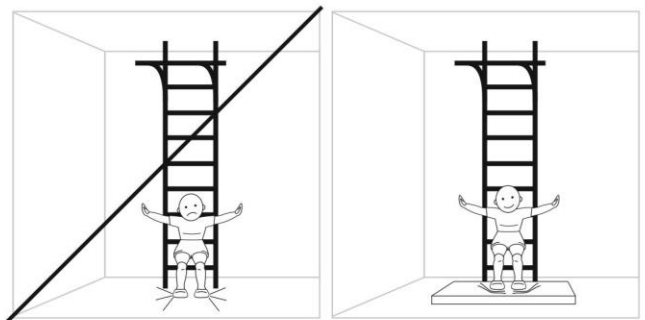
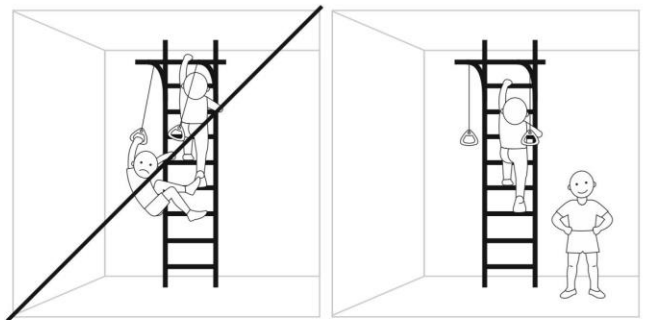
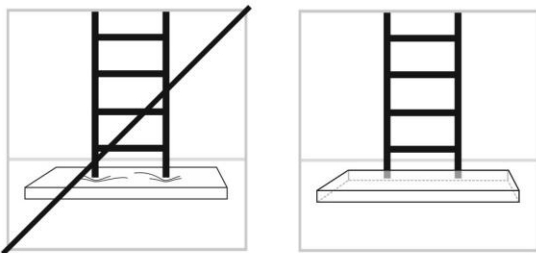
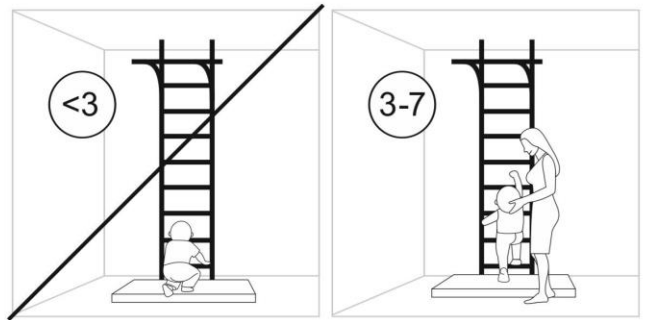
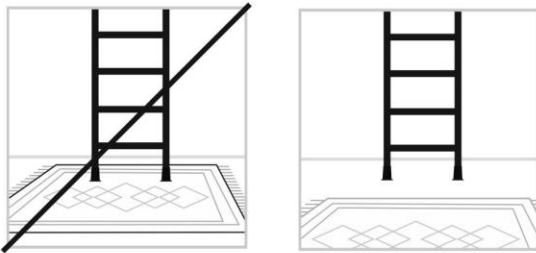
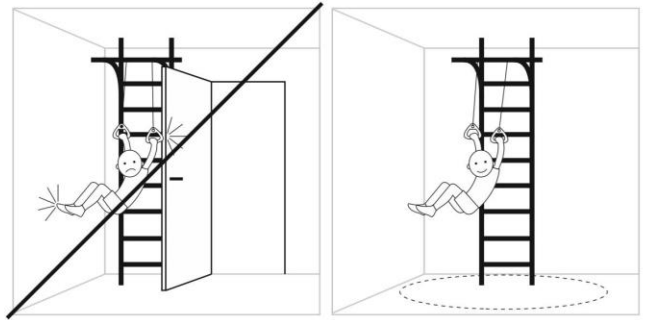
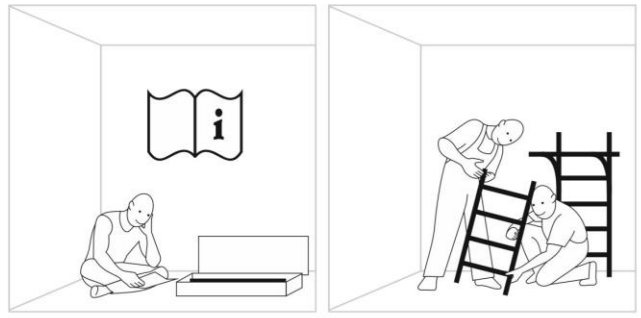
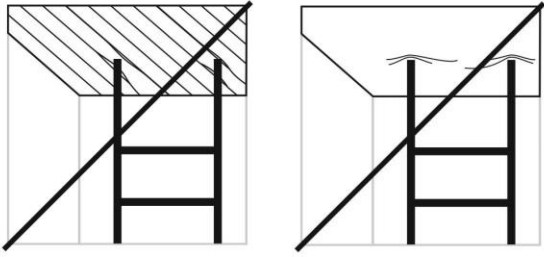
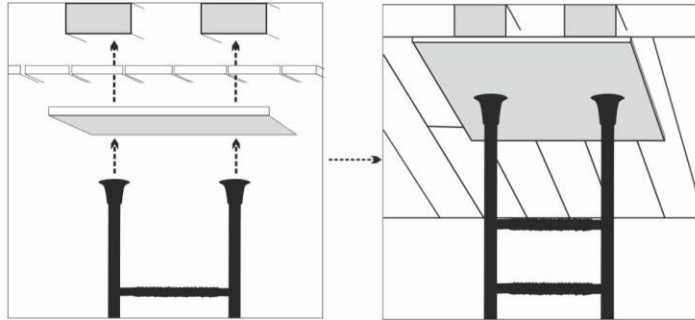
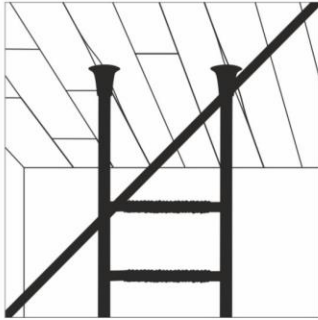


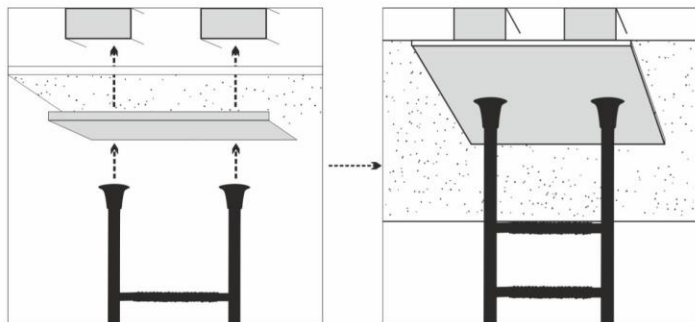
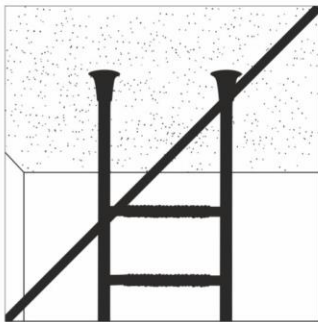
R5 Kometa



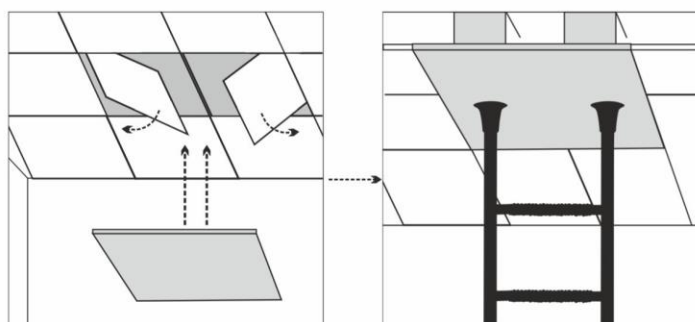
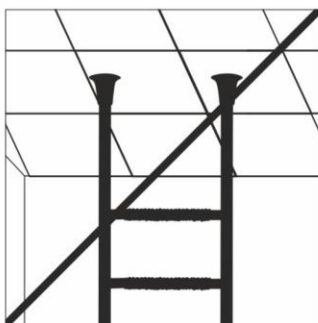




Wooden ceiling



Drywall ceiling

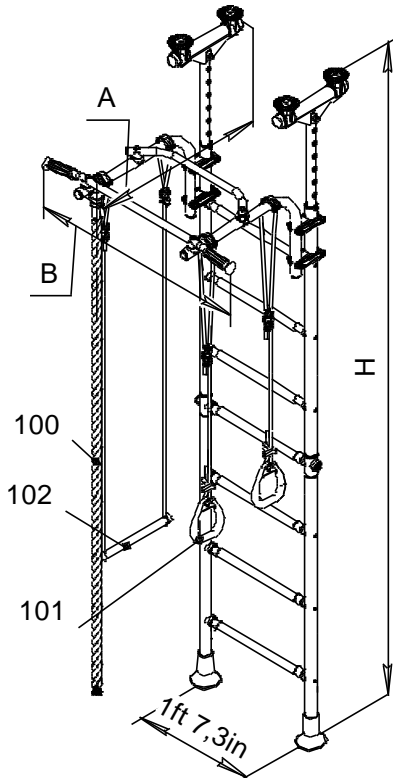


Suspended ceiling

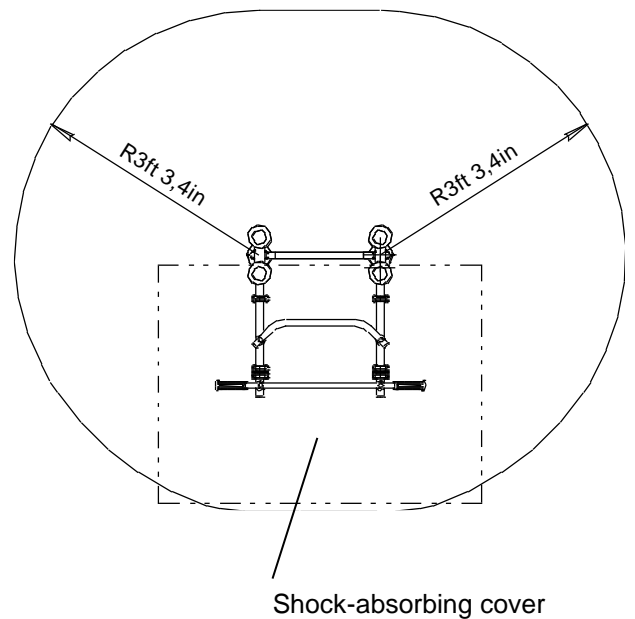
MOUNTING GUIDE

01.20.7.06.490.03.00-24

Overall dimensions	length	2ft 5,7in
	width	2ft 9,9in
	Height	from 7ft 6,2in to 9ft 2,2in
Gross weight, lb, max		58,3 lb
Maximum user's weight, lb (except accessories)		220 lb
Maximum working load on accessories, lb		110 lb
Premises height:		
H min		7ft 6,6 in
H max		9ft 2,2in


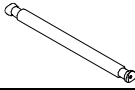
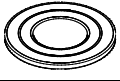
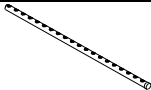




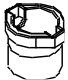
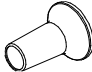


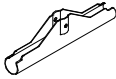



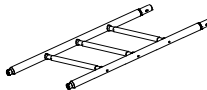
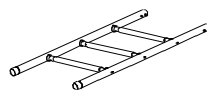


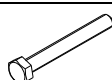






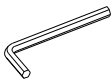
Safety zone

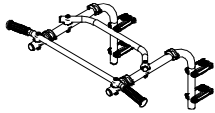





CONFIGURATION

Table 1

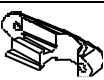


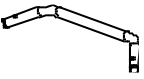

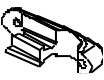






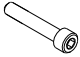
Item No.	Parts, assembly units		Quantity, pieces.	Polyethylene packet No.	Package No.
	Name Designation	Pic.			
2	Shaft DSKM 03.036.01		2	2	1
6	Step 1.DSK-Пр.06.490.02.01		1		1
7	Padding DSK 05.075.00		6	1	1
8	Insert 1.DSK 049.04-20		2		1
9	Case DSK 05-011-20		2	1	1
10	Cover DSK 05-012-20		2	1	1

13	Plug DSK 05.127.00-20		2	1	1
14	Cap DSK 05-040-20		2		1
15	Insert DSK 05.110.00		4	1	1
17	Upper support DSK 05.107.00-20		4	1	1
19	Beam DSKM 02.058.00		2		1
20	Cover DSK 05-022-20		4	1	1
24	Support DSK 02.050.00		2	1	1
86	Cover DSK 05.070.00-20		6	1	1
161	Lower half-ladder 1.DSKM-ЛН3.06.490.110		1		1
162	Upper half-ladder 1.DSKM-ЛВ3.06.490.110		1		1
Standard tools					
61	Bolt M8x45.58.016 GOST 7798-92		2	2	1
64	Bolt M8x65.58.016 GOST 7798-92		2	2	1
67	Bolt M16x110.58.016 GOST 7798-92		2	2	1
75	Nut M8.6.016 GOST 5915-98		2	2	1
77	Nut M16.6.016 GOST 5915-98		2	2	1
81	Washer 8.01.016 GOST 11371-78		4	2	1
84	Cover D10		44	1	1
91	Decorative cap №13		4	1	1
	Wrench S=24x13 mm		2	2	1
	Hex-nut wrench S=6 mm		1	2	1

114	Movable frame 1.DSKM 150.00-20 See table 2		1		1
100	Climbing rope 6.51.01-20 See table 3		1	4	1
101	Gymnastics rings 1.D-27.00-22 See table 4		1	5	1
102	Trapeze 6.53.01-21 See table 5		1	6	1

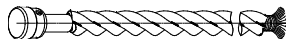
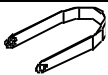
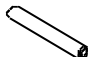



Parts of single order of the movable frame 1.DSKM 150.00-20

Table 2

Item No.	Name Designation	Pic.	Quantity, pieces.	Polyethylene packet No.	Package No.
26	Bar 1.DSK 039.00-20		1		1
28	Clamp DSK 05.122.00-20		8	3	1
41	Plate DSKM 02.105.01		8	3	1
49	Reel-clip DSK 05.109.00-20		6	3	1
52	Crossbar assembly 1.DSKM 066.00-20		1		1
53	Brace assembly 1.DSKM 065.03-20		2		1
54	Half-clamp 25 DSK 05.060.03-20		4	3	1
55	Half-clamp DSK 05.060.04-20		4	3	1
Standard tools					
65	Bolt M8x75.58.016 GOST 7798-70		4	3	1
76	Nut M8 GOST 11860-85		12	3	1
81	Washer 8.04.016 GOST 11371-78		4	3	1
85	Washer 8H 65Г GOST 6402-70		8	3	1
93	Screw M8 x 55.58.016 GOST 11738-84		8	3	1




Parts of single order of the Climbing rope 6.51.01-20

Table 3

Item No.	Name Designation	Pic.	Quantity, pieces.	Polyethylene packet No.	Package No.
100.1	Rope assembly		1	4	1
100.2	Brace DSK 2.051.00		1	4	1
100.3	Axle DSK 03.030.00		1	4	1
100.4	Screw M5-7gx 12.56 GOST 17473-80		2	4	1
100.5	Washer 5.01.016 GOST 11371-78		2	4	1
100.6	Washer 5.65Г GOST 6402-70		2	4	1


Parts of single order of the gymnastics rings 1.D-27.00-22

Table 4

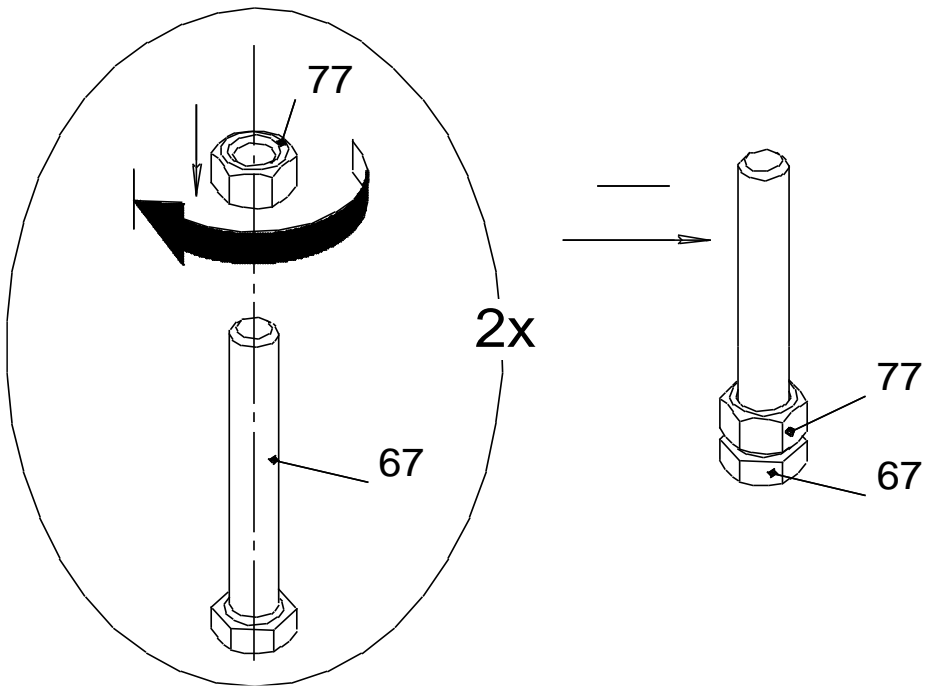
Item No.	Name Designation	Pic.	Quantity, pieces.	Polyethylene packet No.	Package No.
101.1	Ring DSK 05.119.00-20		2	5	1
101.2	Rope DSK-BO 91.03.10.001-03		2	5	1
110	Holder DSK 02-009-01		2	5	1

Parts of single order of the Trapeze 6.53.01-21

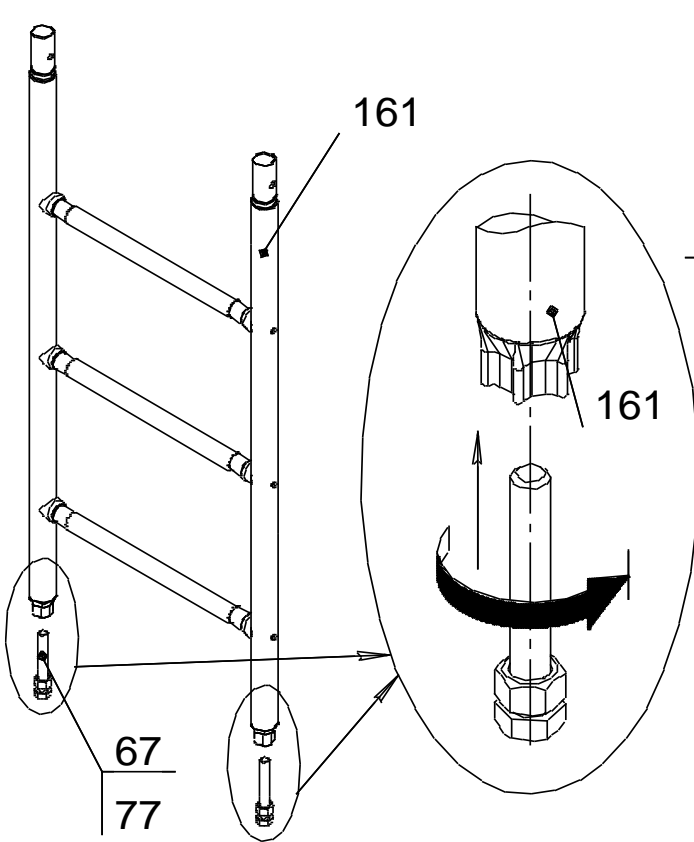
Table 5

№	Component parts	Description	Q-ty pieces.	№ PE package	№ package
102.1	Trapeze assembled		1	6	1
110	Holder DSK 02-009-01		2	6	1

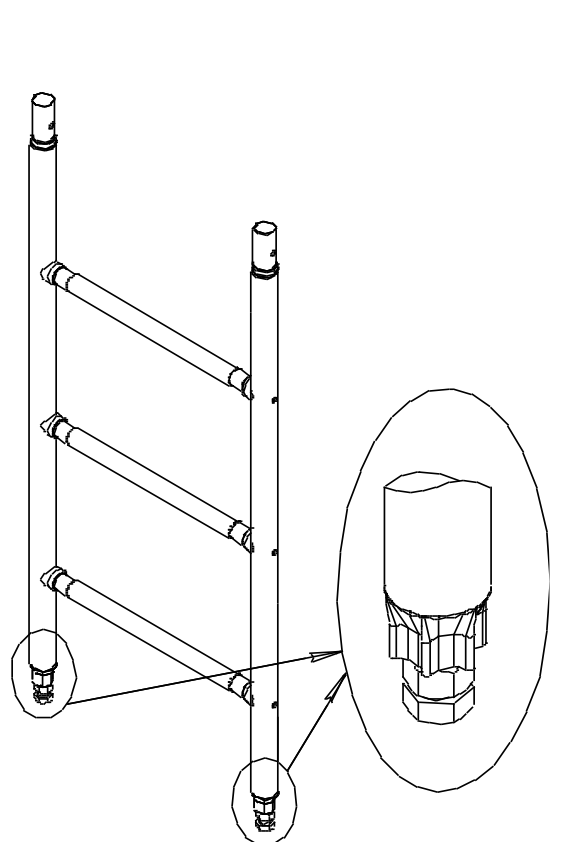
1

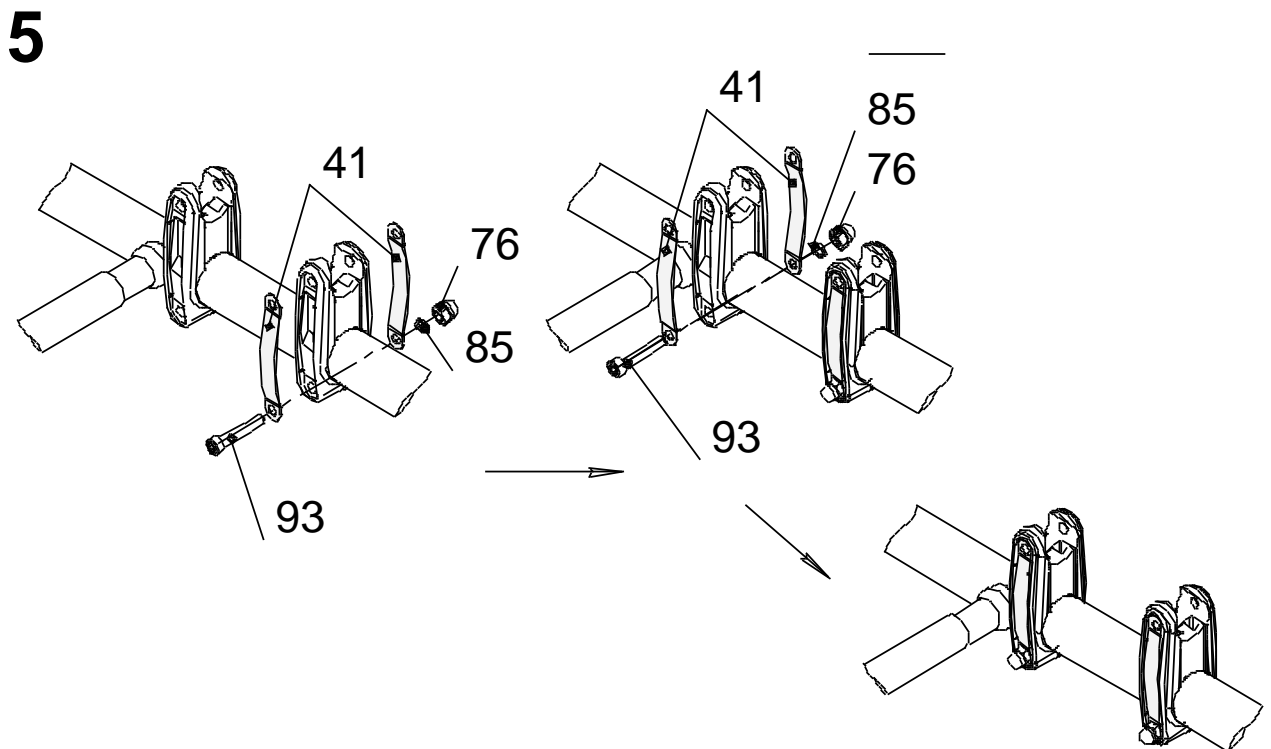
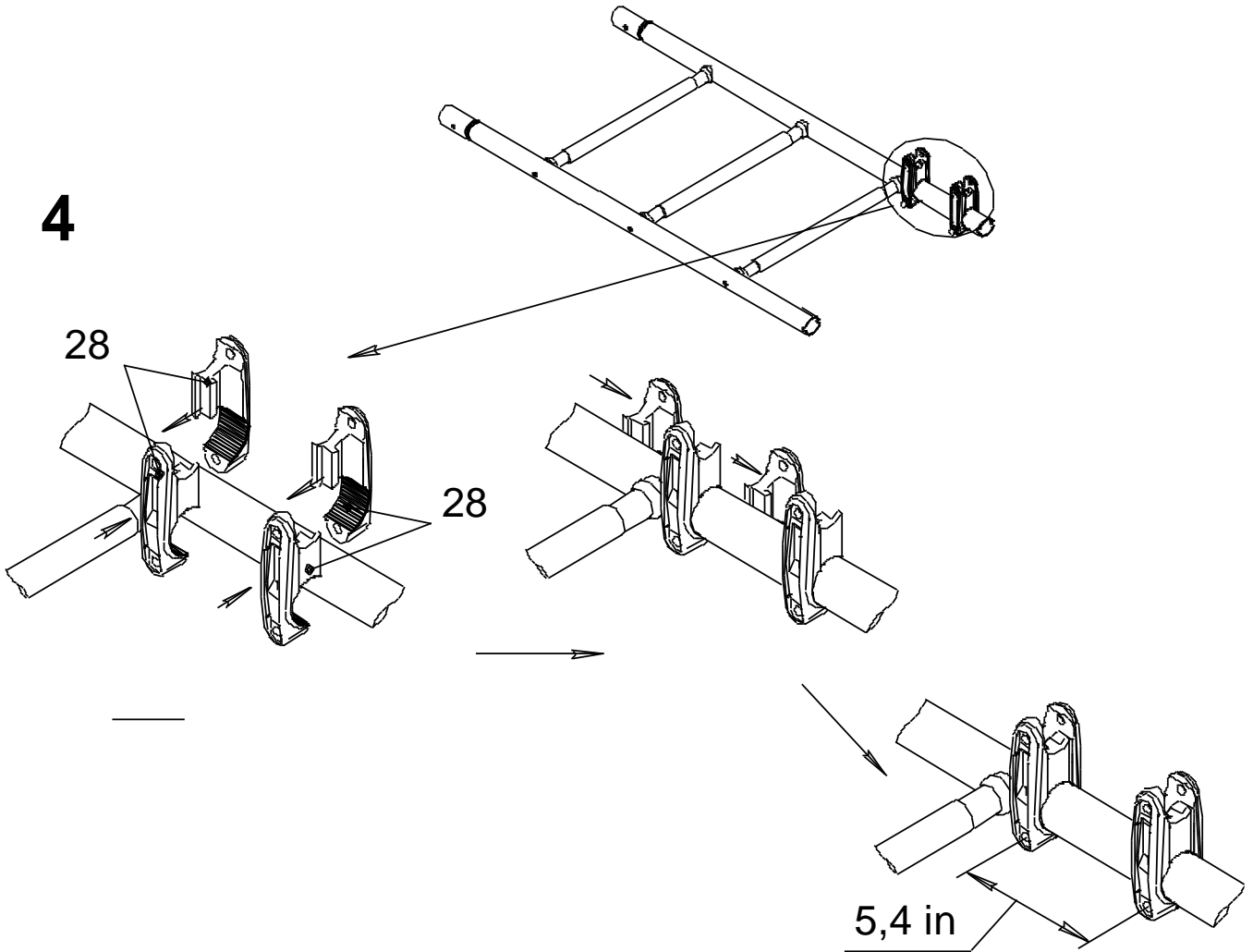


2



3

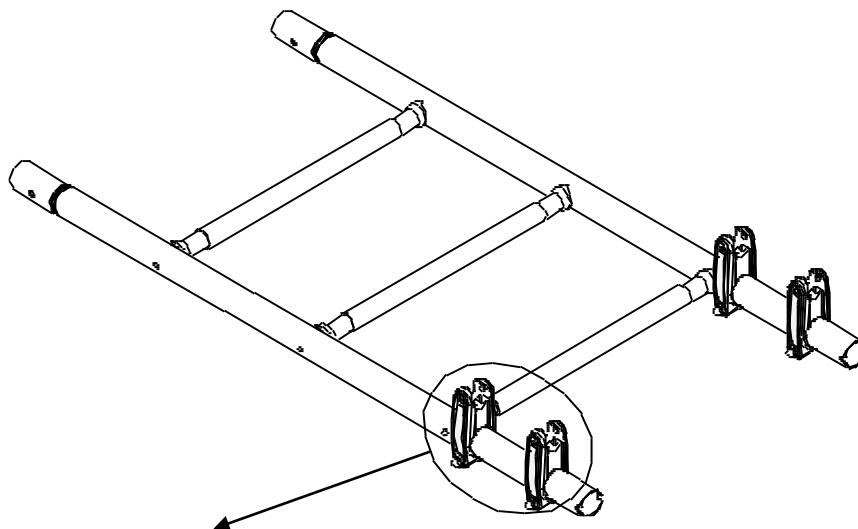




Note! It is recommended to support yoke clamps pos. 28 on the crossbars.

Do not tighten the screws pos. 93! You should start the screws position 93 with the nuts position 76 preliminary; the washers position 85 should not be used by that (see point 12).

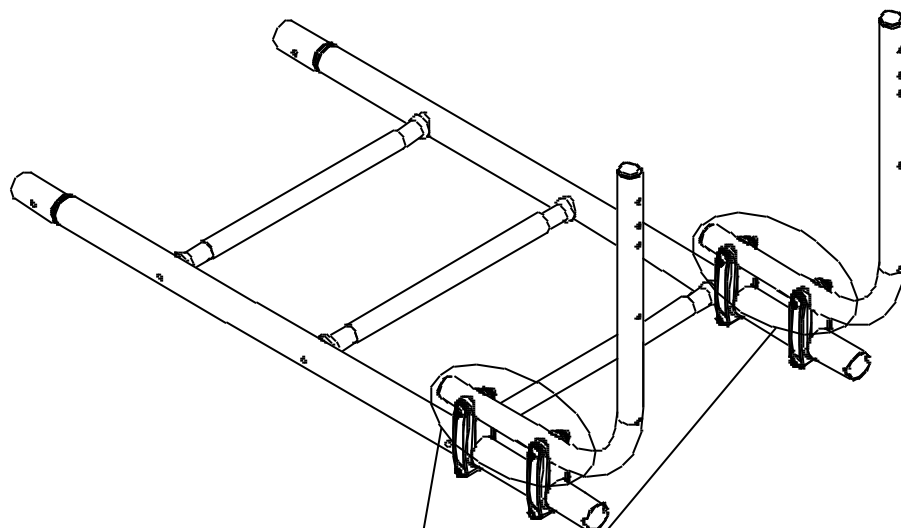
6



See art. 4; 5

Do not tighten the screws pos. 93! You should start the screws position 93 with the nuts position 76 preliminary; the washers position 85 should not be used by that (see point 12).

7



53

93
76
85

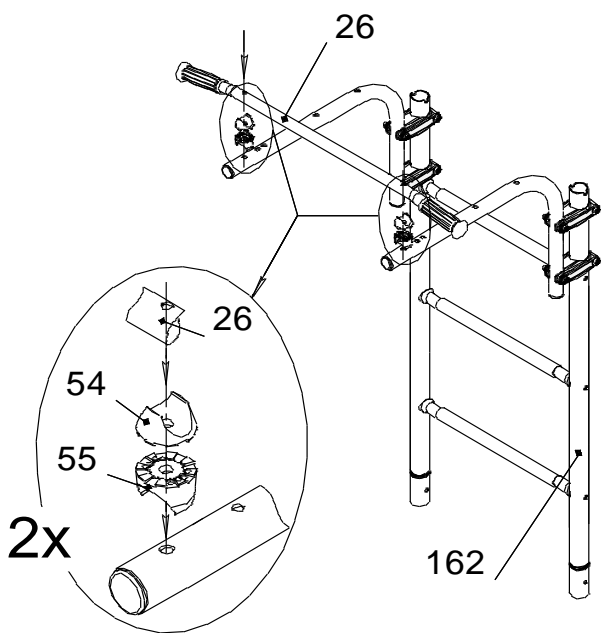
76

85

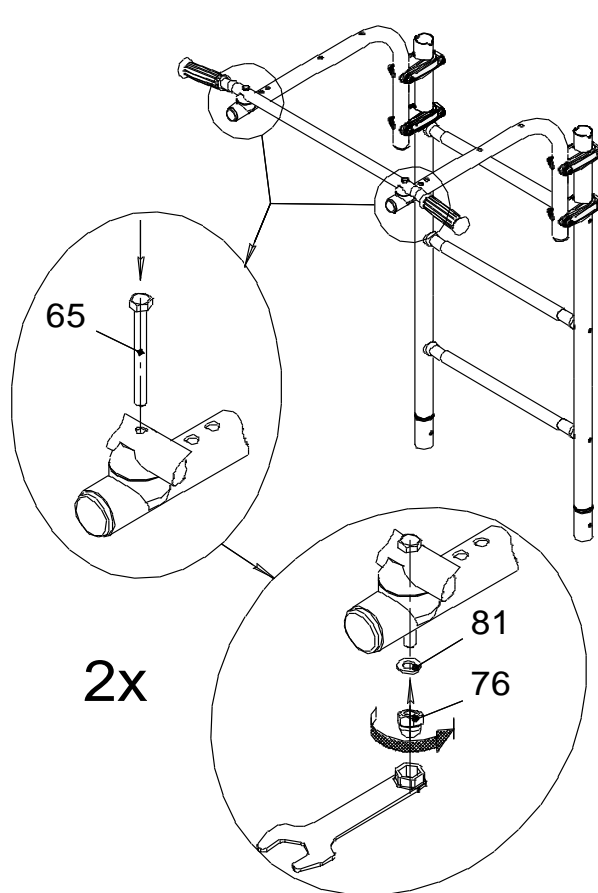
53

93

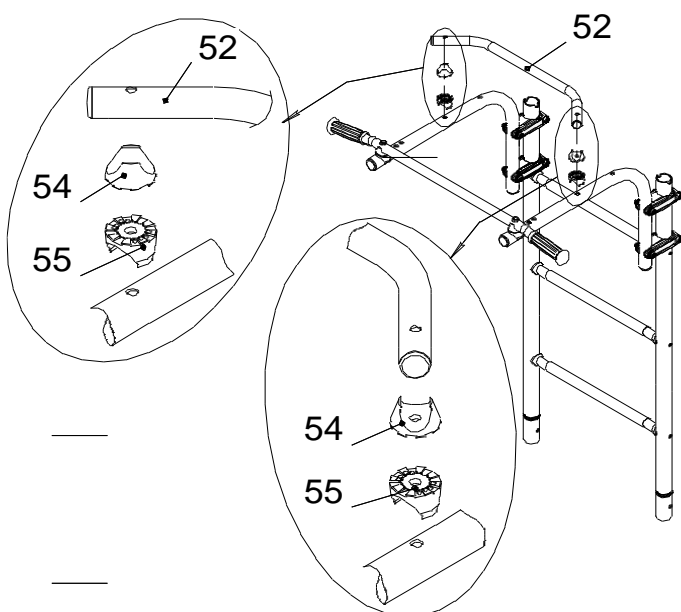
8



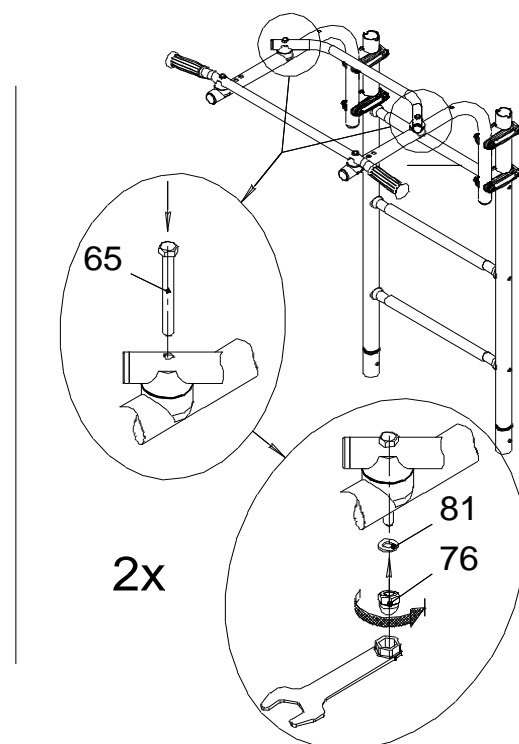
9



10



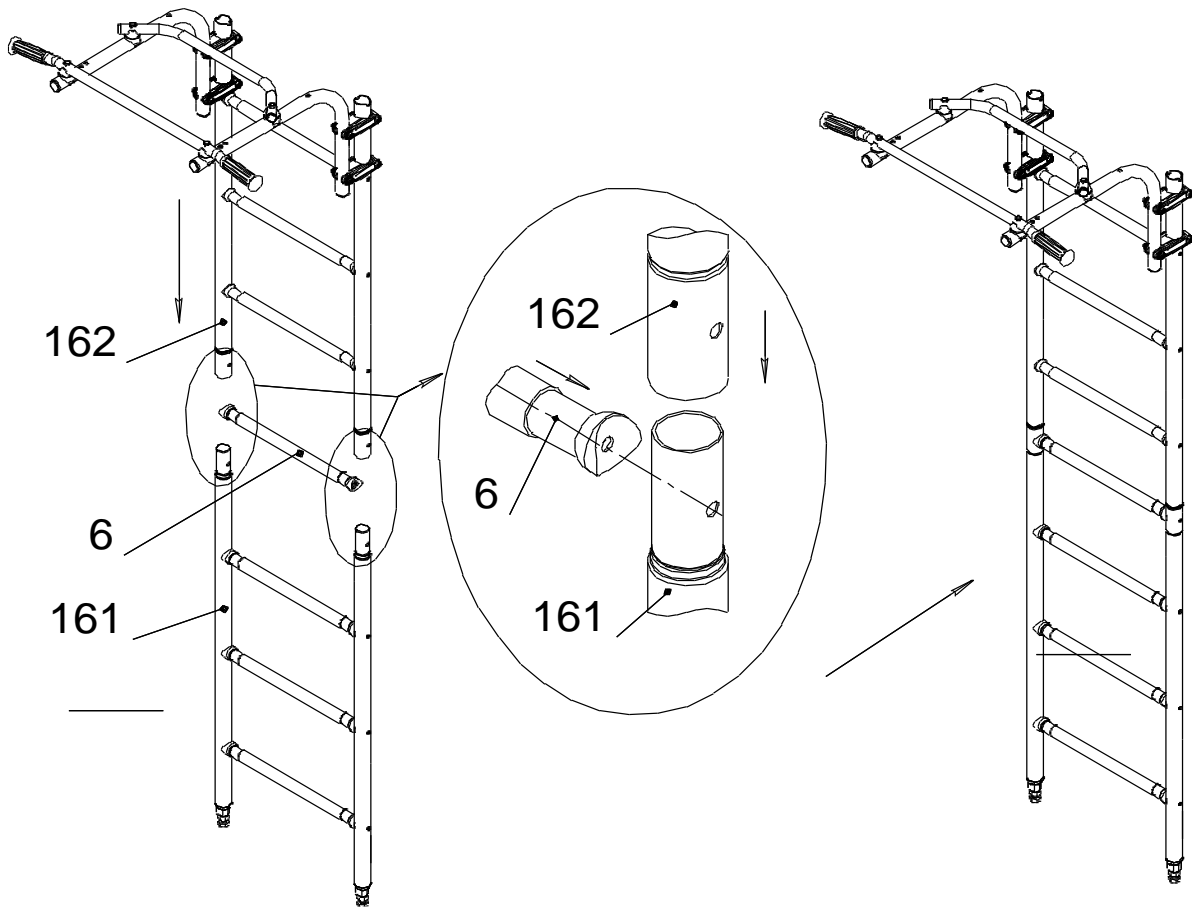
11



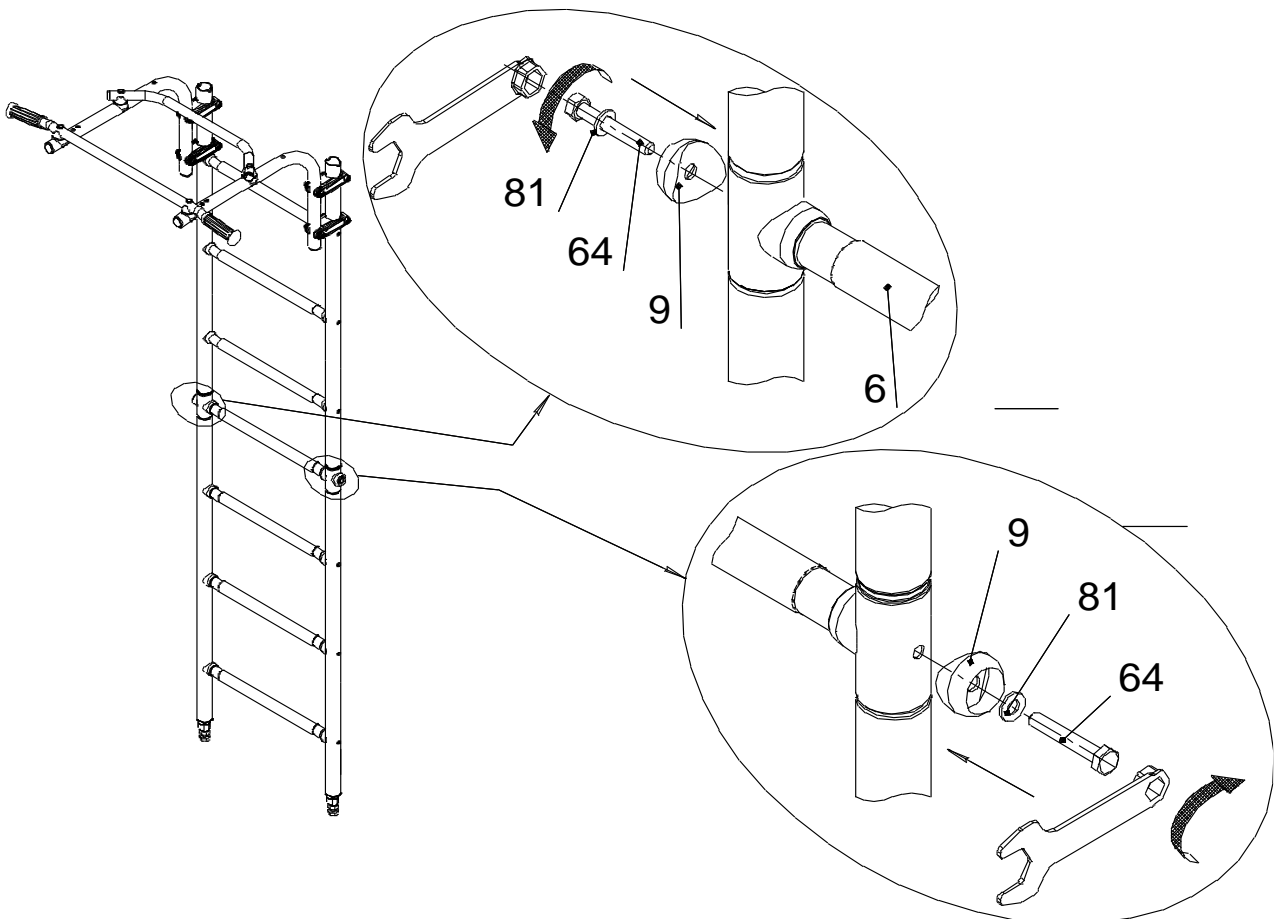
12

After assembling the angle bars position 53 with the trapeze platform position 26 and the assembled beam position 52 you should tighten the screws position 93 until stop to make the plates position 41 to go closely into the slots of the yoke clamps (see Figures 5...7). After that you should unscrew the screws position 93 in turn and install these screws again using the washers position 85. **Then you should finally tighten the screws position 93.**

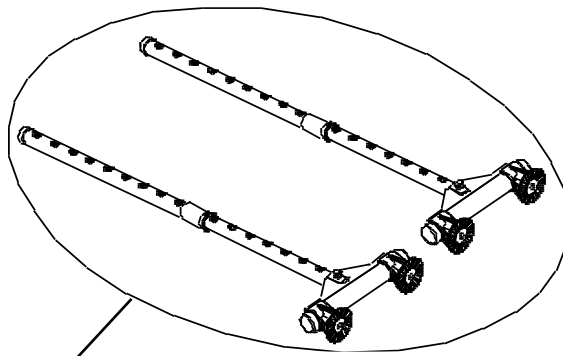
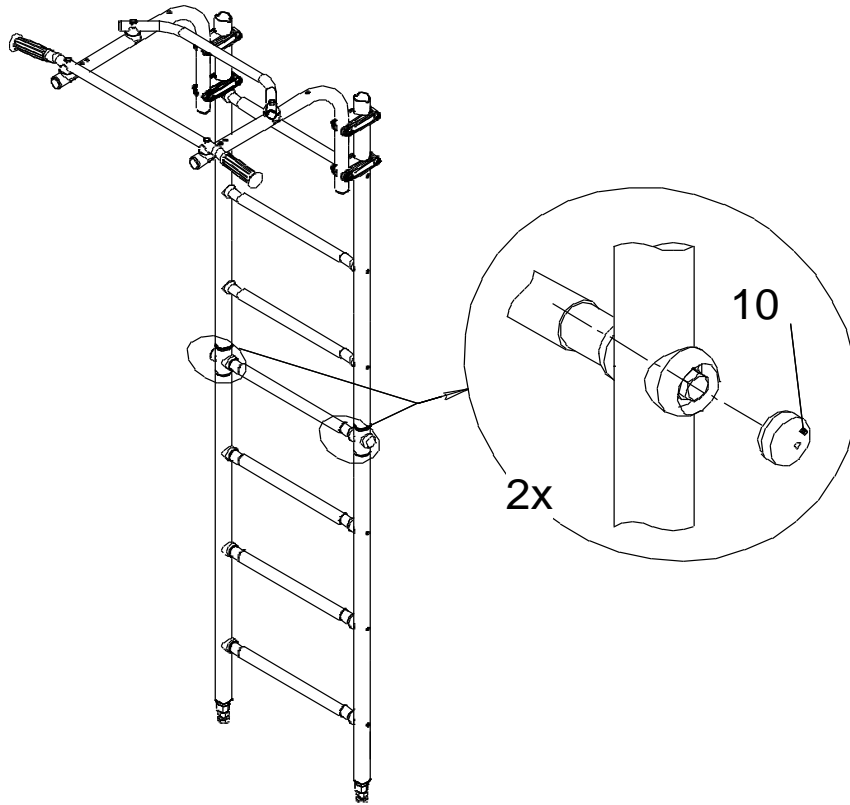
13



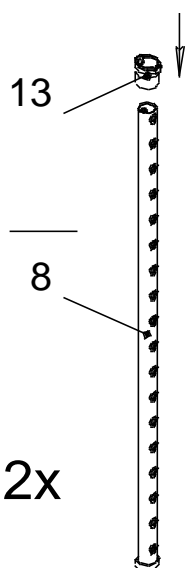
14



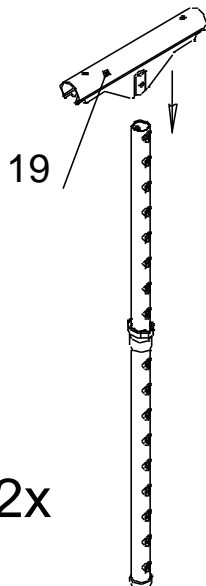
15



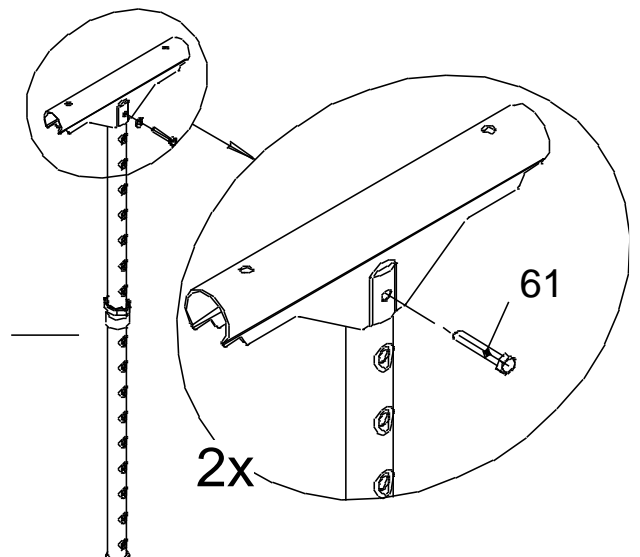
16



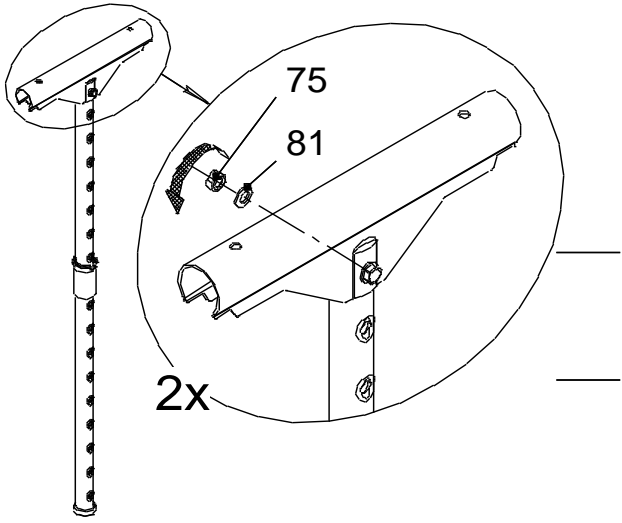
17



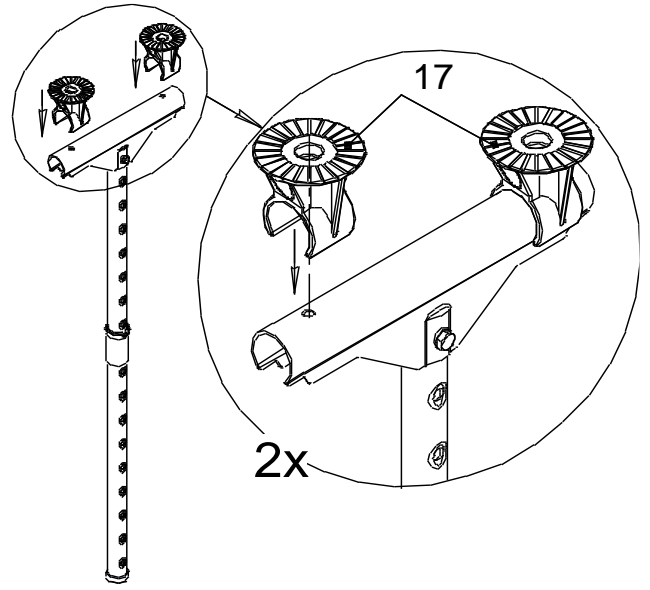
18



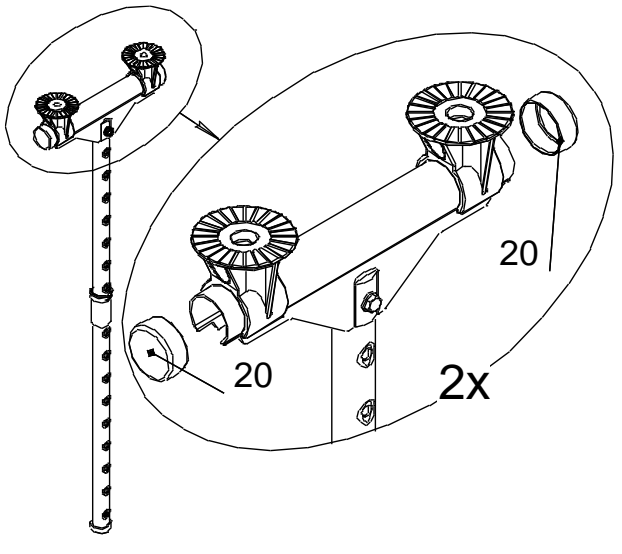
19



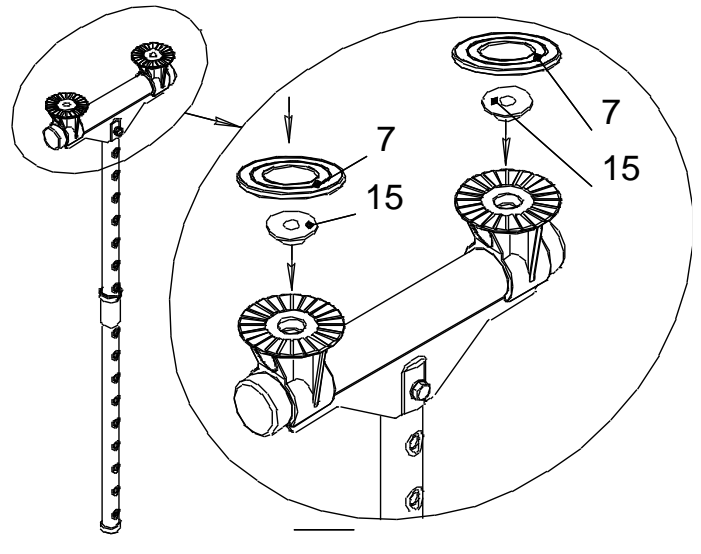
20



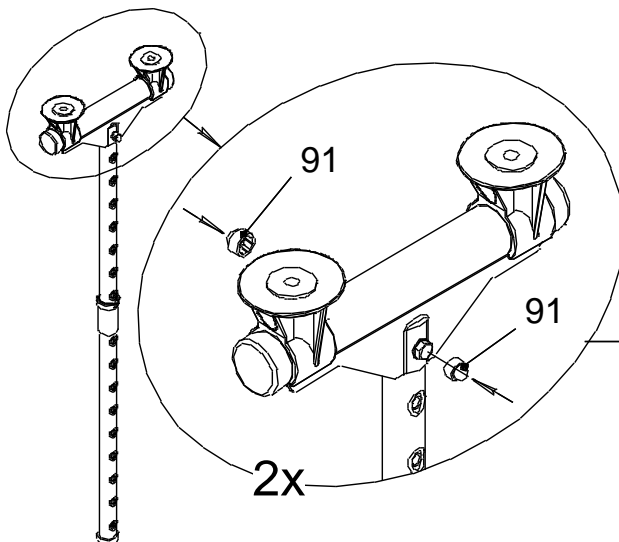
21



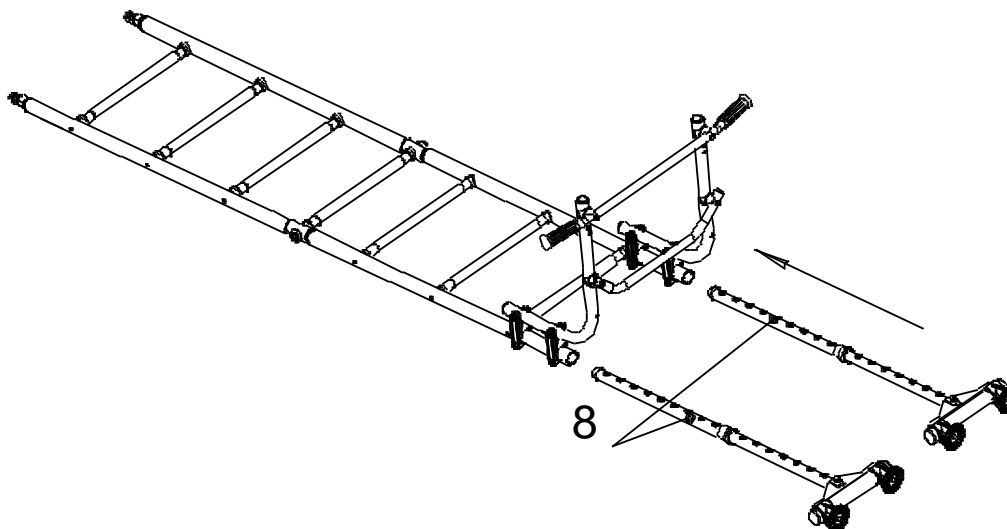
22



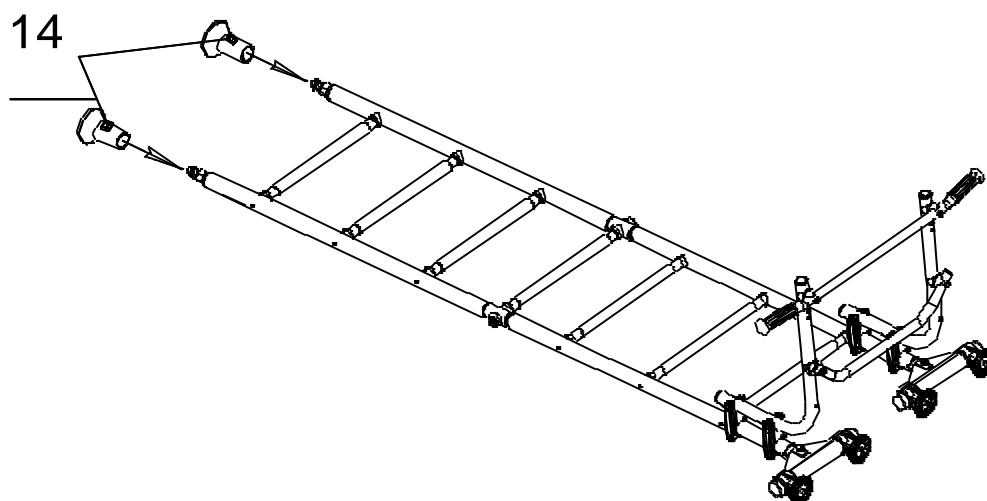
23



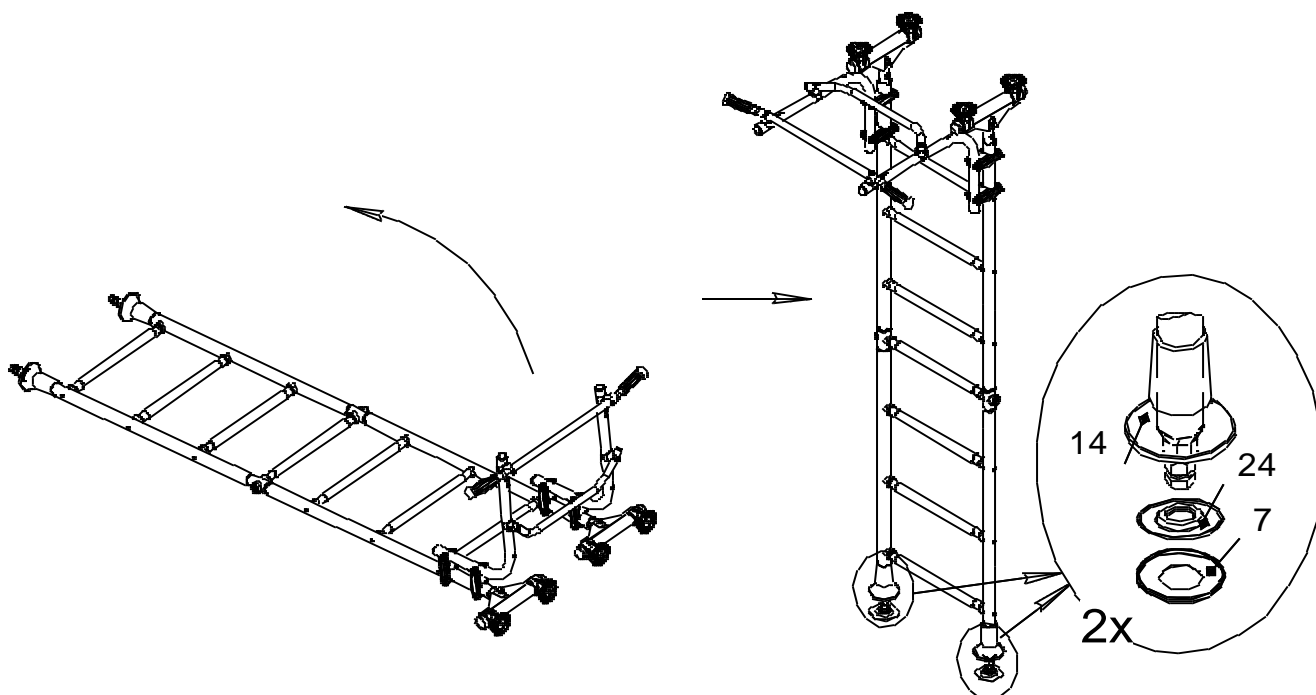
24



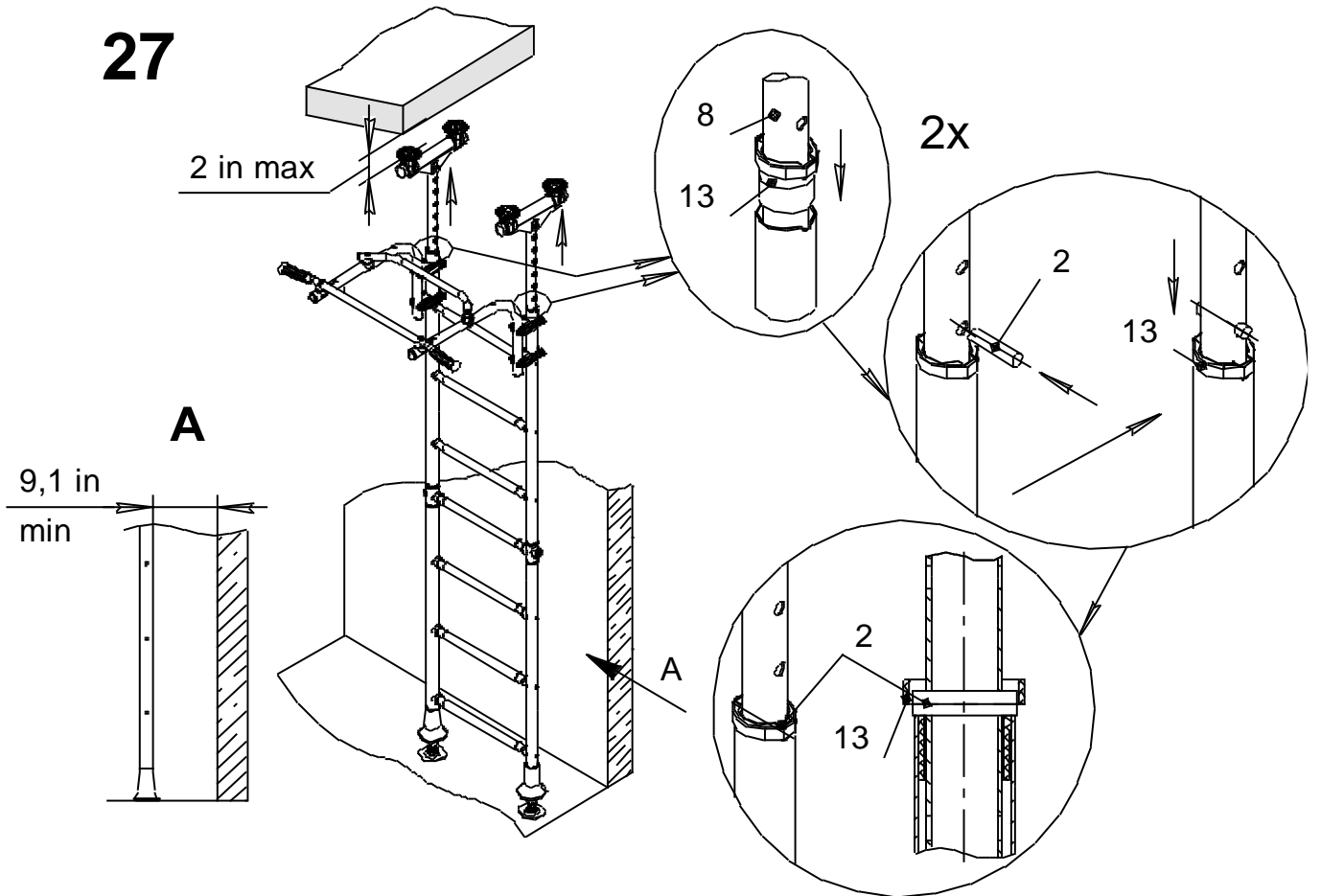
25



26

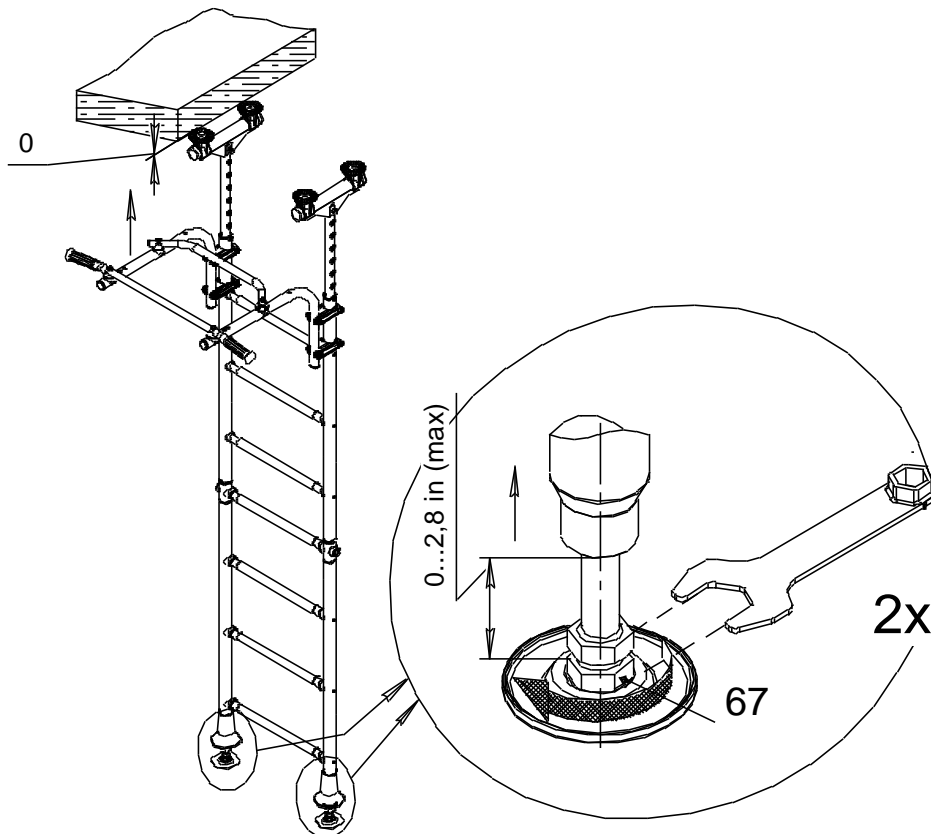


27



To prevent the child from getting stuck between the wall and the ladder, the SET must be installed so that the distance from the wall to the stanchions is more than 9,1 in.

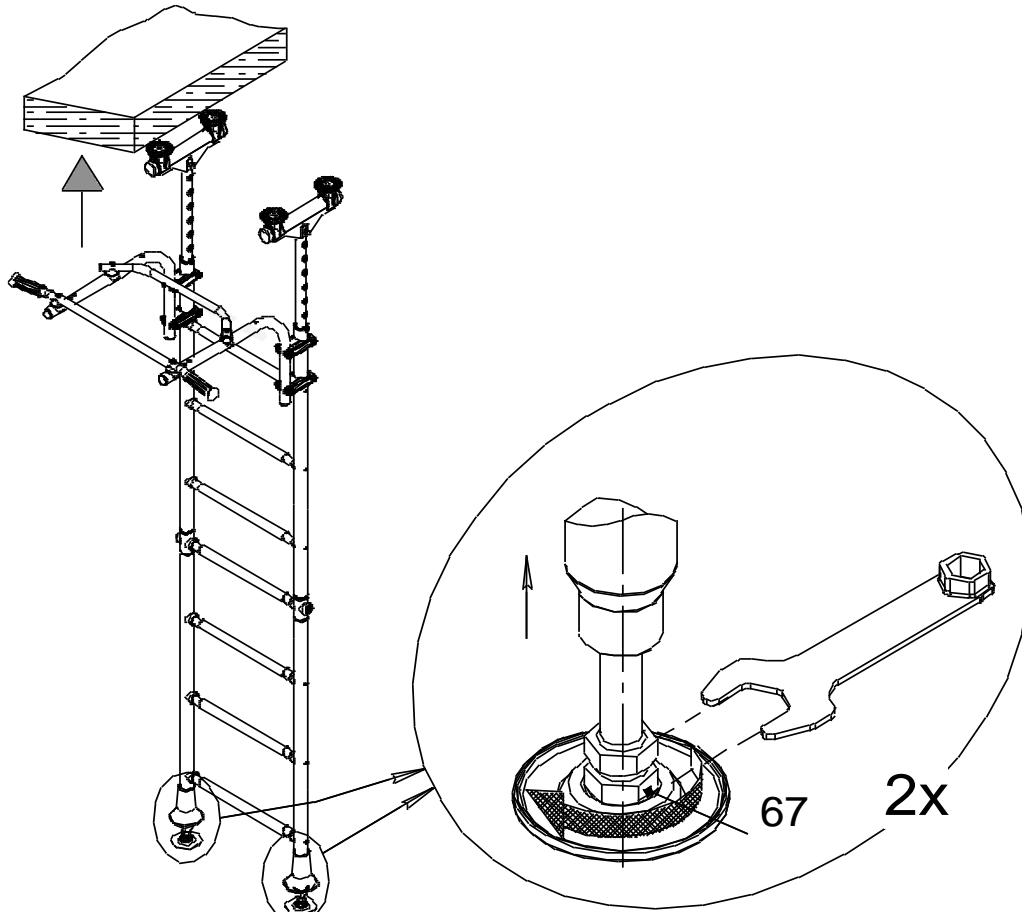
28



Thrust the SET apart by screwing out the bolts (pos. 67).

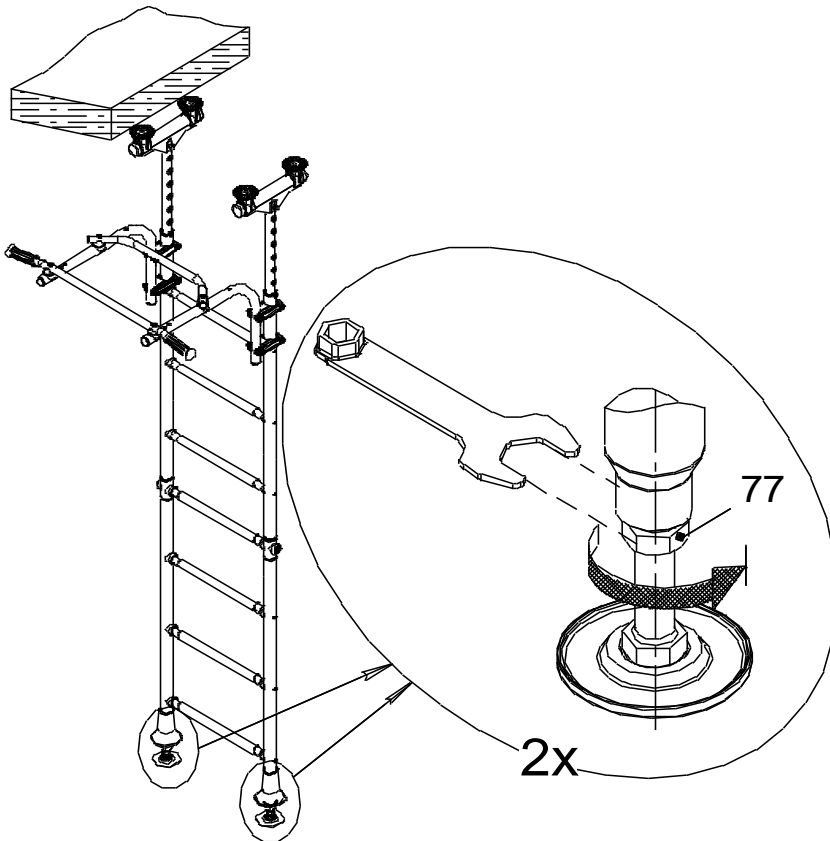
If you install the SET on wooden, parquet, etc. floors, it is recommended to use an additional 0,6in...0,8in thick plywood sheet. The sheet dimensions should be determined at the place (the sheet should lie on at least two lags).

29

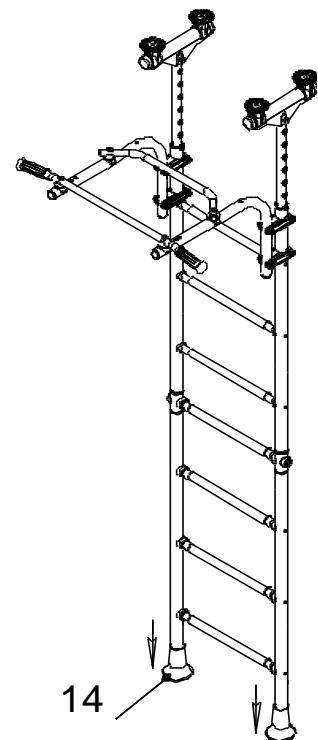


After touching all upper supports to the ceiling you must perform 1-3 turns of the bolts (pos. 67).

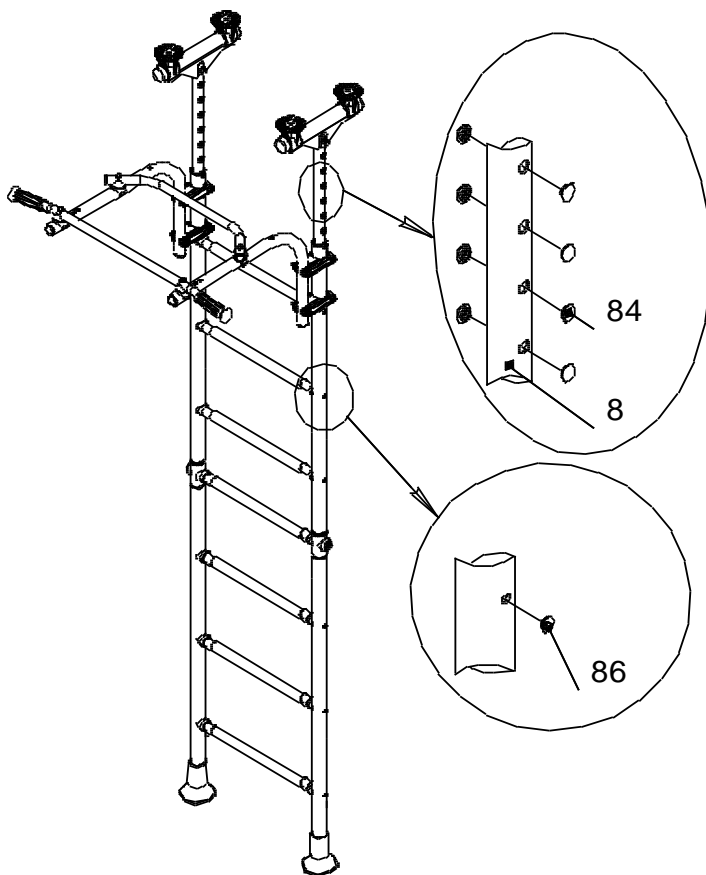
30



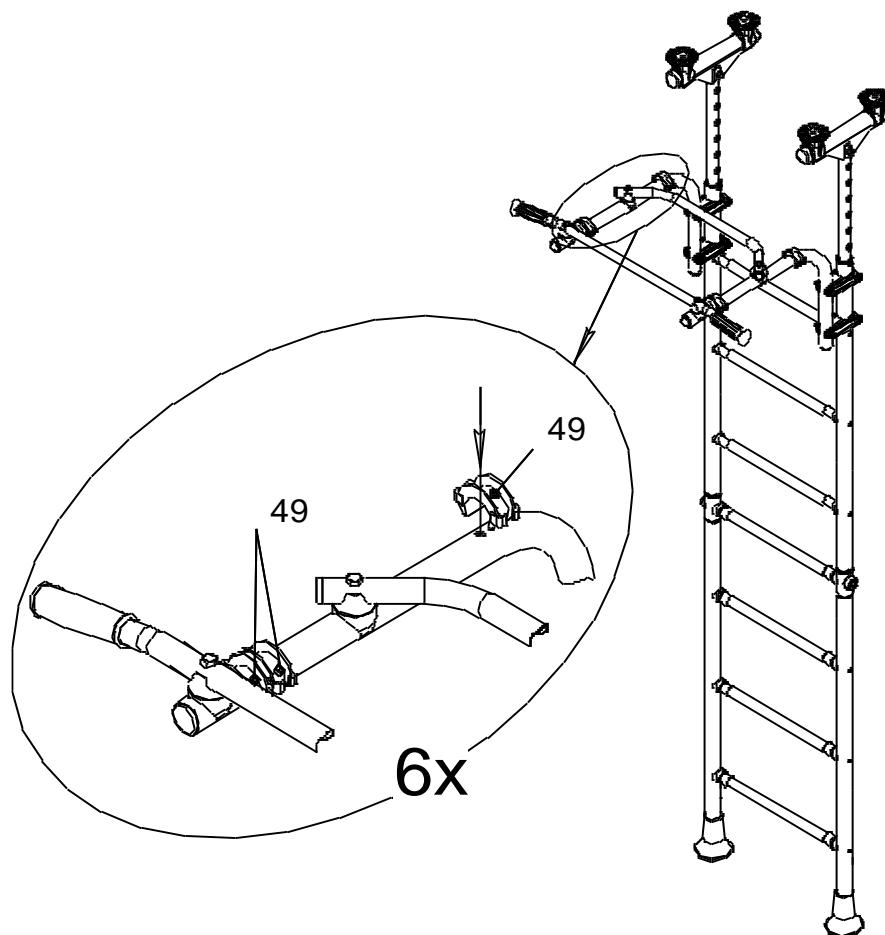
31



32

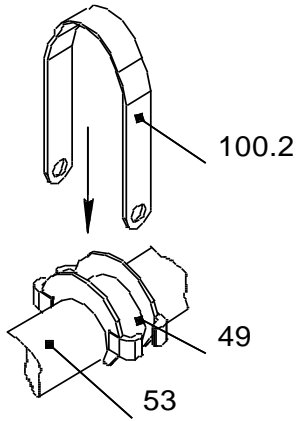


33

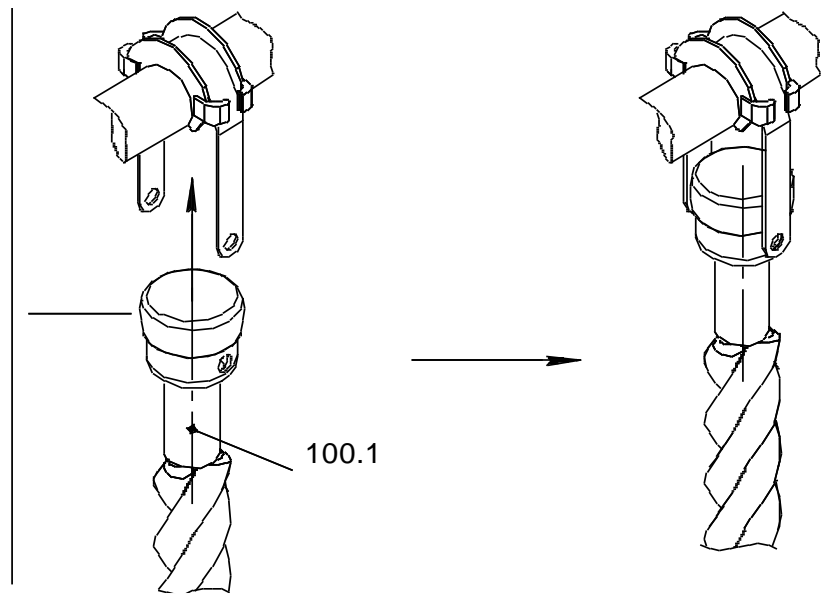


A different assembly sequence is allowed.

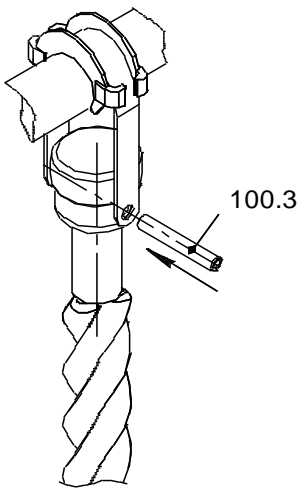
34



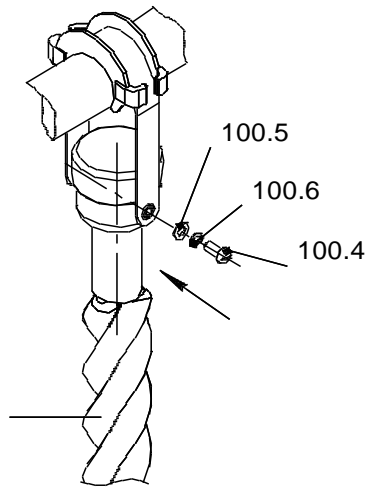
35



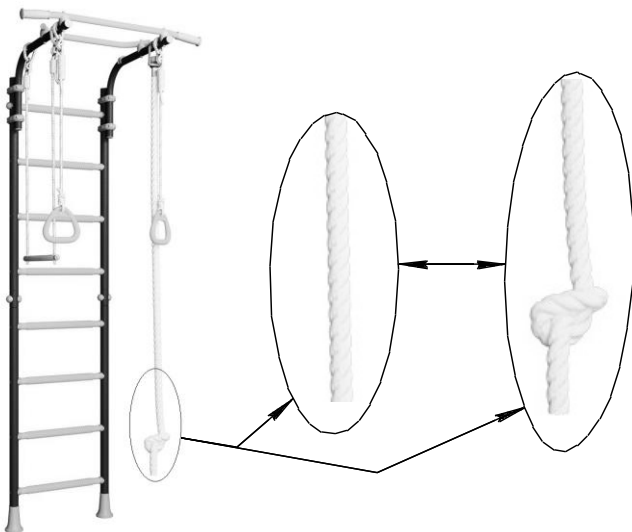
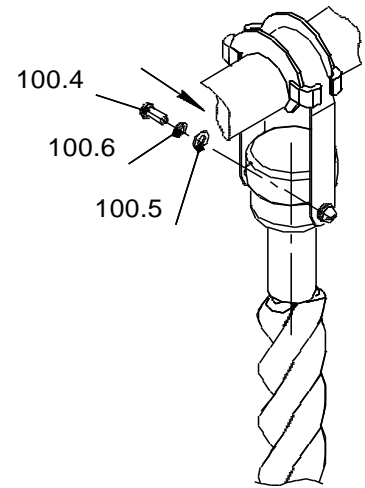
36



37

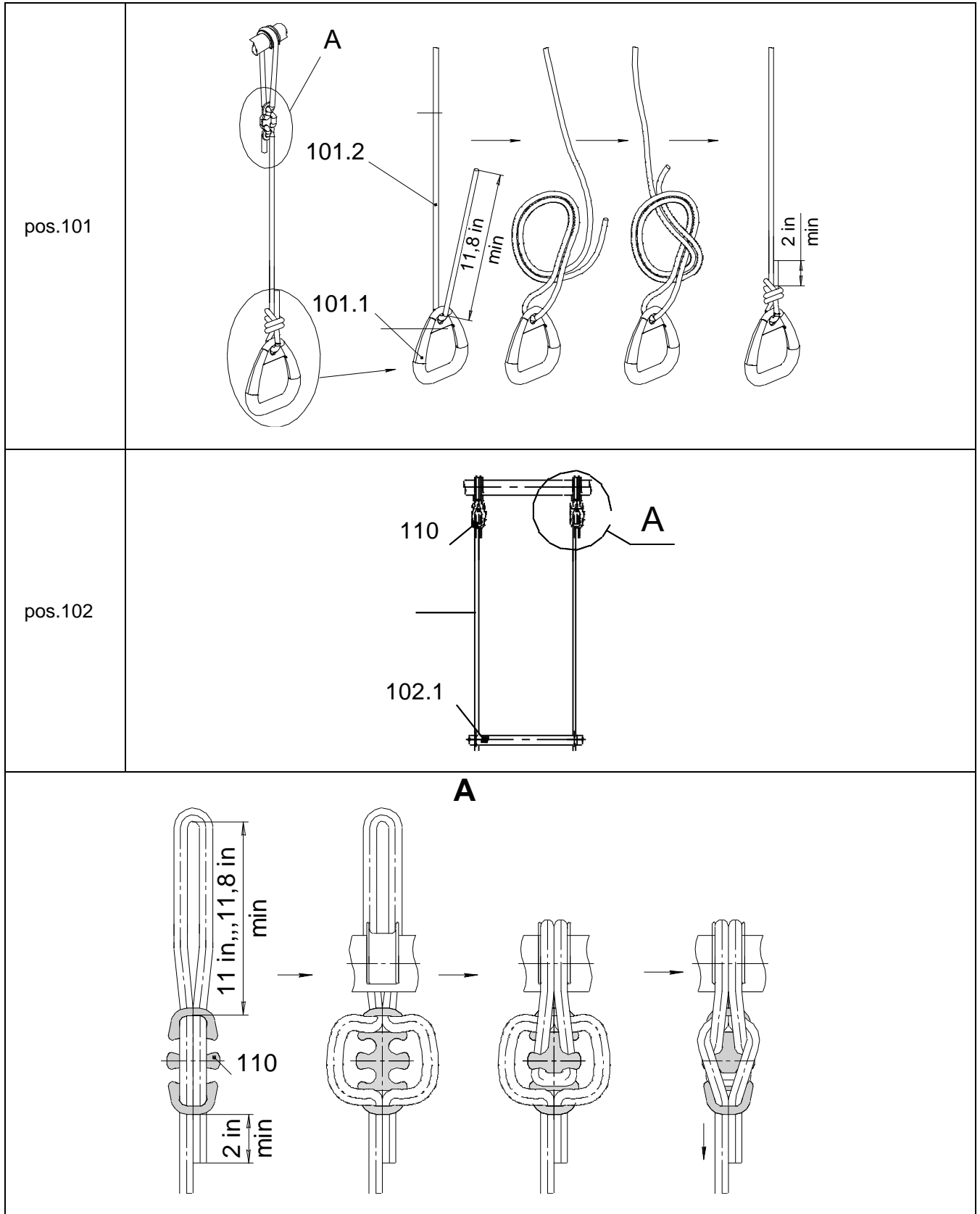


38



The rope should be used according to its intended purpose. Do not twist or untie strands against braiding.

39; 40



Mounting quality control.

- Using the plummet make sure that the ladder is placed vertically in relation to the floor. In case of deviations, loosen the bolts (pos. 67), make sure the ladder is placed vertically (using the plummet) and fix the stanchions between the floor and the ceiling.
- Test the SET by means of applying loads (165 lb min) to the bars. Make sure that the SET is steadily installed. When there are gaps between the ceiling and the upper supports (pos.17) you should additionally thrust the SET apart by screwing out the bolts (pos. 67) and then locking in with the nuts (pos. 77).