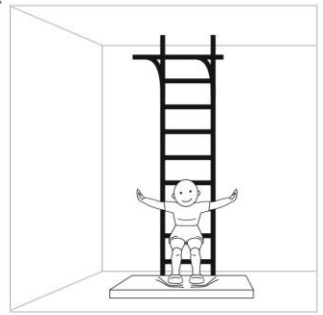
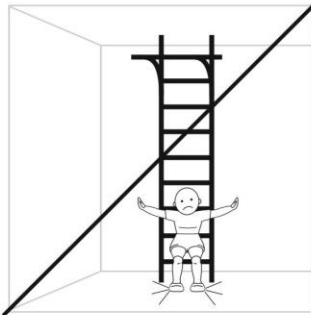
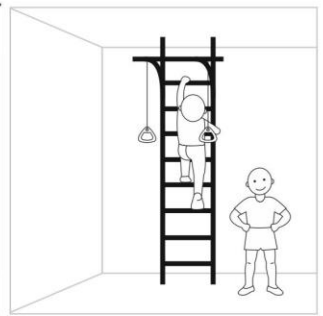
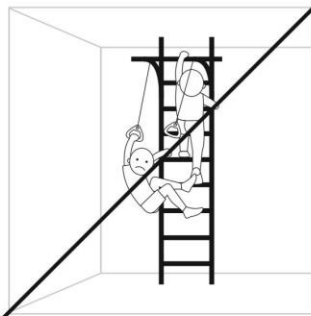
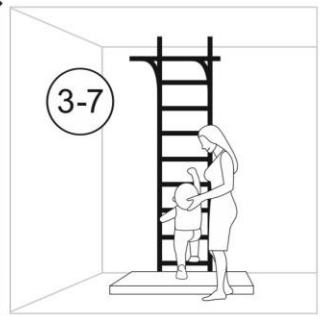
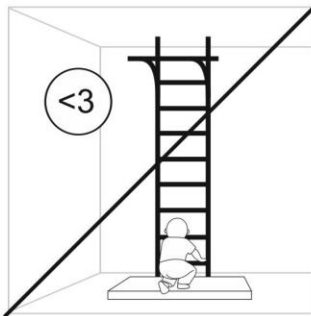
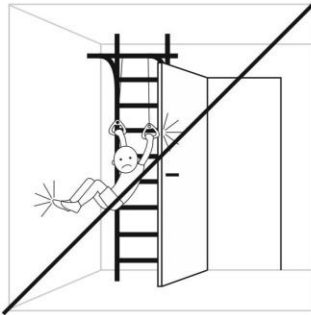
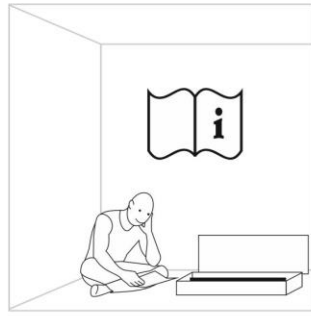
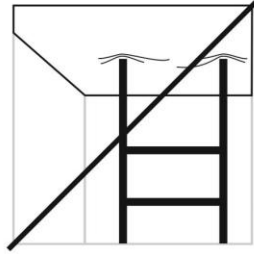
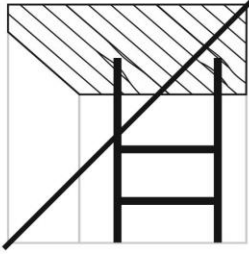
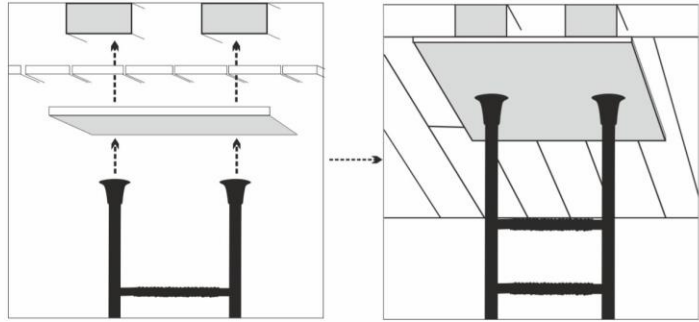
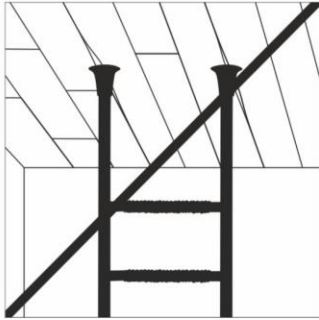


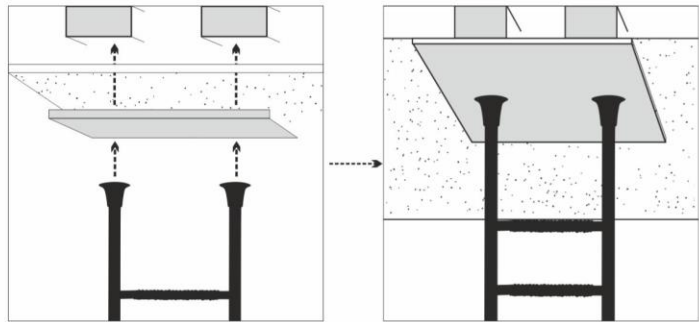
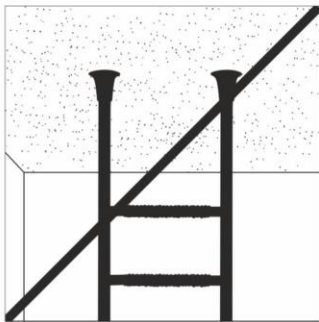
# R4



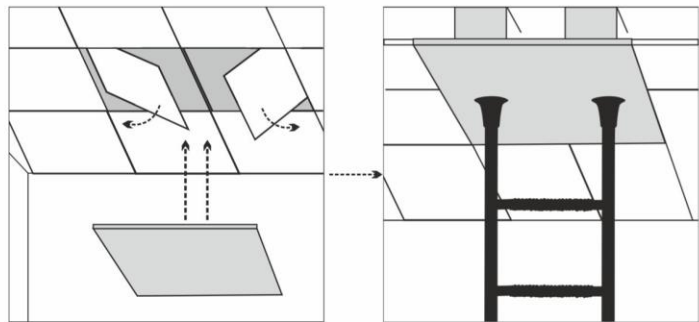
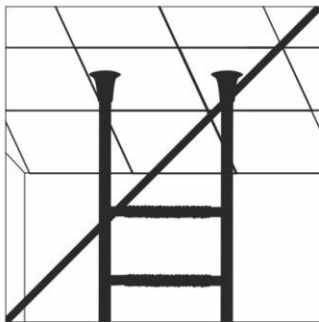




Wooden ceiling



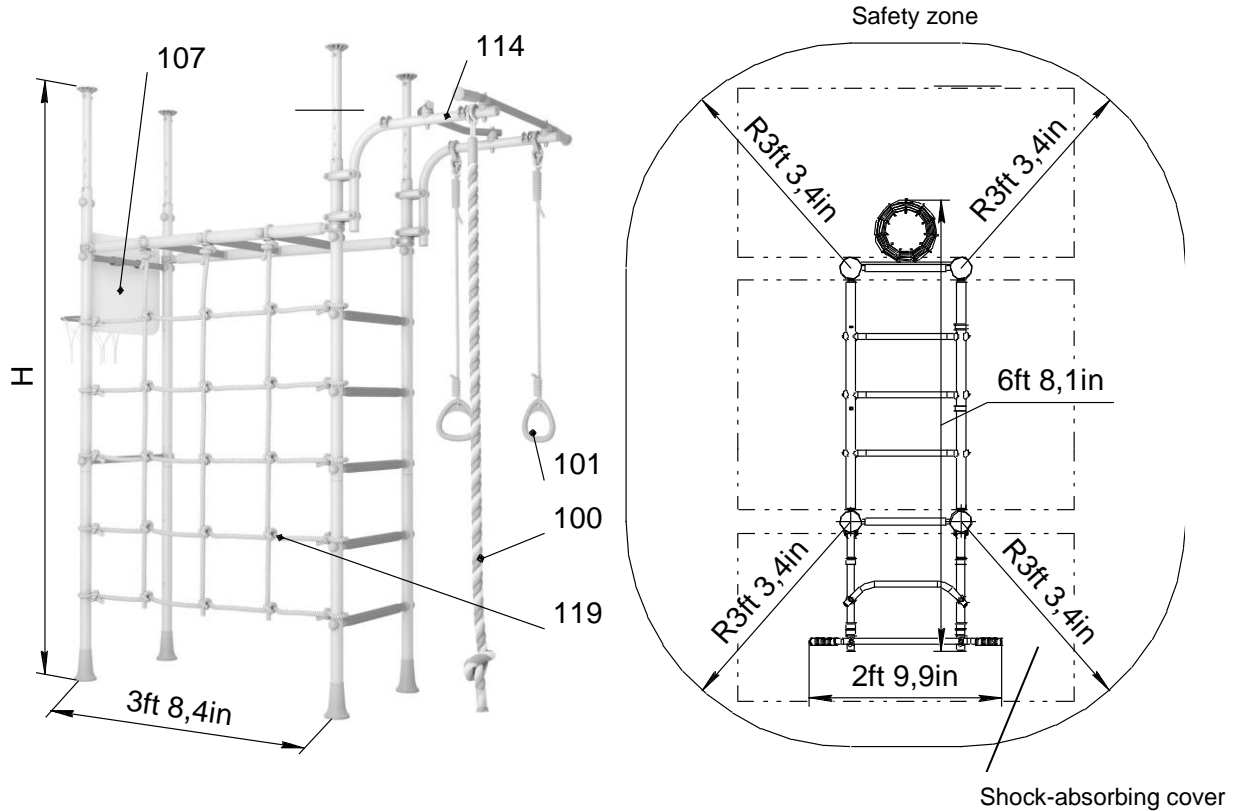
Drywall ceiling



Suspended ceiling


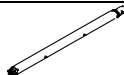

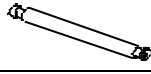
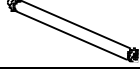

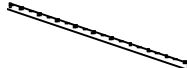
## MOUNTING GUIDE 01.40.6.06.490.03.00-66










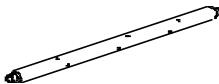




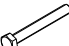






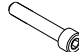


Overall dimensions	length	6ft 8,1in
	width	2ft 9,9in
	Height	6ft 4,8in .... 8ft 3,2in
Gross weight, lb, max		96,8
Maximum user's weight, lb (except accessories)		220
Maximum working load on accessories, lb		110
Premises height:		
H min		6ft 4,8in
H max		8ft 3,2in

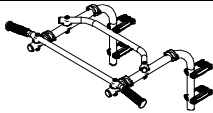






### CONFIGURATION

Table 1





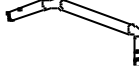







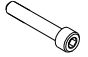
Item No.	Parts, assembly units		Quantity, pieces.	Polyethylene packet No.	Package No.
	Name Designation	Pic.			
2	Shaft DSKM 03.036.01		4	2	1
4	Lower stand 1.DSKM 058.11		4		2
5	Upper stand DSKM 01.273.02		4		2
6	Step 1.DSK-Pr.06.490.02.01		8		1
6.2	Step 1.DSK-Pr.00.490.04.01		2		1
7	Padding DSK 05.075.00		8	1	1
8	Insert with plug 1.DSK 049.04-20		4		1

9	Flat case DSK 05-011-20		24	1	1
10	Cover DSK 05-012-20		24	1	1
11	Washer DSKM 02.100.00		4	2	1
13	Plug DSK 05.027.00-20		4	1	1
14	Cap DSK 05-040-20		4		1
16	Support DSK 05.118.00-20		4	1	1
24	Support DSK 02.050.00		4	1	1
31	Yoke clamp DSK 05.120.00-20		8	1	1
34	Reel-clip DSK 05.056-20		7	1	1
36	Beam DSKM 01.259.02		2		1
42	Bracket DSKM 02.104.01		4	1	1
86	Cover DSK 05.070.00-20		15	1	1
92	Ring DSK 05.093-20		13	1	1
<b>Standard tools</b>					
62	Bolt M8x55.58.016 GOST 7798-92		2	2	1
64	Bolt M8x65.58.016 GOST 7798-92		20	2	1
67	Bolt M16x110.58.016 GOST 7798-92		4	2	1
75	Nut M8.6.016 GOST 5915-98		2	2	1
76	Nut M8 GOST 11860-85		4	2	1
77	Nut M16.6.016 GOST 5915-98		4	2	1
81	Washer 8.01.016 GOST 11371-78		28	2	1
84	Cover D10		96	1	1
93.1	Screw M8x60.58.016 GOST 11738-84		4	2	1
	Wrench S=24x13MM		1	2	1
	Hex-nut wrench S=6MM		1	2	1

114	Movable frame 1.DSKM 150.00-20 See Table 2		1		1
100	Rope 6.51.01-20 See Table 3		1		1
101	Gymnastics rings 1.D-27/00-22 Table 4		1		1
107	Basketball backboard 6.07.00 See Table 5		1		1
119	Rope net 6.57.06		1		2

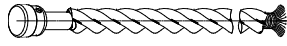

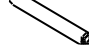



**Parts of single order of the movable frame 1.DSKM 150.00-20**

Table 2

Item No.	Name Designation	Pic.	Quantity, pieces.	Polyethylene packet No.	Package No.
26	Bar 1.DSK 039.00-20		1		1
28	Clamp DSK 05.122.00-20		8	3	1
41	Plate DSKM 02.105.01		8	3	1
49	Reel-clip DSK 05.109.00-20		6	3	1
52	Crossbar assembly 1.DSKM 066.00-20		1		1
53	Brace assembly 1.DSKM 065.03-20		2		1
54	Half-clamp 25 DSK 05.060.03-20		4	3	1
55	Half-clamp DSK 05.060.04-20		4	3	1
<b>Standard tools</b>					
65	Bolt M8x75.58.016 GOST 7798-70		4	3	1
76	Nut M8 GOST 11860-85		12	3	
81	Washer 8.04.016 GOST 11371-78		4	3	1
85	Washer 8H 65Г GOST 6402-70		8	3	1
93	Screw M8 x 55.58.016 GOST 11738-84		8	3	1




**Parts of single order of the Climbing rope 6.51.01-20**

Table 3

Item No.	Name Designation	Pic.	Quantity, pieces.	Polyethylene packet No.	Package No.
100.1	Rope assembly		1	4	1
100.2	Brace DSK 2.051.00		1	4	1
100.3	Axle DSK 03.030.00		1	4	1
100.4	Screw M5-7gx 12.56 GOST 17473-80		2	4	1
100.5	Washer 5.01.016 GOST 11371-78		2	4	1
100.6	Washer 5.65Г GOST 6402-70		2	4	1

**Parts of single order of the gymnastics rings 1.D-27.00-22**

Table 4

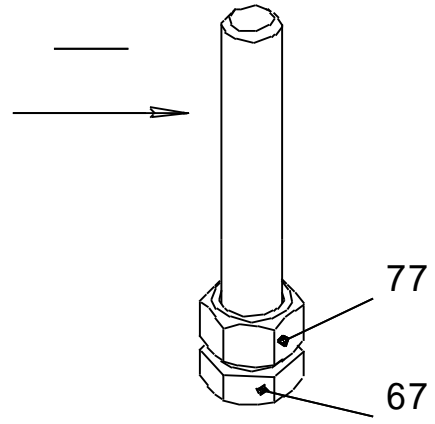
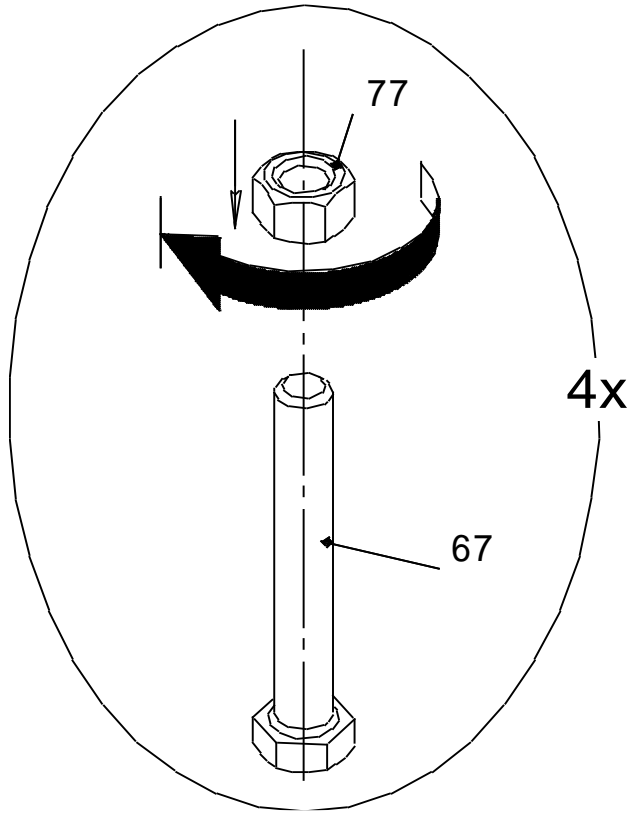
Item No.	Name Designation	Pic.	Quantity, pieces.	Polyethylene packet No.	Package No.
101.1	Ring DSK 05.119.00-20		2	5	1
101.2	Rope 1.-27.00.001-03		2	5	1
110	Holder DSK 02-009-01		2	5	1

**Configuration of the Basketball backboard 6.07.00**

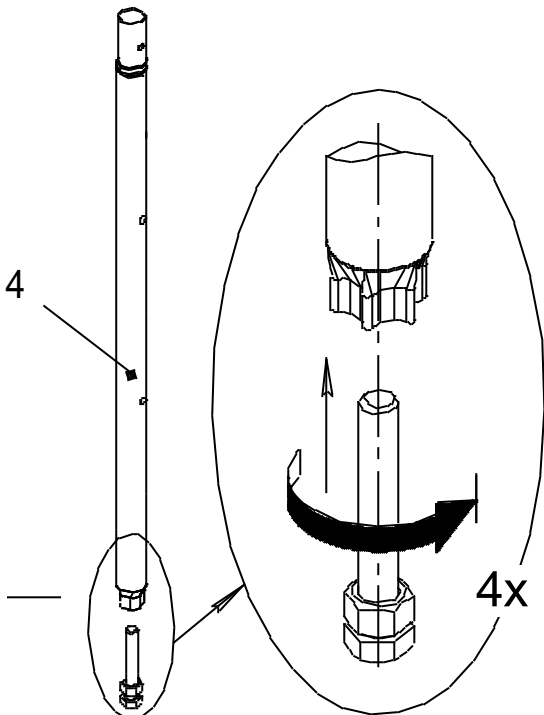
Table 5

Item №	Name Designation	Quantity, pcs.	Polyethylene packet No.	Package No.
107.1	Backboard assembly with contact ribbons	1	6	1
107.2	Basketball hoop with net	1	6	1
107.3	DSK 05.113.00-20 Plate	1	6	1
107.4	Buckle frame	1	6	1
107.5	Buckle screw	1	6	1

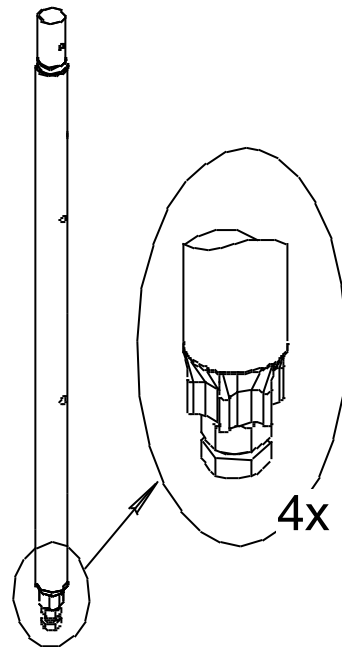
1



2

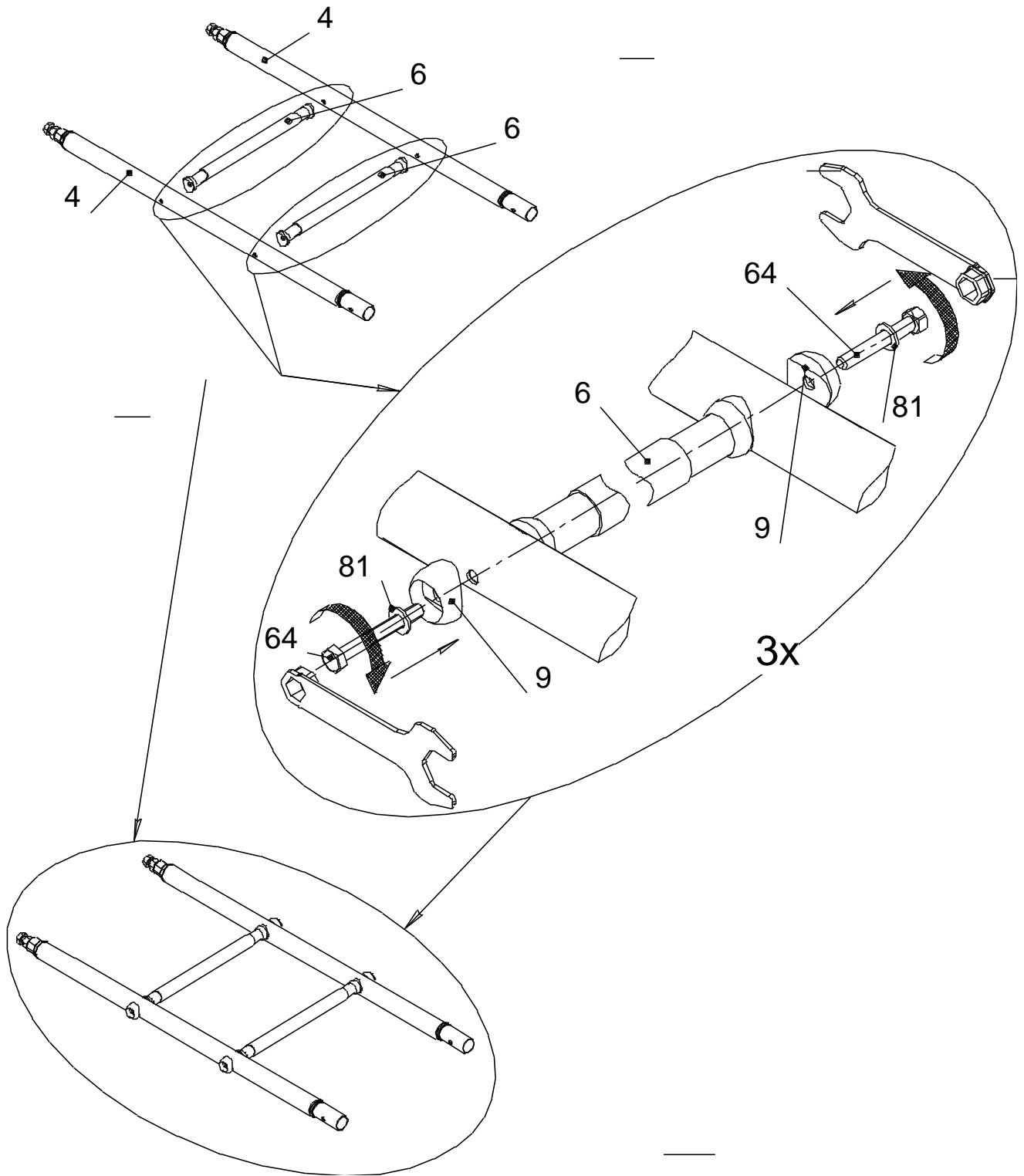


3



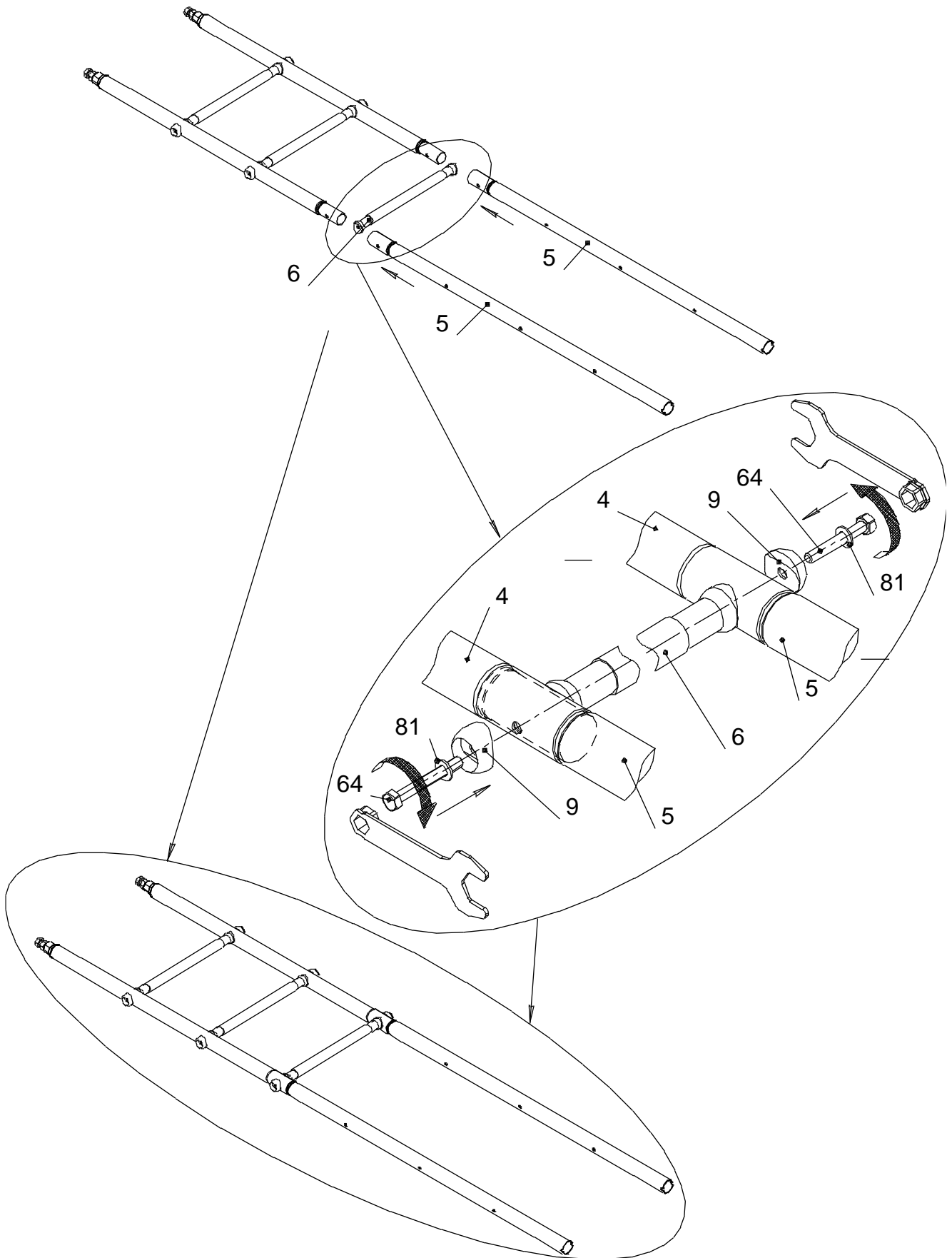


4

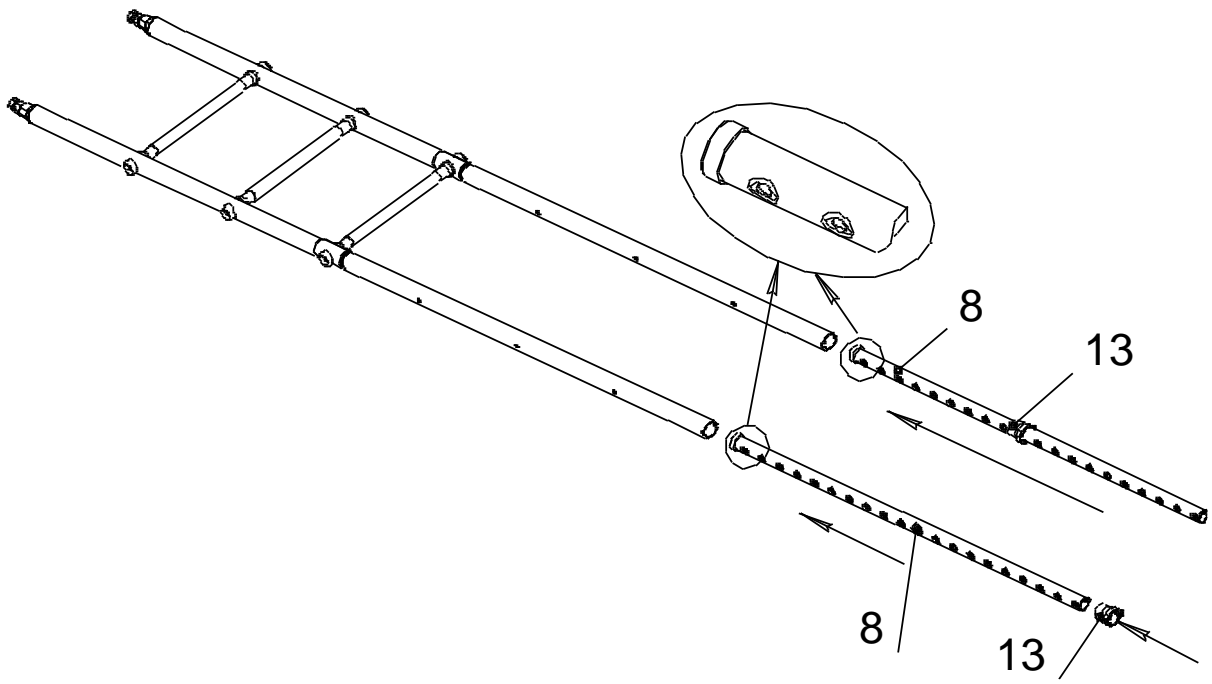


**Do not overtighten the Bolt (pos.64)!**

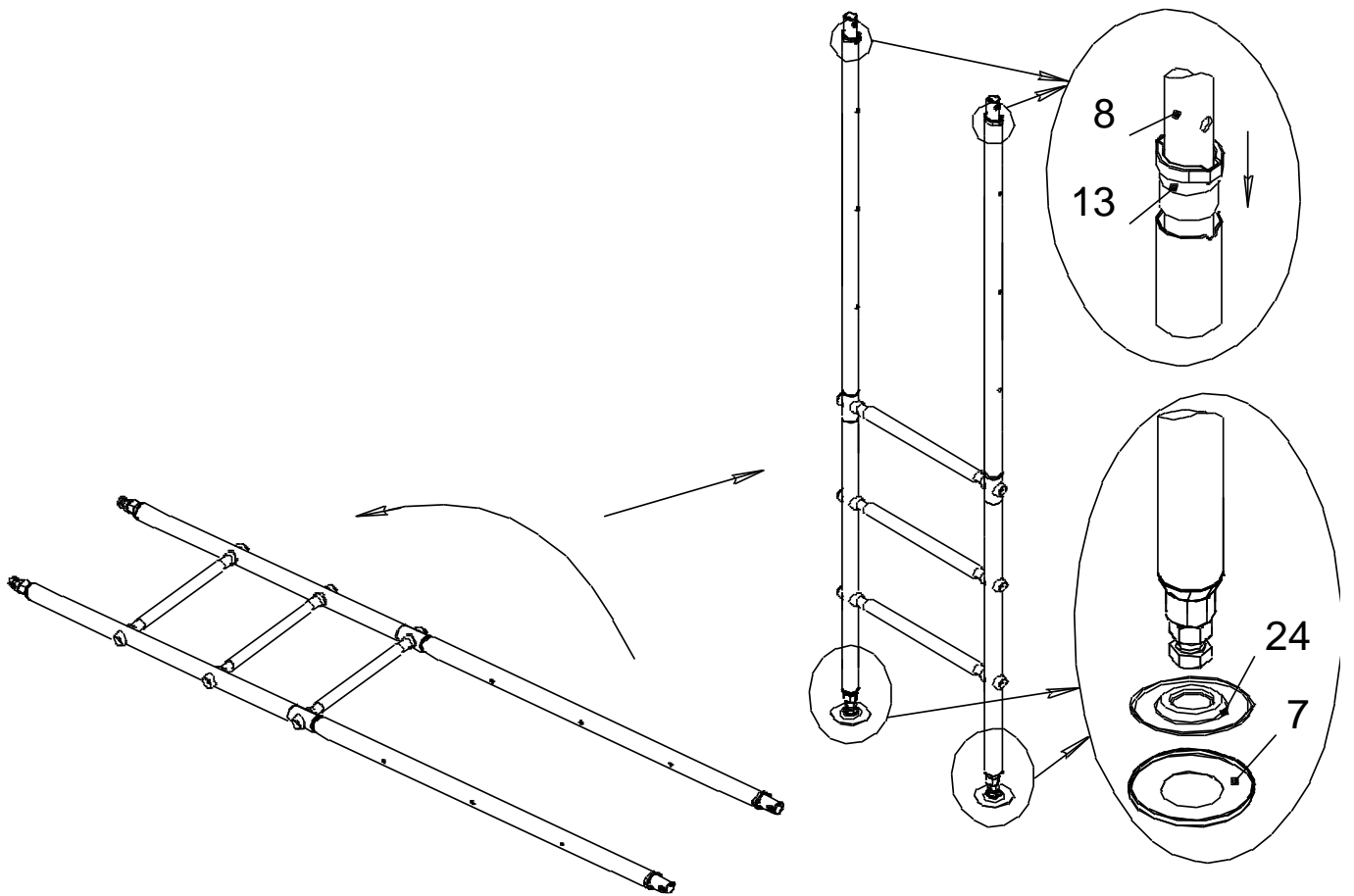
5



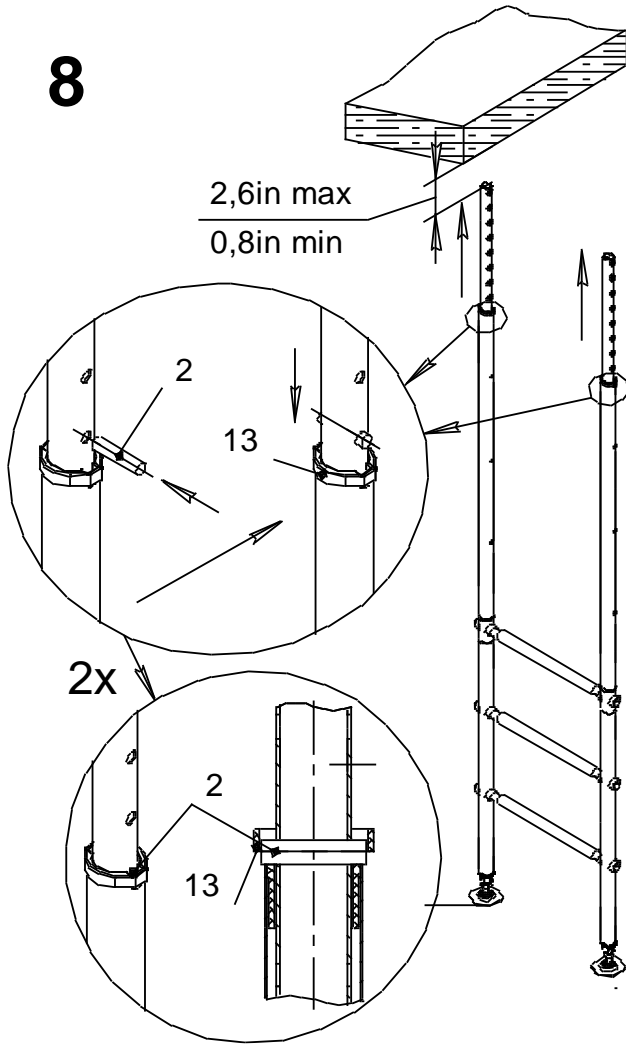
6



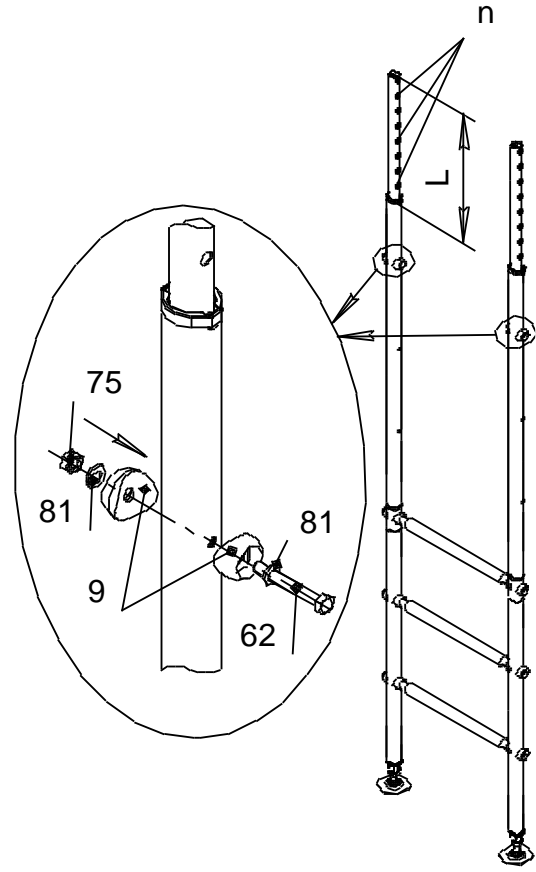
7



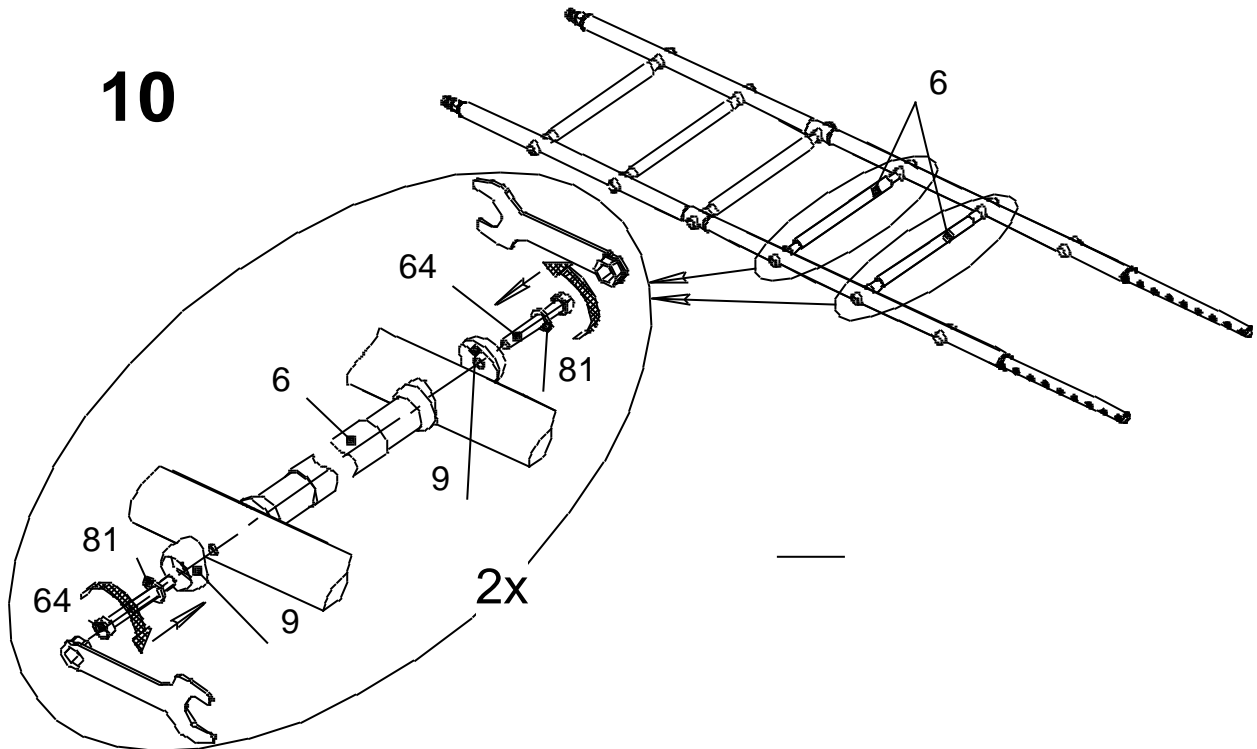
8



9



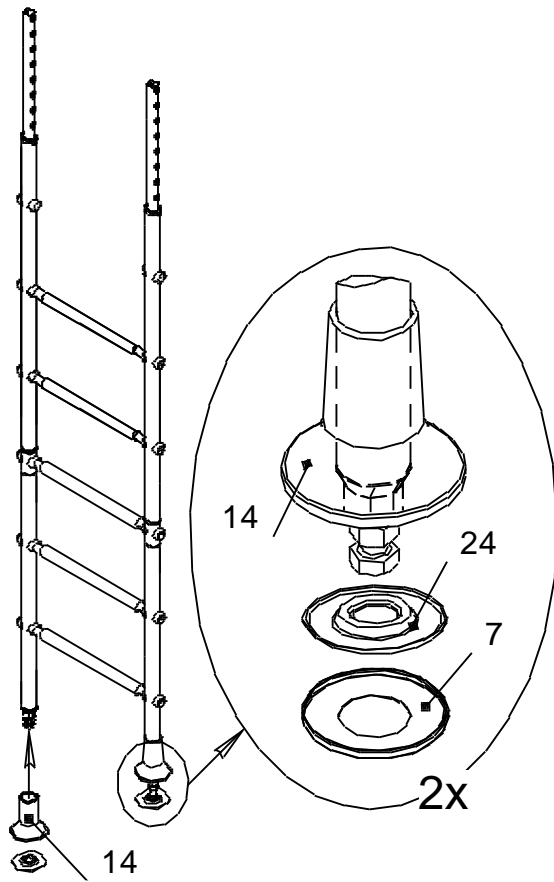
10



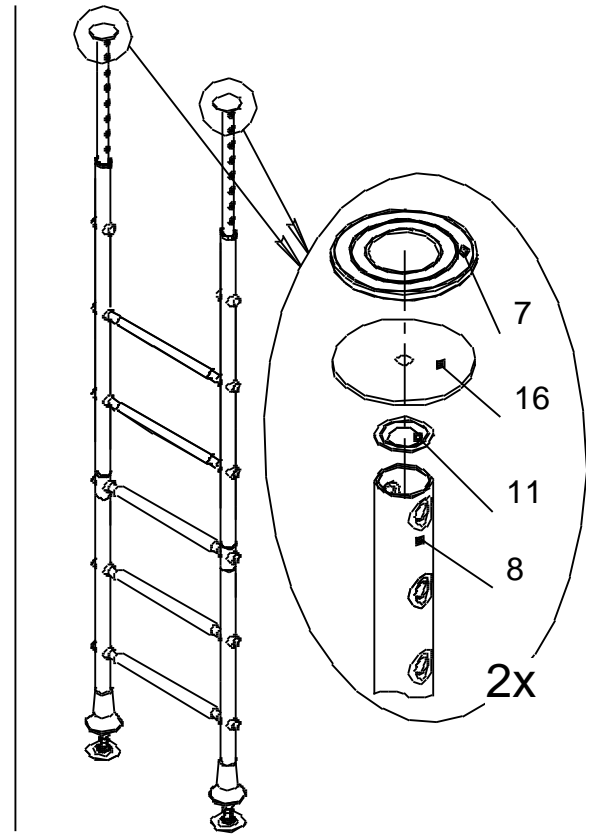
11

Fix all steps, **Tighten the screws and bolts completely (pos 64.)**

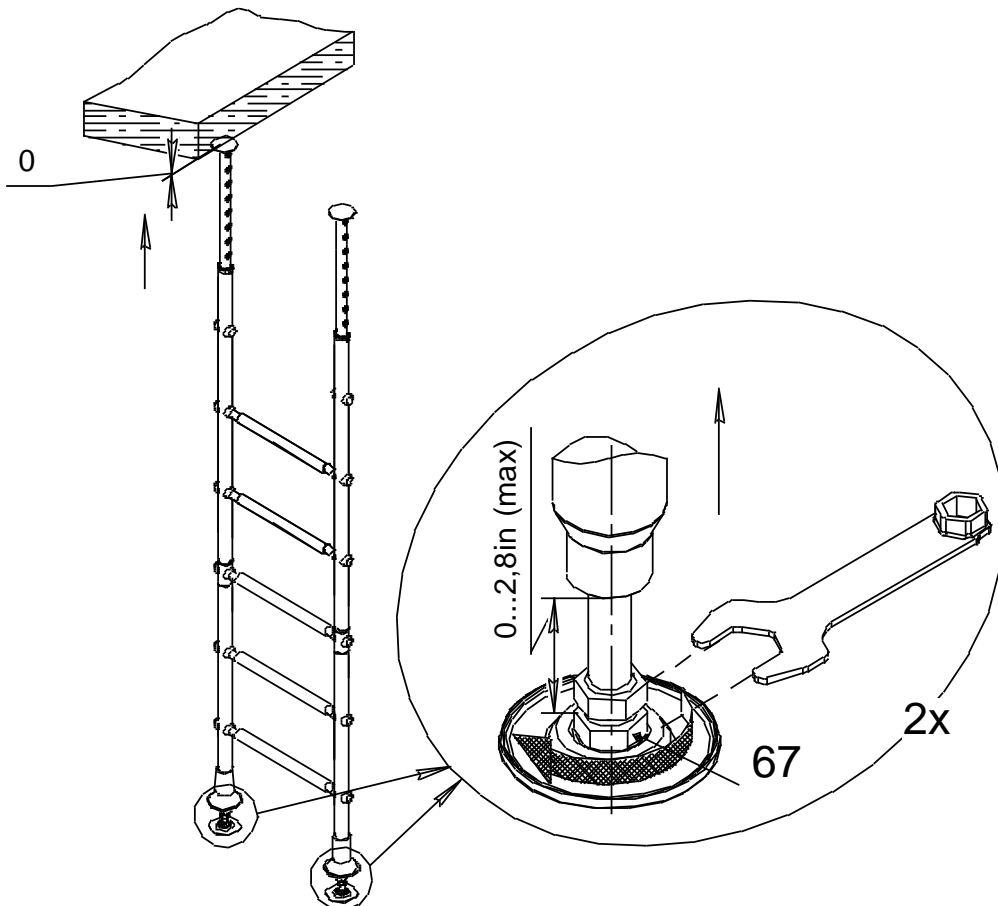
# 12



# 13

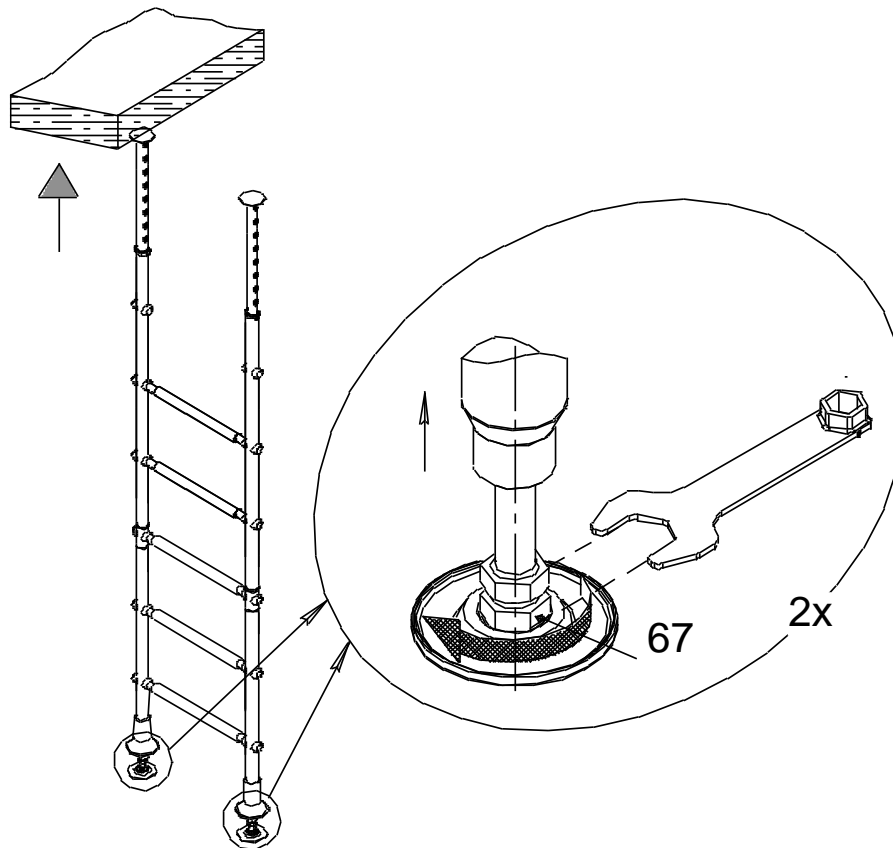


# 14



Open the Complex by unscrewing the bolts POS.67.

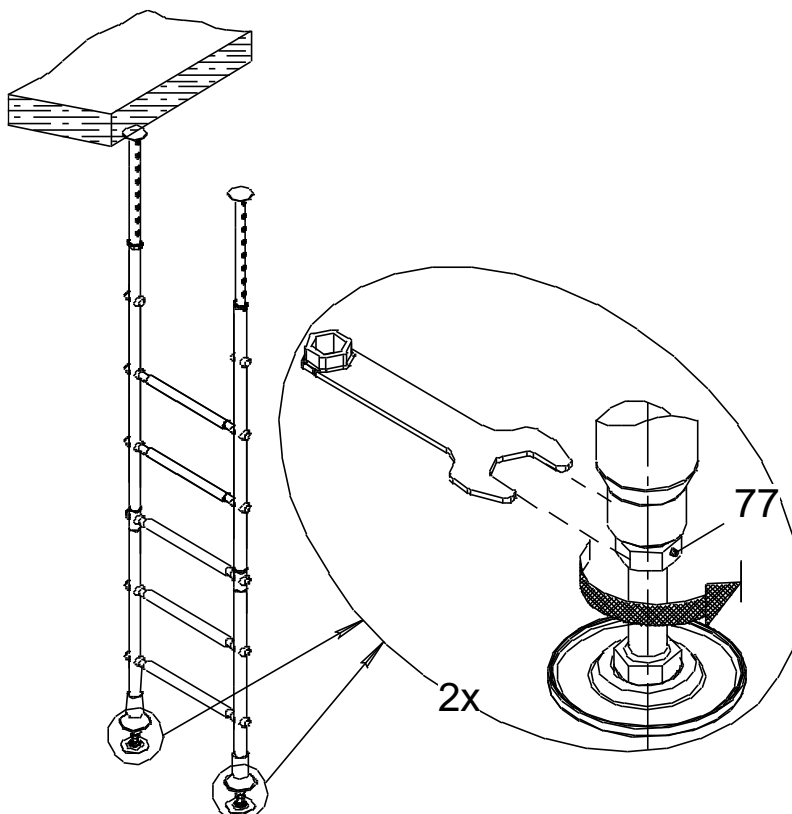
# 15



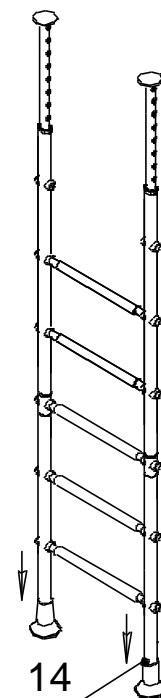
After touching all the upper supports with the ceiling, perform 1-3 turns of the bolts POS.67

If you install the SET on wooden, parquet, etc. floors, it is recommended to use an additional 16...20 mm thick plywood sheet. The sheet dimensions should be determined at the place (the sheet should lie on at least two lags).

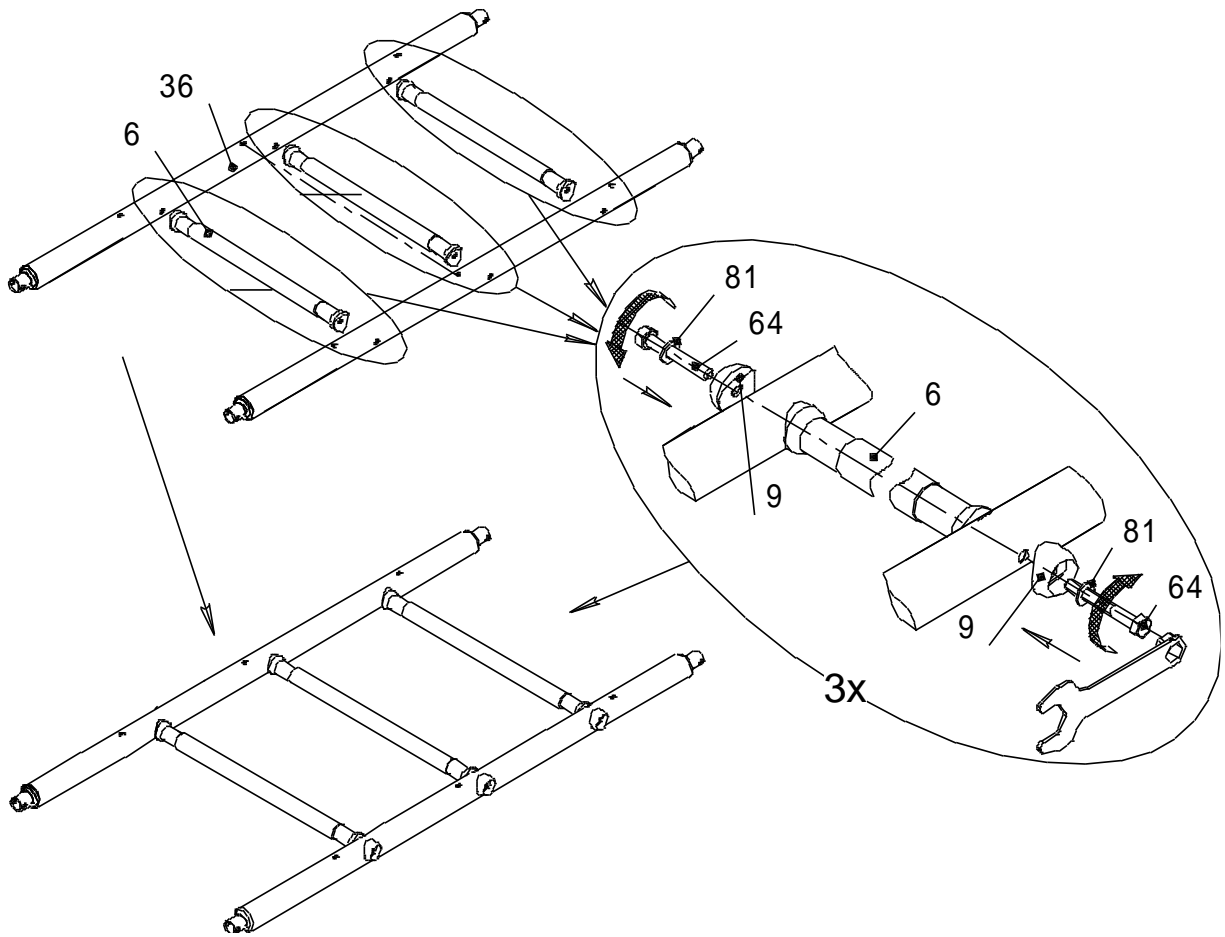
# 16



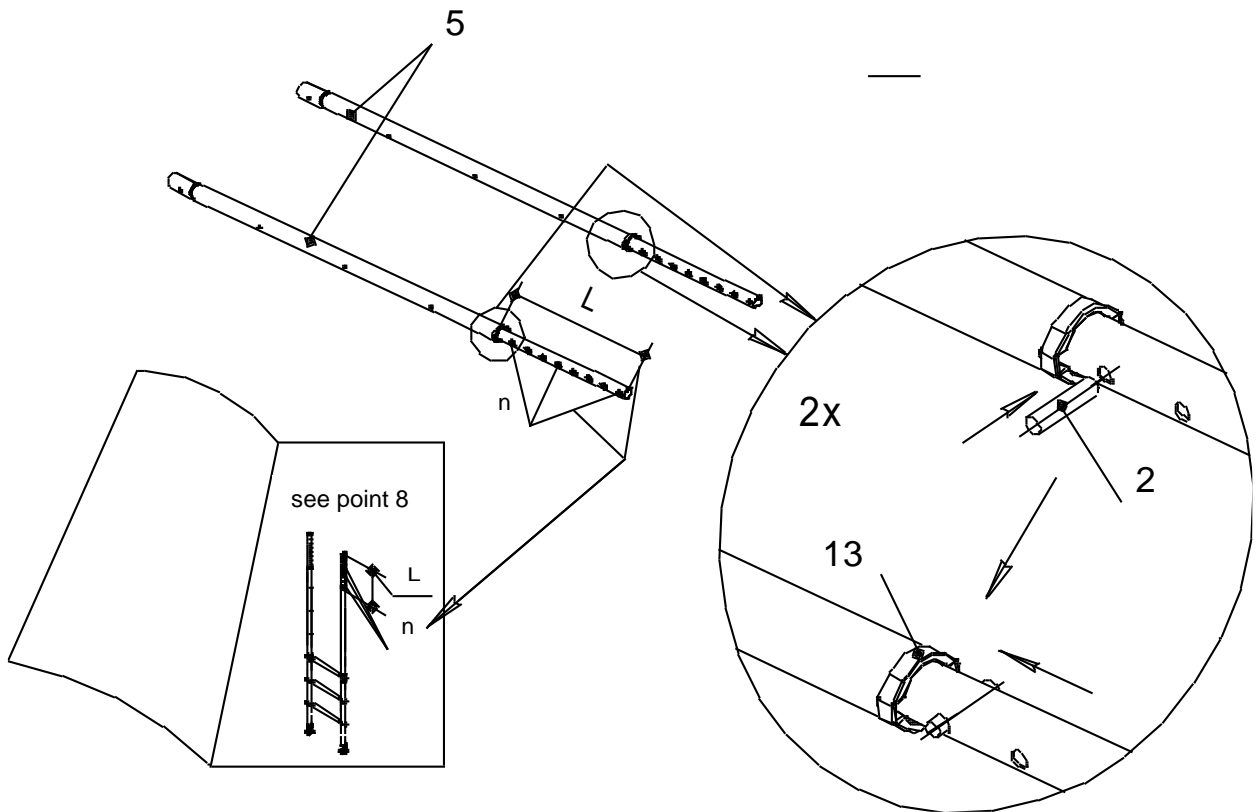
# 17



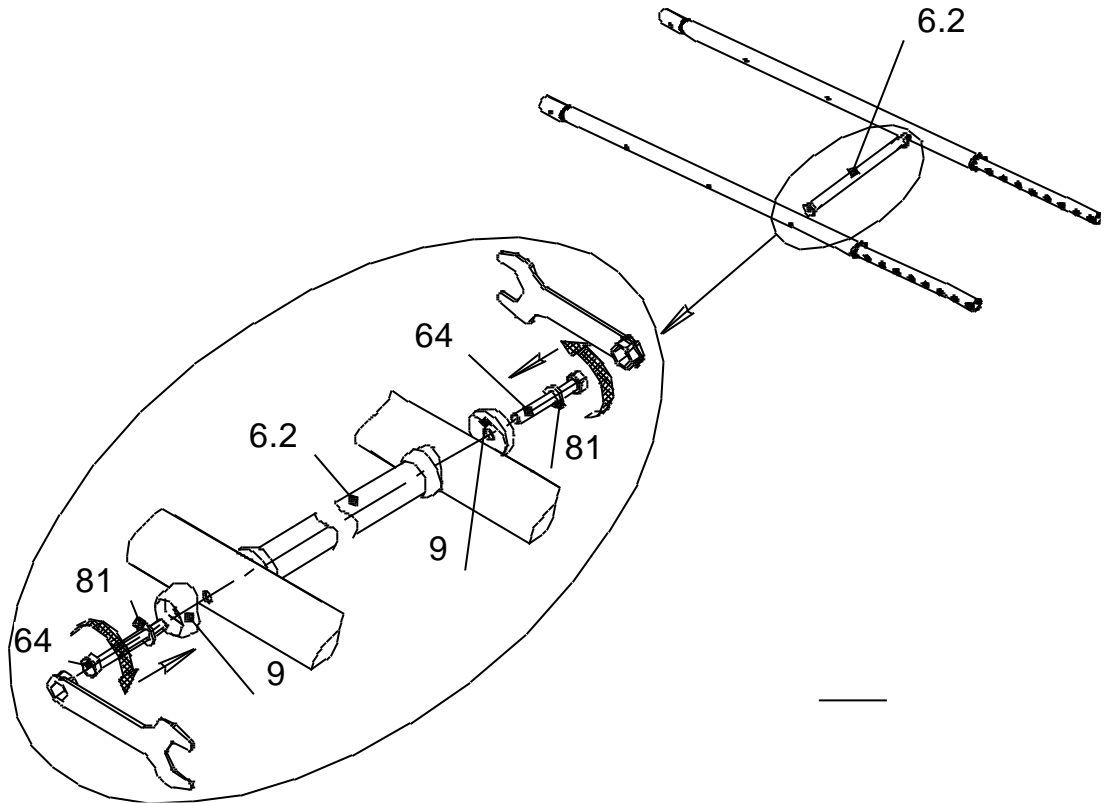
# 18



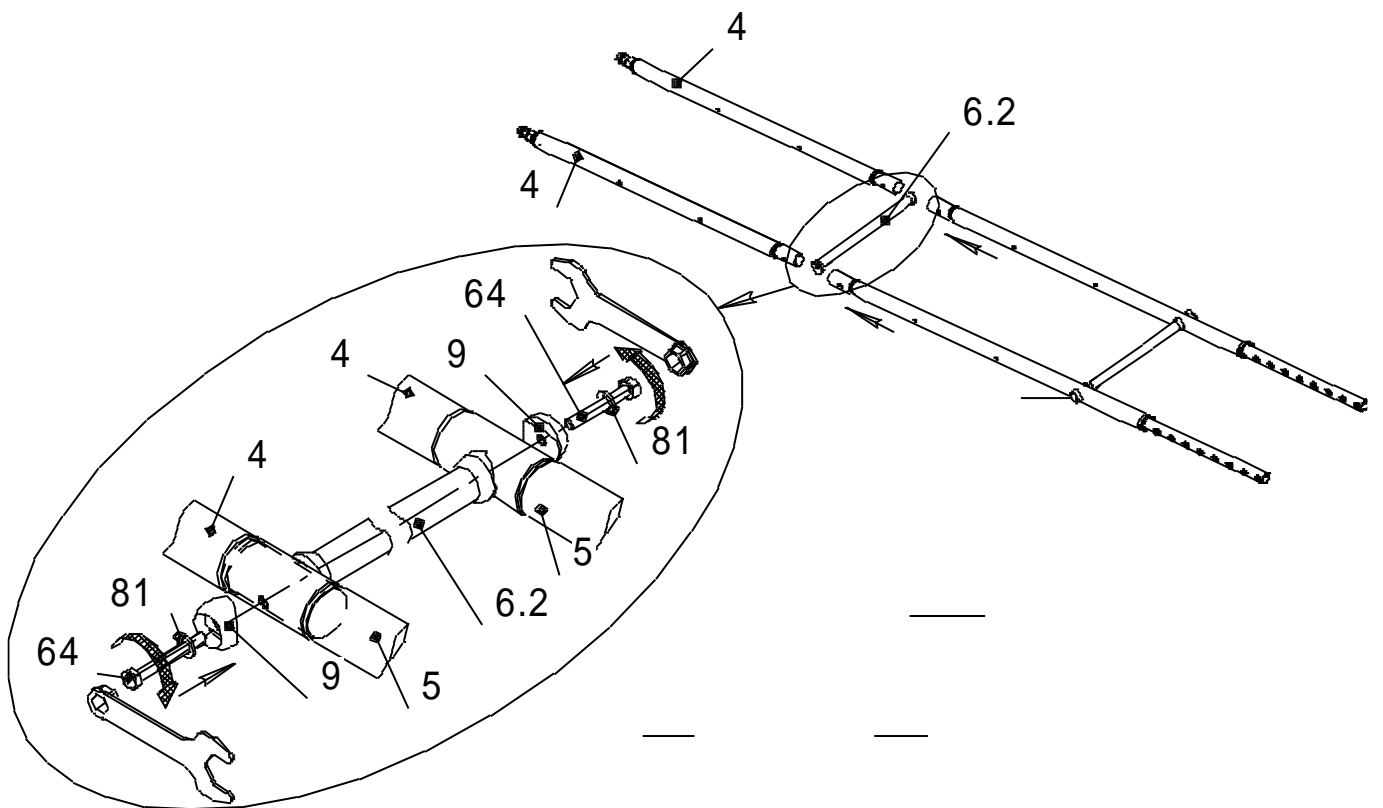
# 19



# 20

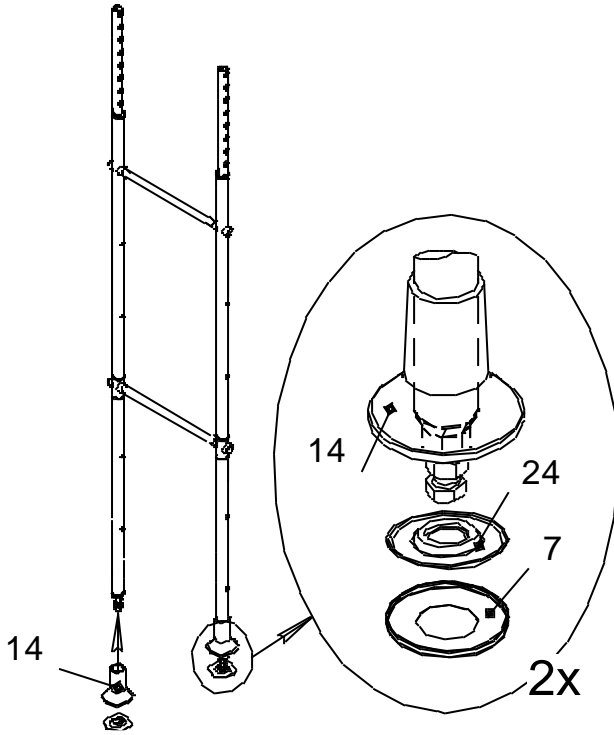


# 21

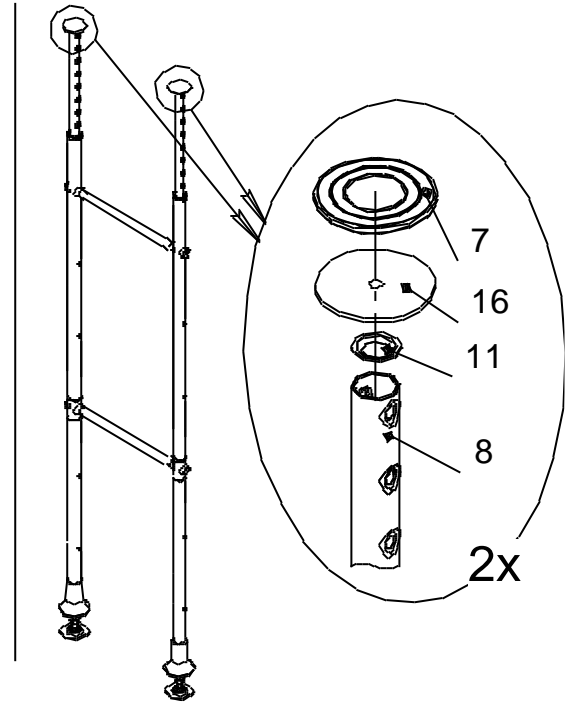




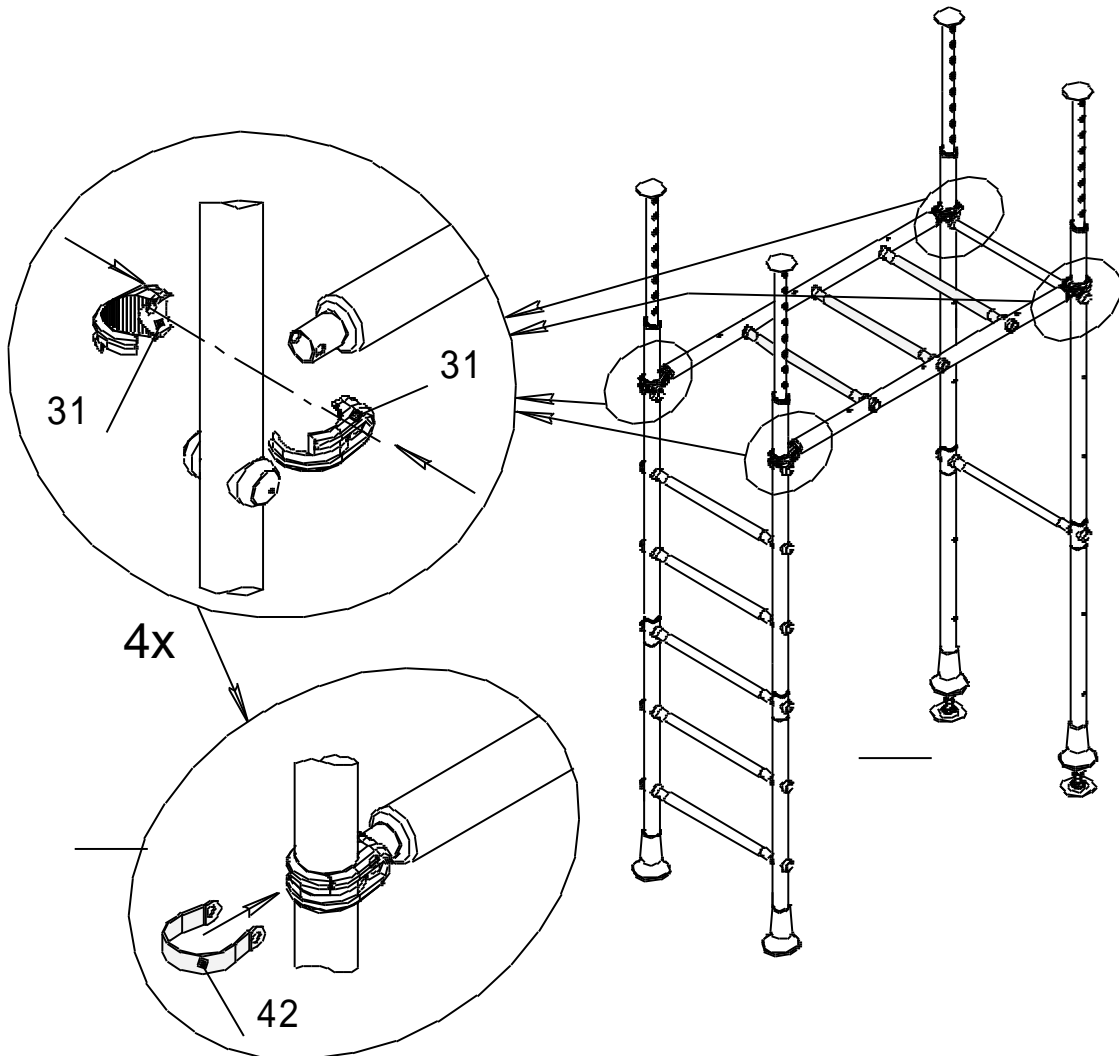
22



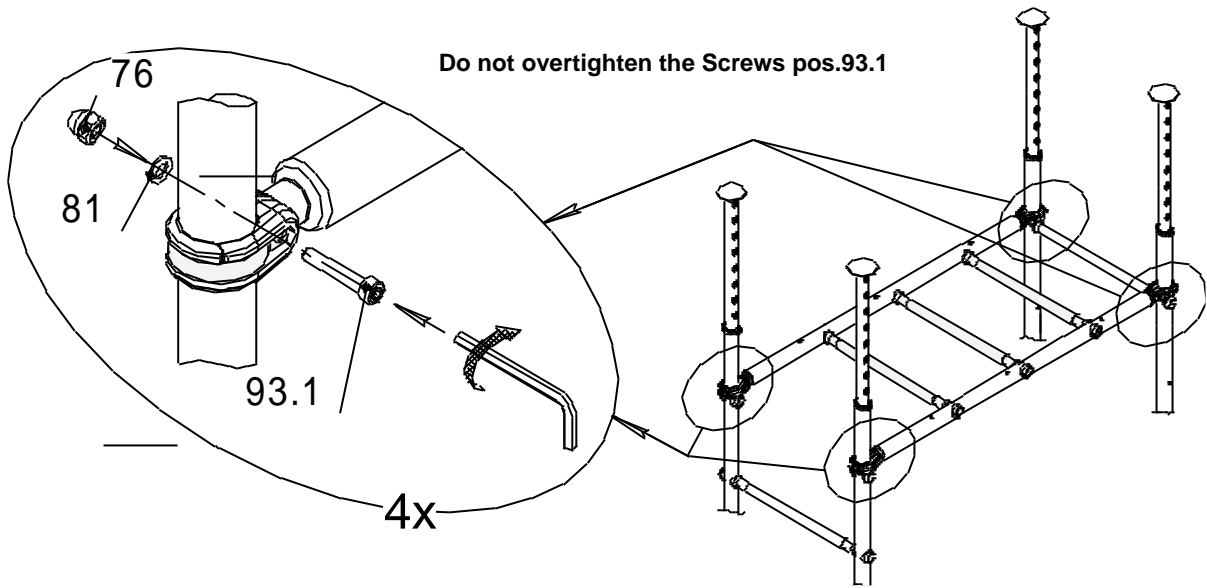
23



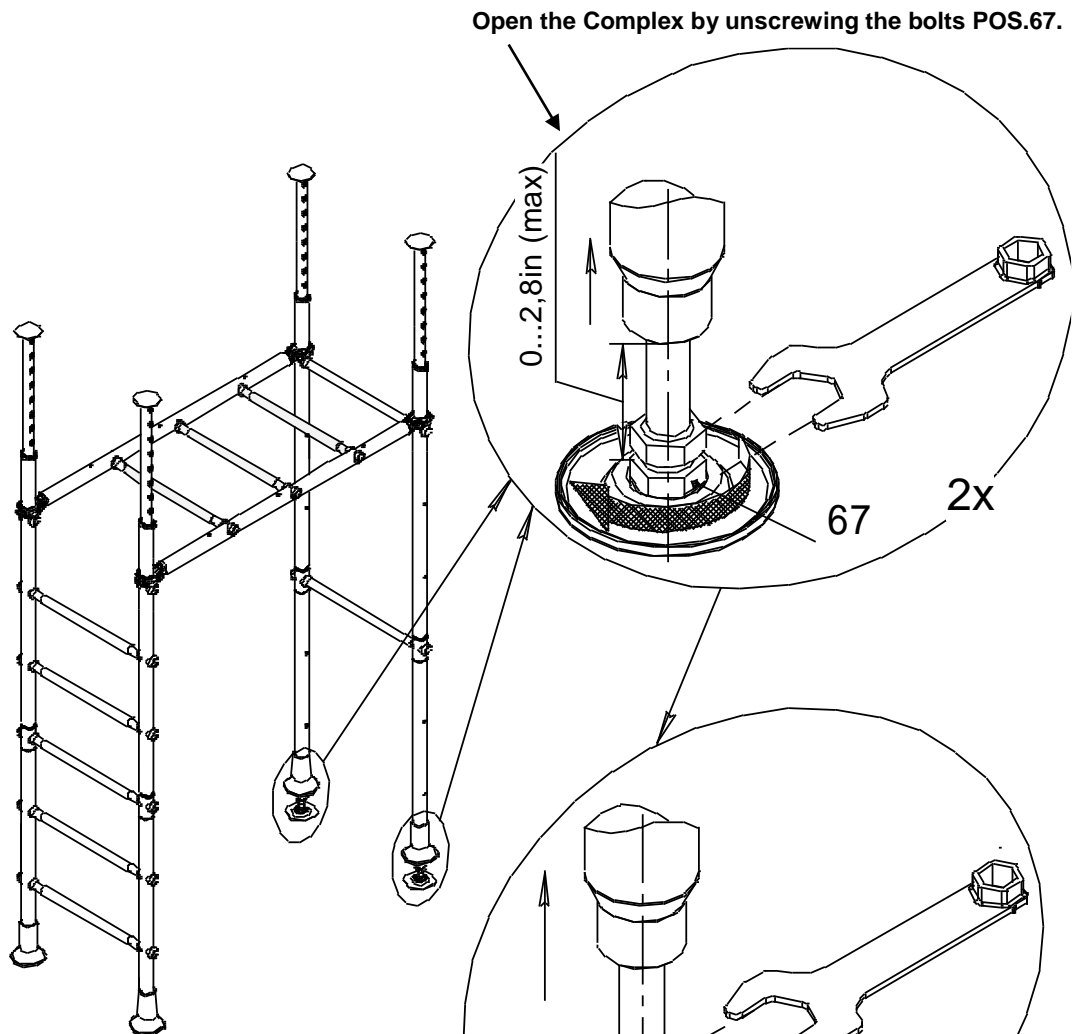
24



# 25

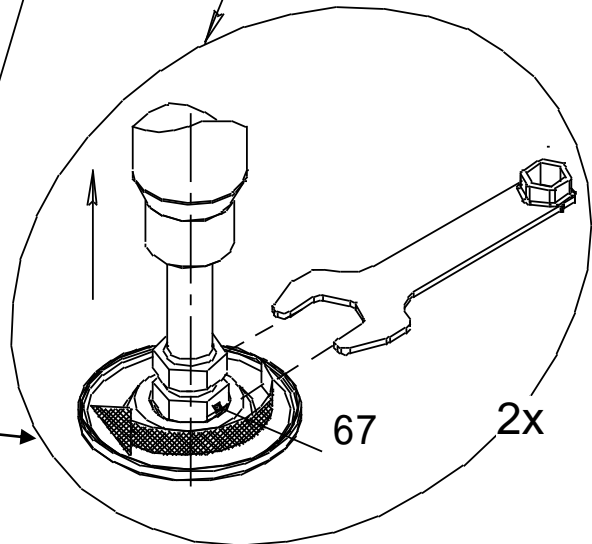


# 26

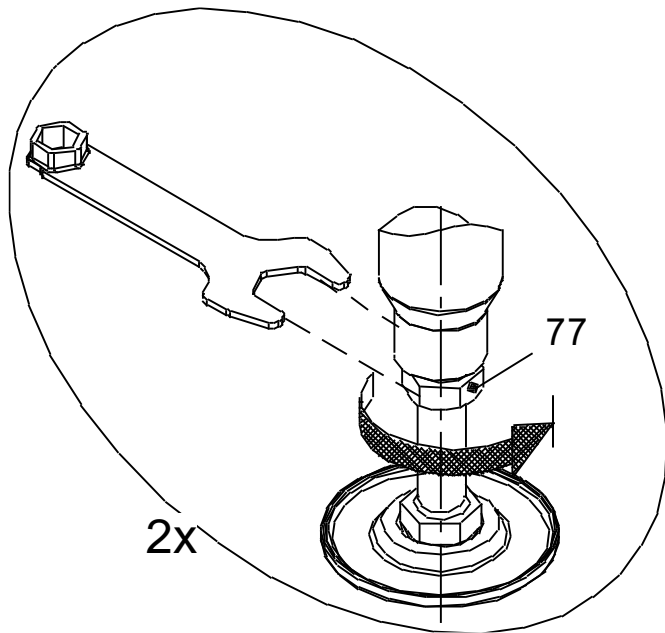


# 27

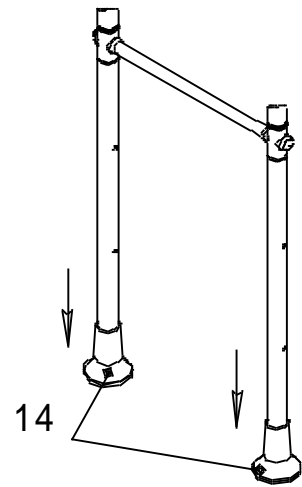
After touching all the upper supports with the ceiling, perform 1-3 turns of the bolts POS.67



# 28

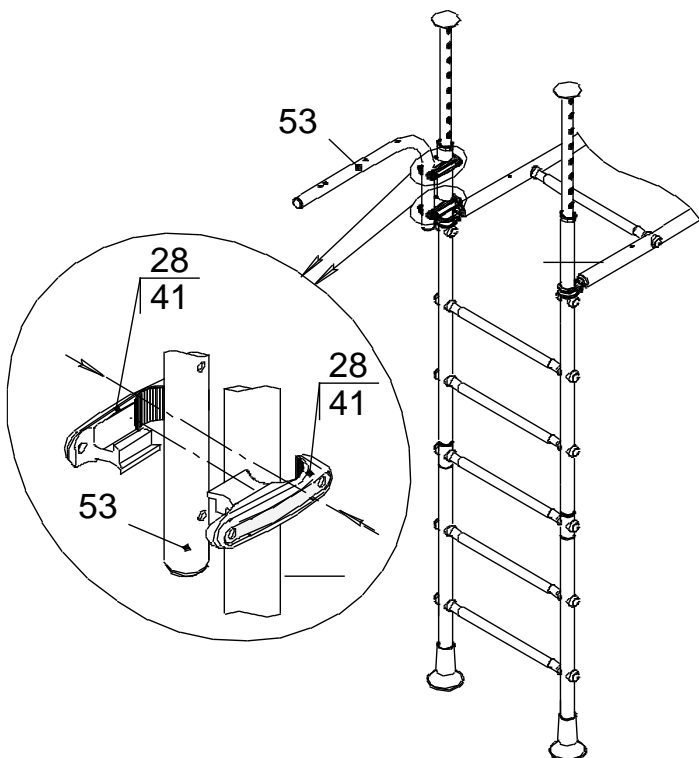


# 29

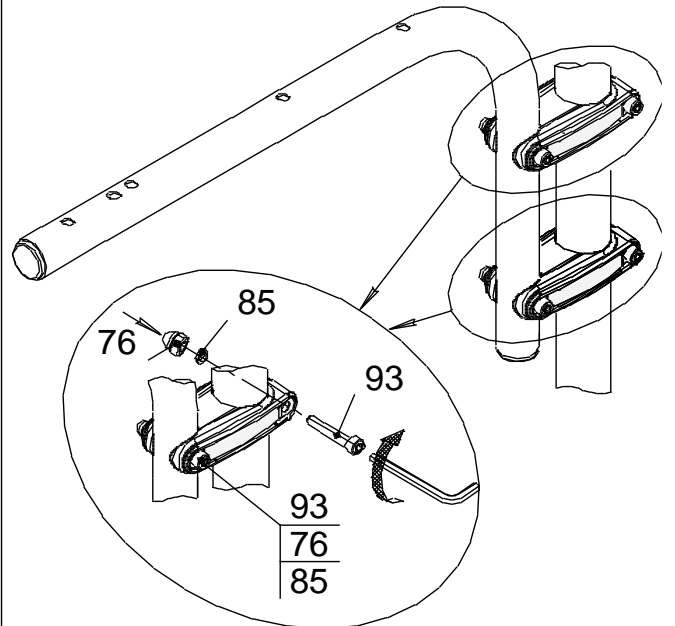


**30** Fix monkey bars, Tighten the screws completely (pos 93.1).

# 31



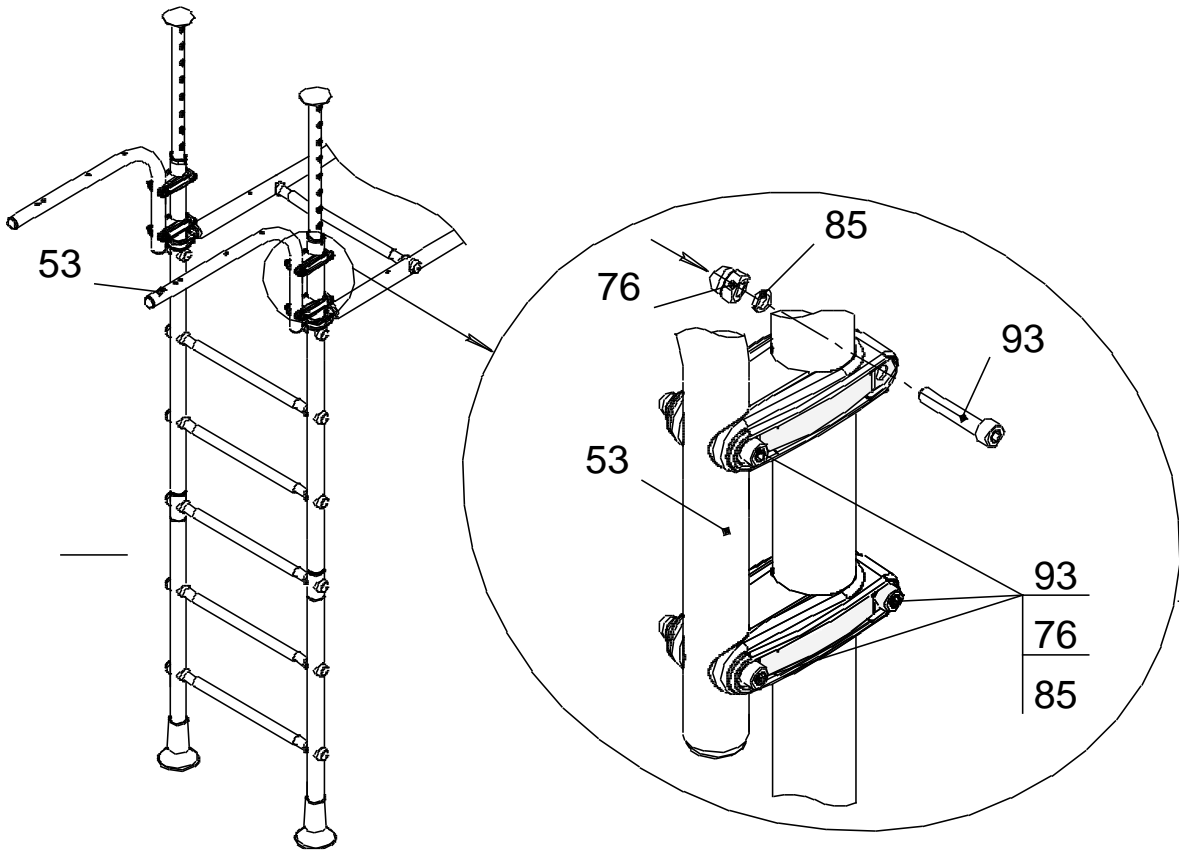
# 32



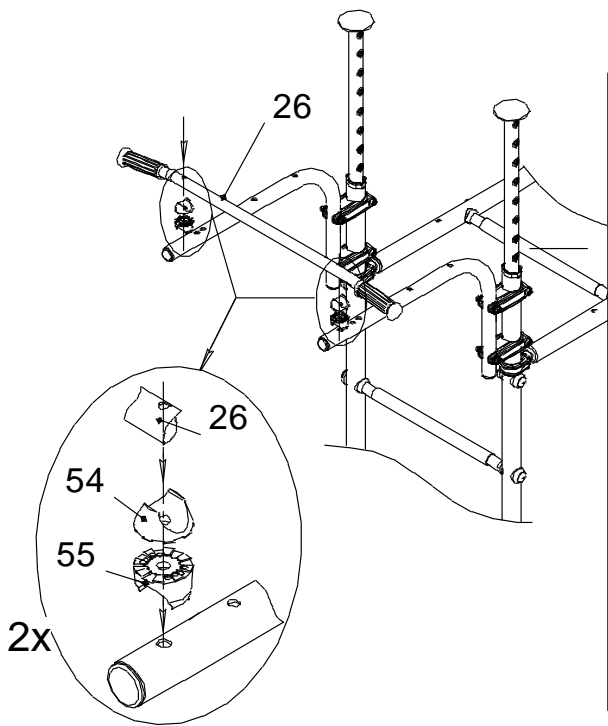
**Note!** It is recommended to support clamps pos. 28 on

**Do not tighten the screws pos. 93!** You should start the screws position 93 with the nuts position 76 preliminary; the washers position 85 should not be used by that (see point 38).

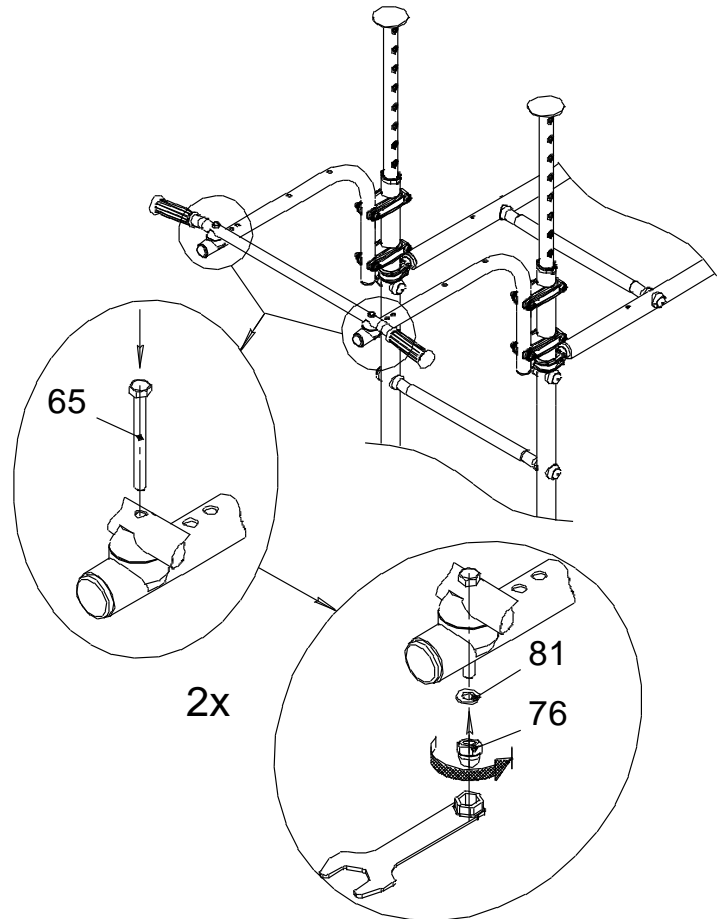
# 33



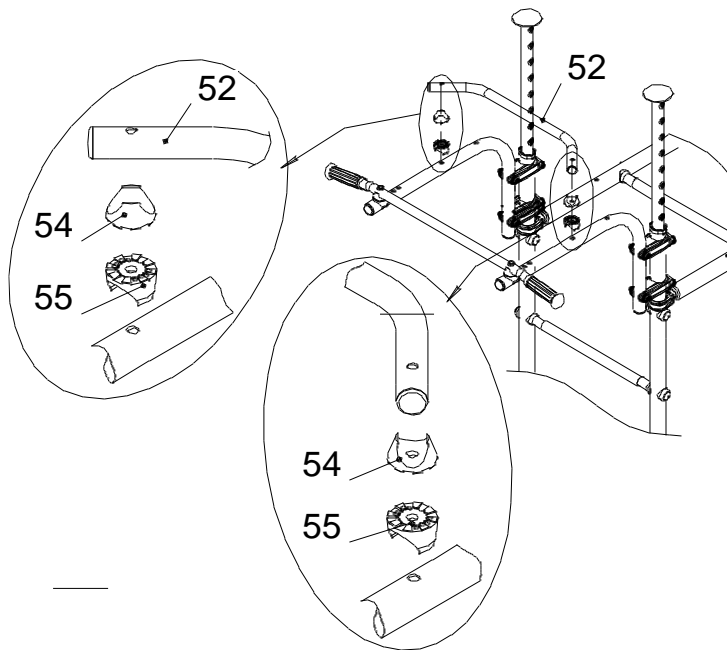
# 34



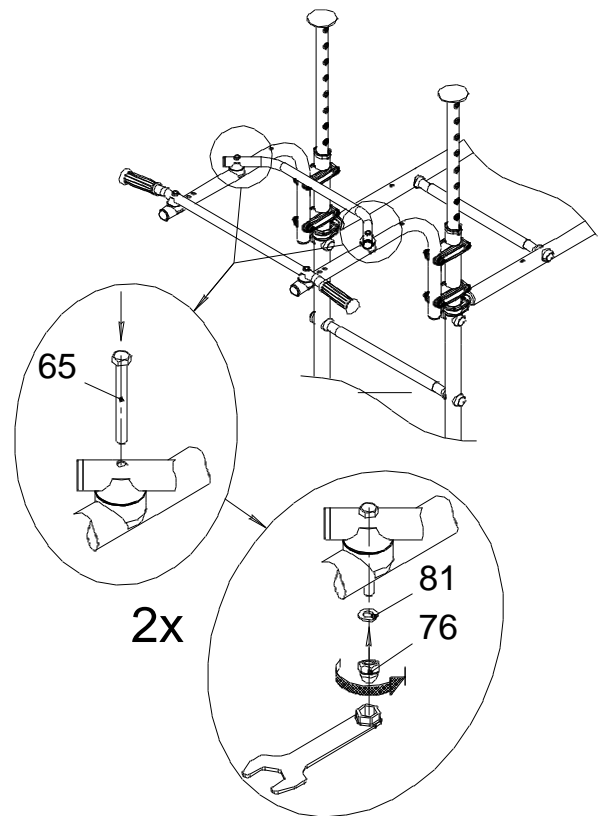
# 35



# 36



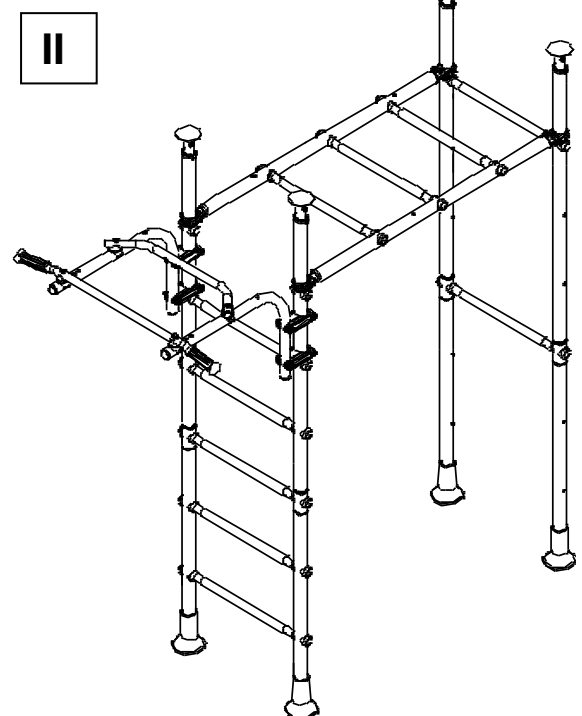
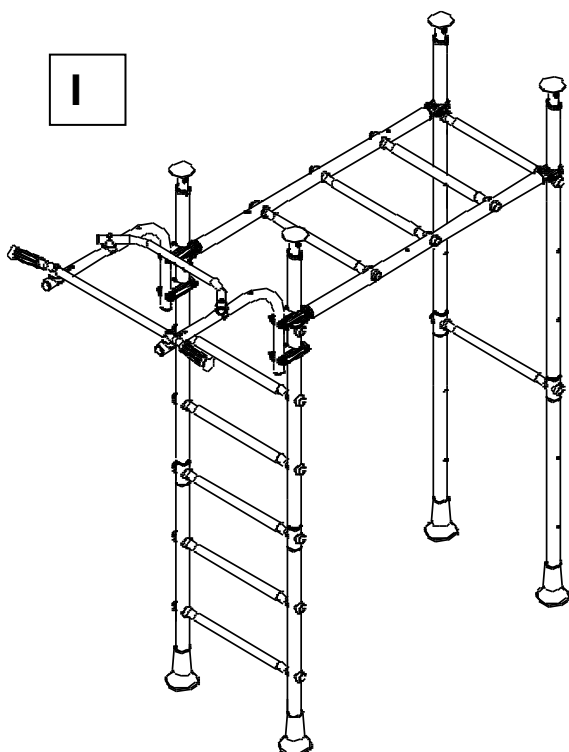
# 37

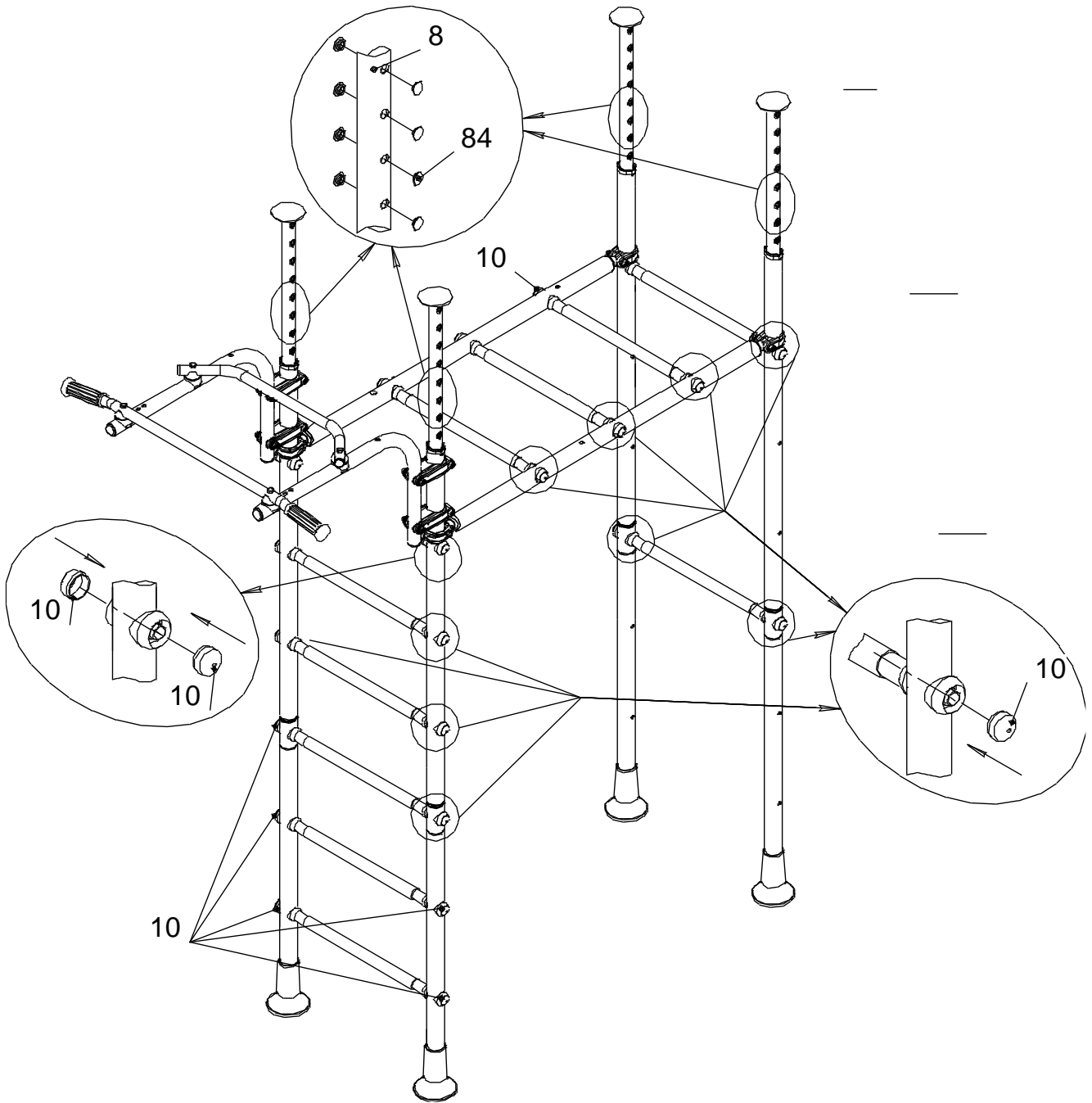


# 38

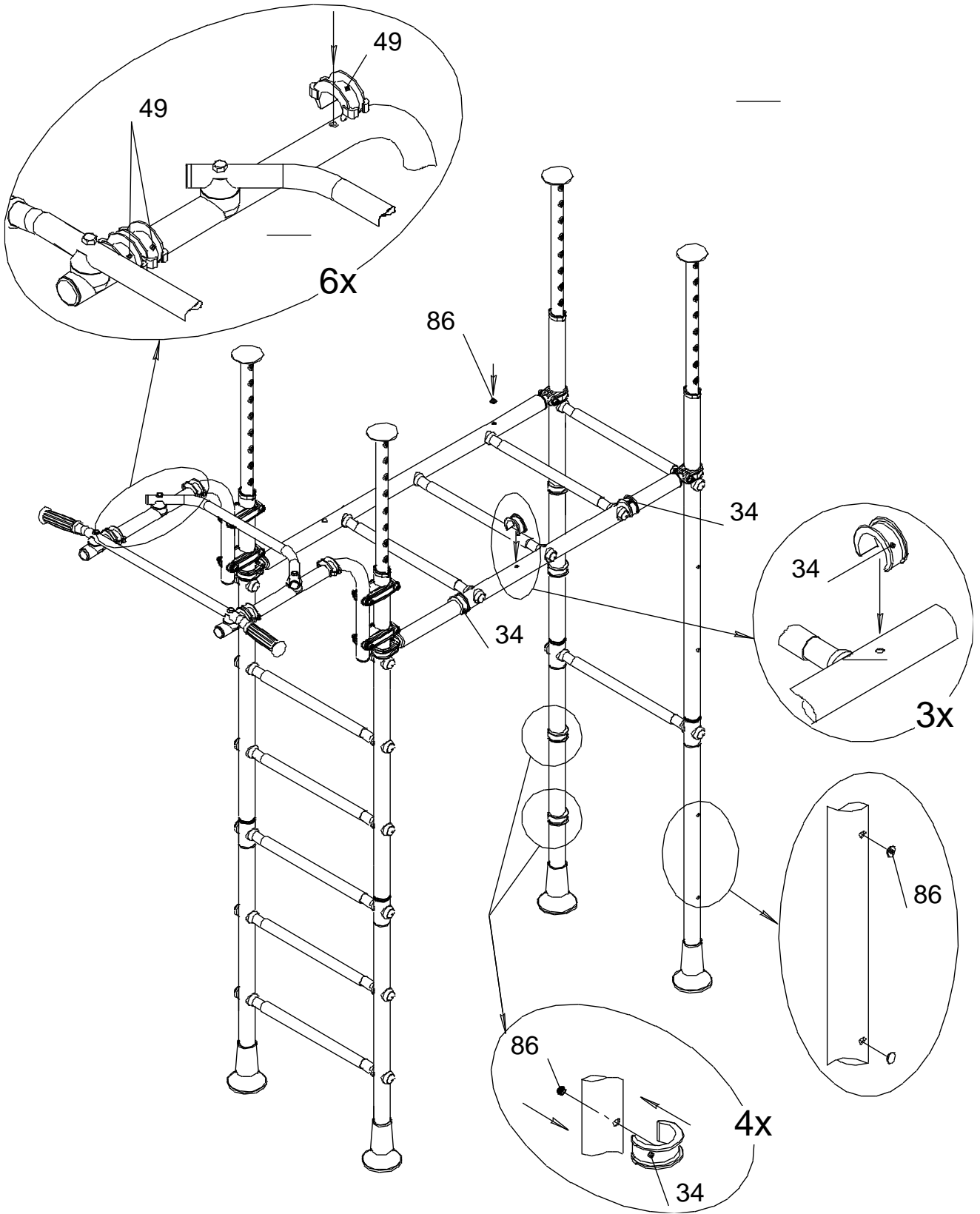
After assembling the angle bars position 53 with the trapeze platform position 26 and the assembled beam position 52 you should tighten the screws position 93 until stop to make the plates position 41 to go closely into the slots of the yoke clamps (see Figures 32;33). After that you should unscrew the screws position 93 in turn and install these screws again using the washers position 85. **Then you should finally tighten the screws position 93.**

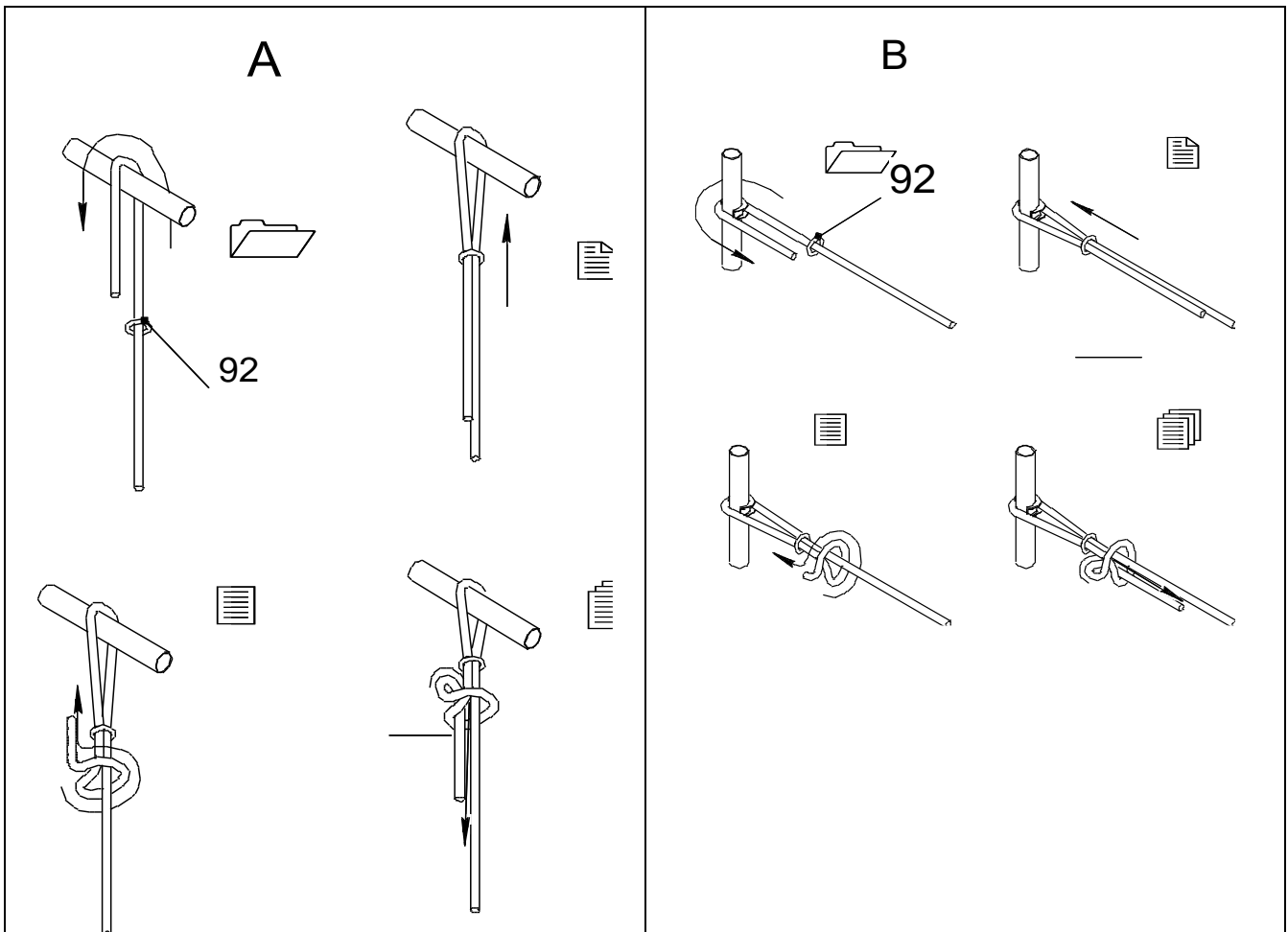
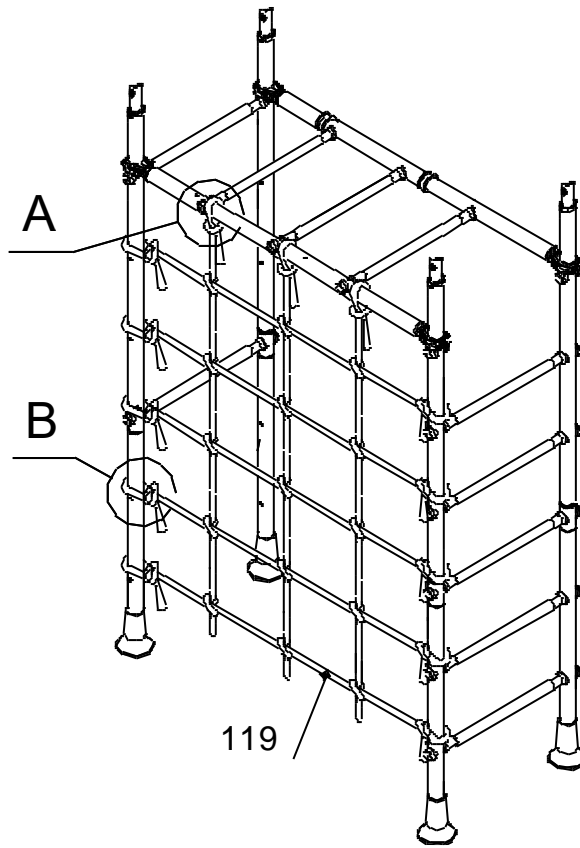
**A different assembly sequence is allowed.**





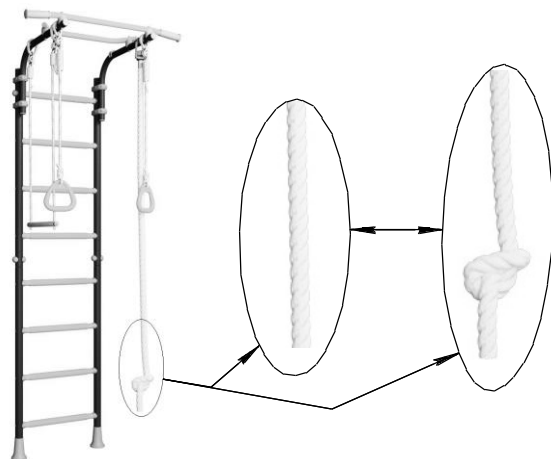
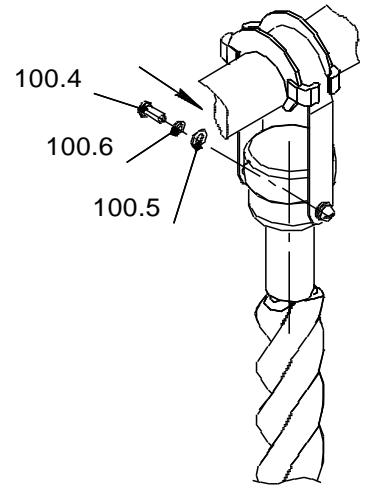
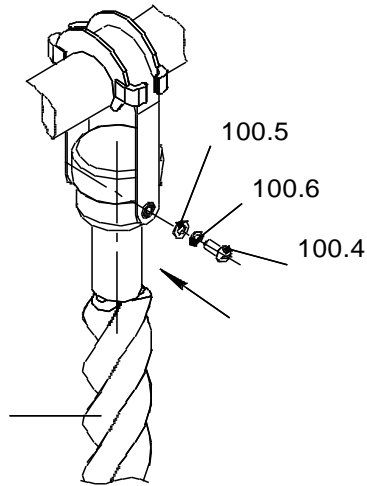
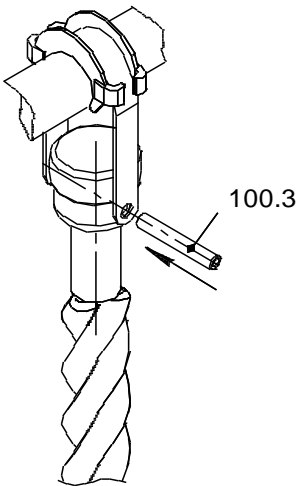
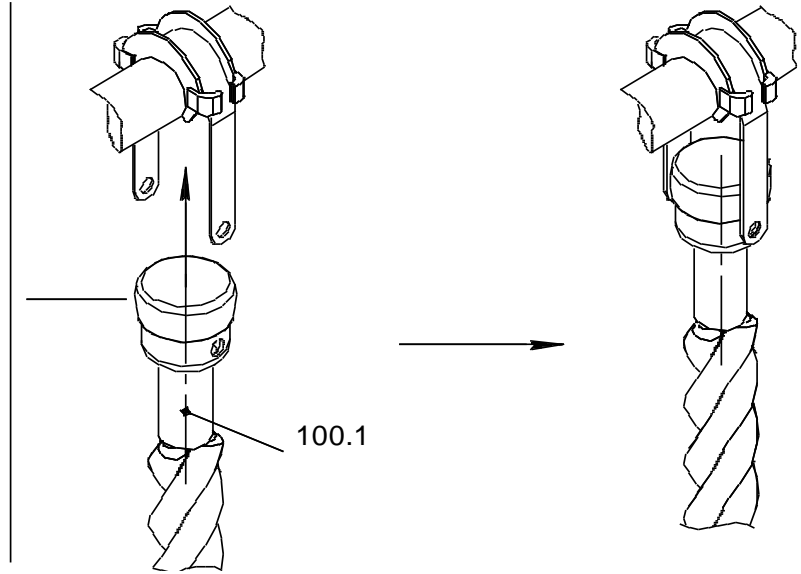
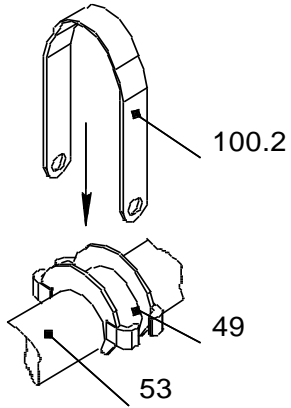
40



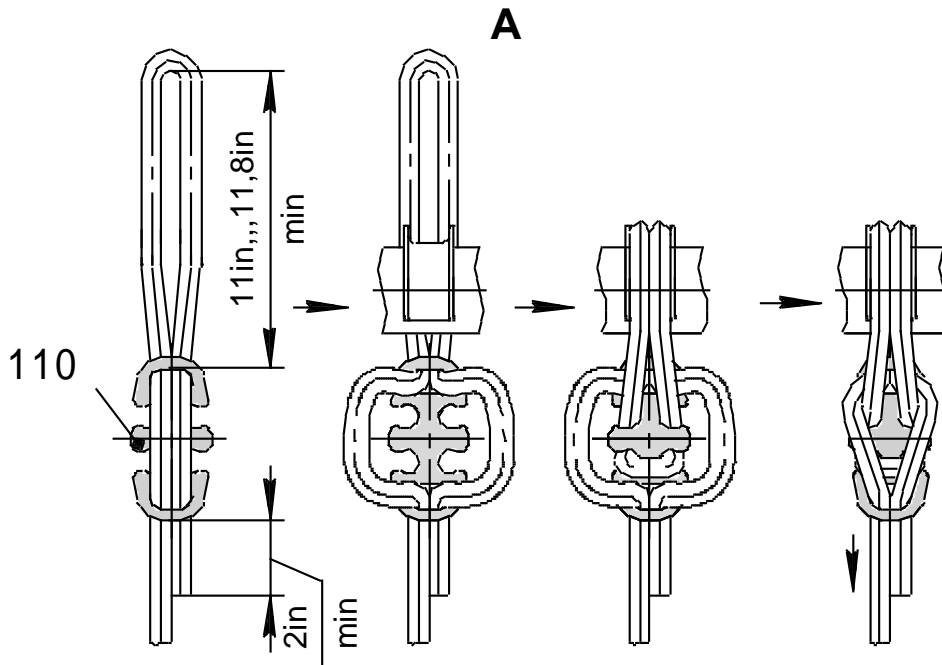
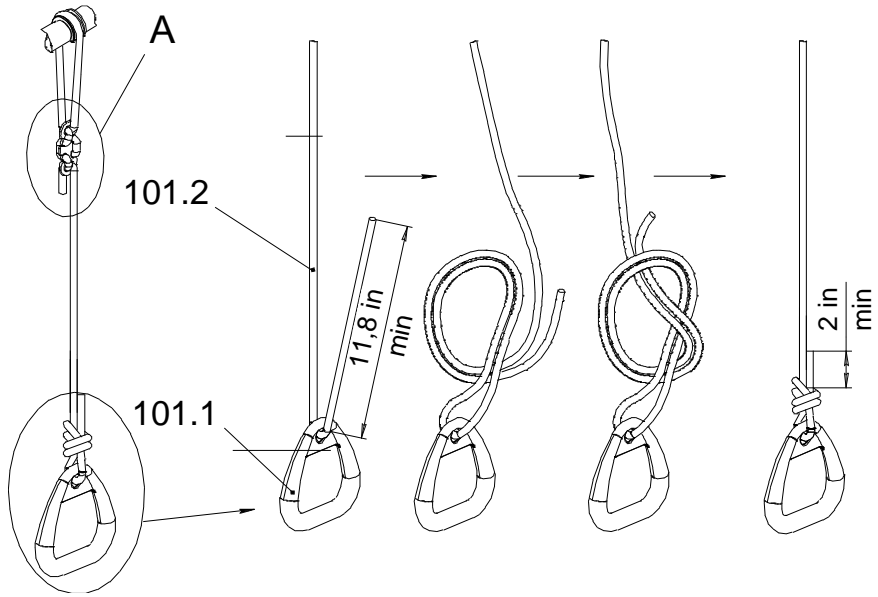




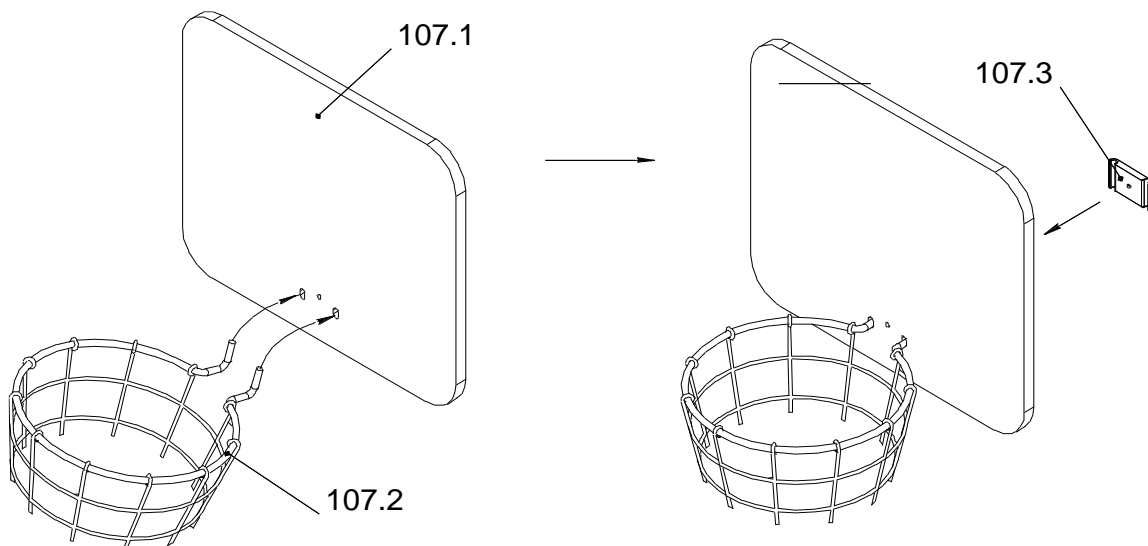
# 42



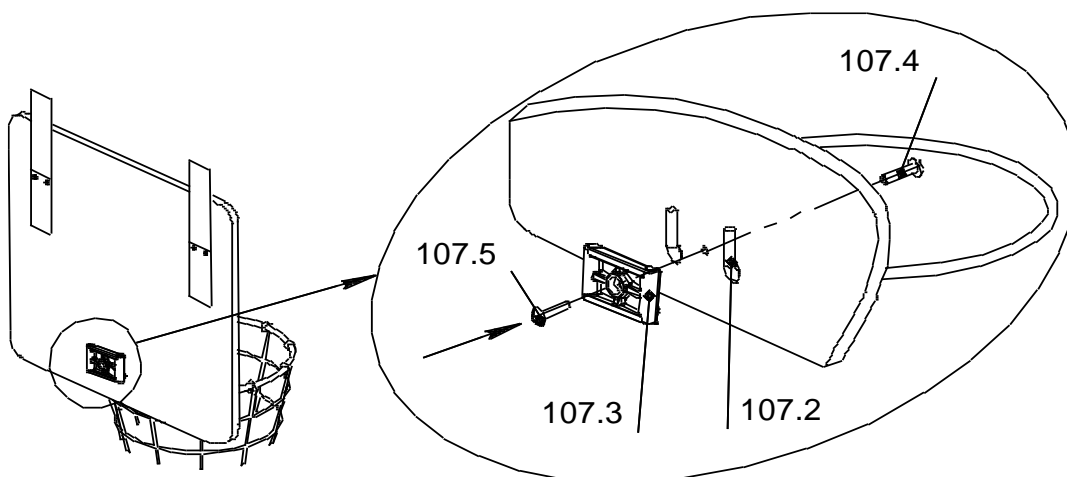
The rope should be used according to its intended purpose. not twist or untie strands against braiding.



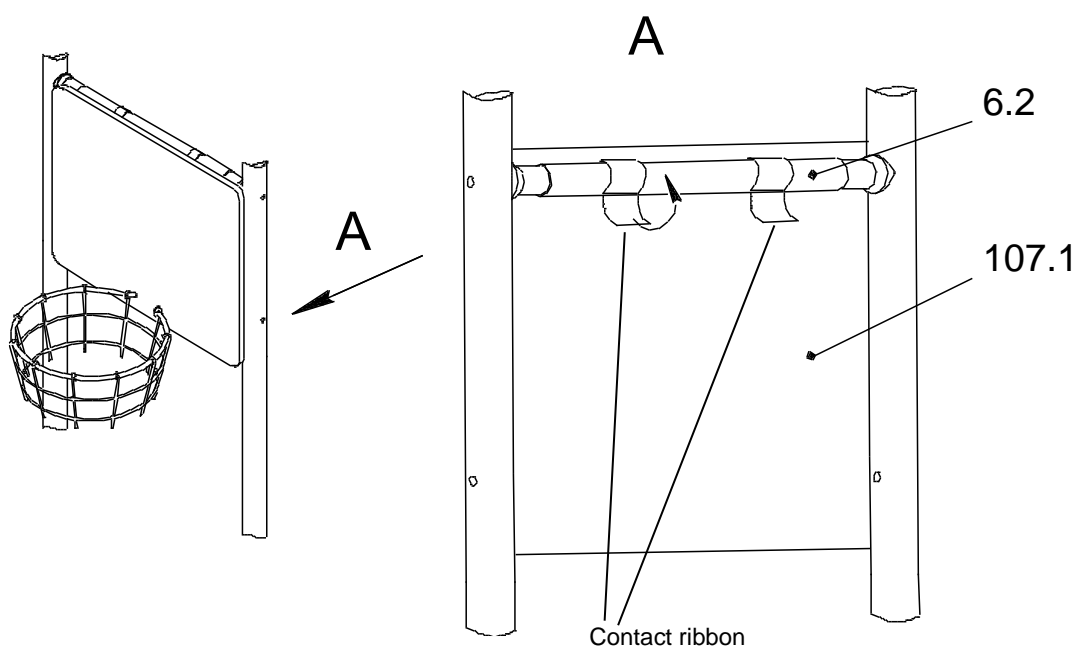
44



45



46



**Mounting quality control.**

- Using the plummet make sure that the ladder is placed vertically in relation to the floor. In case of deviations, loosen the bolts (pos. 67), make sure the ladder is placed vertically (using the plummet) and fix the uprights between the floor and the ceiling by means of bolts.

- Test the SET by means of applying loads (165 lb min) to the movable bar.

Make sure that the SET is steadily installed. When there are gaps between the ceiling and the upper supports pos.37 you should additionally thrust the SET apart by screwing out the bolts pos. 67 and then locking in with the nuts pos. 77.