

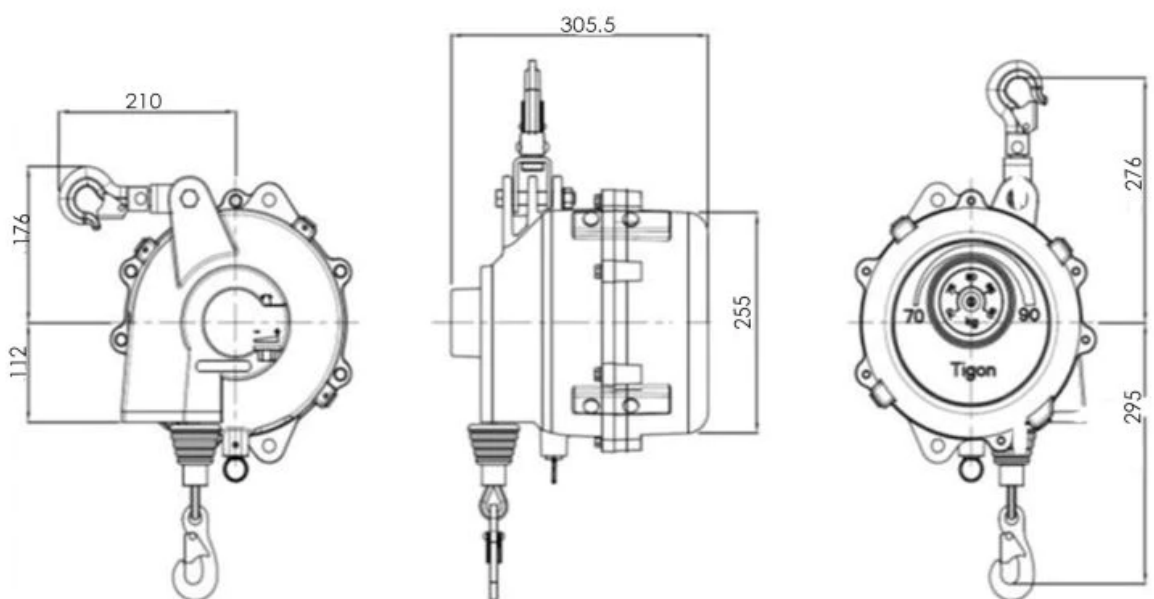
Spring Balancer

TW-90 - TW-120

Designed to compensate for the weight of work tools, components and equipment, our large range of Tigon balancers are ideally suited for suspending heavy hand operated tools and supporting assembly components during manufacture. Not only does this reduce operator fatigue and mitigate injuries, it also boost productivity and operator efficiency.



Model	Capacity (kg)	Stroke (m)	Weight (kg)
TW-90	70 - 90	2.1	27
TW-105	85 - 105	2.1	29
TW-120	100 - 120	2.1	30



Heavy Duty