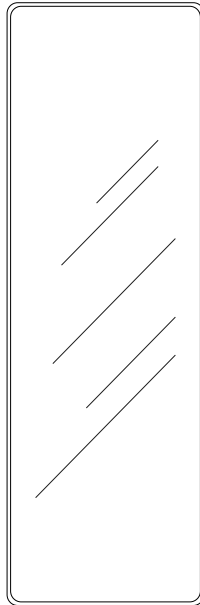


---

# INSTALLATION GUIDE

---


## VARESE FLOOR MIRROR LRG




# HAUS

[hertexhaus.co.za](http://hertexhaus.co.za)

## GENERAL INSTRUCTIONS


 Minor installation required


 Estimated time: 10–15 minutes


 Requires two people for installation

## TOOLS REQUIRED

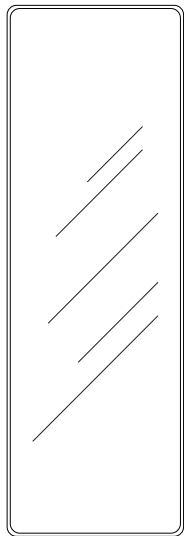
 Hammer drill (not included)

 Tape measure (not included)

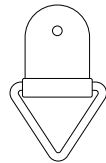
 Spirit level (not included)

 Pencil (not included)

## WHAT'S IN THE BOX



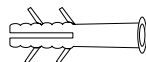
Ax1



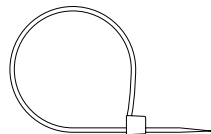
Bx2



Cx2



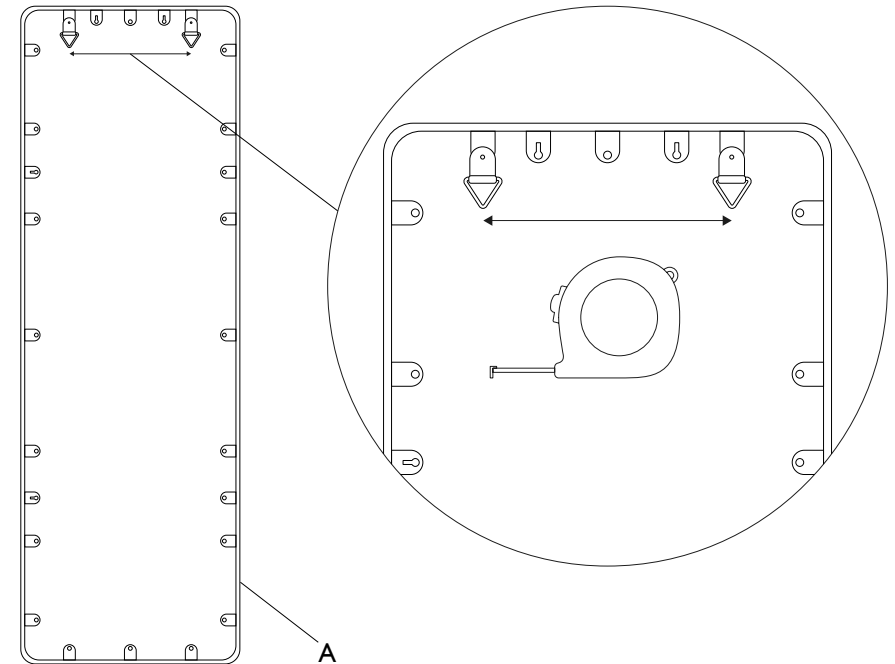
Dx2



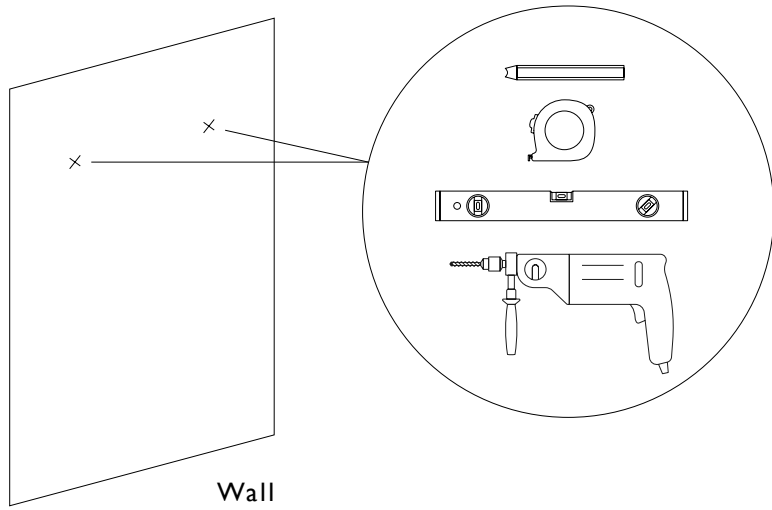
Ex2

## INSTALLATION INSTRUCTIONS

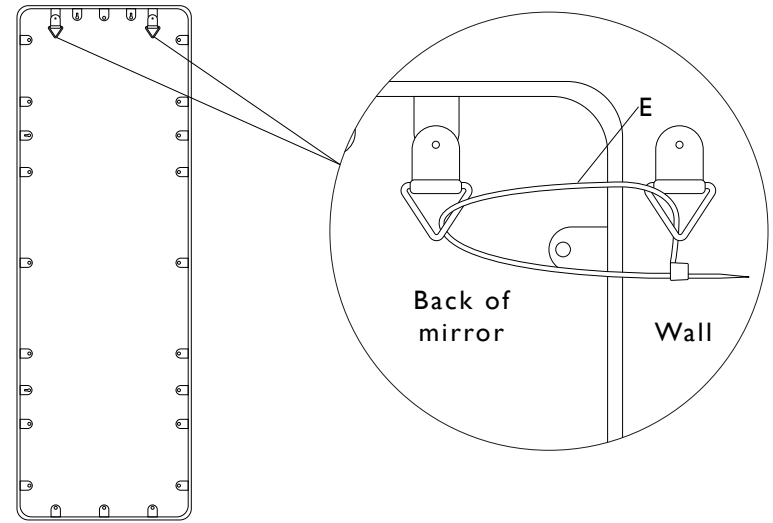
### STEP 1



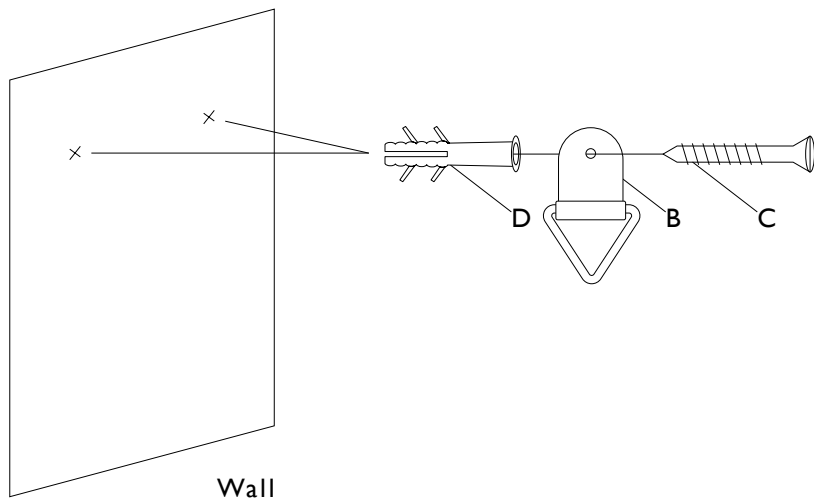
STEP 2



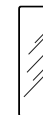
STEP 4



STEP 3



COMPLETED ITEM



HAUS

[hertexhaus.co.za](http://hertexhaus.co.za)