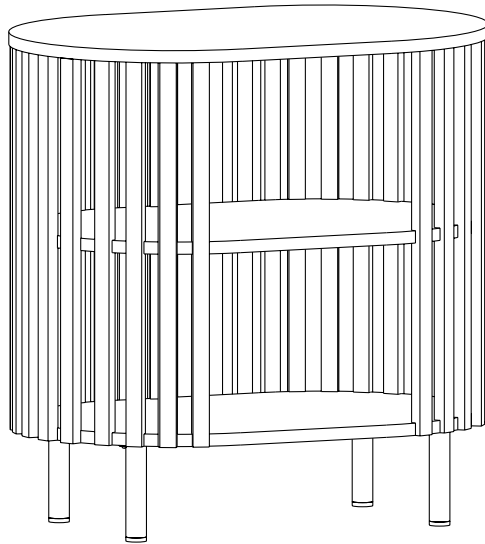


---

# ASSEMBLY GUIDE

---


## SWEDISH NIGHTSTAND




# HAUS

[hertexhaus.co.za](http://hertexhaus.co.za)


## GENERAL INSTRUCTIONS


 Minor assembly required

 Estimated time: 10 minutes

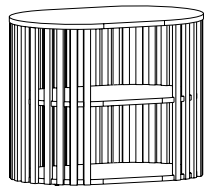
 Requires one person for assembly

## TOOLS REQUIRED

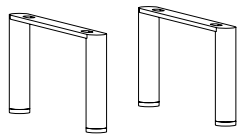
 Allen key (included)

 No additional tools required

## WHAT'S IN THE BOX



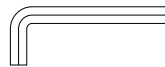
Ax1



Bx2



Cx4  
(M6 x 16mm L)



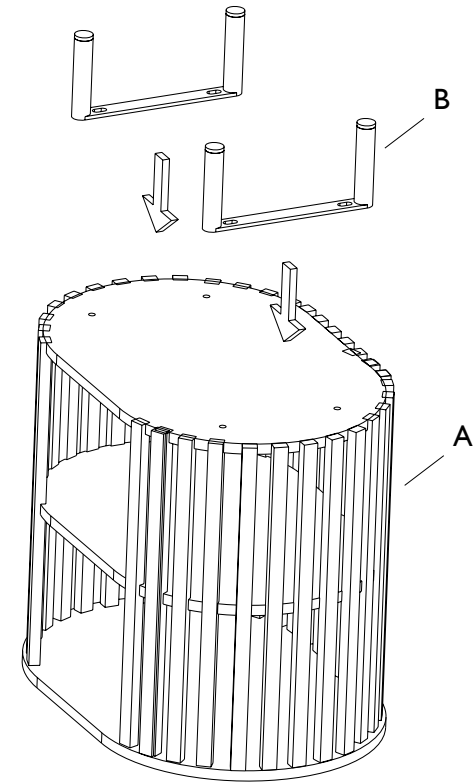
Dx1



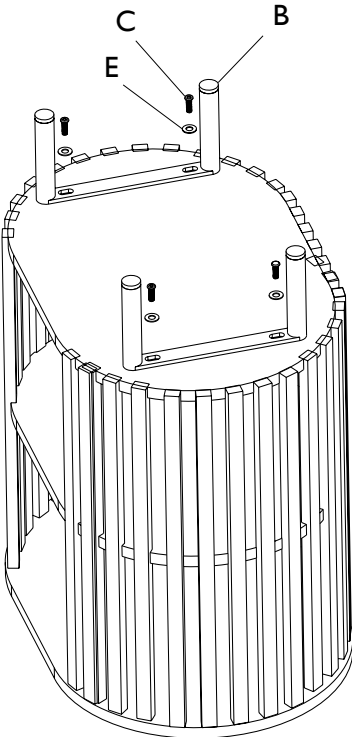
Ex4  
(M6 x 16mm L)

## ASSEMBLY INSTRUCTIONS

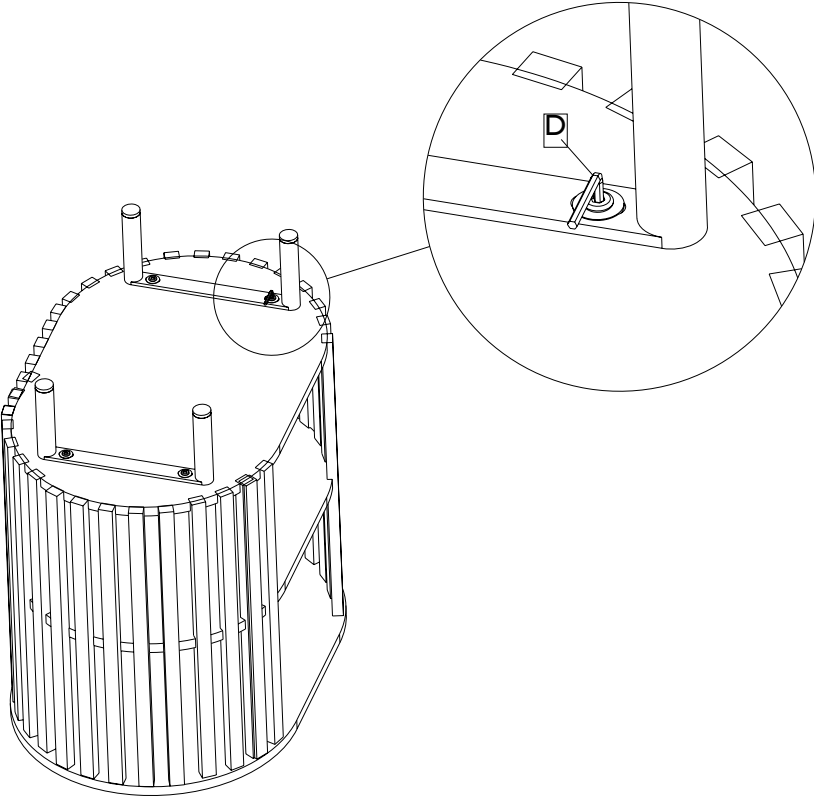
### STEP 1



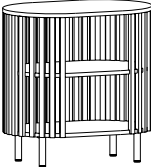
STEP 2



STEP 3



COMPLETED ITEM



HAUS

[hertexhaus.co.za](http://hertexhaus.co.za)