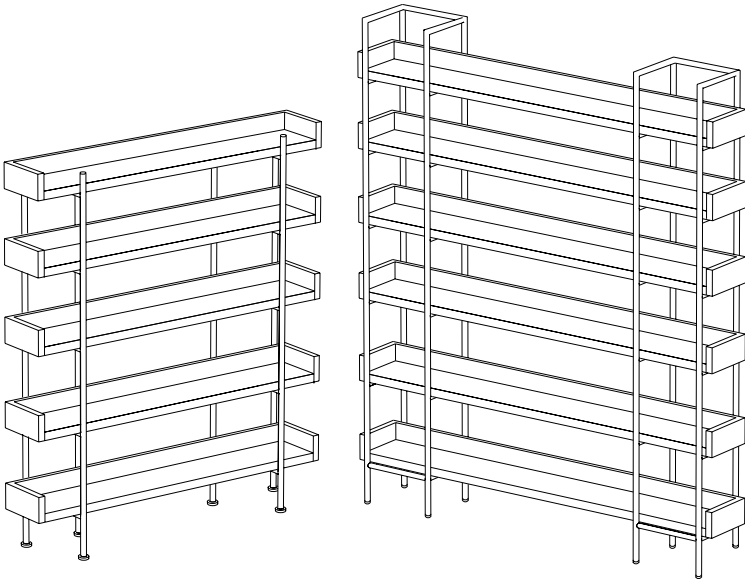

ASSEMBLY GUIDE

HUDSON SHELVING



HAUS

hertexhaus.co.za



6-SHELF

GENERAL INSTRUCTIONS

Minor assembly required

Estimated time: 15 minutes

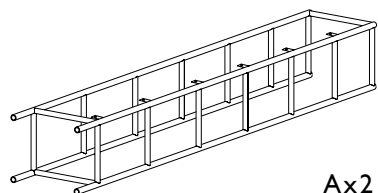
Requires two people for assembly

TOOLS REQUIRED

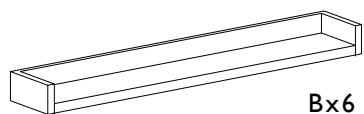
Screwdriver (not included)

No additional tools required

WHAT'S IN THE BOX



Ax2



Bx6



Cx2



Dx12



Ex36



Fx12



Gx12



Hx2



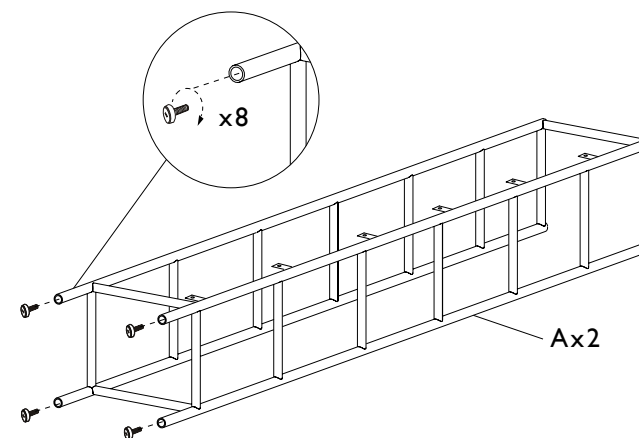
Ix2



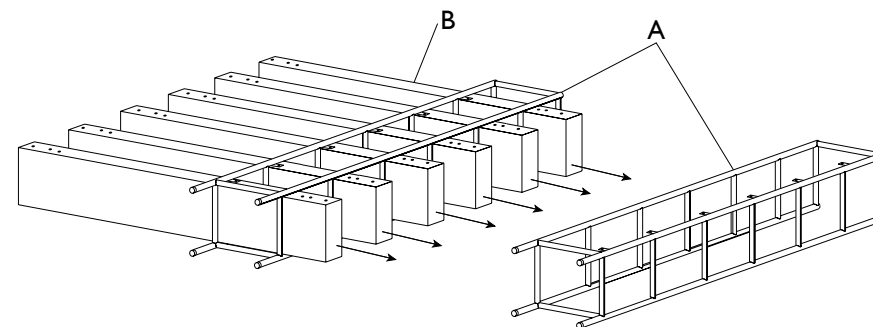
Jx2

ASSEMBLY INSTRUCTIONS

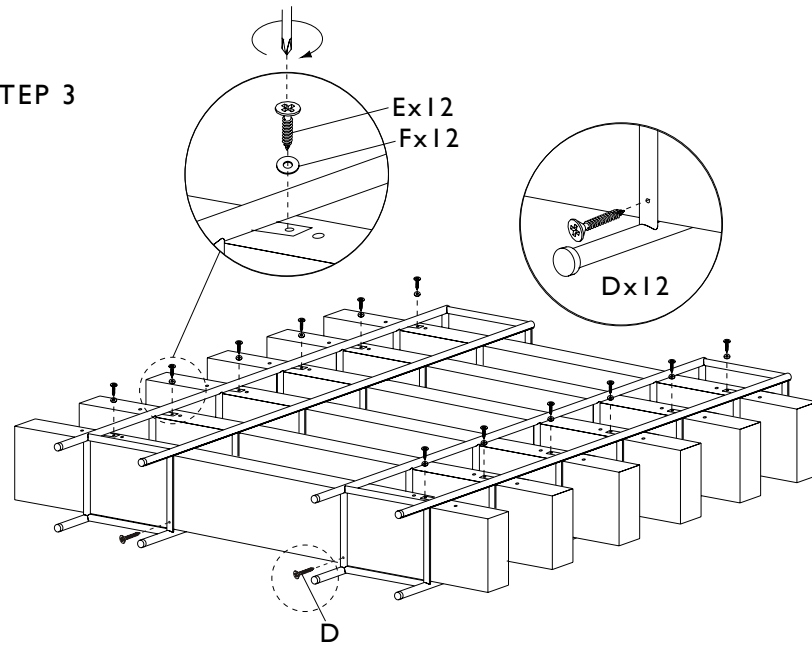
STEP 1



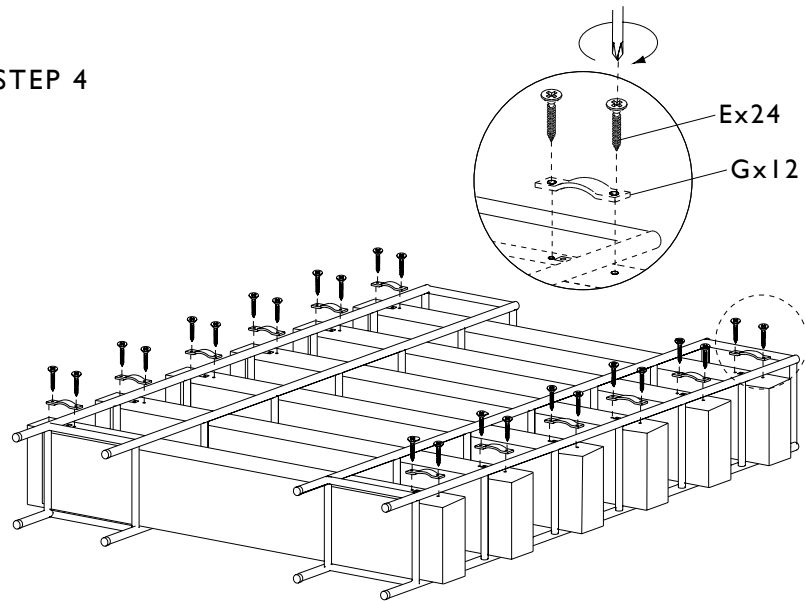
STEP 2



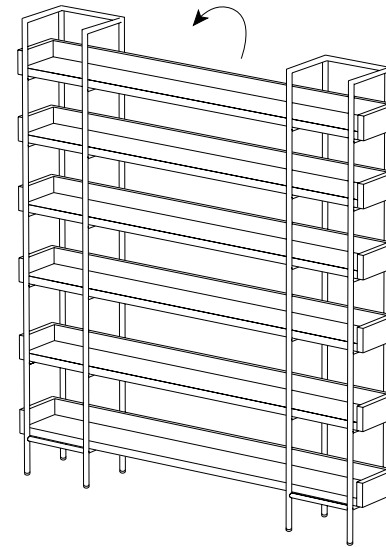
STEP 3



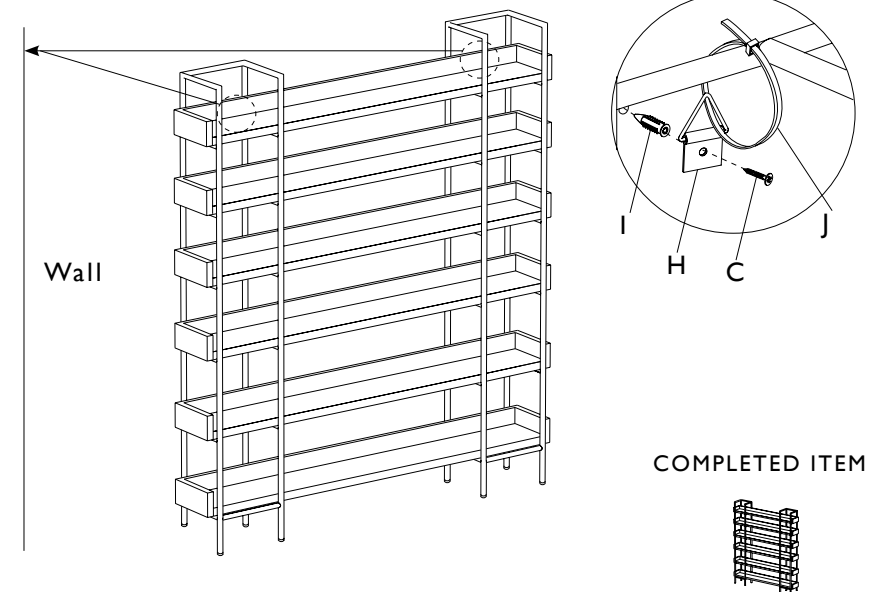
STEP 4



STEP 5



STEP 6





5-SHELF

GENERAL INSTRUCTIONS

Minor assembly required

Estimated time: 15 minutes

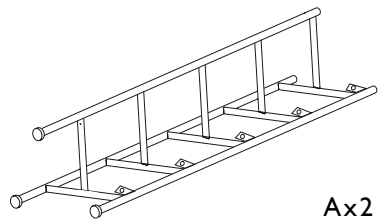
Requires two people for assembly

TOOLS REQUIRED

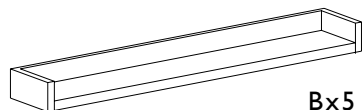
Screwdriver (not included)

No additional tools required

WHAT'S IN THE BOX



Ax2



Bx5



Cx10
(M4 x 25mm L)



Dx30
(M4 x 20mm L)



Ex10



Fx10



Gx2



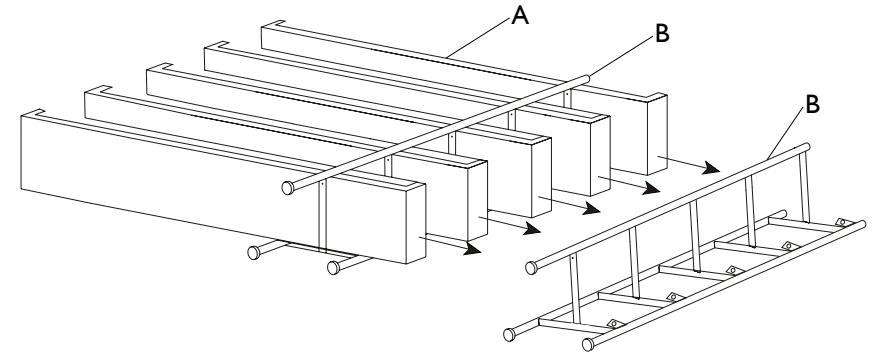
Hx2



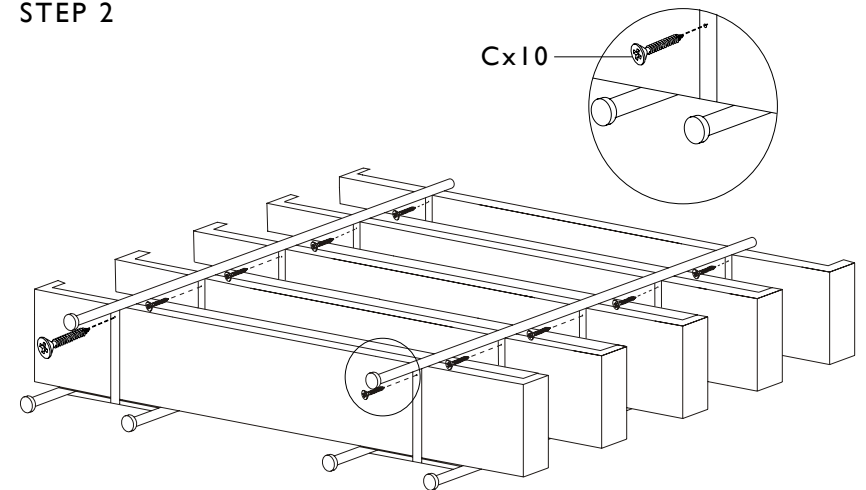
Ix2

ASSEMBLY INSTRUCTIONS

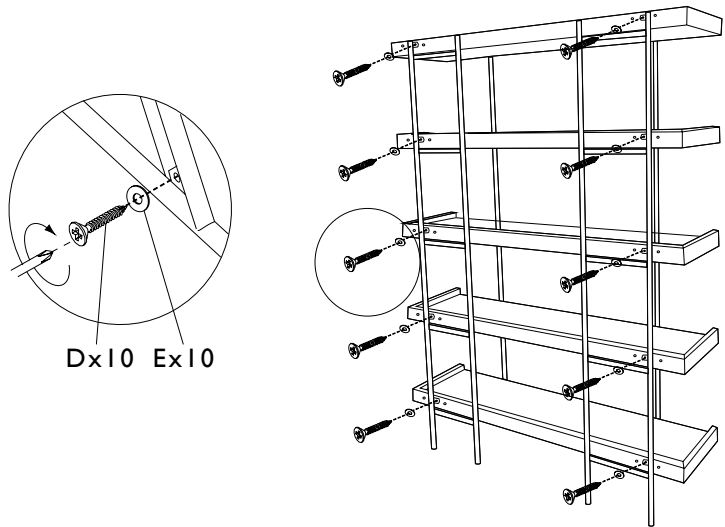
STEP 1



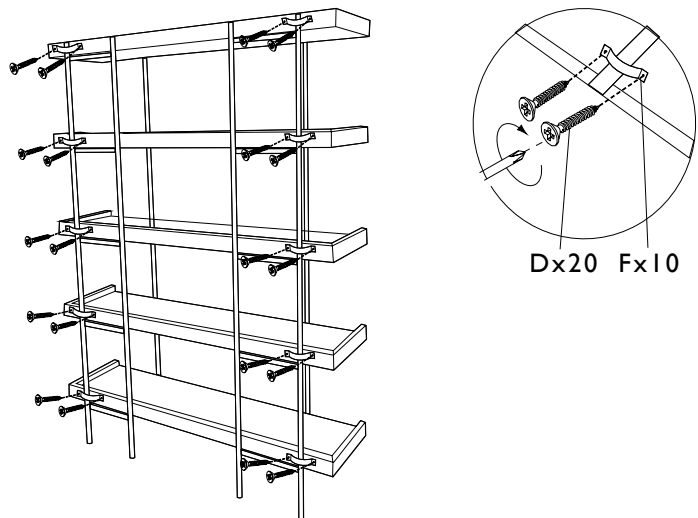
STEP 2



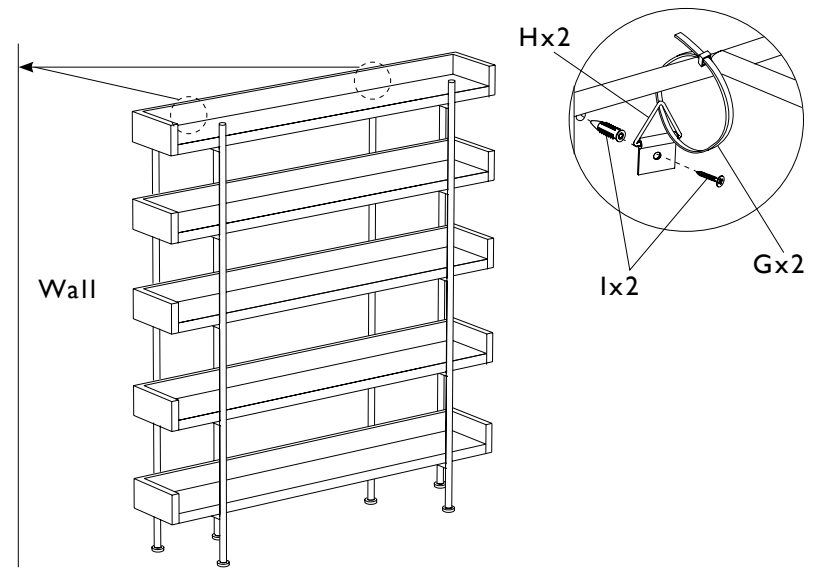
STEP 3



STEP 4



STEP 5



COMPLETED ITEM



HAUS

hertexhaus.co.za