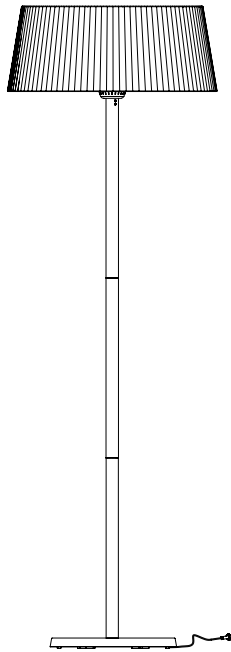

ASSEMBLY GUIDE

HEATWAVE PATIO HEATER




HAUS

hertexhaus.co.za

GENERAL INSTRUCTIONS


 Minor assembly required

 Estimated time: 10 minutes

 Requires one person for assembly

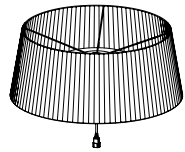
TOOLS REQUIRED

 Wrench (included)

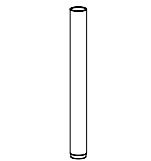
 Screwdriver (not included)

X No additional tools required

WHAT'S IN THE BOX



Ax1



Bx3



Cx1



Dx1



Ex1



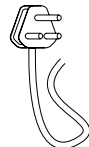
Fx3



Gx2
(M4 x 8mm L)



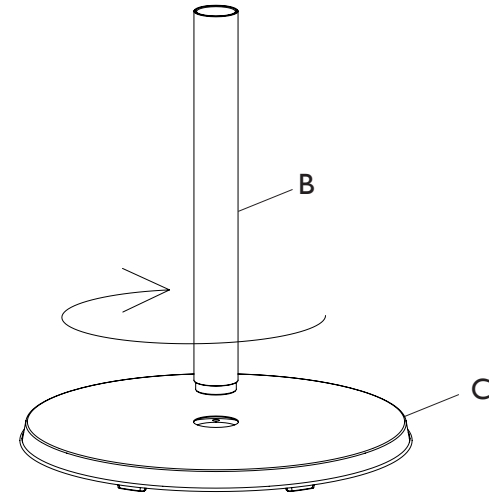
Hx3



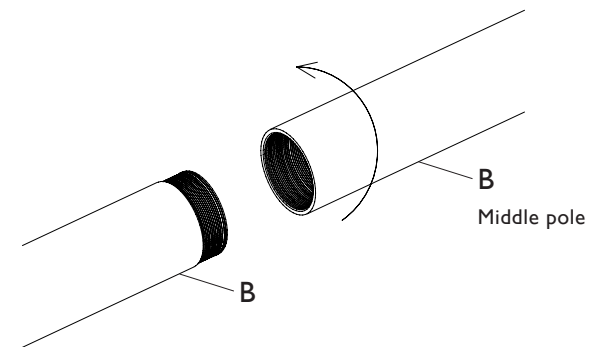
Ix1

ASSEMBLY INSTRUCTIONS

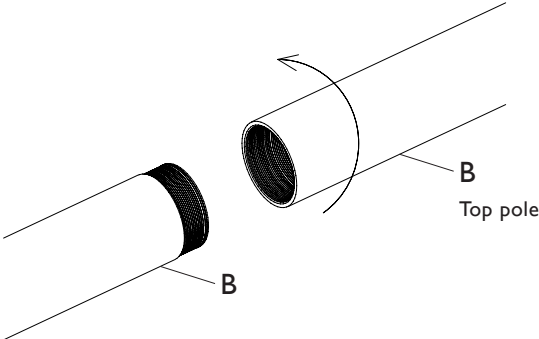
STEP 1



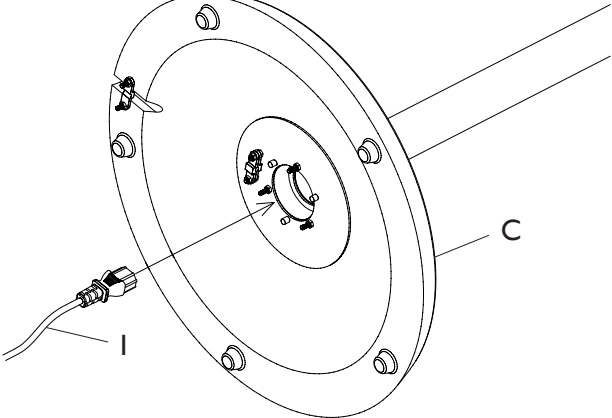
STEP 2



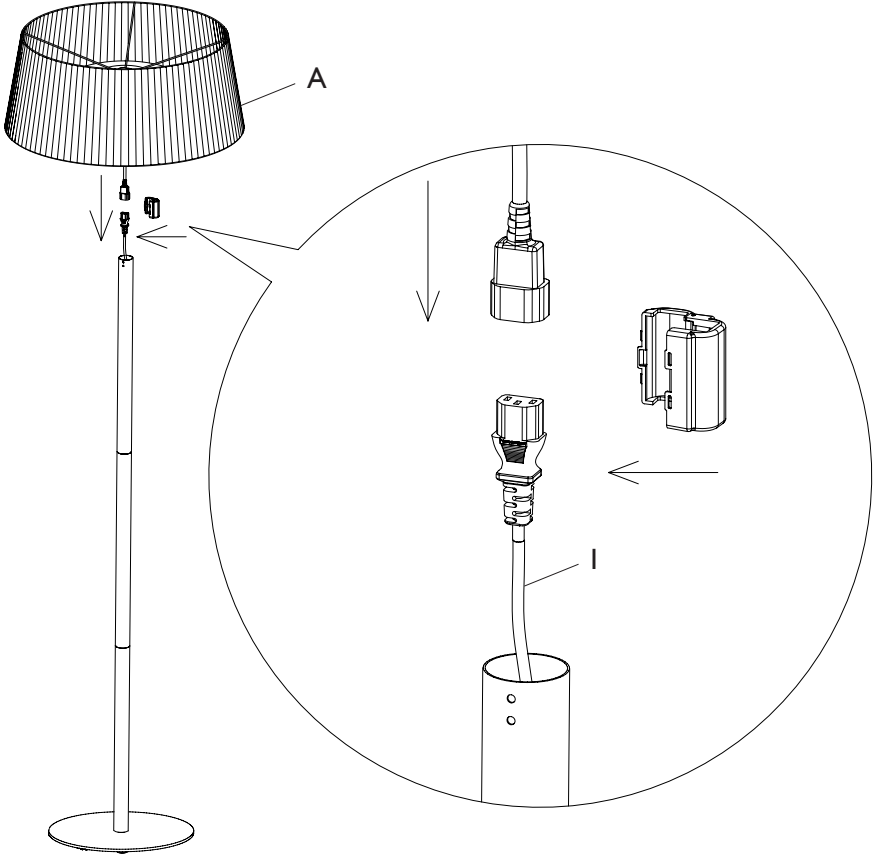
STEP 3



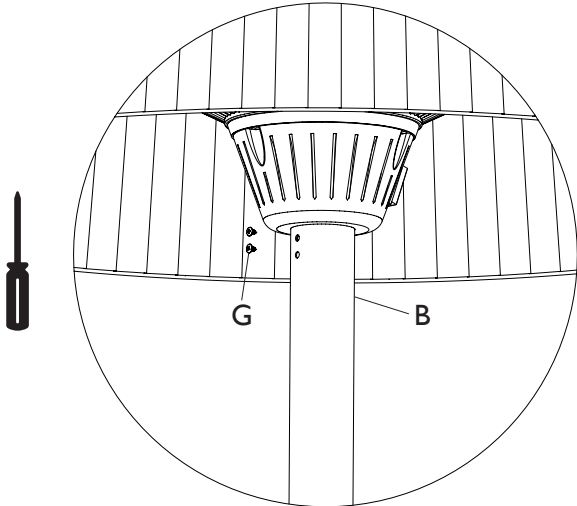
STEP 4



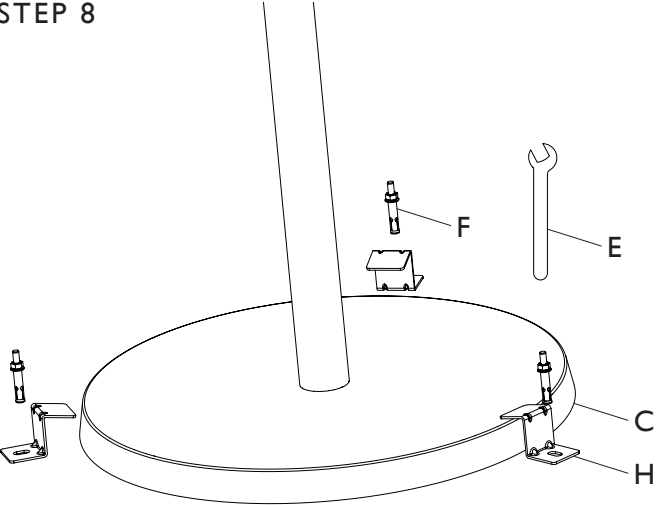
STEP 5



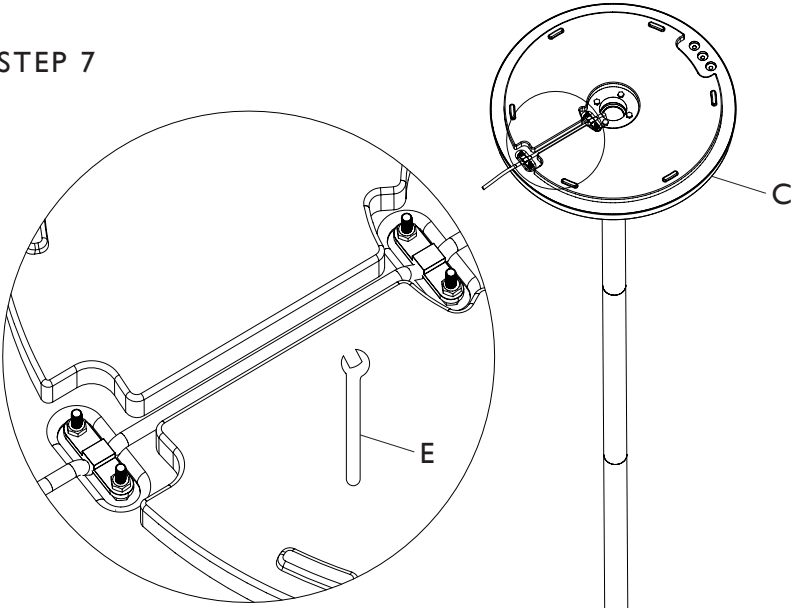
STEP 6



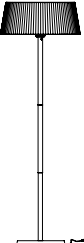
STEP 8



STEP 7



COMPLETED ITEM



HAUS

hertexhaus.co.za