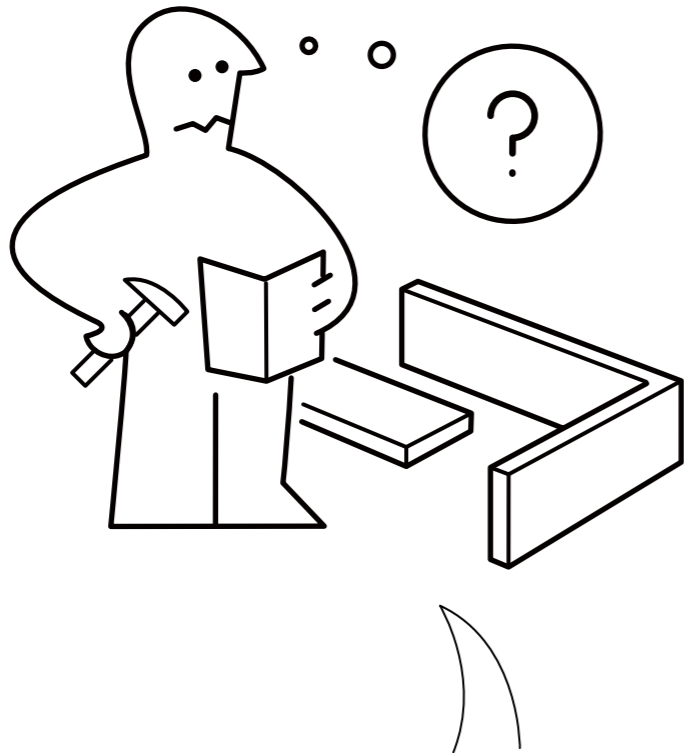
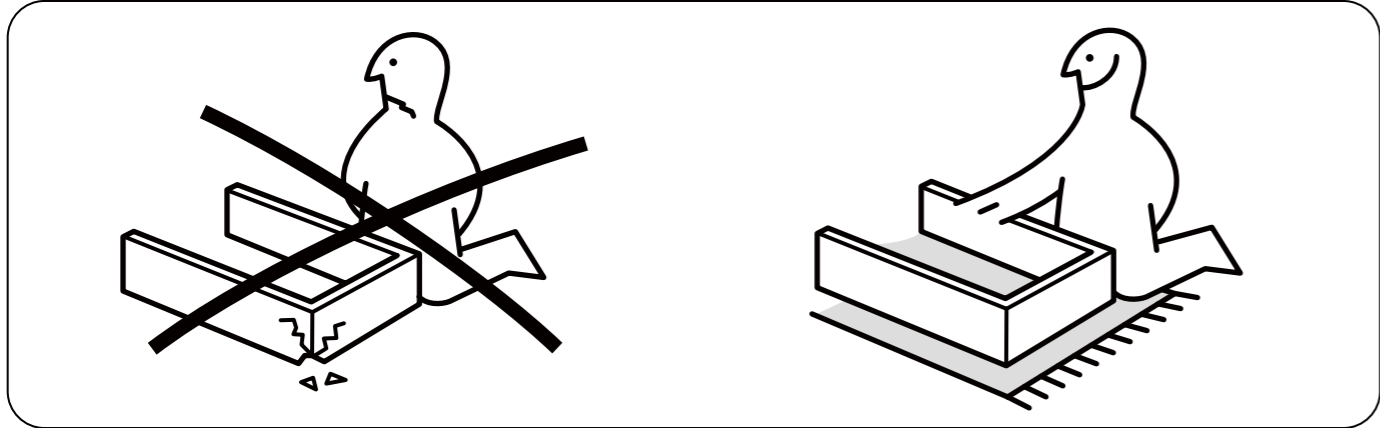


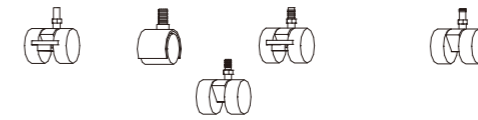
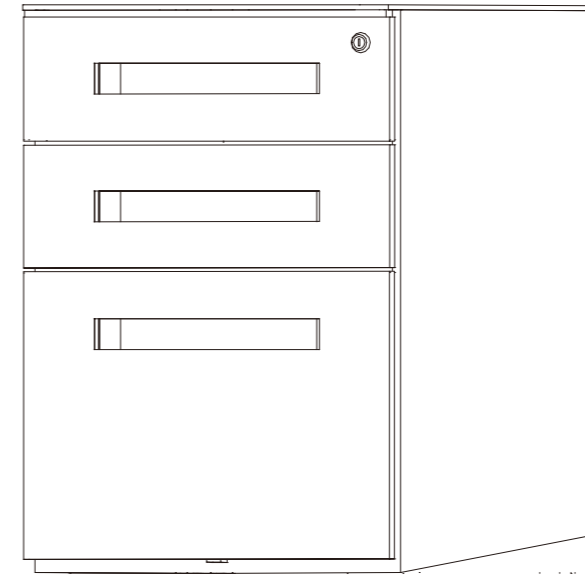
**Model: SPC-130**  
Installation Guide

# Assemble Item On a Clean Flat Surface

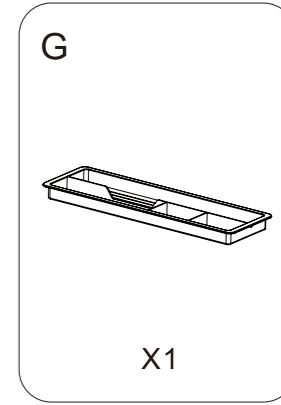
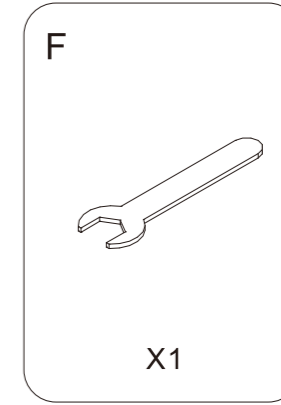
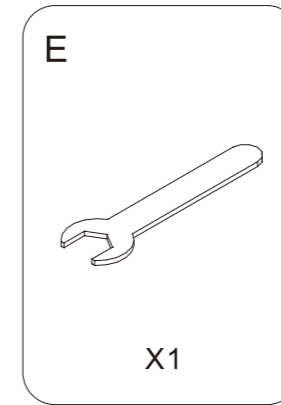
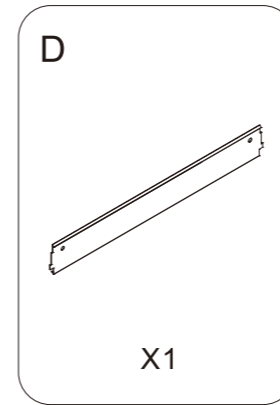
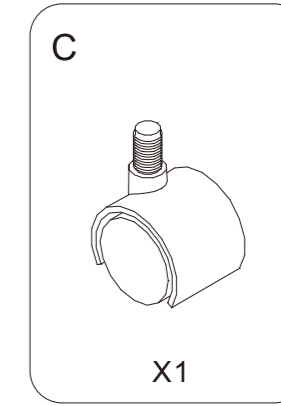
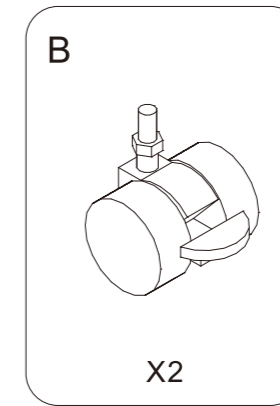
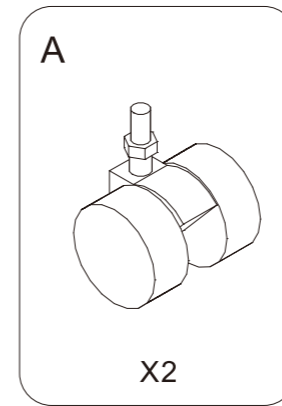


- Please check you have all hardware before assembling.
- Please ensure you have the name of the item and hardware part required and quantity.
- Please contact us by mail, if you have any questions, and we will reply you ASAP.
- Enjoy your new purchase!

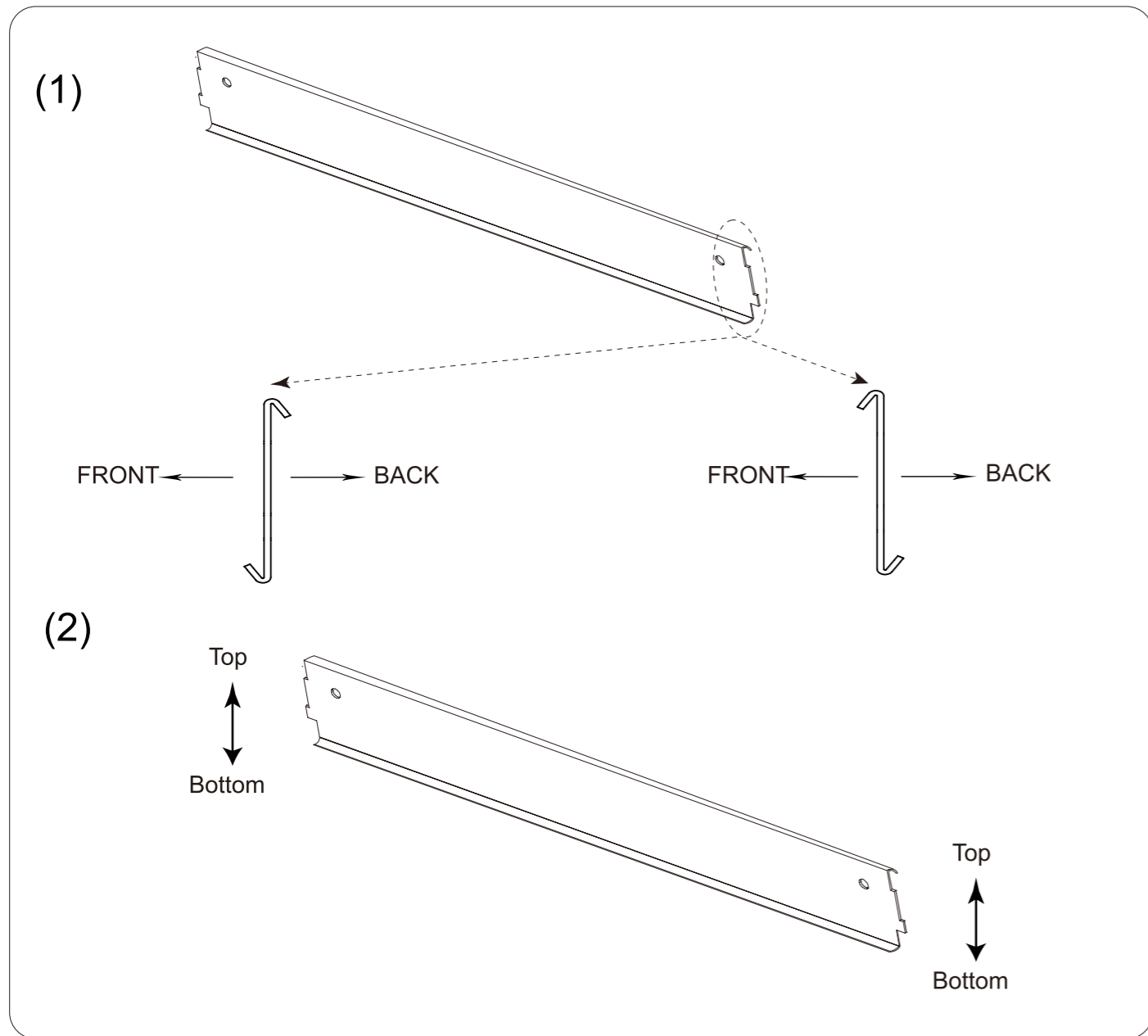
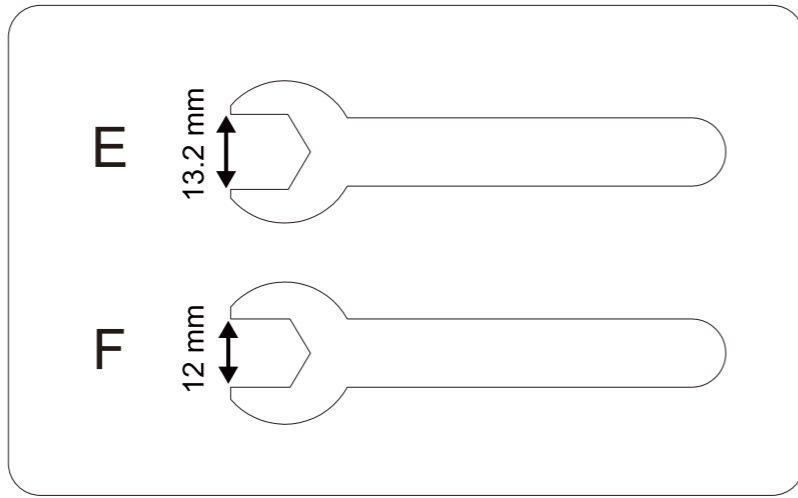
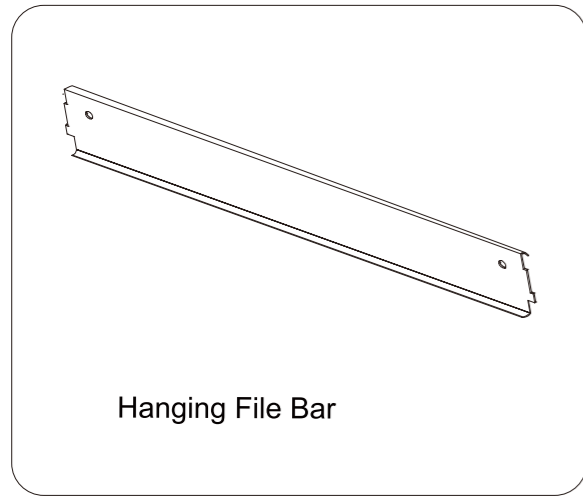
# EXPLODED DRAWING



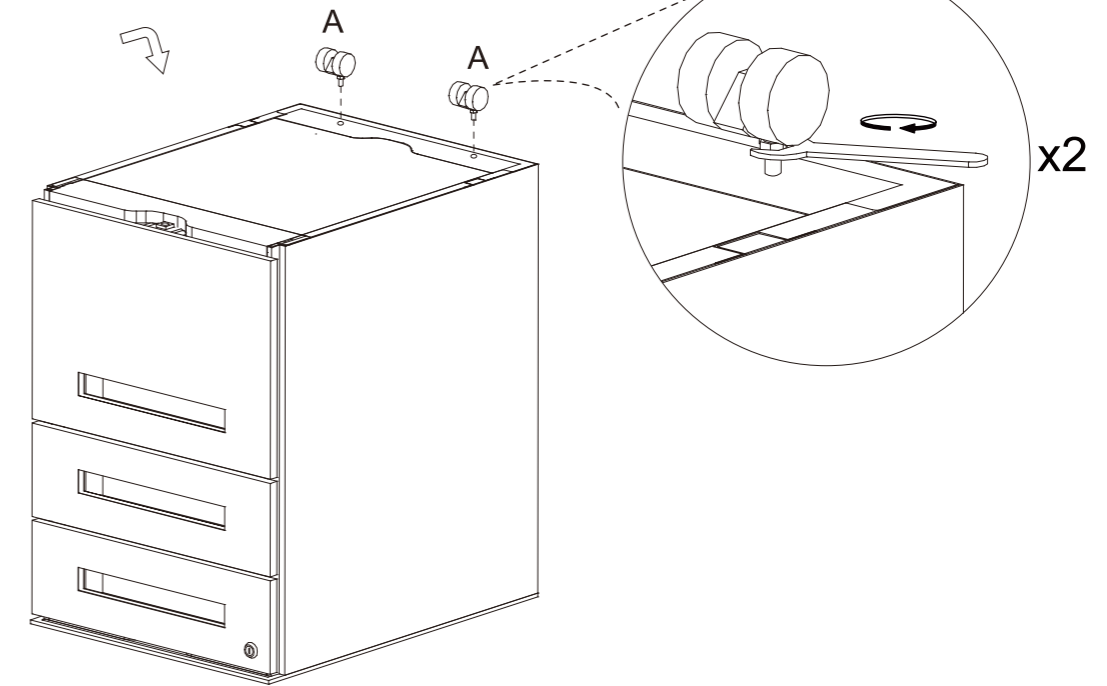
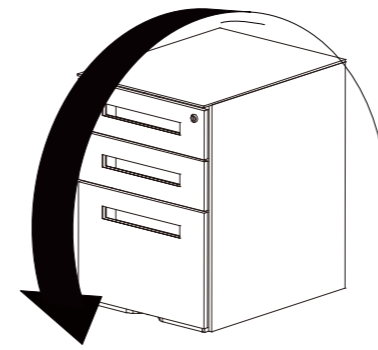
# PARTS



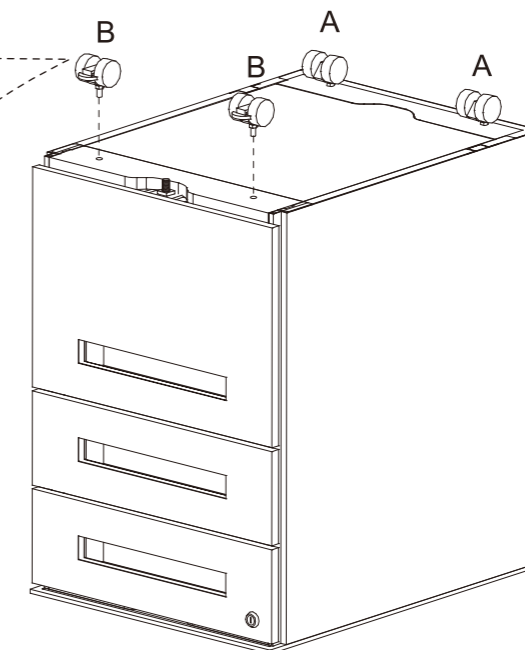
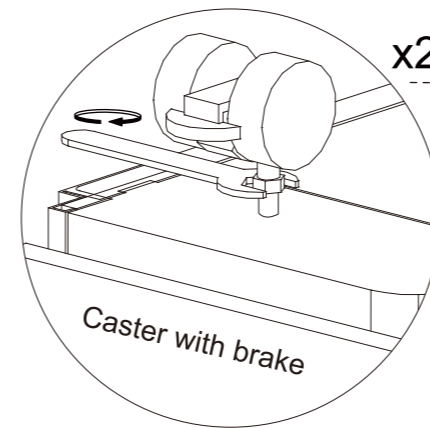
# REMARK



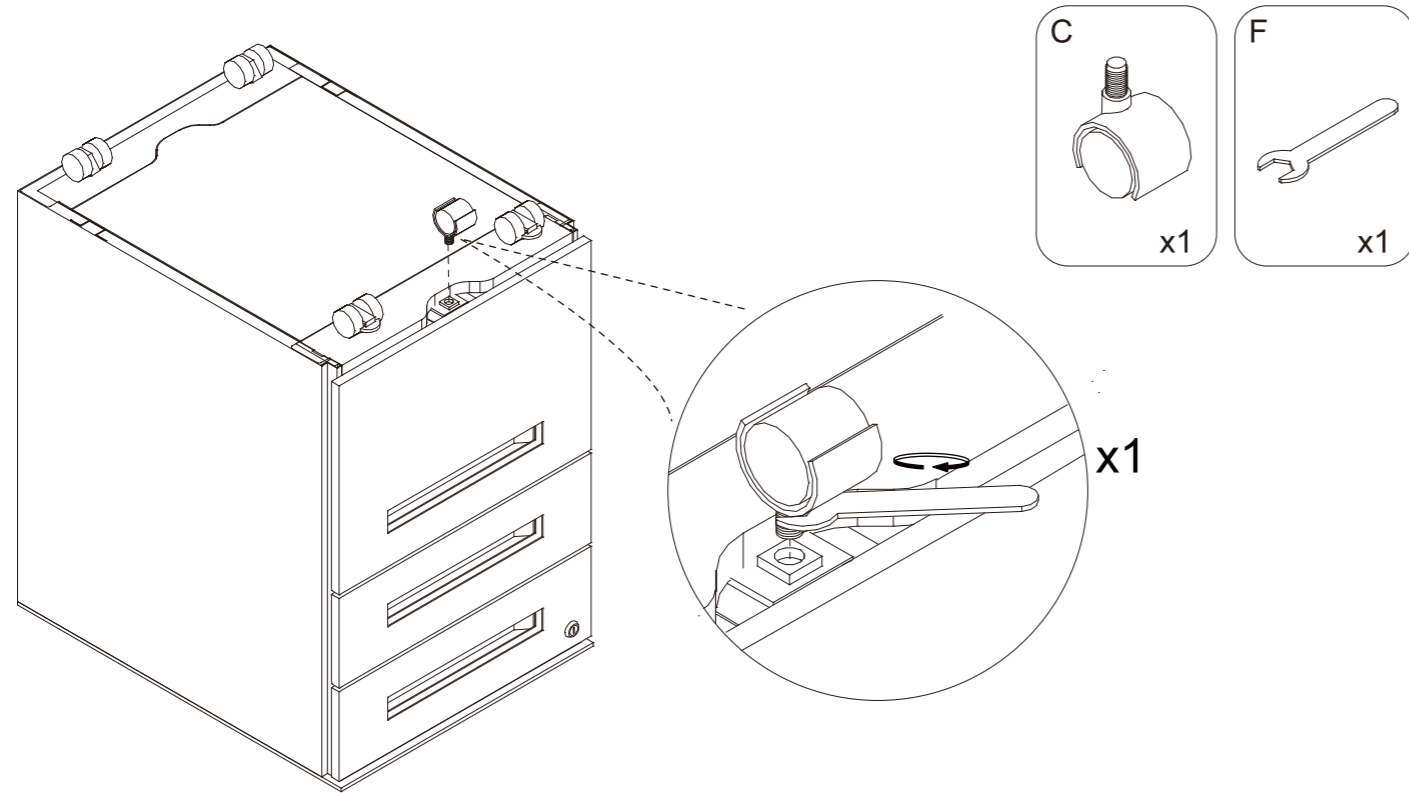
# Step 1



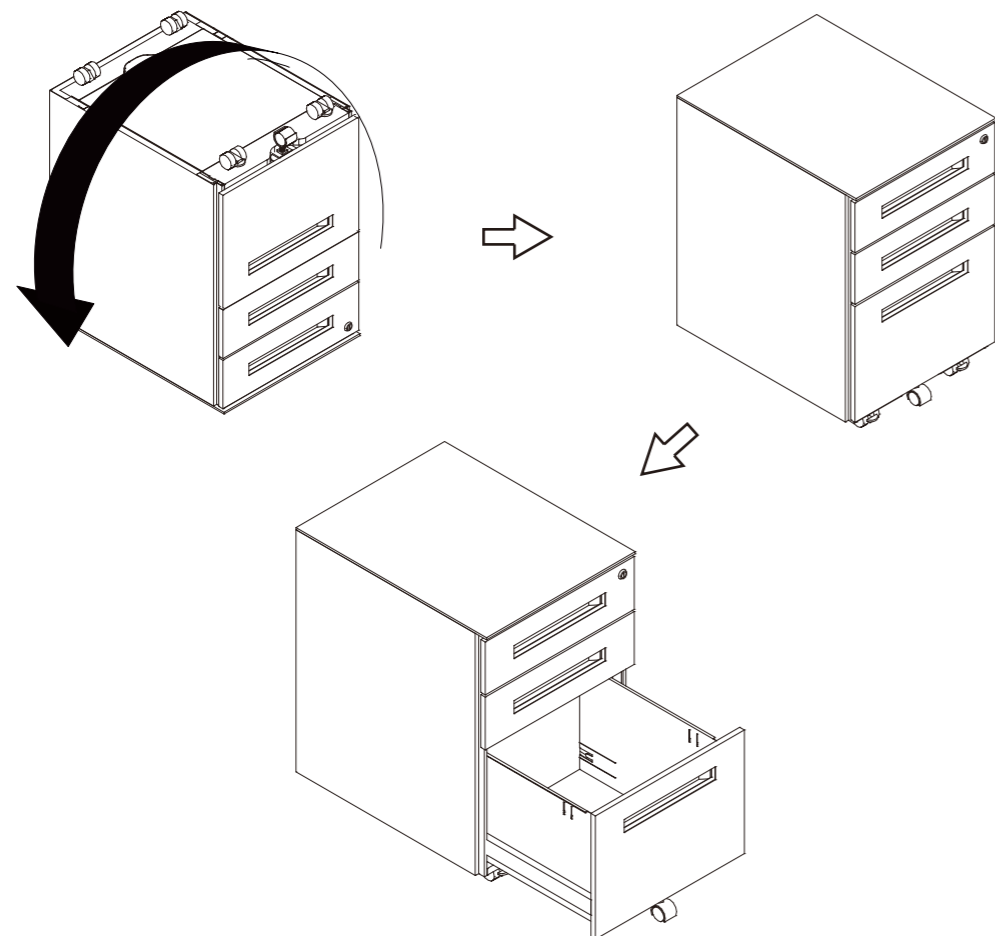
# Step 2



### Step 3

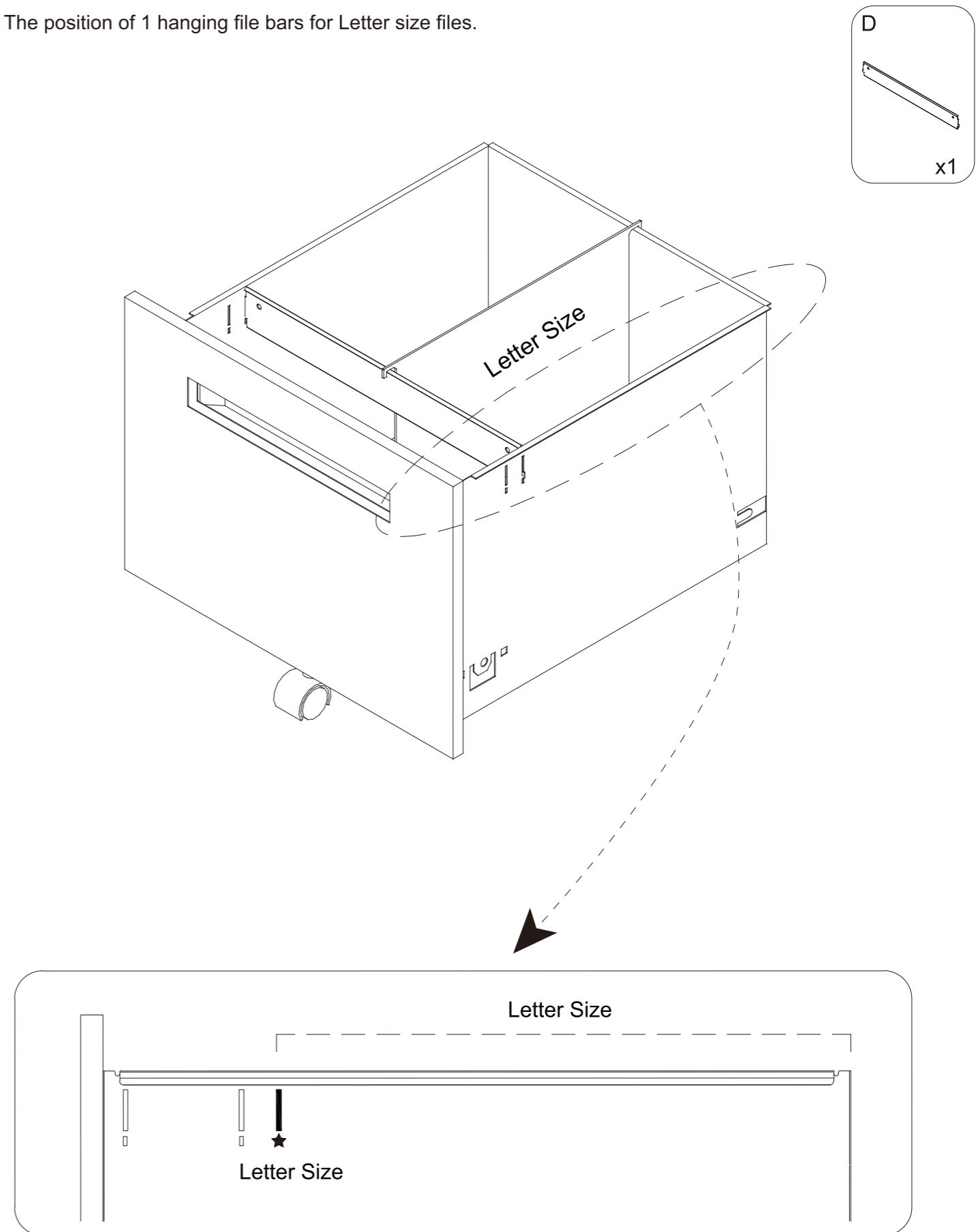


### Step 4



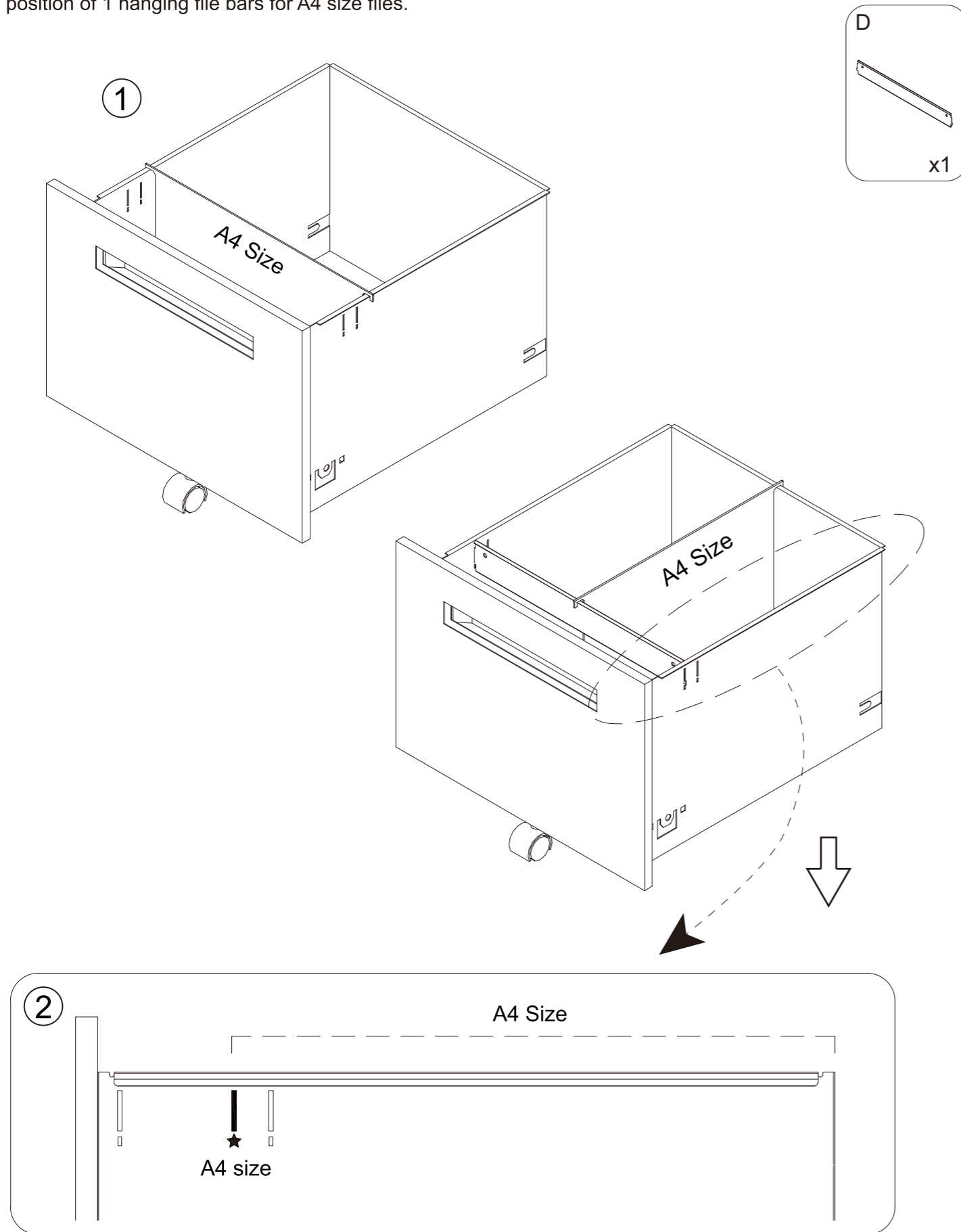
### Step 5

The position of 1 hanging file bars for Letter size files.



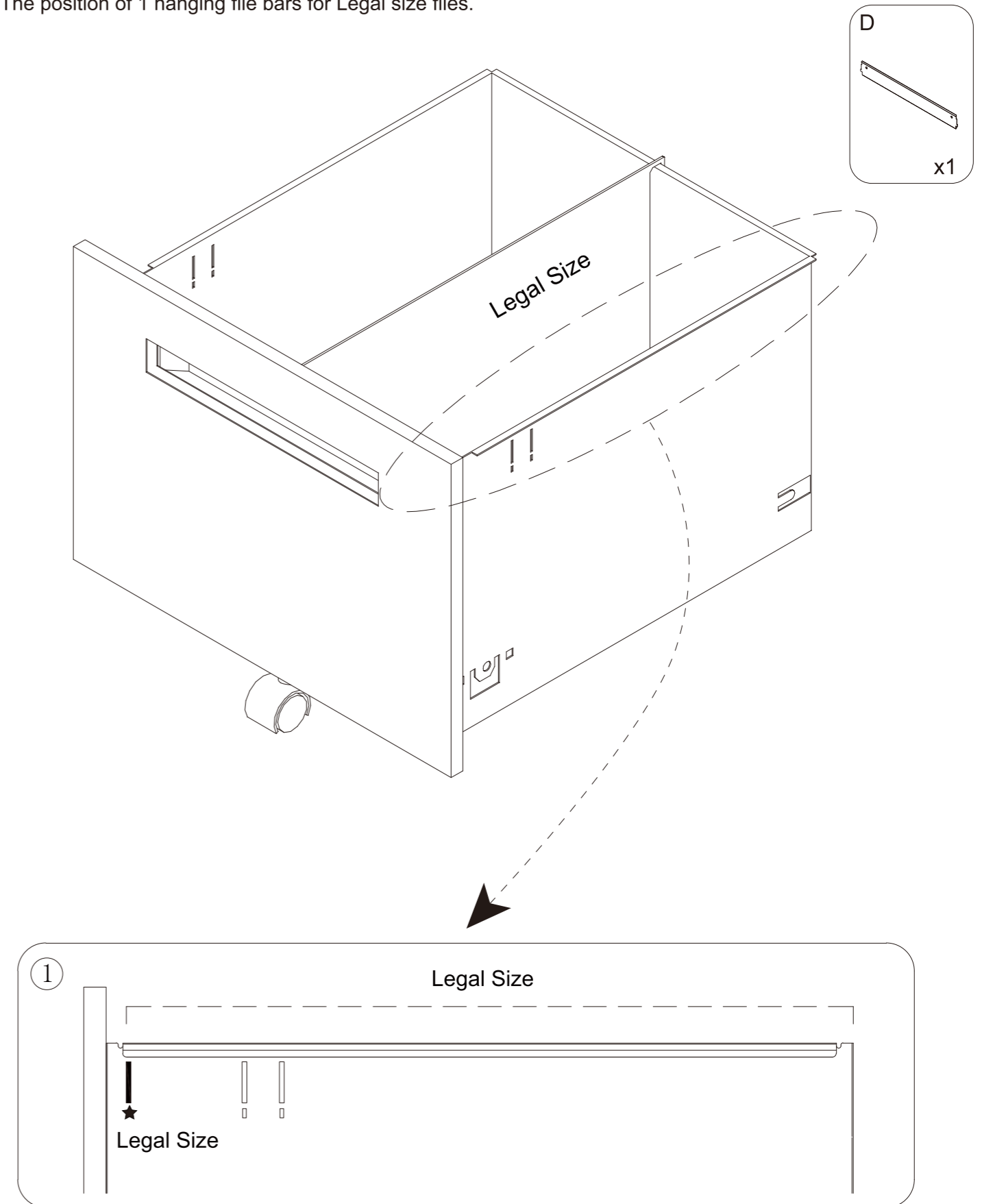
## Step 6

The position of 1 hanging file bars for A4 size files.



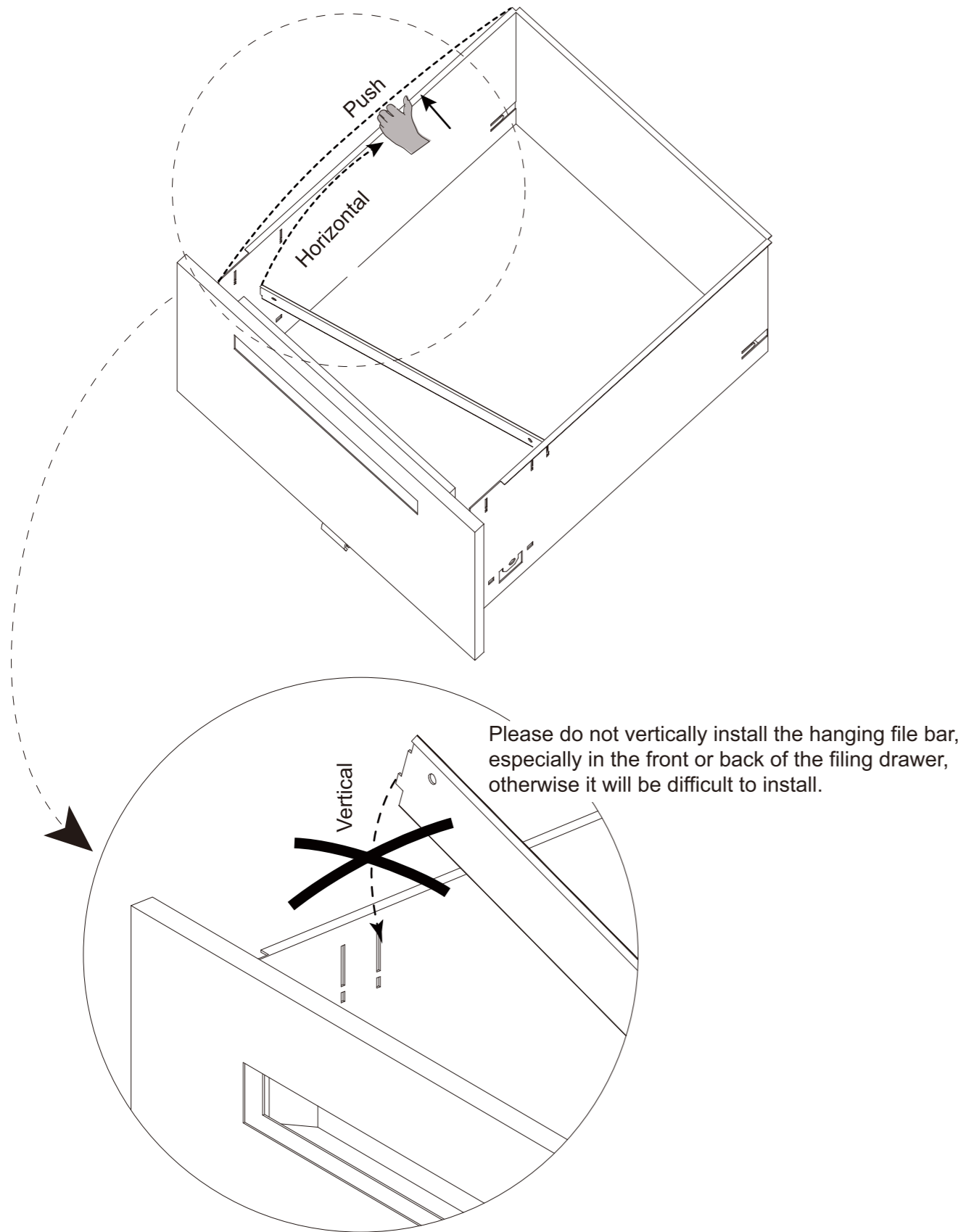
## Step 7

The position of 1 hanging file bars for Legal size files.



## REMARK

Install or adjust the hanging file bar, please follow the below method.



Made in ChRL for  
**DMTrade Mikołaj Tomaszewski**  
Wiśniowa 36, 64-000 Kościan, Poland

NIP: PL6981681757  
email: sklep@dmtrade.pl  
phone #1: +48 661 082 052  
phone #2: +48 726 082 052

[www.ergoline.spacetronek.eu](http://www.ergoline.spacetronek.eu)