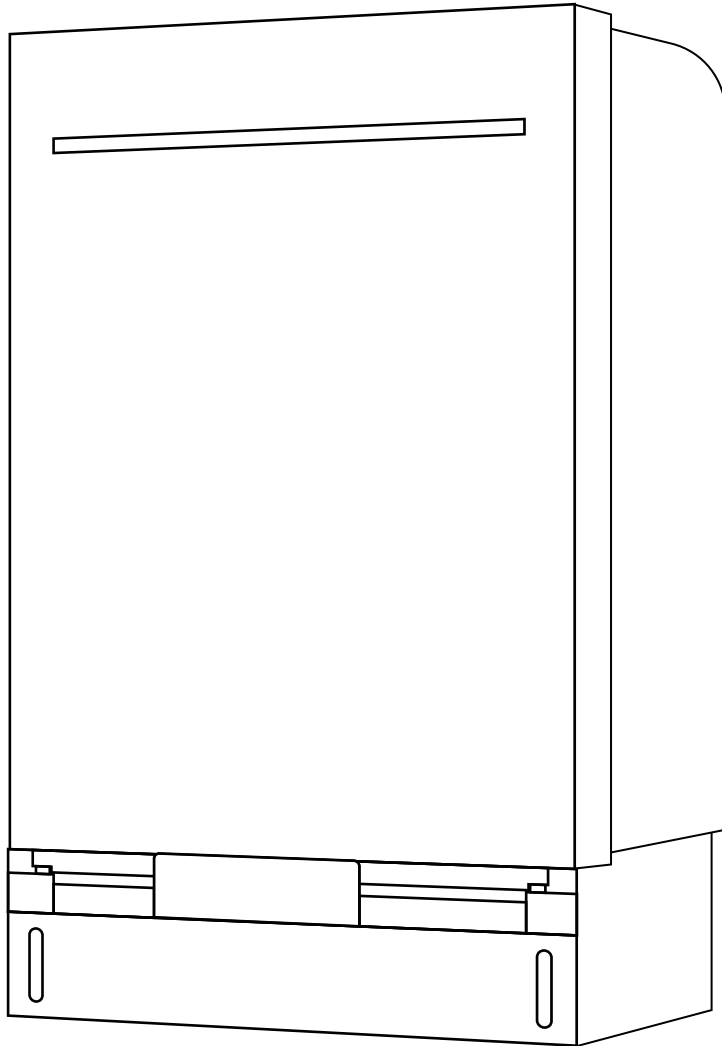


Honeywell

18" Stainless Steel Dishwasher User Manual

Read and save these instructions before use



WQP8-7714D-US

CONTENTS

1	Important Safety Instructions	
1.1	Proper installation	1
1.2	Basic precautions before use	2
2	Installation Introduction	
3	Features of Your New Dishwasher	
3.1	Components	4
3.2	Filter System	5
3.3	Smart Wash System	5
4	Operating Instructions	
4.1	Start/Cancel	7
4.2	Wash Cycle Selections	7
4.3	Delay	7
4.4	Display Window	7
4.5	Status Indicators	8
4.6	Options	8
4.7	Status Window	8
4.8	Error Indication	8
4.9	Cycle Chart	9
5	User Maintenance	
5.1	Cleaning the Exterior	10
5.2	Cleaning the Interior	10
5.3	Cleaning the Filters	10
6	Troubleshooting	
6.1	Error Codes	15
7	Technical Information	

1 IMPORTANT SAFETY INSTRUCTION



WARNING: For your safety, please follow the information in this manual to minimize the risk of fire, explosion, electric shock and to help prevent property damage or personal injury.

1.1 Proper Installation

Please install your dishwasher properly by following the installation guide.

- Water supply inlet temperature should be between 120°F and 149°F.
- Dispose of discarded appliances and packing materials properly.
- The dishwasher must be properly grounded, or it can result in a risk of electric shock. PERMANENTLY CONNECTED and CORD-CONNECTED are both allowed.
- If there is any damage to the Dishwasher, please contact to your Dealer, do not to attempt to repair or replace any parts by yourself.

1.2 Basic Precautions Before Use

- Read all instructions before using the dishwasher.
- The manual does not cover every possible condition and situation that may occur.
- Use the dishwasher only for its intended function as described in this manual.
- When loading items to be washed, arrange sharp items and knives so that they are not likely to damage the door seal and tub. Load these items with the handles upright in order to reduce the risk of personal injury.
- Do not wash plastic items unless they are marked dishwasher safe. If they are not marked, check with the manufacturer for recommendations. Items that are not dishwasher safe may melt and create a potential fire hazard.
- If the dishwasher drains into a food disposer, make sure the disposer is completely empty before running the dishwasher.
- Do not tamper with controls.
- Do not operate your dishwasher unless all enclosure panels are properly placed.
- Do not touch the heating element during or immediately after use, especially if the sanitize option has been selected.
- To reduce the risk of injury, do not allow children to play in or on a dishwasher.

- Do not let children hit, sit or stand on door or racks of the dishwasher.
- Under certain conditions, hydrogen gas may be produced in a hot water system that has not been used for two weeks or more. HYDROGEN GAS IS EXPLOSIVE. If the hot water system has not been used for such a period, before using the dishwasher, turn on all hot water faucets and let water flow for several minutes. This will release any accumulated hydrogen gas. Hydrogen gas is flammable. Do not smoke or use an open flame during this time.
- Do not store or use combustible materials, gasoline or other flammable vapors and liquids in the vicinity of this or any other appliance.
- Use only detergents or rinse agents recommended for use in a dishwasher and keep them out of the reach of children.
- Keep young children and infants away from dishwasher while it is operating.
- Do not use the dishwasher if it has a damaged power line or plug, and do not plug the dishwasher into a damaged outlet. Failure to observe these instructions may result in electrical shock.
- Remove the door to the washing compartment when removing an old dishwasher from service or discarding it.

SAVE THESE INSTRUCTIONS

2 INSTALLATION INTRODUCTION



BEFORE YOU BEGIN Read these instructions completely and carefully.

IMPORTANT Observe all governing codes and ordinances.

NOTE TO INSTALLER Be sure to leave these instructions for the consumer's and local inspector's use.

NOTE TO CONSUMER Keep these instructions with your Owner's Manual for future reference.

SKILL LEVEL Installation of this dishwasher requires basic mechanical and electrical skills. Proper installation is the responsibility of the installer. Product failure due to improper installation is not covered under the Appliance Warranty.

COMPLETION TIME 1 to 3 Hours. New installations require more time than replacement installations.

IMPORTANT The dishwasher **MUST** be installed to allow for future removal from the enclosure if service is required. If you received a damaged dishwasher, you should immediately contact your dealer or builder.

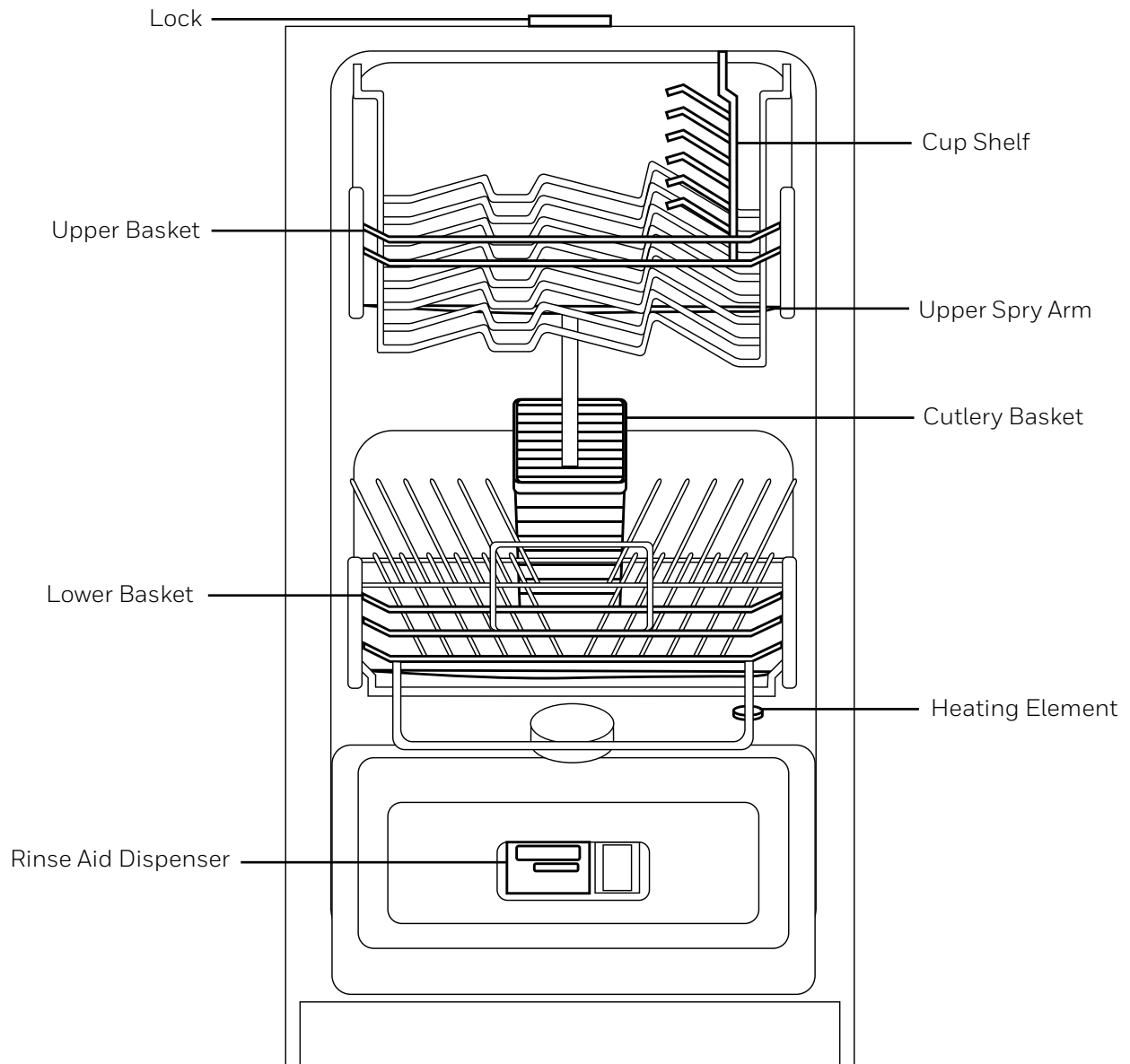
FOR YOUR SAFETY Read and observe all **CAUTIONS** and **WARNINGS** shown throughout these instructions. While performing installations described in this booklet, gloves, safety glasses or goggles should be worn.

WARNING To reduce the risk of electrical shock, fire, or injury to persons, the installer must ensure that the dishwasher is completely enclosed at the time of installation.

READ CAREFULLY. KEEP THESE INSTRUCTIONS. If you have an installation problem, contact your dealer or installer. You are responsible for providing adequate electrical, exhausting and other connecting facilities.

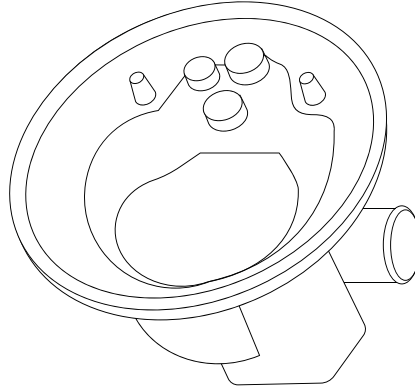
3 FEATURES OF YOUR NEW DISHWASHER

3.1 Components



3.2 Filter System

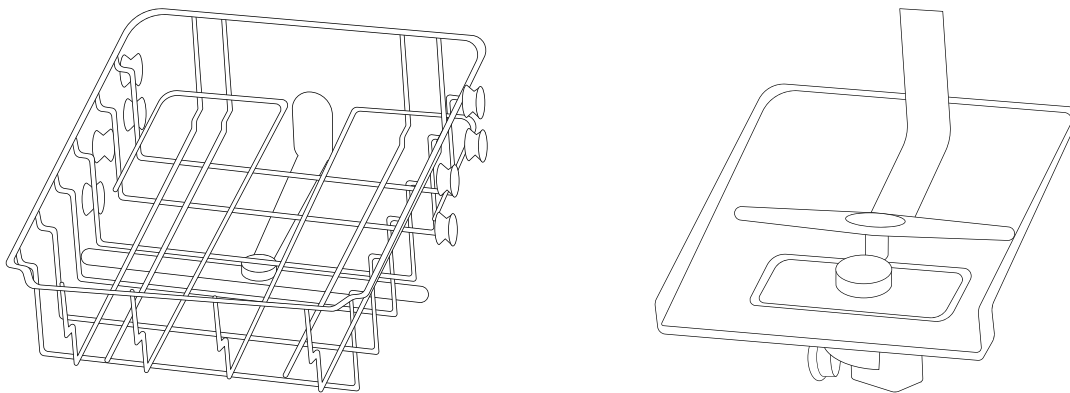
Your dishwasher has a multiple Filter System. In the System there are three mesh filters. It can separate soiled water and clean water in different chambers.



The multiple filter system helps your dishwasher to get better performance with less water and less energy.

3.3 Smart Wash System

Your dishwasher has Smart Wash System. When a partial load of lightly soiled dishes is placed in the unit, a wash cycle similar to a short wash will automatically be performed. When a full load of heavily soiled dishes is placed in the unit, a heavy wash cycle will automatically be performed. It can determine the type of cycle required to clean the dishes and will clean more efficiently every time.



How Your Dishwasher Cleans

Your dishwasher cleans by spraying a mixture of hot water and detergent through the spray arms against soiled surfaces.

The dishwasher fills with water covering the filter area. Water is then pumped through the multiple filter and spray arms. Separated soil particles go down the drain as the water is pumped out and replaced with clean water.

The number of water fills will vary with the cycle being used.

Getting Started

01 Load the dishwasher. (See Dish Preparation and Loading sections)

02 Add detergent. (See Filling the Detergent Dispenser)

03 Add rinse aid. (See Filling the Rinse Aid Dispenser)

04 Select desired CYCLE. (See Cycle Chart)

05 Select desired OPTIONS (See Control Panel). The indicator light above the pad will glow when selected.

06 Run the hot water faucet nearest the dishwasher until the water is hot, then turn it off.

07 To start, press Start/Cancel. (See Control Panel) Then close door.

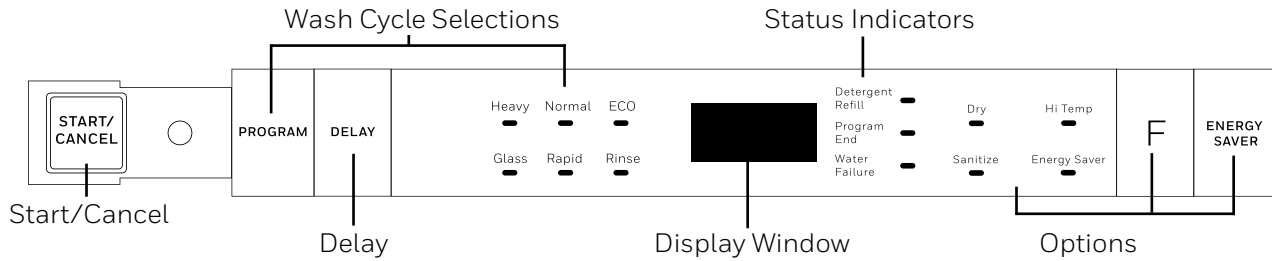
NOTE This model is embedded operation, all buttons can only be operated in the open state.

Wash Cycle Selections

Cycle times are approximate and will vary with the options selected. Hot water is necessary to activate the detergent and melt fatty food soils. An automatic sensor will check the incoming water temperature. If it is not at the appropriate temperature the timer will delay the cycle to allow automatic water heating during the main wash. When the HI-TEMP wash is selected an even higher temperature will be assured to handle heavier soil loads.

4 OPERATING INSTRUCTIONS

Control Panel



4.1 Start/Cancel

Open the door to select the desired cycle and options, touch the Start/Cancel button and close the door within 4 seconds to start the cycle or begin the delay countdown.

To cancel and reset the program during the cycle, open the door, and touch Start/Cancel for 3 seconds. Close the door and dishwasher will start a 60 second drain.

4.2 Wash Cycle Selections

PROGRAM BUTTONS Touch to select the program, corresponding indicator will be lightened.

HEAVY This cycle is for hard-to-clean, heavily soiled dishes, pots, pans, and dishes.

NORMAL This is standard program. It is for regularly soiled dinner dishes or silverware.

ECO It is suitable to clean normally soiled tableware and it is the most efficient program in terms of its combined energy and water consumption for that type of tableware.

GLASS For lightly soiled loads, such as glasses, crystal and fine china.

RAPID A shorter wash for lightly soiled loads that do not need drying.

RINSE Use for rinsing dishes, glasses and silverware that will not be washed right away.

4.3 Delay

To delay the start of a selected cycle, press the Delay Start pad until the desired delay time shows in the LED display. You can delay the start for 1 to 24 hours. To cancel the delay start option before the delay period is over, press the Start/Cancel pad for 3-5 seconds.

4.4 Display Window

This displays the remained hours and minutes of the running cycle, delay hours and error codes etc.

4.5 Status Indicators

- Rinse Deterfent needs to be refilled.
- Program end.
- Water failure, faucet is not open.

4.6 Options

HEATING DRY When the “Heating Dry” function is selected, the heater will work during the drying process.

The Heating Dry option is not available with “Rinse” cycles.

SANITIZE When the “Sanitize” function is selected, the temperature of water will be maintained at 69°C(156.2°F) max. The max temperature may not be reached if the incoming water temperature is not correct. Certified residential dishwashers are not intended for licensed food establishments.

The Sanitize option is available with “Heavy” “Nomal” and “ECO” cycles.

HI TEMP When the “Hi Temp Wash” function is selected, the temperature of the water will be maintained at 60°C (140°F) max.

The Hi Temp option is available with “Heavy” “Normal” “ECO” and “Glass” cycles.

ENERGY SAVE When the “Energy Save” function is selcted, energy consumption will be reduced during washing process.

The Energy Save option is available with “Heavy” and “Normal” cyles.

4.7 Status Window

H:01-H:24 If the Delay Start option is selected, the number of delay start hours shows in the Status Window.

2:15-0:00 After the machine works, the remaining time of the cycle that have been selected will be showed in the Status Window.

4.8 Error Indication

In certain situations which are critical to the machines function and safe operation, the control shall shut down and indicate an error code (See Error Codes on page 18).

If Error codes are displayed, contact the dealer or servicer. They will be able to provide assistance in trouble shooting the problem and or locate an authorized service technician if needed.

NOTE The remaining time could suddenly increase or drop several minutes. This means the Smart Sensor has checked the soil level and determined if additional water fills are needed or if water fills can be deleted.

4.9 Cycle Chart

Program	Cycle Description	Water (L)	Cycle Time (min)
Heavy Wash	Pre Wash Main Wash (60°C) Rinse(65°C) Rinse (with Sani 69°C) Drying	19.7	155
Normal Wash	Pre Wash Main Wash (50-55°C) Rinse(58-60°C) Rinse (with Sani 69°C) Drying	9.5~18.5	105~135
ECO	Pre Wash Main Wash (50-55°C) Rinse(58-60°C) Rinse (with Sani 69°C) Drying	15.5	105
Glass	Pre Wash Main Wash (48-50°C) Rinse(50-55°C) Drying	15.5	95
Rapid	Pre Wash Main Wash (48-50°C) Rinse(50-55°C)	12.5	60
Rinse	Pre Wash Main Wash	6.7	20

5 USER MAINTENANCE

Keeping your dishwasher clean improves its performance, reduces unnecessary repairs, and lengthens its life.

5.1 Cleaning the Exterior

It's best to clean spills on the outside of your dishwasher as they occur. Use a soft, damp cloth on the control panel to gently wipe away spills and dust. Do not use benzene, wax, thinner, chlorine bleach, or alcohol. These materials may discolor the inner walls and cause stains. Do not clean the dishwasher by sprinkling water over it and avoid letting water come into contact with any of the electrical parts.

NOTE If your dishwasher has a stainless steel door panel, you can clean it with a stainless steel cleaner for home appliances or a similar product using a clean, soft cloth.

5.2 Cleaning the Interior

Clean the interior of your dishwasher periodically to remove any dirt or food particles. Wipe the inside of the dishwasher and the inner part of the door with a wet dishcloth. We recommend filling the detergent dispenser with dish detergent, and then running the dishwasher empty periodically using either the Normal or Express 60 cycle with the sanitize option. This will keep your dishwasher clean.

If white spots and odor are still present in your dishwasher, run the Normal cycle with the dishwasher empty and without detergent until it finishes. Then, interrupt the cycle and put an 8 ounce cup of white vinegar into the lower basket. Close the dishwasher and let the cycle finish.

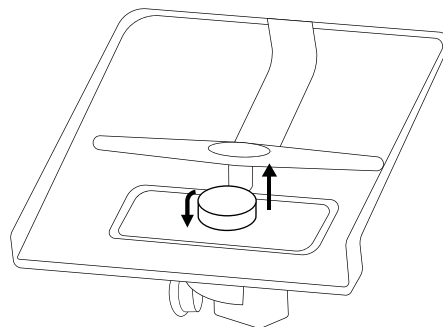


CAUTION Do not remove the tub front seal. (The long rubber seal enclosing the opening of the dishwasher.)

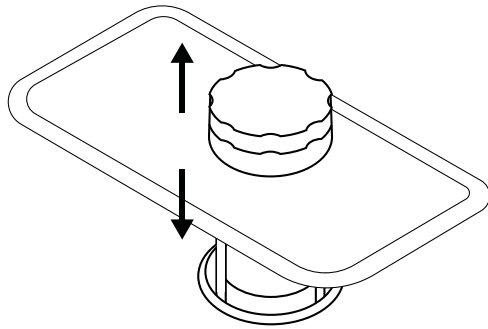
Do not touch the heating element during or immediately after use.

5.3 Cleaning the Filters

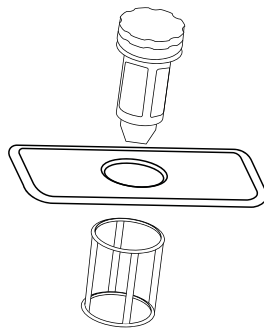
01 Turn off the dishwasher.



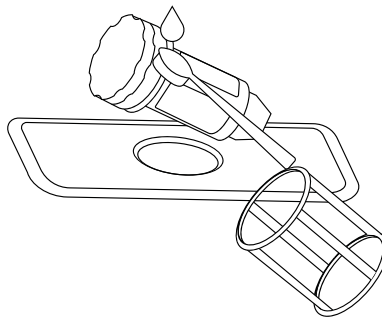
02 Rotate the filter insert counterclockwise to unfasten and detach the filter insert.



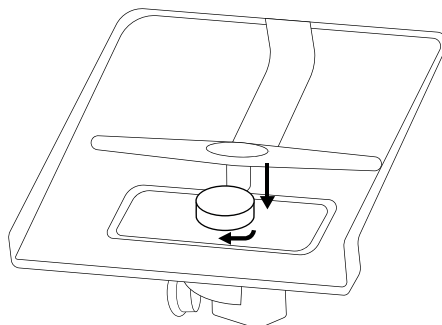
03 Remove the fine filter. (flat rectangle)



04 Remove any dirt or other remains from the filters, and then rinse them under running water.



05 Reassemble the filters in the reverse order of the disassembly, replace the filter insert, and rotate clockwise to the close arrow.



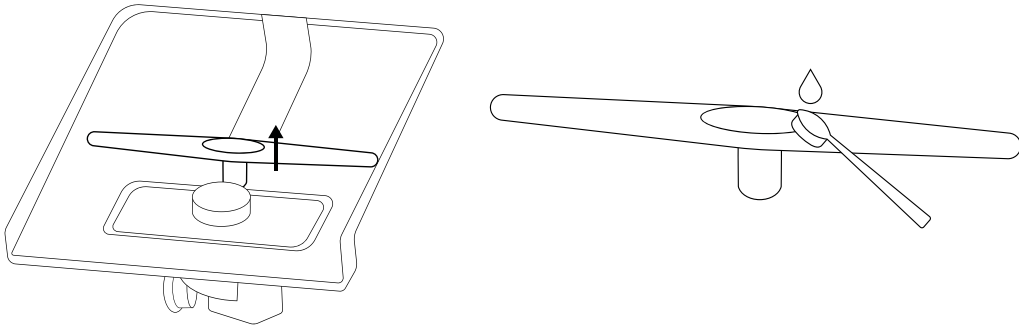
CAUTION If the filter is not closed properly, its performance will be decreased.

Cleaning the Nozzles

If your dishwasher does not seem to be cleaning adequately or the nozzles seem clogged, you can clean each of the nozzles. When removing the nozzles, take care as they may break.

Lower Nozzle

- 01** Check whether the nozzle holes are clogged by food particles.
- 02** If cleaning is needed, remove the nozzle by pulling it upwards.
- 03** Clean the nozzle, and then push it back into place.
- 04** Check whether the nozzle is engaged correctly by rotating it by hand.



6 TROUBLESHOOTING

Before Calling for Service

Problem	Possible Cause	Solution
Dishwasher won't start	<ul style="list-style-type: none"> Door may not be closed properly Power supply or power line is not connected Delay Start option has been selected Child Lock activated 	<ul style="list-style-type: none"> Shut the door completely, make sure it is latched Check and connect the power supply, refer to this manual to reset Deactivate the Child Lock, refer to Child Lock section in this manual
Dishwasher beeps at the end of cycle	It indicates the wash cycle finished, the dishwasher will beep	
Rinse Aid light on	The Rinse Aid level is low	Add Rinse Aid
Dishwasher operates too long	<ul style="list-style-type: none"> The dishwasher is connected to cold water The cycle time will vary due to the soil The Sanitize option is selected 	<ul style="list-style-type: none"> Check the dishwasher, make sure it is connected to the hot water supply When heavy soil is detected the Auto, Normal, Heavy Wash cycle will automatically increase the cycle time When Sanitize option is selected, the cycle time will increase to meet the sanitized temperature request
Dishes are not clean enough	<ul style="list-style-type: none"> Water pressure is temporarily low The inlet water is low Dishes are loaded too close together Improper use of detergent The selected cycle is not suitable for food soil condition Spray arms are blocked by items 	<ul style="list-style-type: none"> Use dishwasher when water pressure is normal Make sure dishwasher is connected to hot water supply, try not to use dishwasher when hot water is being used elsewhere Load dishes again as the manual introduced Add detergent depending on the water hardness and the cycle chosen, use fresh detergent Choose another cycle for longer washing time Make sure the spray arm is rotated fluently
Dishes are not drying enough	<ul style="list-style-type: none"> Detergent dispenser is empty Improper loading of dishes The cycle you chose did not include drying 	<ul style="list-style-type: none"> Fill Rinse Aid Dispenser or increase amount of Rinse Aid Load the dishes again as indicated Choose the proper cycle with drying

Problem	Possible Cause	Solution
Spots and filming on dishes	Water hardness is too high Improper loading of dishes Old or damp powder Rinse Aid is used Rinse Dispenser empty	For extremely hard water, install a water softener Load the dishes again as indicated Use fresh Rinse Aid Add Rinse Aid to the Dispenser
Etching	Using too much detergent The inlet water temperature exceeds 150°F	Use less detergent if you have soft water etching Lower the inlet water temperature
Detergent left in dispenser cup	Detergent may be too old Spray arm is blocked	Use fresh detergent Load the dishes making sure the spray arms aren't blocked
Detergent dispenser will not shut	Improper orientation of the detergent cover	Add detergent and rinse aid as indicated by this manual
Water remains in the dishwasher	Previous cycle has not finished or has been interrupted	Select the proper cycle as introduced by the manual
Dishwasher does not drain properly	Drain is clogged Drain hose is bent	Check the air gap if you have Make sure the disposer is empty if the dishwasher is connected to the disposer Make sure the drain hose is properly connected to the sink
Suds in the tub	Improper detergent is used	Make sure to use only the automatic dishwasher detergent
Dishwasher leaks	Excessive suds caused by using improper detergent Dishwasher is not level	Make sure to use only the automatic dishwasher detergent Level the dishwasher (see manual)
Black or gray marks on dishes	Aluminum utensils have rubbed against dishes	Choose a higher cycle Make sure the inlet water is no less than 120°F
Stained tub interior	Coffee and tea soil Reddish stain	Using a spot cleaner to remove the soil Some tomato based food will cause this, use of the rinse only cycle right after loading this will decrease the staining

Problem	Possible Cause	Solution
Noises	Detergent cup opening/Drain pump sound A hard object has entered the wash module. When the object is ground up, the sound should stop	This is normal If the noise persists after a complete cycle, call for service
Dishwasher won't fill	Water valve is turned off Door latch may not be properly sealed	Check if the water valve is turned on Make sure the door is closed

6.1 Error Codes

When some malfunctions come on, the appliance will display error codes to warn you:

Codes	Meanings	Possible Causes
E1	Longer inlet time	Faucets are not opened, or water intake is restricted, or water pressure is too low
E4	Overflow	Some element of dishwasher leaks
E8	Improper orientation of distributary valve	Open circuit or break of distributary valve
E9	Keep touching a button more than 30 seconds	Water or something on the button

If overflow occurs, turn off the main water supply before calling service.



If there is water in the base pan because of an overflow or small leak, the water should be removed before restarting the dishwasher.

7 TECHNICAL INFORMATION

Capacity	8 place settings
Dimension	17.6" x 21.7" x 32.4" (W x D x H)
Power Supply	120 volts, 60Hz
Rated Power Usage	Wash Motor 100W, Heater 700W
Water Feed Pressure	5.8 ~ 145 psi (0.04 ~ 1MPa)

If you want to return or replace the product, please contact the store where it was purchased (remember to bring the purchase invoice). If your product needs repair, please contact us via email or phone.

BHRS Group, LLC

585 Prospect St.
Lakewood, NJ 08701

Customer Service Tel: 1-800-604-0295
Customer Service Email: support@honeywellappliances.com
Website: honeywellappliances.com

©2021 BHRS Group, LLC. All Rights Reserved.

The Honeywell Trademark is used under license from Honeywell International Inc. Honeywell International Inc. makes no representations or warranties with respect to this product. This product is manufactured by BHRS Group, LLC.

MADE IN CHINA

Honeywell