

burotic

Installation guide

Dual-Monitor Arm



Table of Contents

Caution	3
Parts and materials	4
Step 1 - Secure the arm to the work surface	5
Step 2 - Assemble the arms	5
Step 3 - Connect arms to monitors	6
Step 4 - Cable management	6
Arm adjustments	7
Need help?	8

Caution



Please follow each step in this guide to ensure that the dual-monitor arm is properly installed and supported.

This device contains high-pressure gas springs. To avoid injury, avoid high heat sources.

Confirm that the work surface is able to support the weight of the arm as well as the monitors before installation.

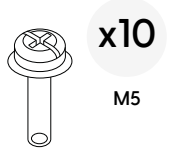
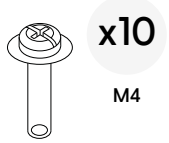
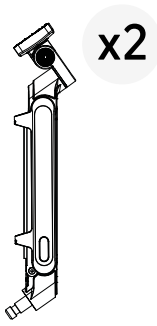
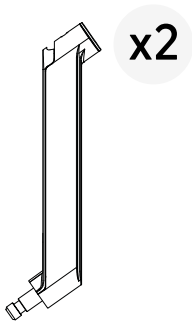
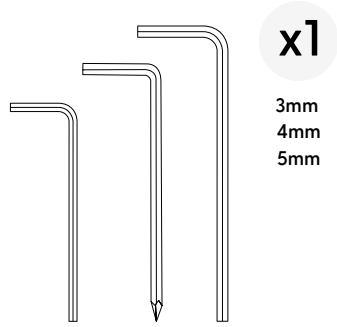
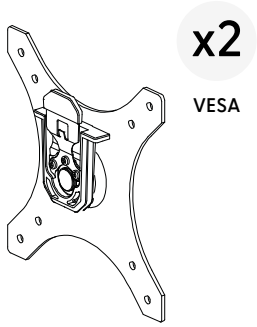
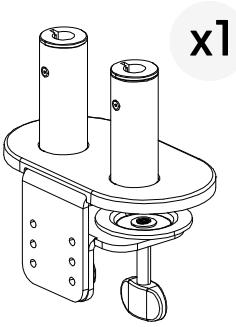
Please read the instructions before starting the installation.

Verify, using the illustrations below, that all components required for installation have been included in your order.

Do not discard the packaging until the product has performed satisfactorily.

For assembly assistance,
contact us at burotic.ca/chat,
call 1-844-287-6842
or email support@burotic.com

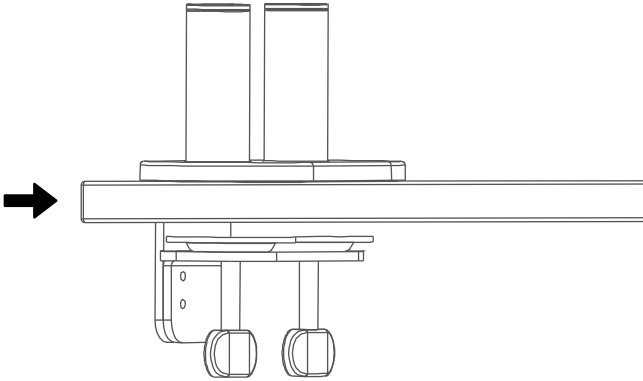
Parts and materials



Step 1

Secure the arm to the work surface

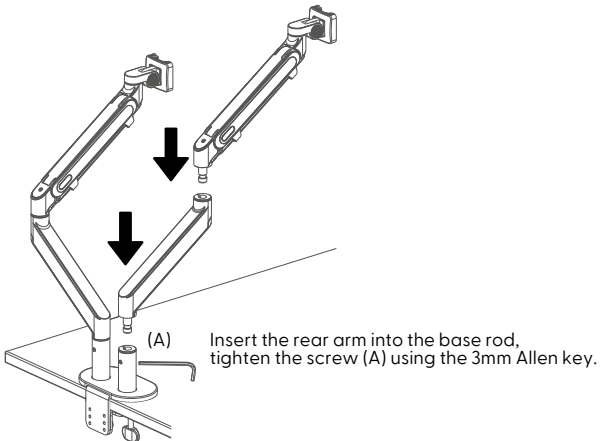
- Loosen the handles.
- Place the arm on the surface and tighten the handles.



Step 2

Assemble the arms

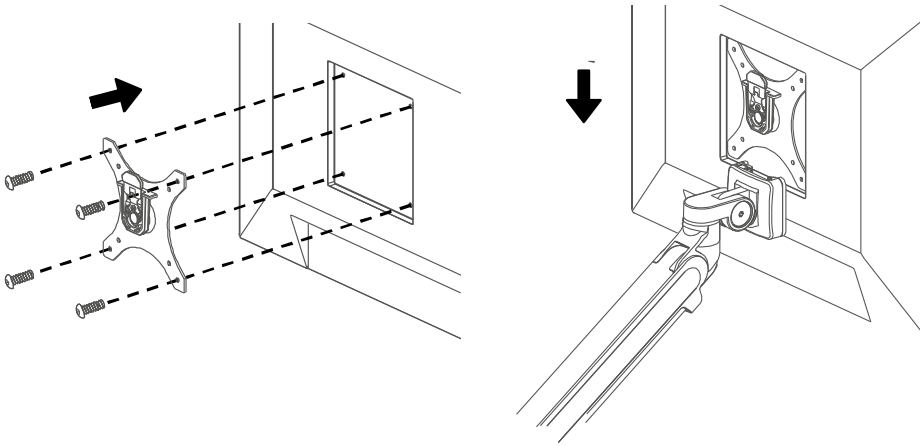
- Connect the front and rear arm sections together.
- Connect each arm to the base.
- Tighten the screws as shown in the figure below.



Step 3

Connect arms to monitors

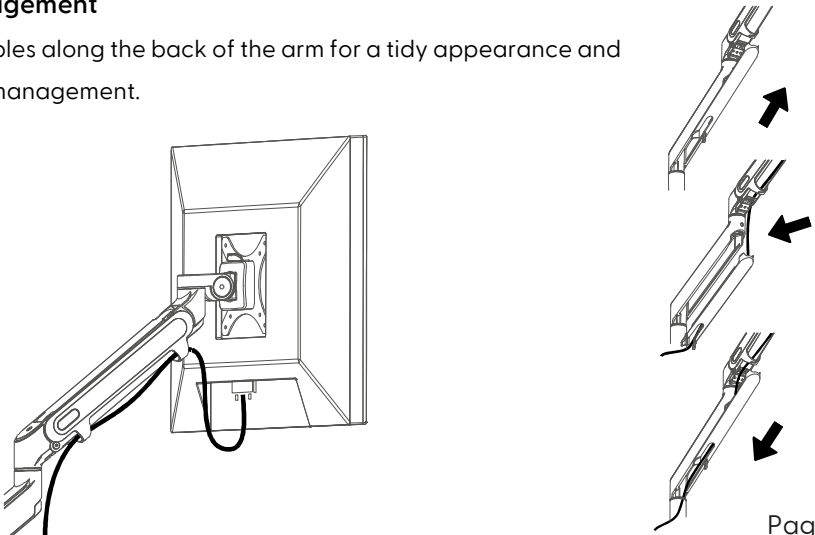
- Install a VESA plate on the back of each monitor using (4) M4 or M5 screws per monitor.
- Then connect the arms to the monitors by inserting the tip of the VESA plates inside the arms.
- To detach the monitors: open the levers of the VESA plates.



Step 4

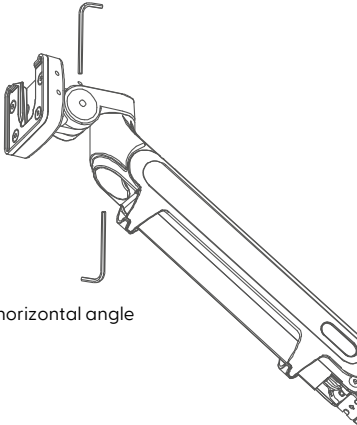
Cable management

Route the cables along the back of the arm for a tidy appearance and clean cable management.



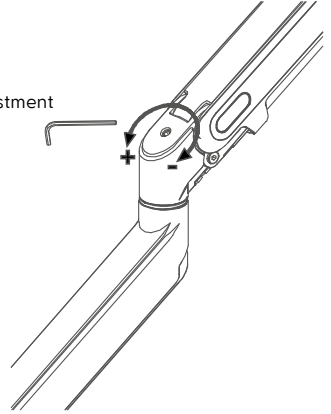
Arm adjustments

Adjust tilt angle

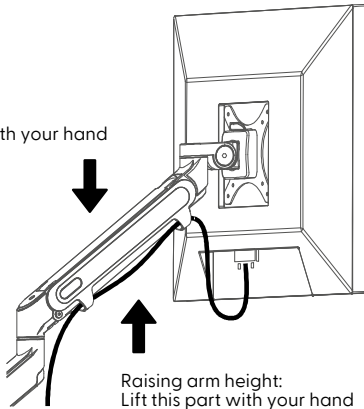


Adjust horizontal angle

Weight adjustment



Lower arm height:
Press on this part with your hand



Raising arm height:
Lift this part with your hand

Need help?

For assembly assistance, you can contact us by:

- *Live Chat:* burotic.com/chat
- *Phone:* [1-844-287-6842](tel:1-844-287-6842)
- *Email:* support@burotic.com



burotic

99 Emilien-Marcoux, Suite 107
Blainville, QC J7C 0B4
Canada

1-844-BUROTIC
support@burotic.com
burotic.com