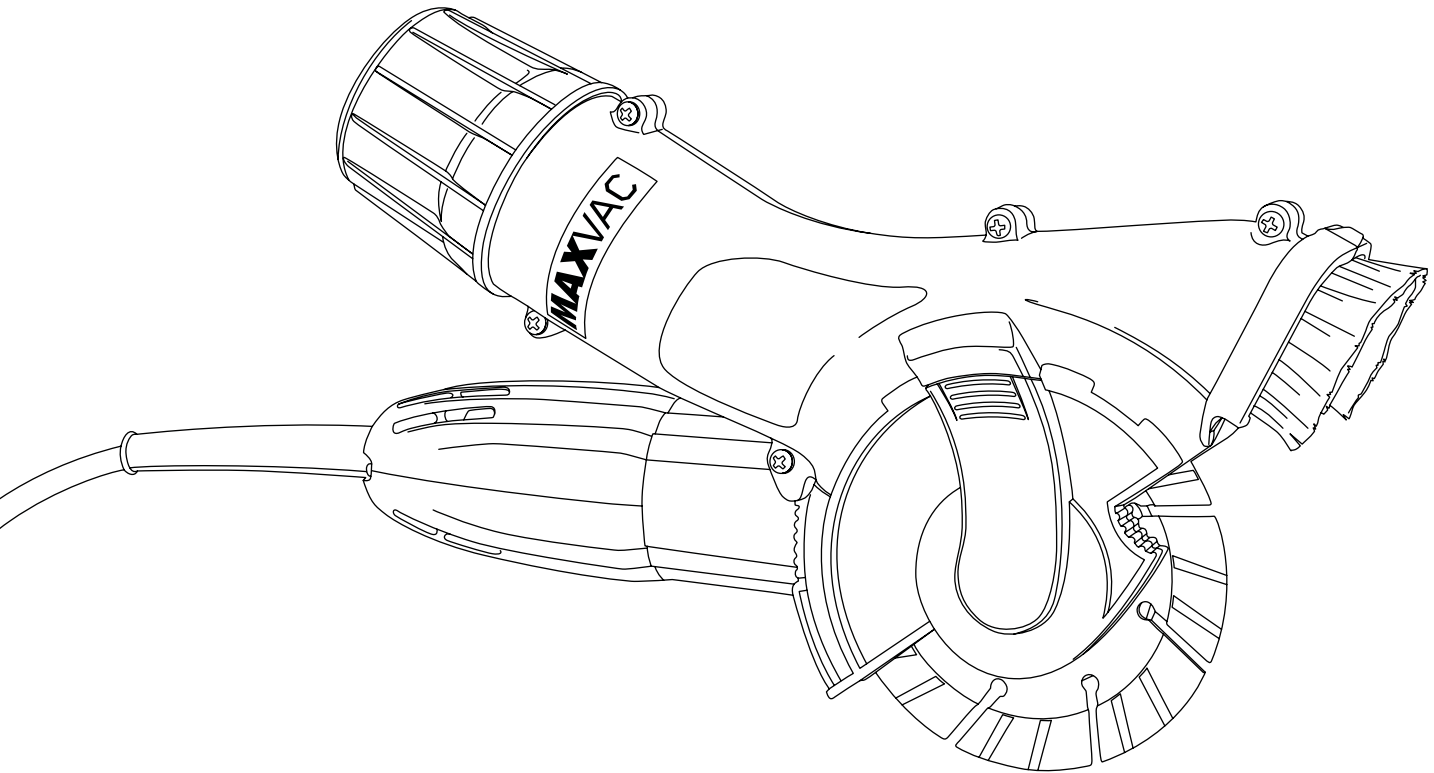
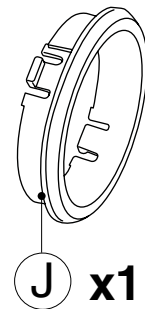
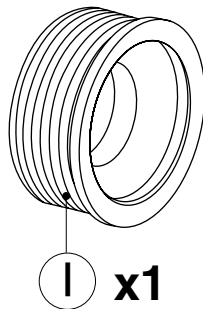
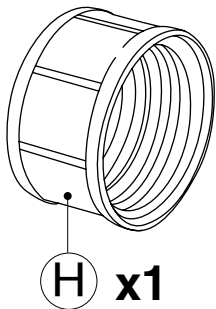
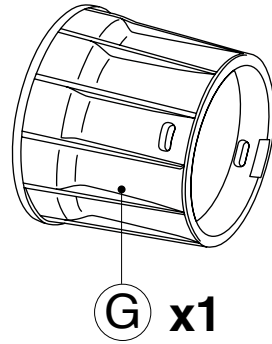
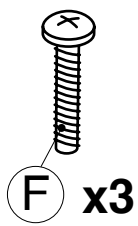
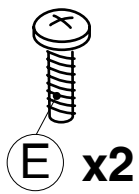
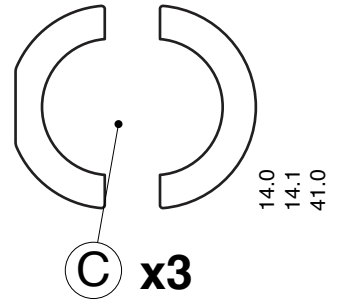
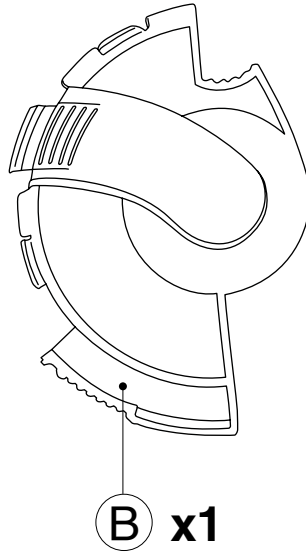
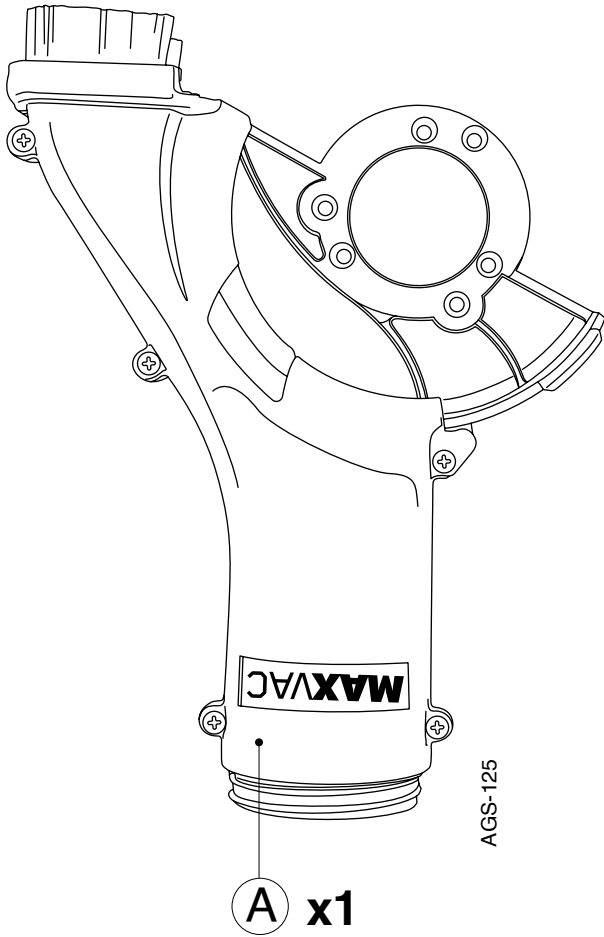




AGS-125

Installation Guide Milwaukee Grinders



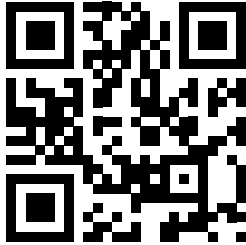
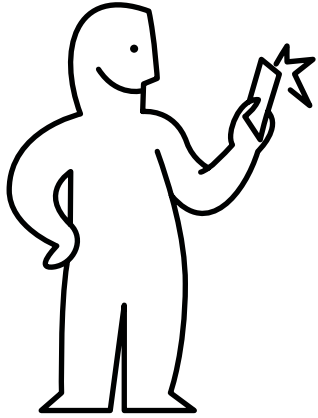


Check your grinder model below to see what Adaptor you will need.

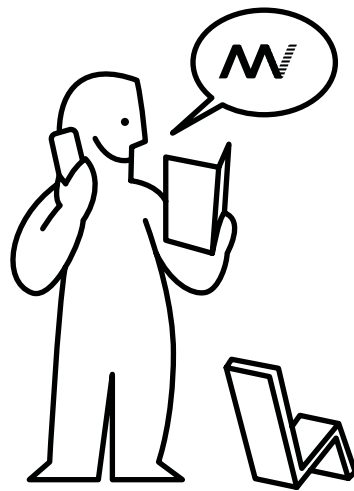
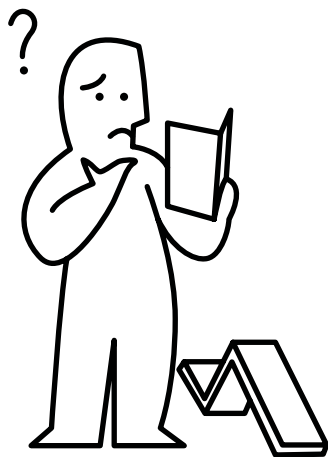
Model Number	Adaptor (C)
125 models post 2014	14.0
AG12-12SX	14.0
AG10 - 125 EK	14.1
M18 115XPDB	14.1
AG11-125	14.1
28 Volt Cordless	41.0

Different grinder models need different adaptors. Only 1 adaptor combination per machine. Please see above chart.

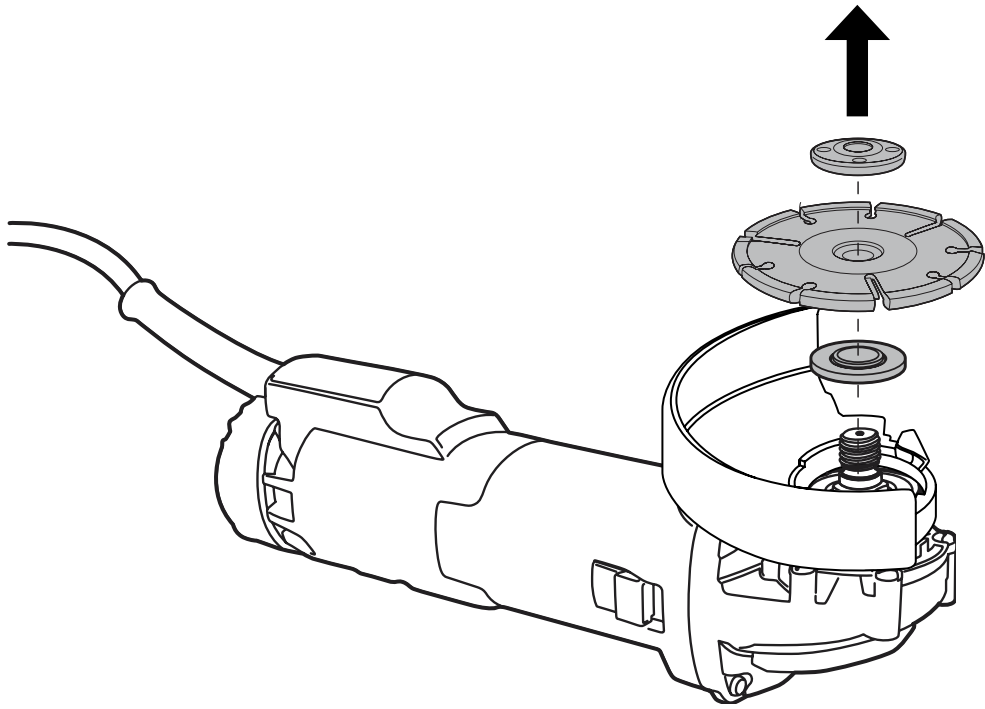
If your grinder model is not listed, please email your grinder brand & model number to sales@max-vac.com and we will confirm compatibility for you.



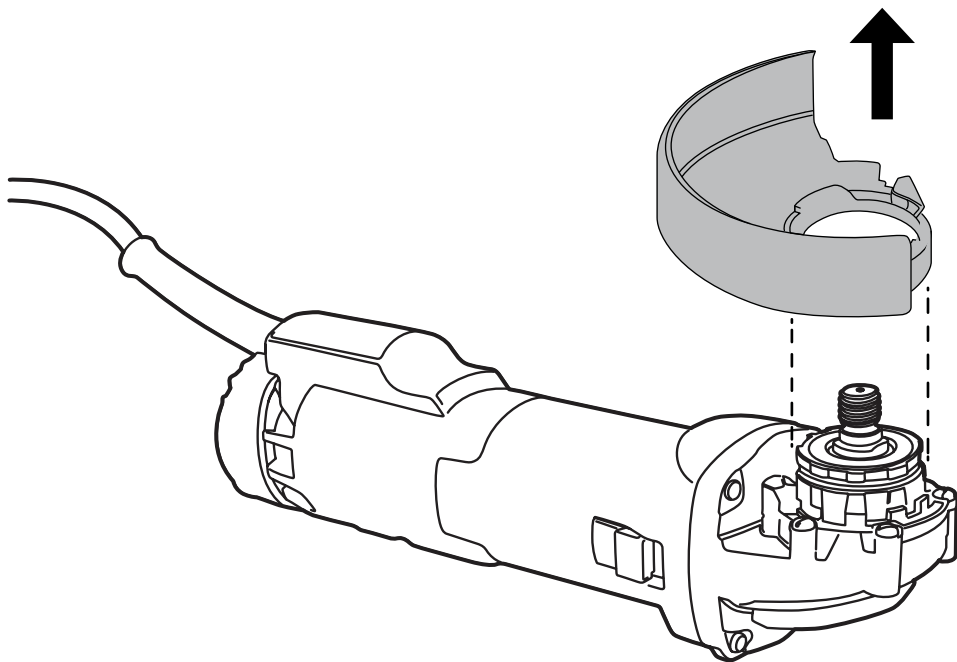
https://www.youtube.com/watch?v=MTNq_NxQi4s



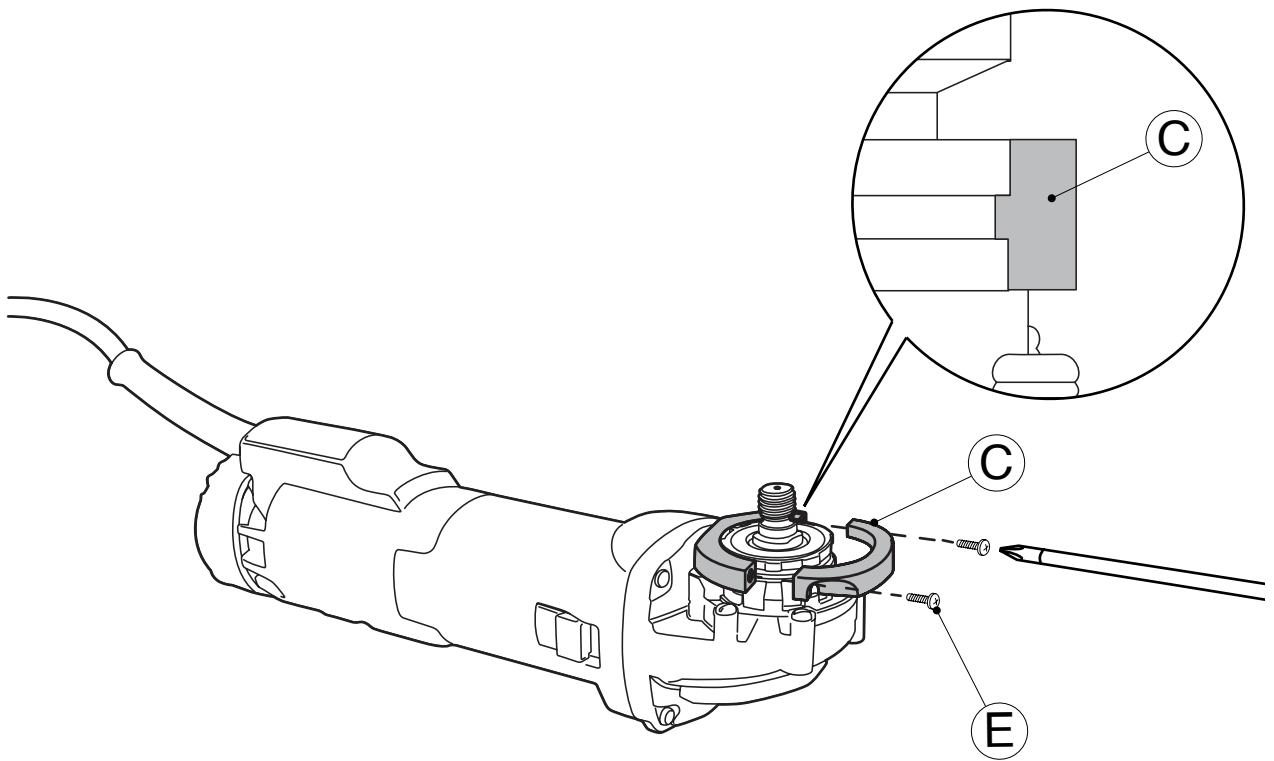
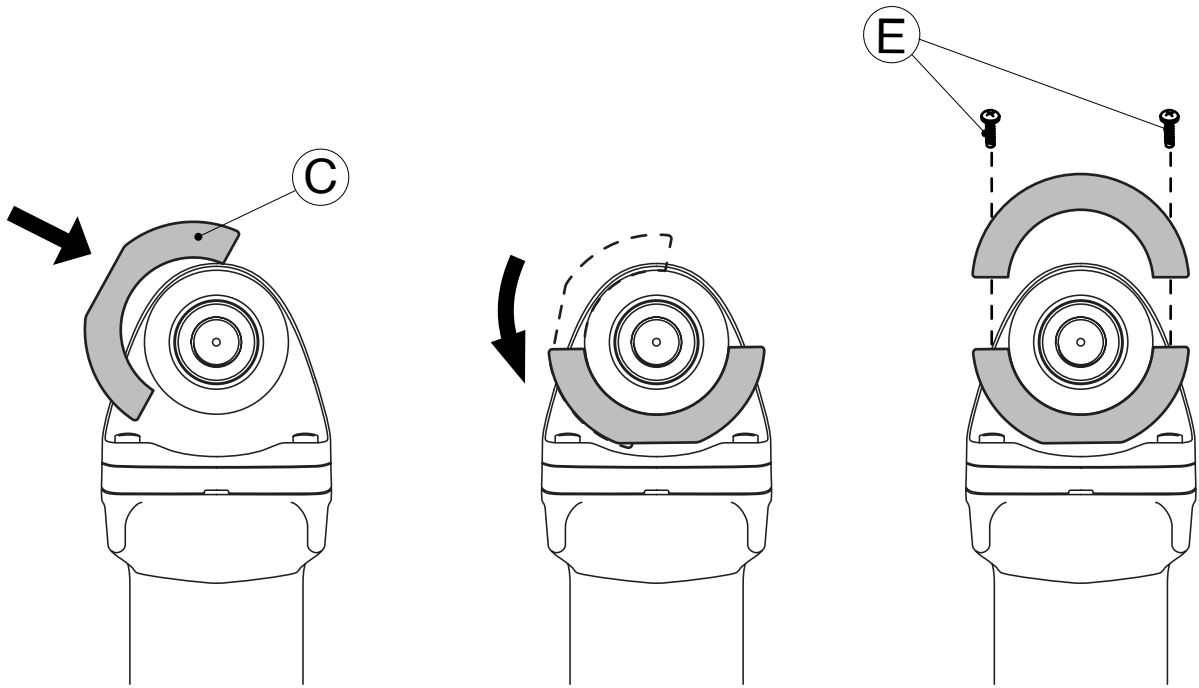
1



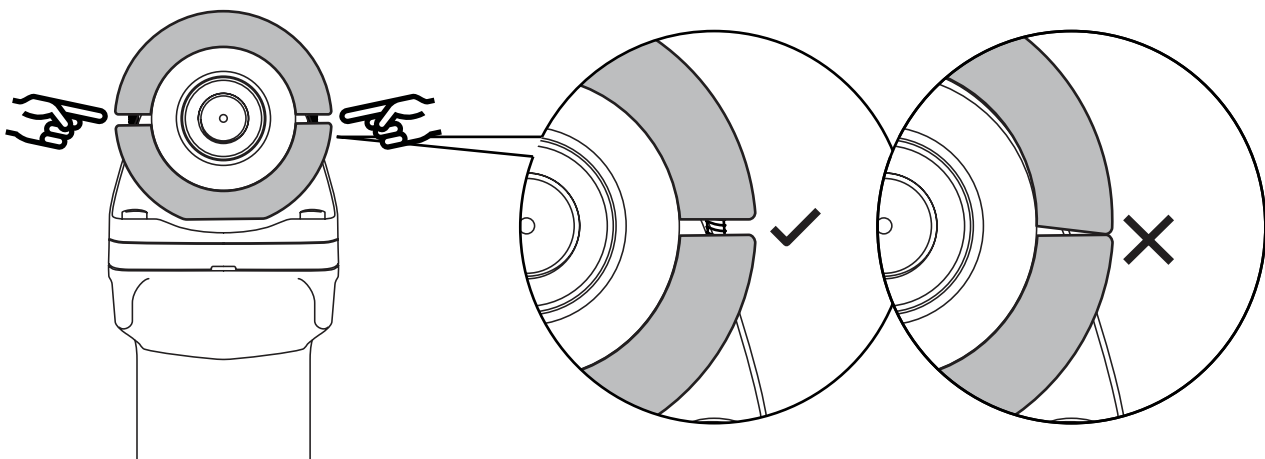
2



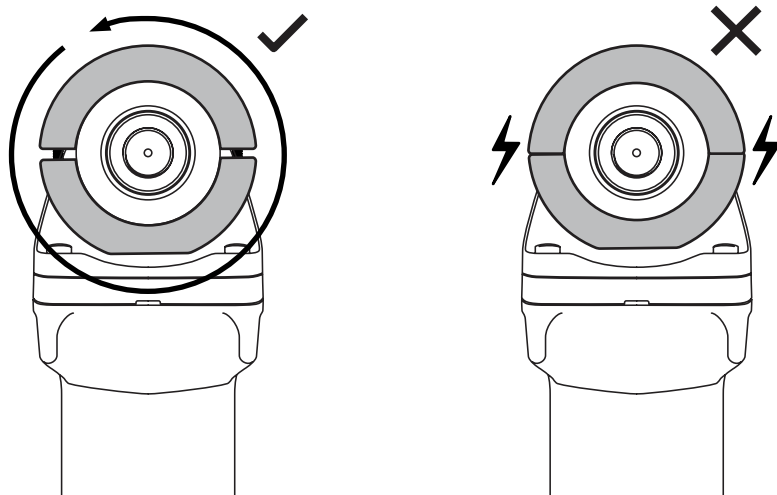
3



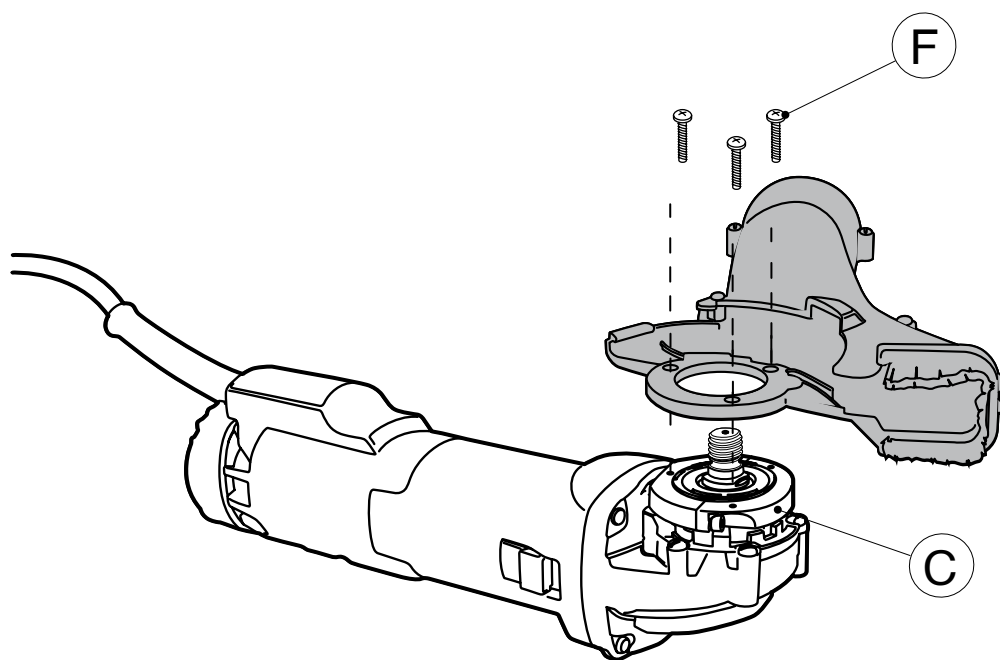
!



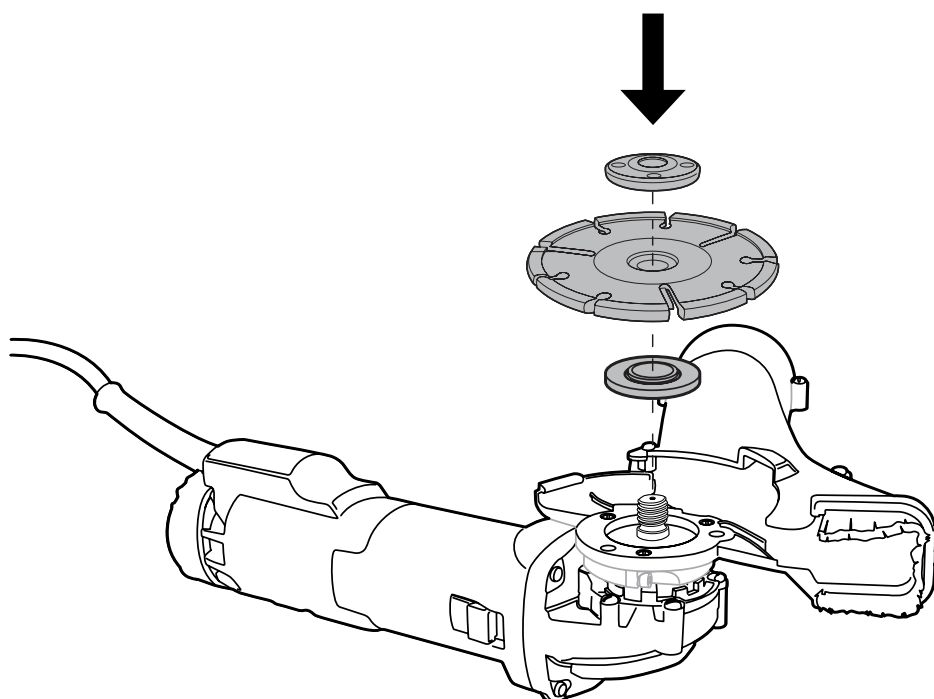
!



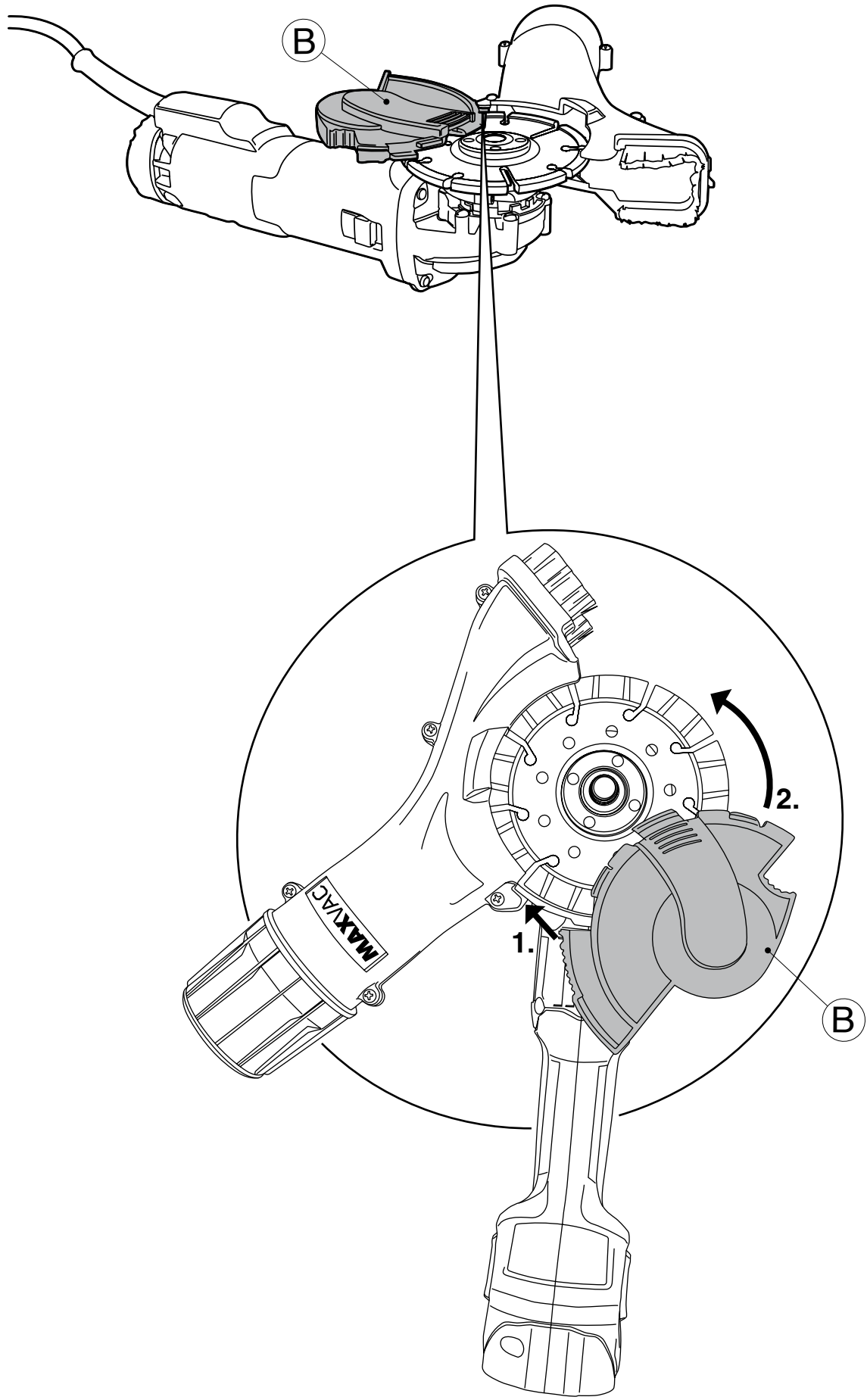
4

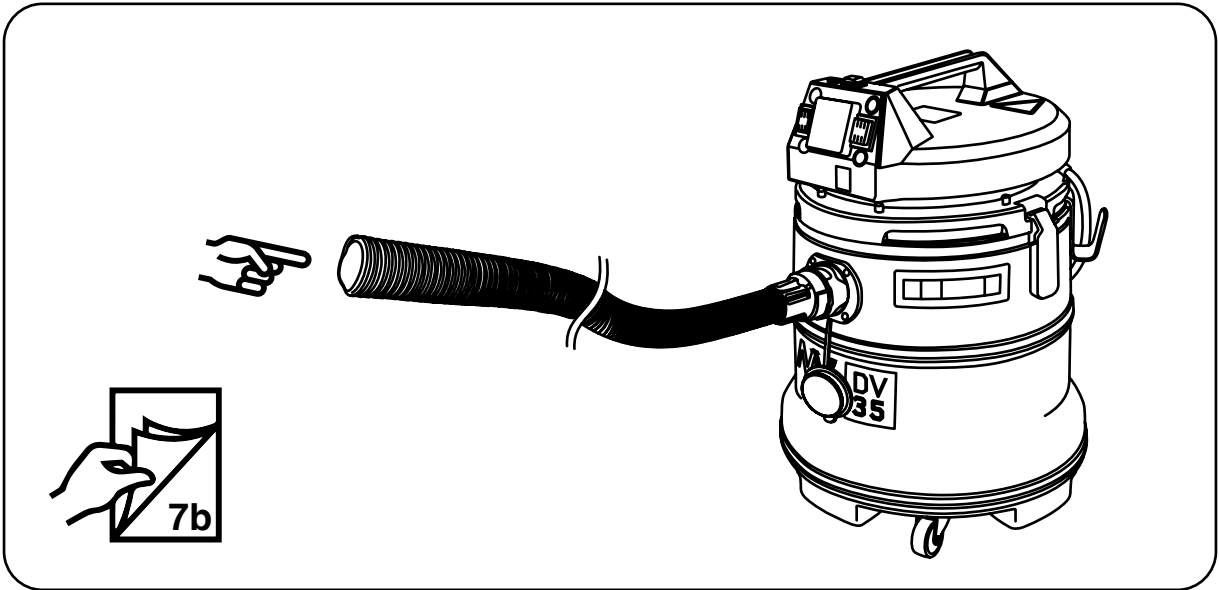
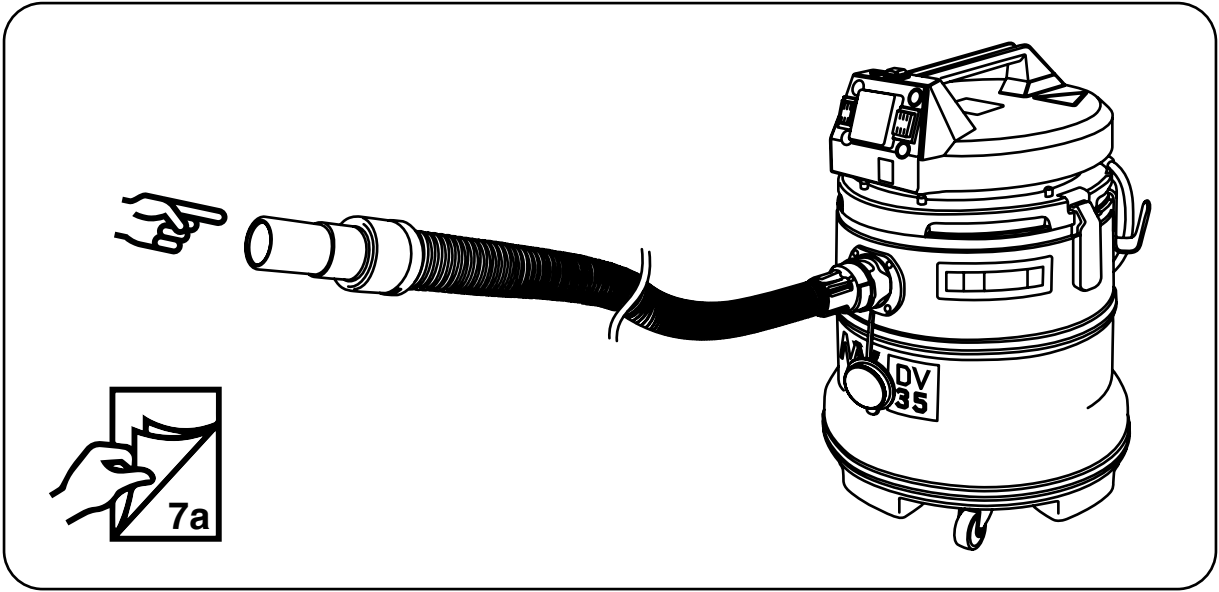


5

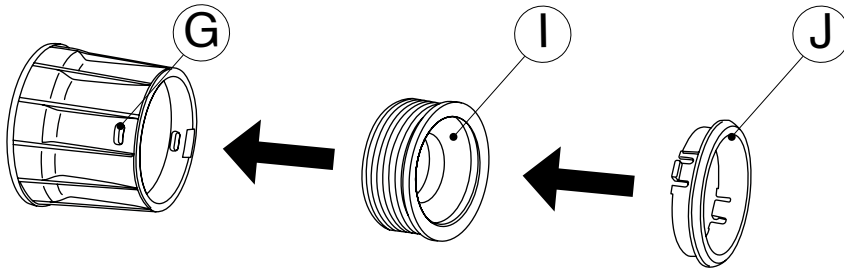


6

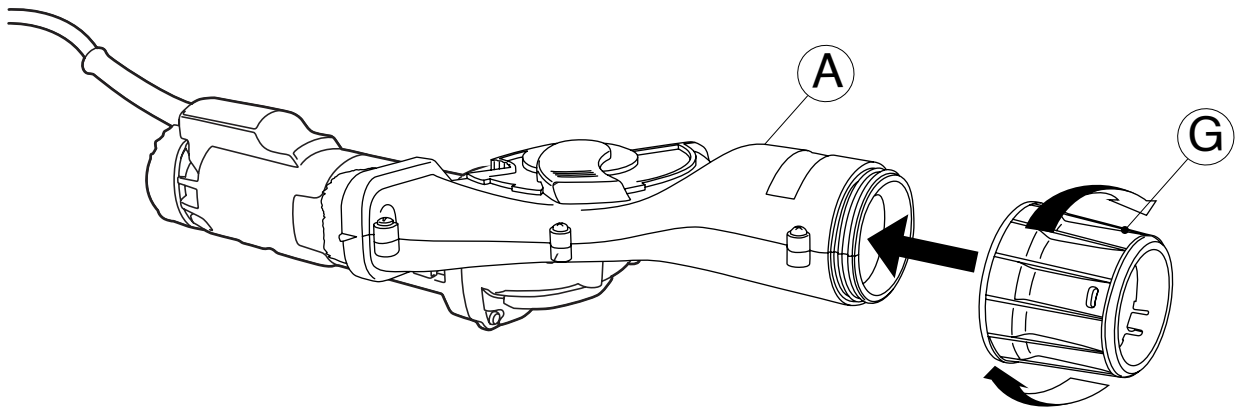




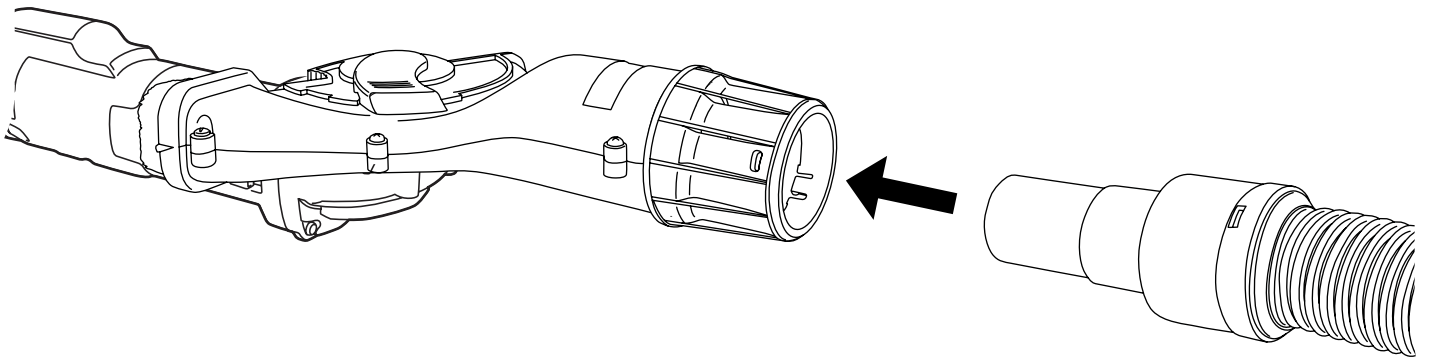
7a



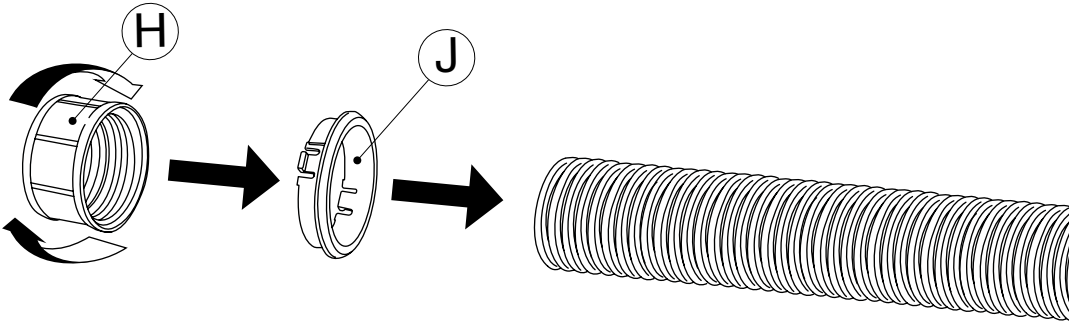
8a



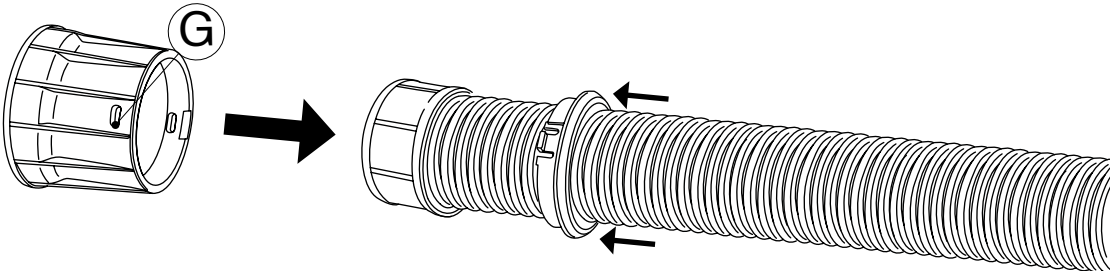
9a



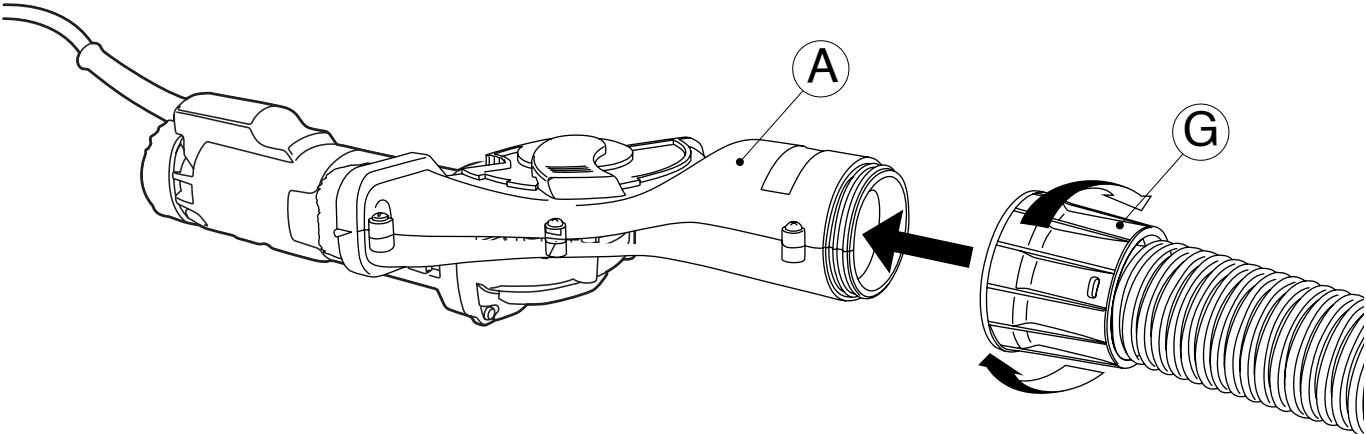
7b



8b



9b



10

