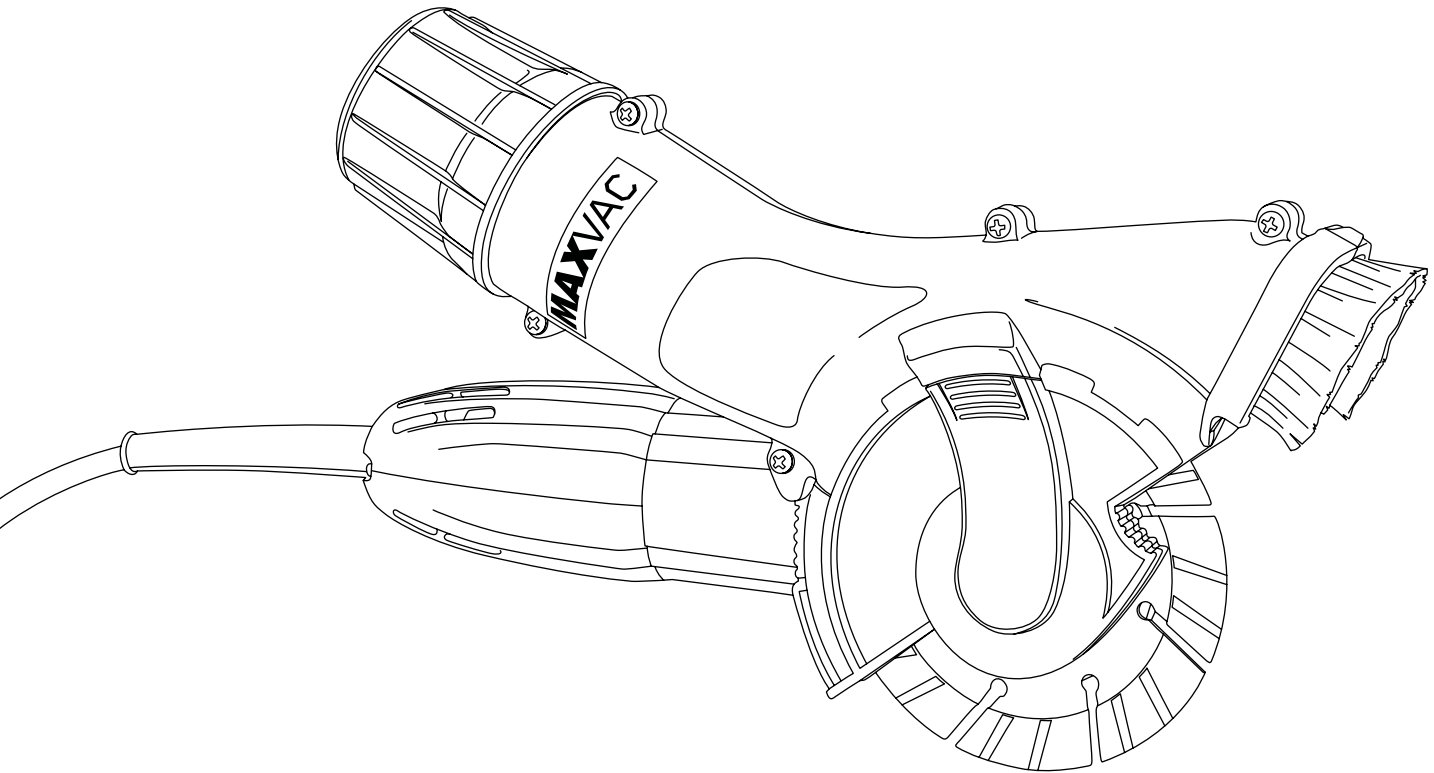
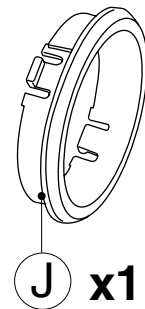
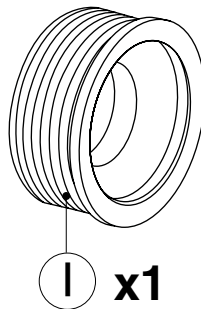
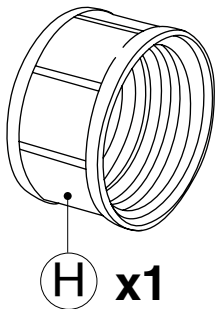
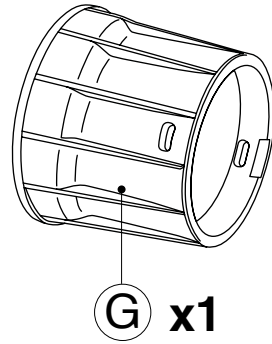
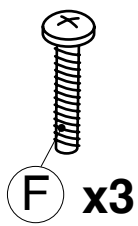
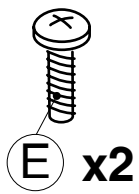
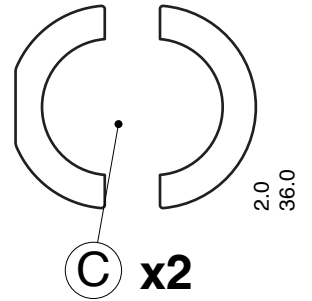
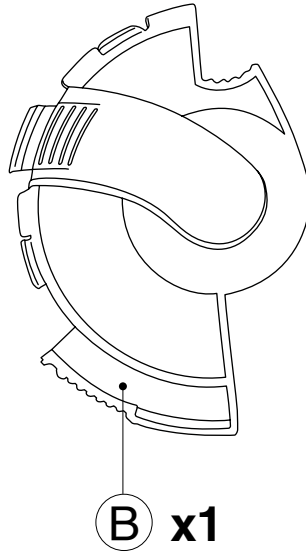
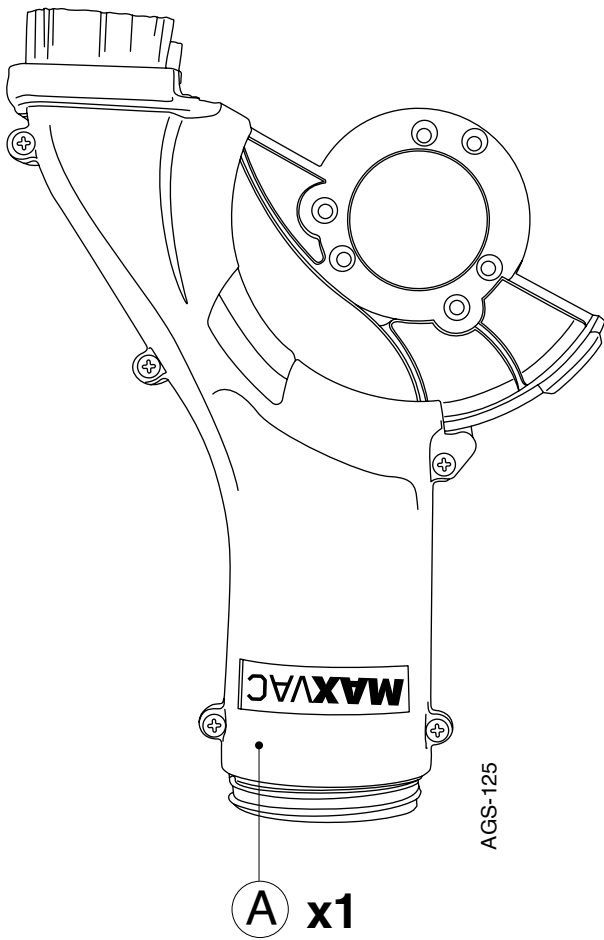




# AGS-125

## Installation Guide Hilti Grinders



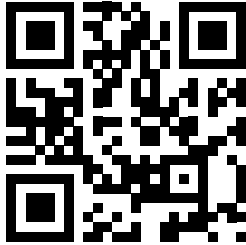
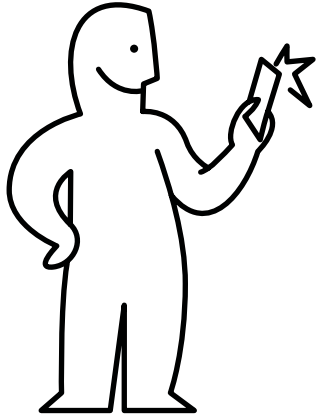


Check your grinder model below to see what Adaptor you will need.

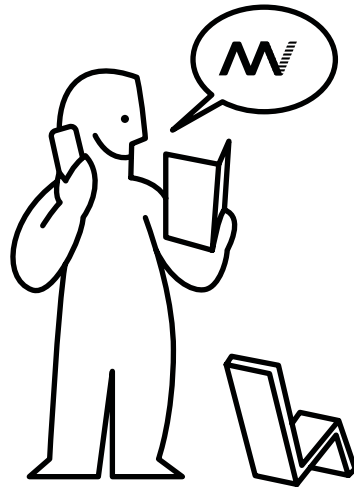
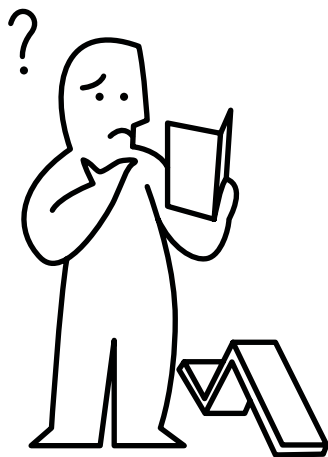
Model Number	Adaptor (C)
G 12SE 2	36.0
AG 125-A22	2.0
DSG 125 S	36.0

Different grinder models need different adaptors. Only 1 adaptor combination per machine. Please see above chart.

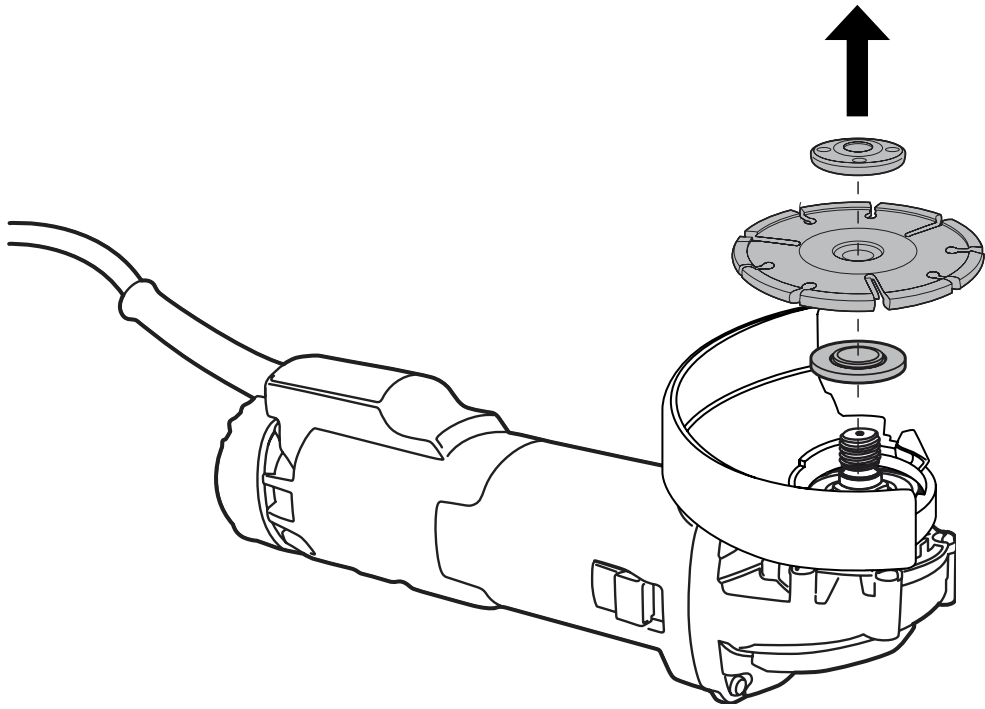
If your grinder model is not listed, please email your grinder brand & model number to [sales@max-vac.com](mailto:sales@max-vac.com) and we will confirm compatibility for you.



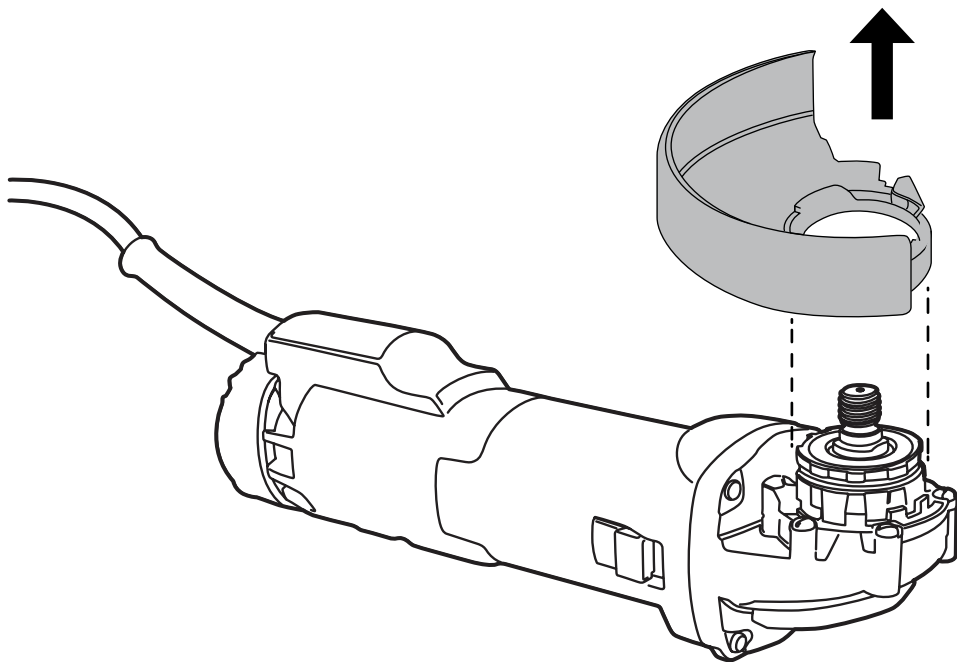
[https://www.youtube.com/watch?v=MTNq\\_NxQi4s](https://www.youtube.com/watch?v=MTNq_NxQi4s)



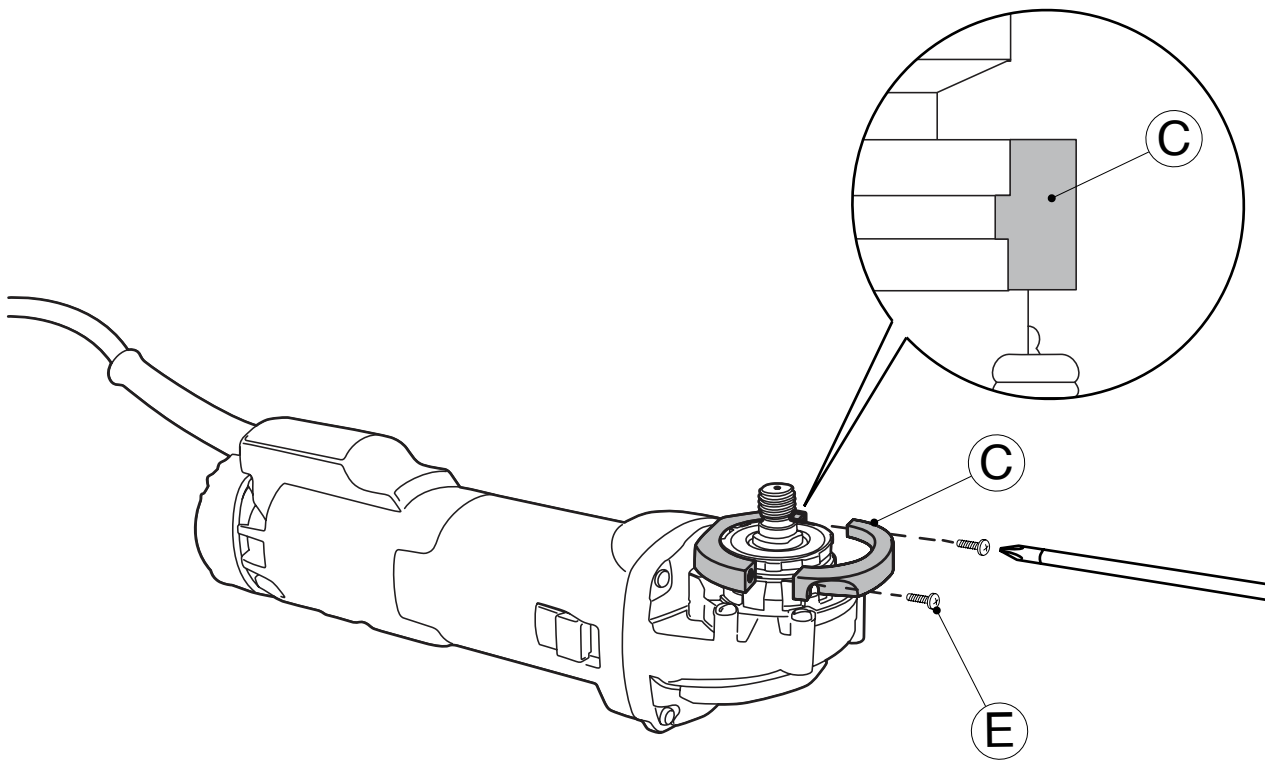
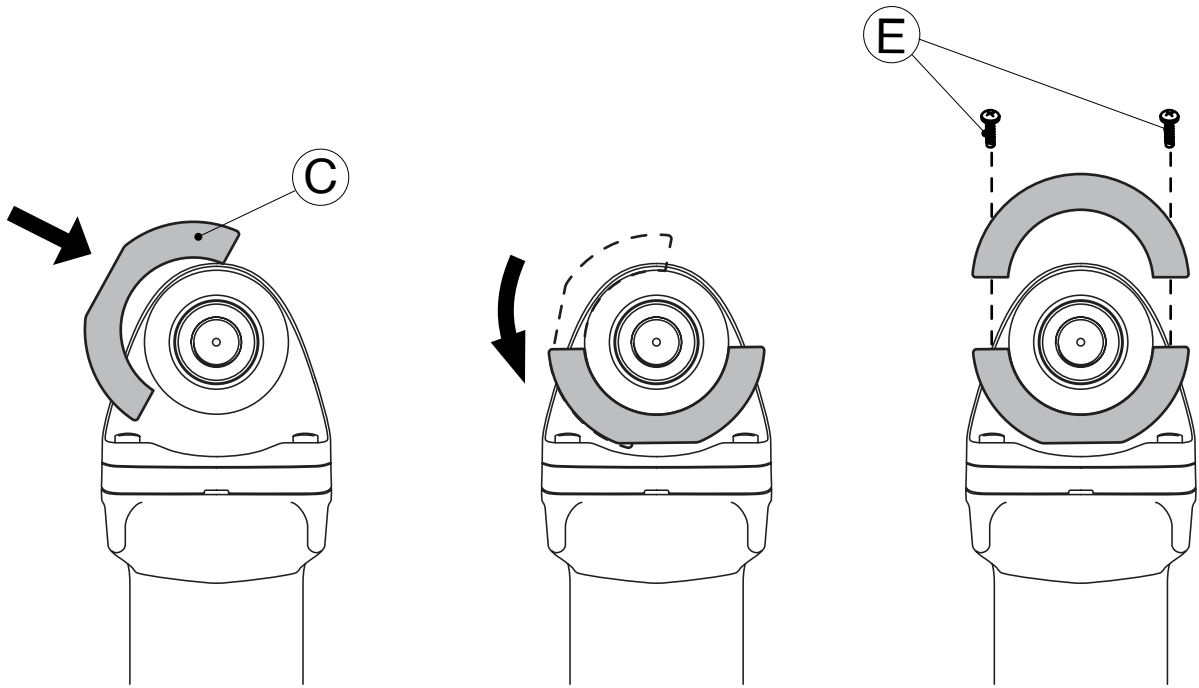
**1**



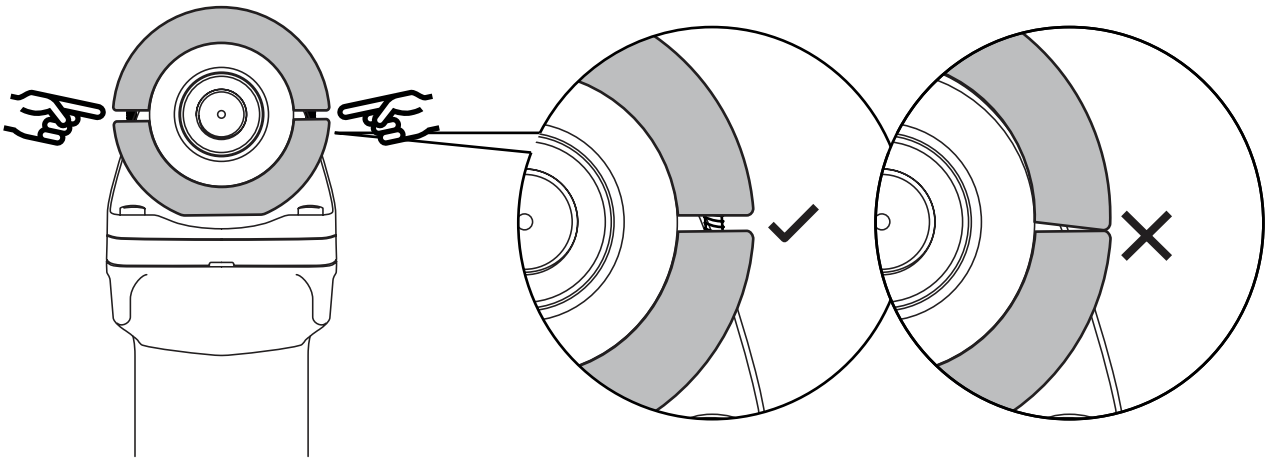
**2**



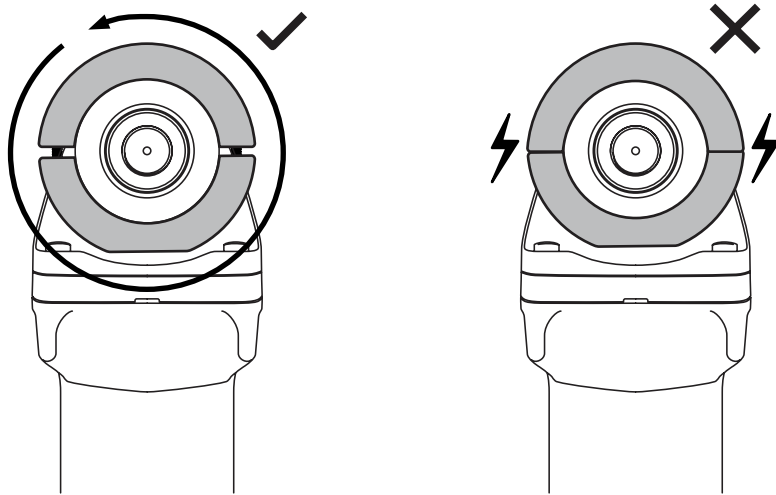
3



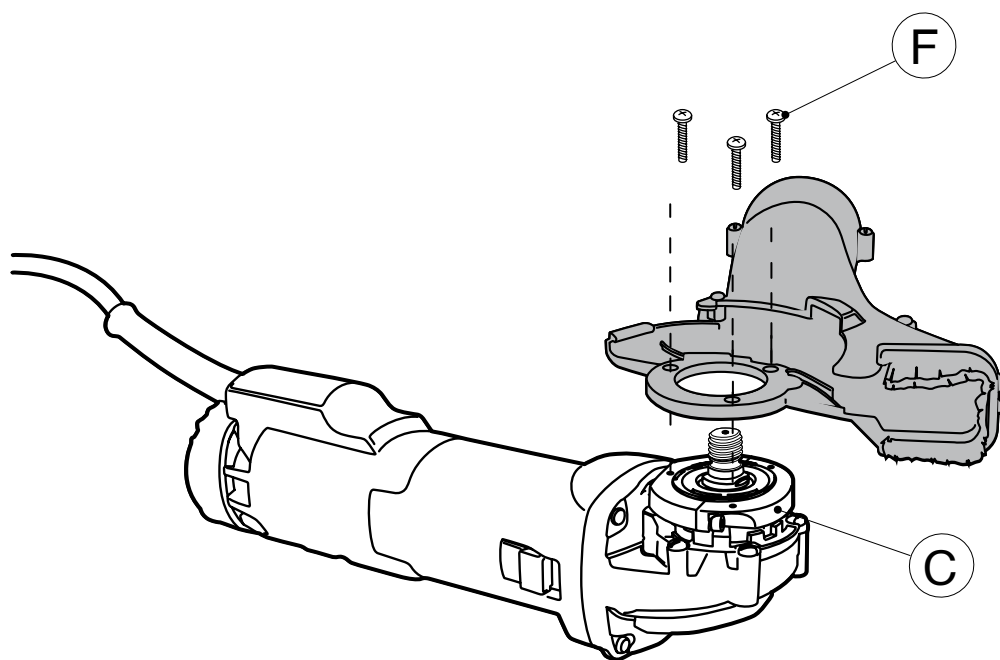
!



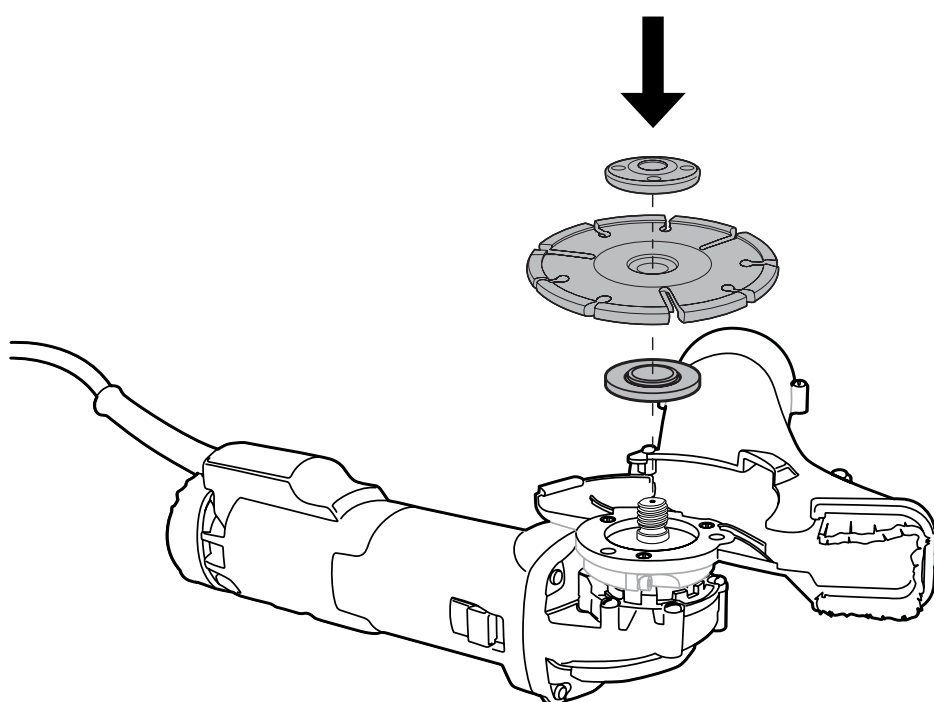
!



4

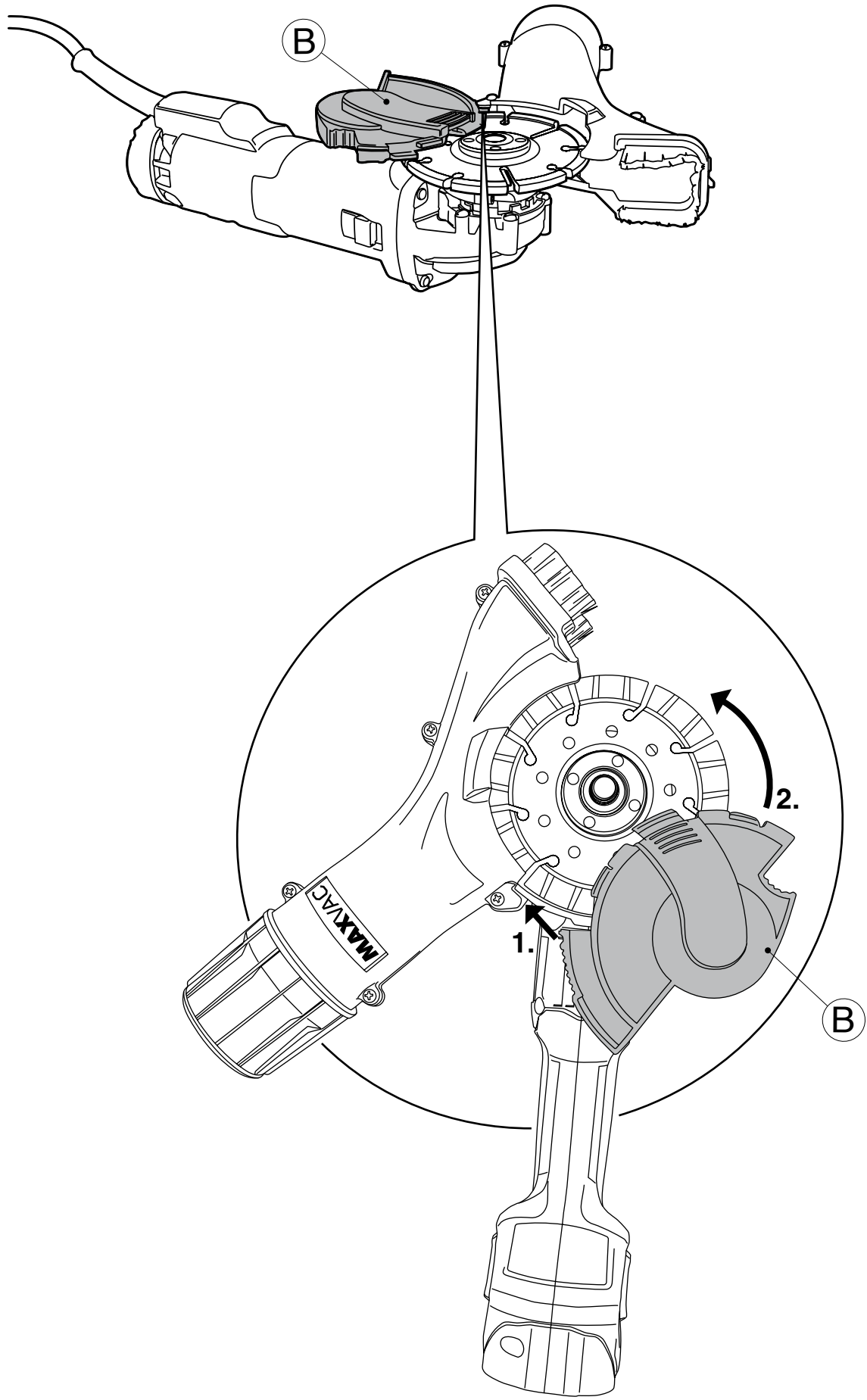


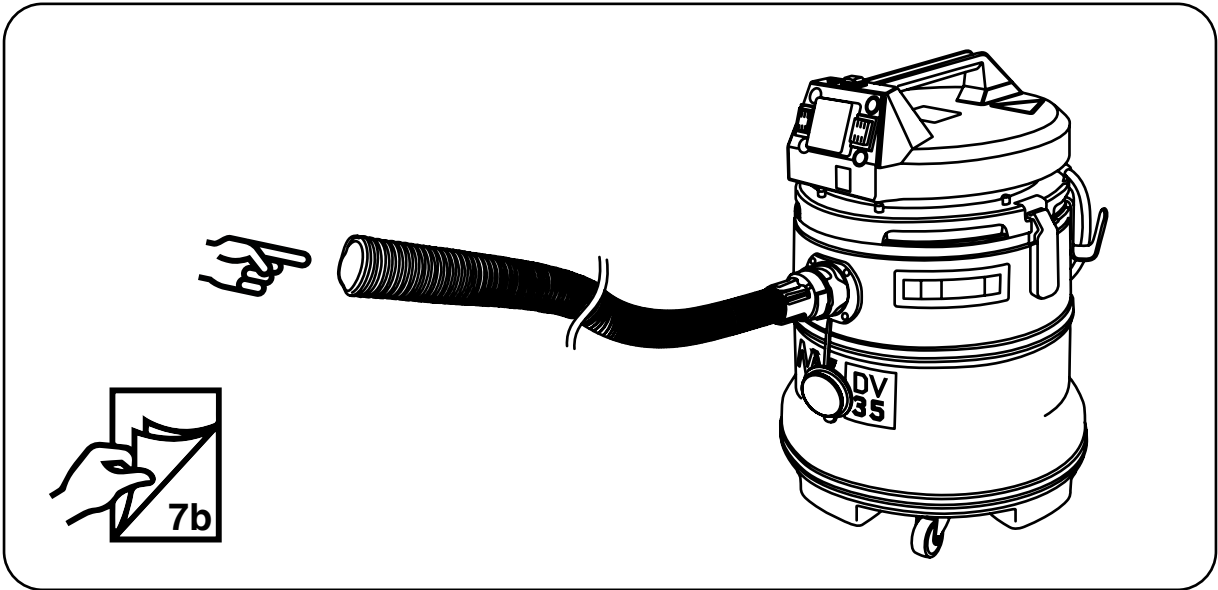
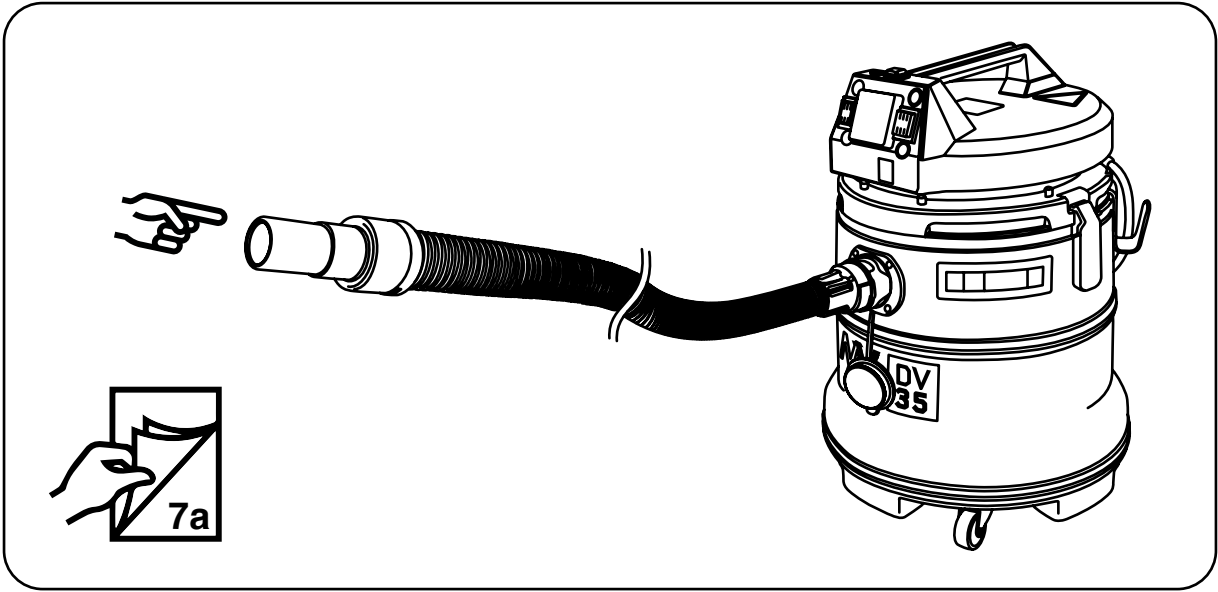
5



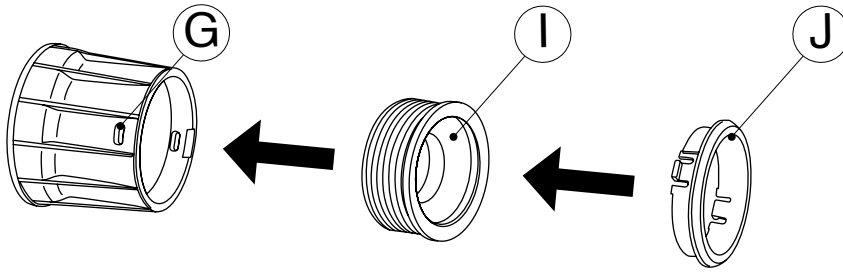


6

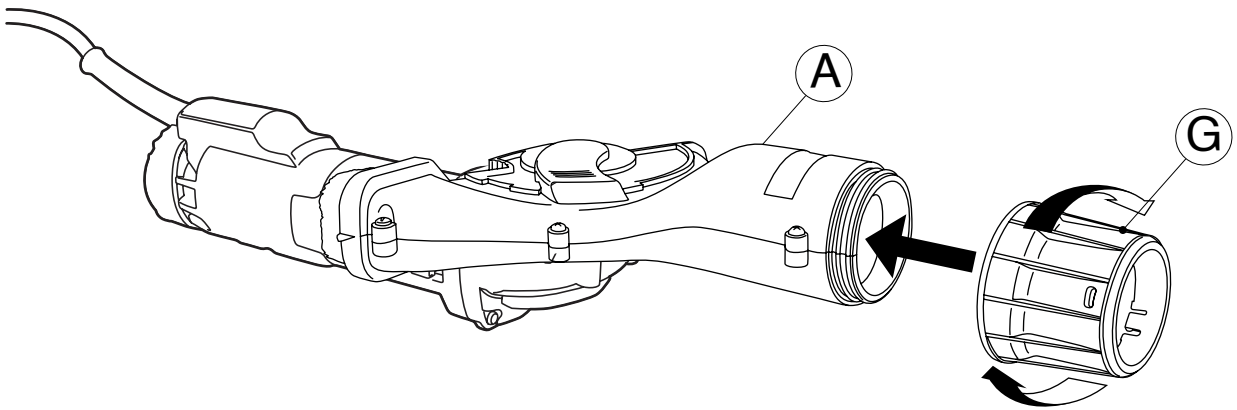




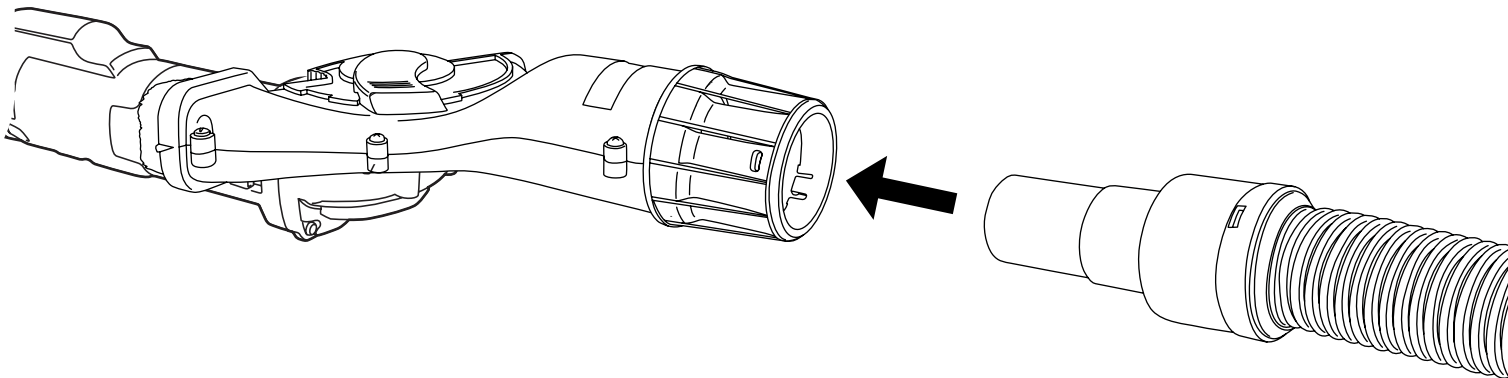
**7a**



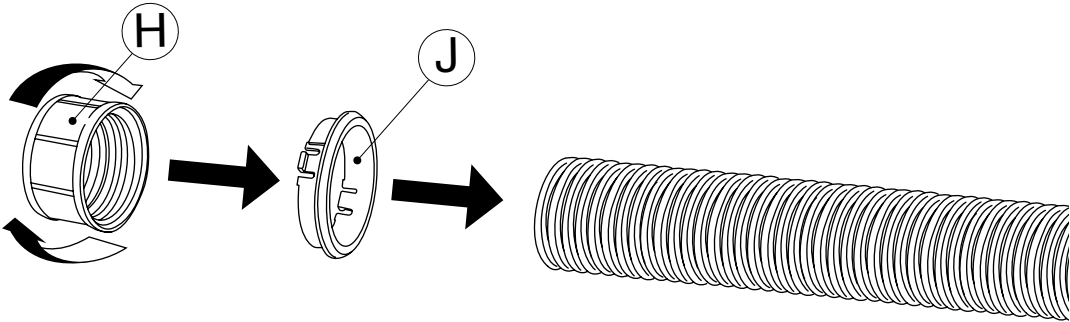
**8a**



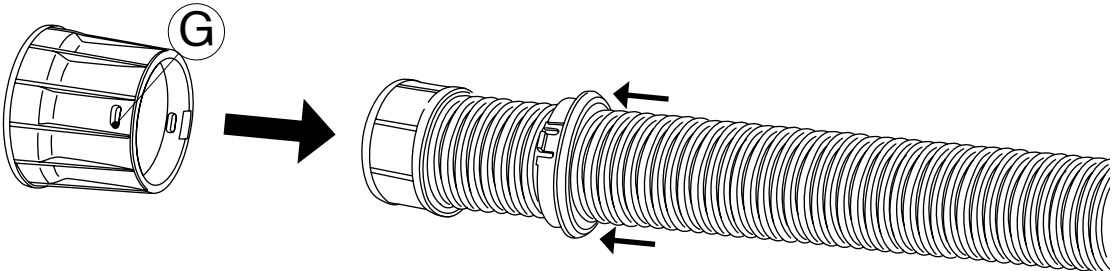
**9a**



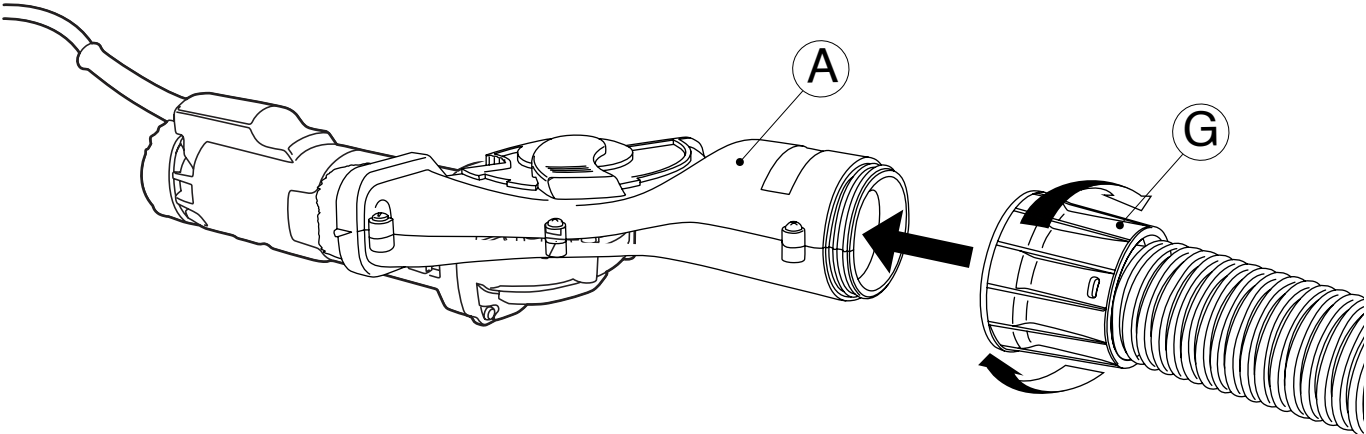
**7b**



**8b**



**9b**



10

