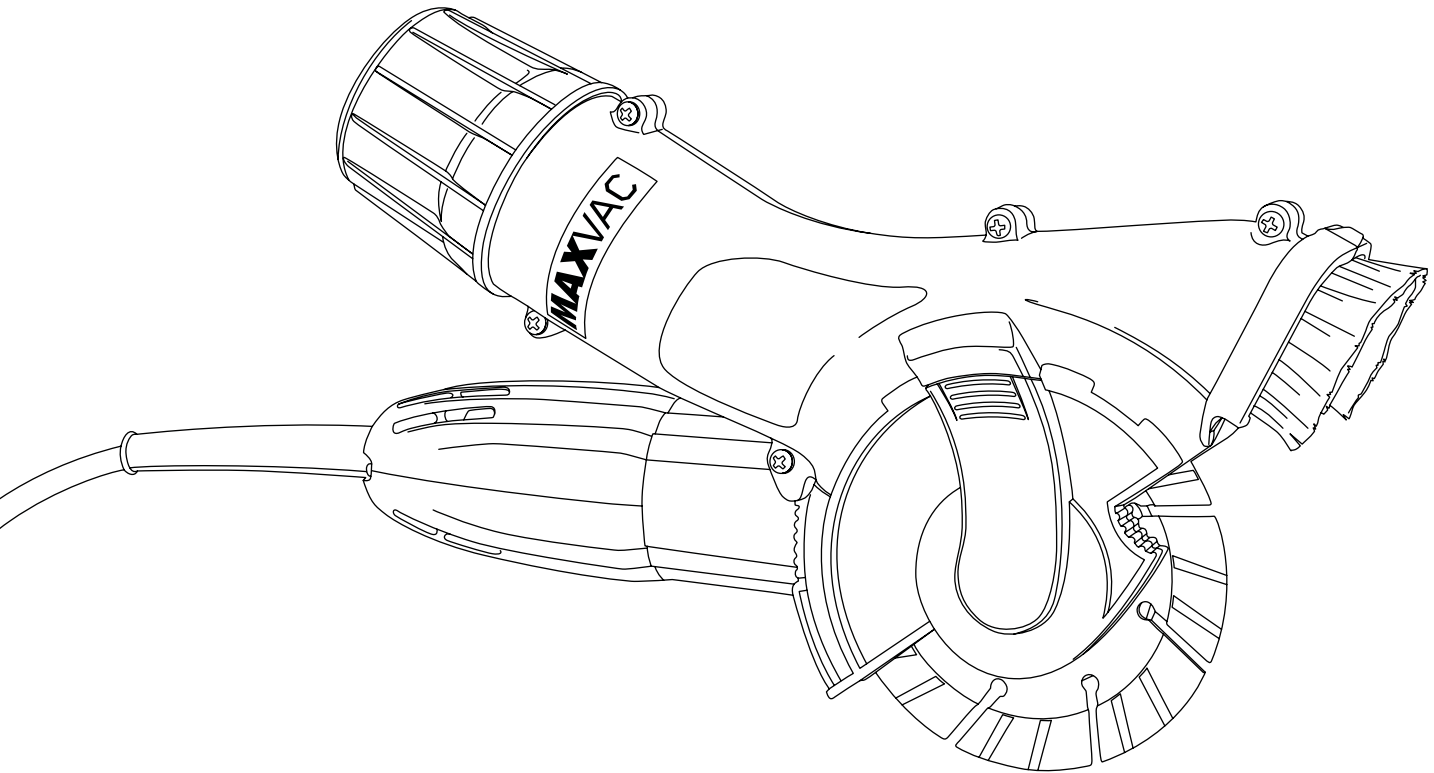
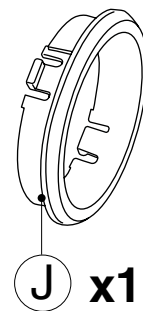
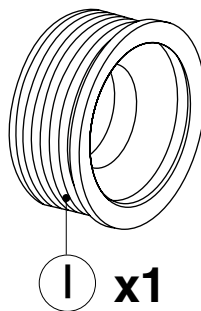
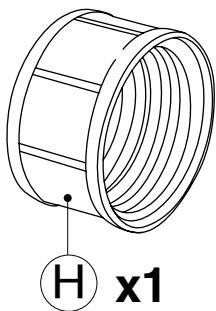
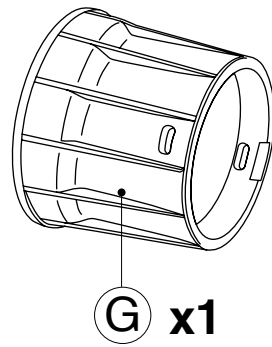
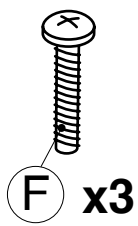
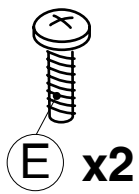
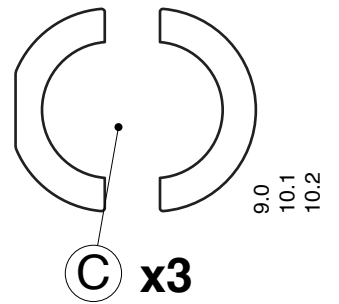
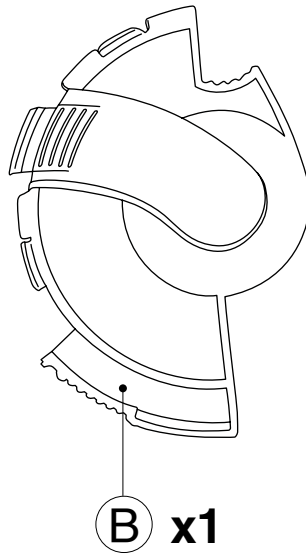
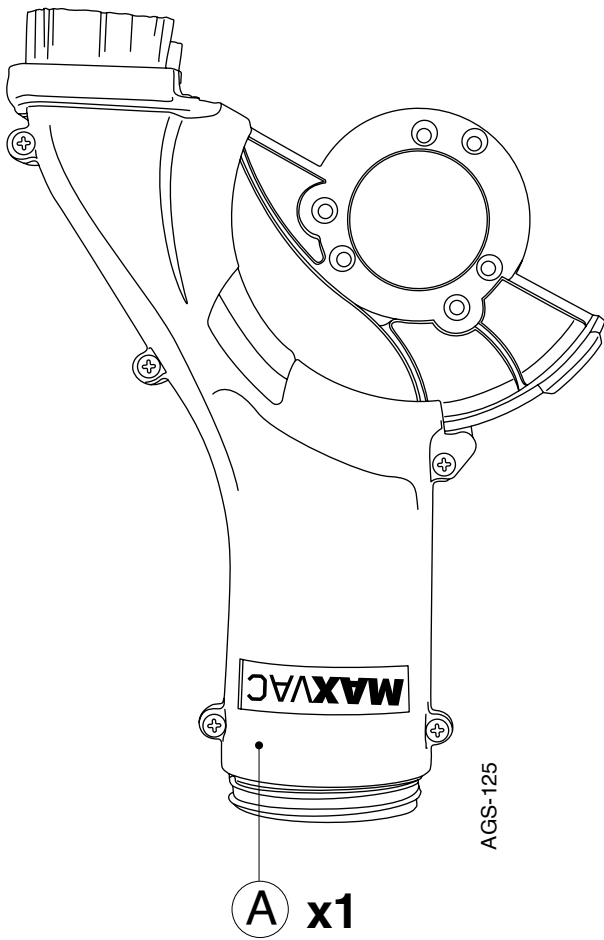




AGS-125

Installation Guide Hikoki / Hitachi Grinders





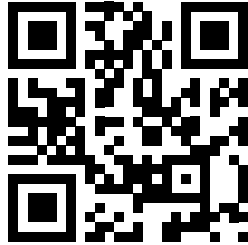
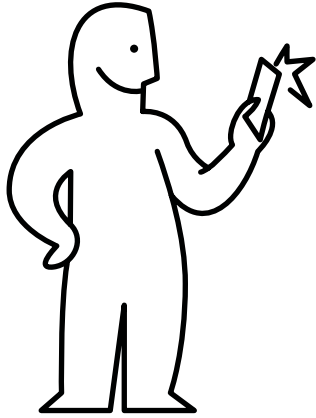
Check your grinder model below to see what Adaptor you will need.

Model Number	Adaptor (C)
G12SA2	9.0
G12SA3	9.0
G13-JQ	9.0
G13SB2-125	9.0
G13SB3	9.0
G13SC2	9.0
G13SE2	9.0
G13VA	9.0
G13VE	9.0
G13YC-125	9.0
G13YF	9.0
G15VA	9.0

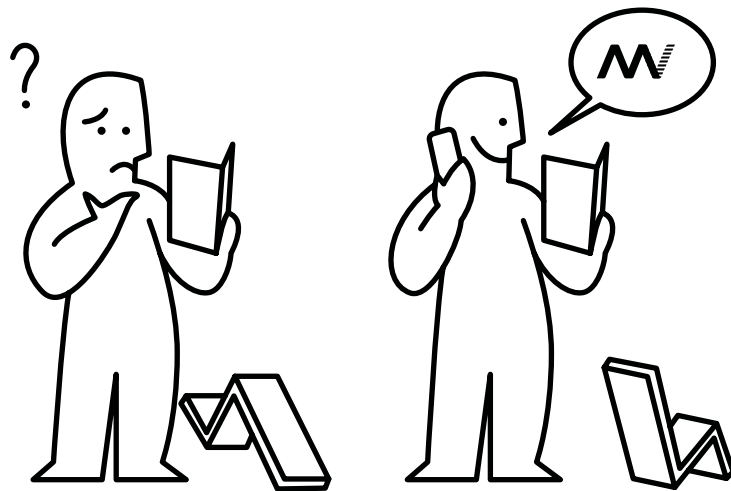
Model Number	Adaptor (C)
G15YF	9.0
G18 DSL	10.0
G12SS2	10.0
G12STX	10.0
G13SD	10.0
G13SR3	10.0
G13SR4	10.0
G13SS	10.0
G13STA	10.0
G13SR4(S)	10.2
18 Volt Cordless	10.1

Different grinder models need different adaptors and spacers. Only 1 adaptor & spacer combination per machine. Please see above chart.

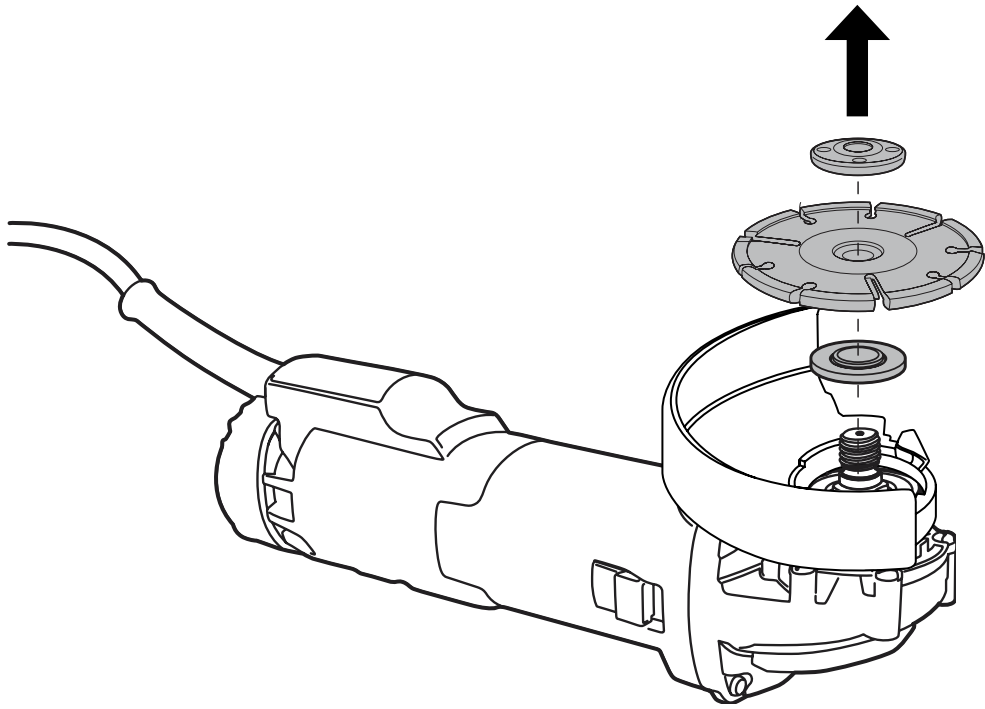
If your grinder model is not listed, please email your grinder brand & model number to sales@max-vac.com and we will confirm compatibility for you.



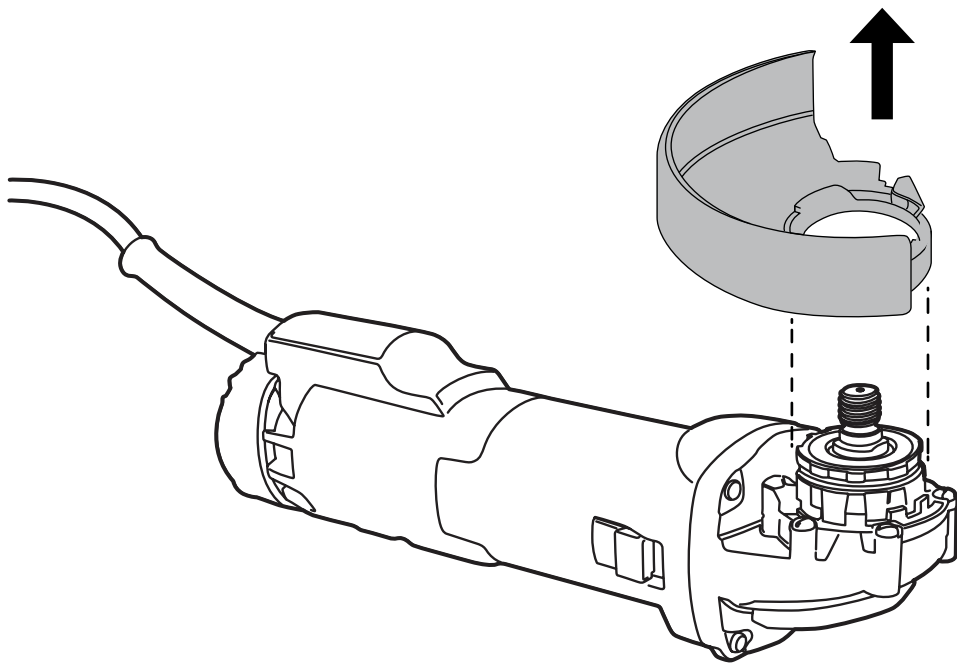
https://www.youtube.com/watch?v=MTNq_NxQi4s



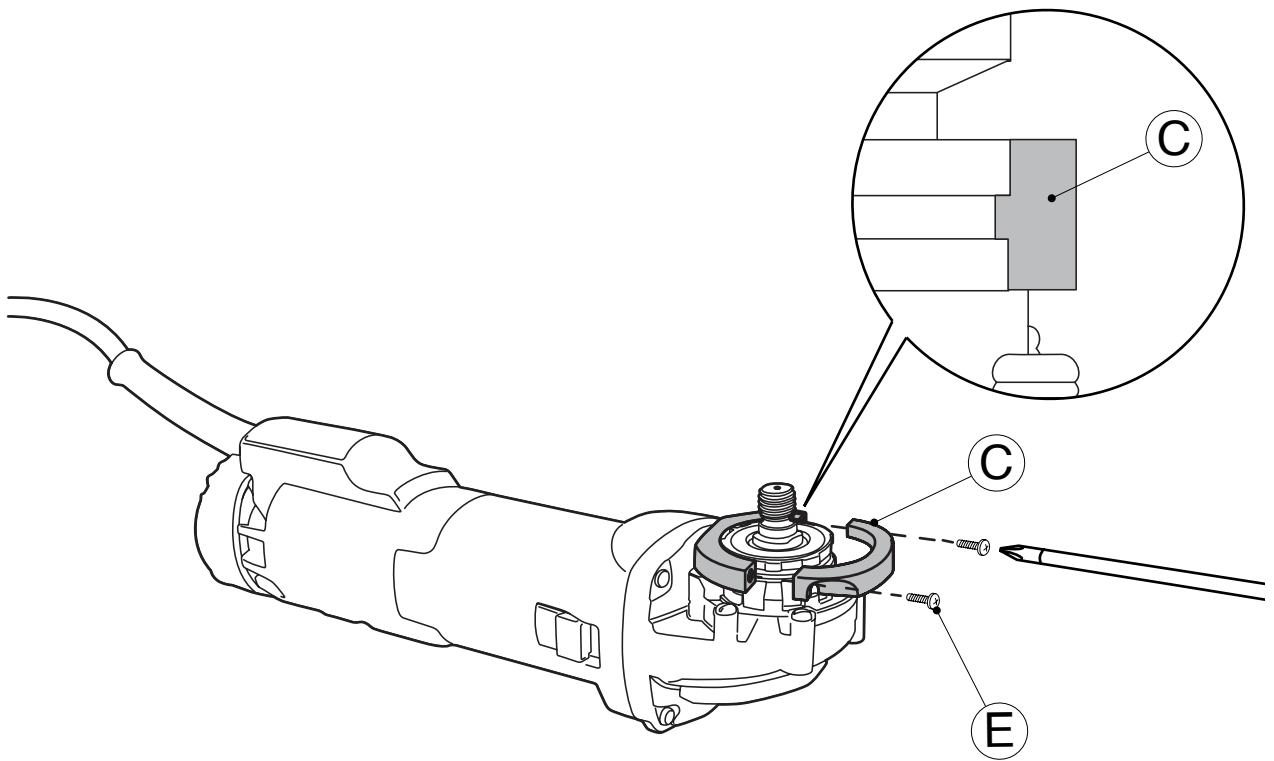
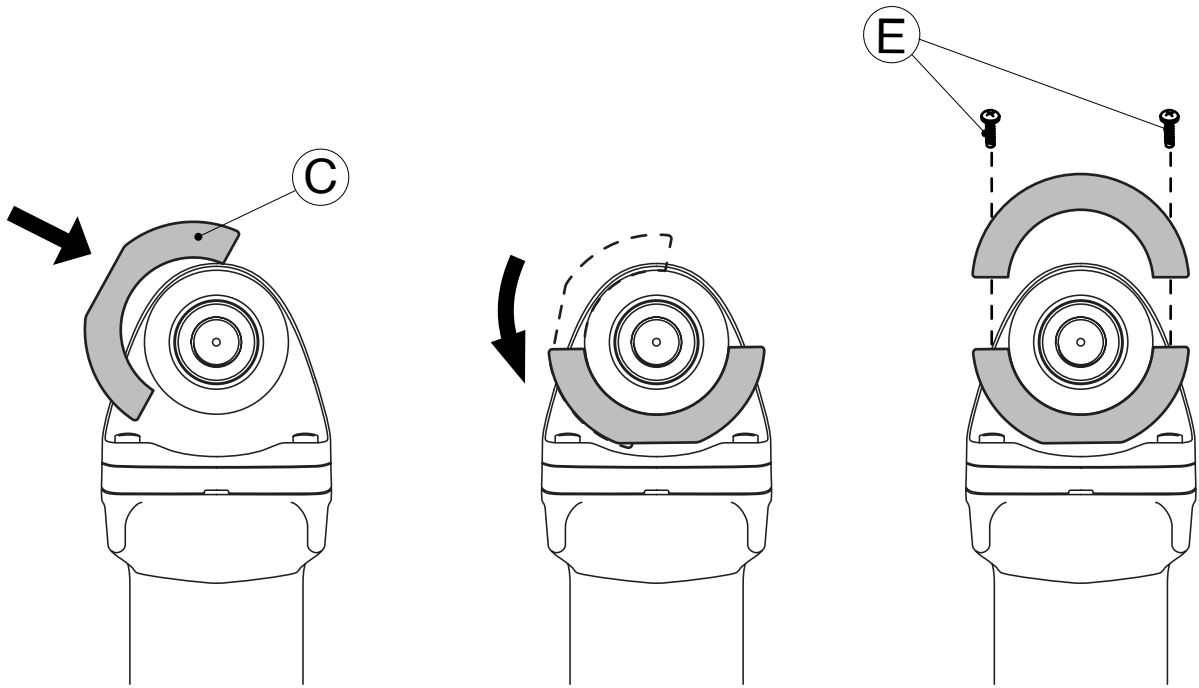
1



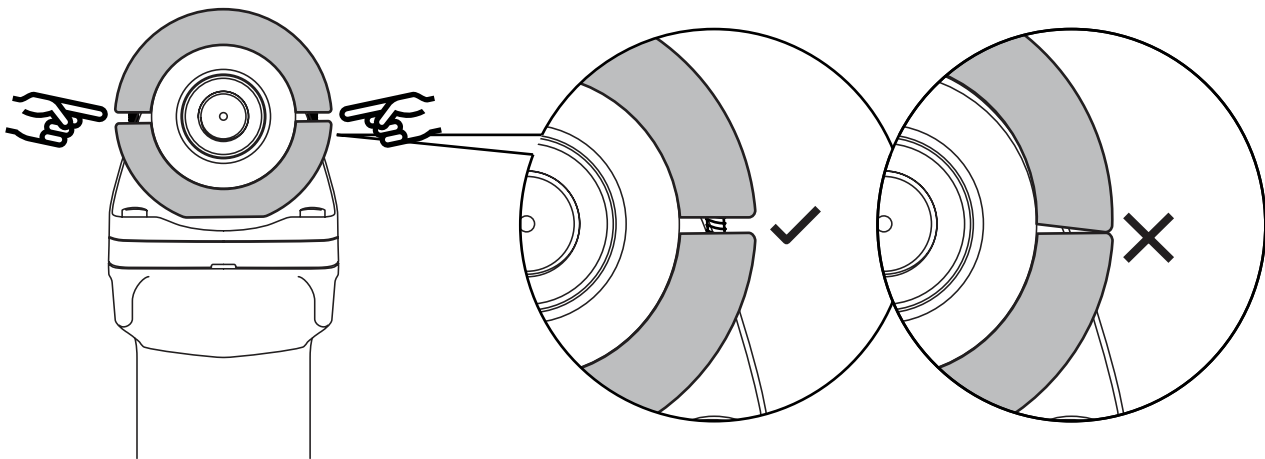
2



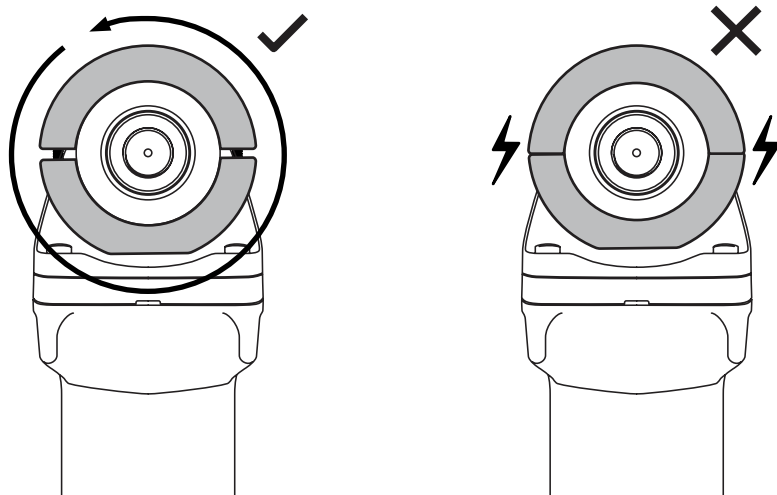
3



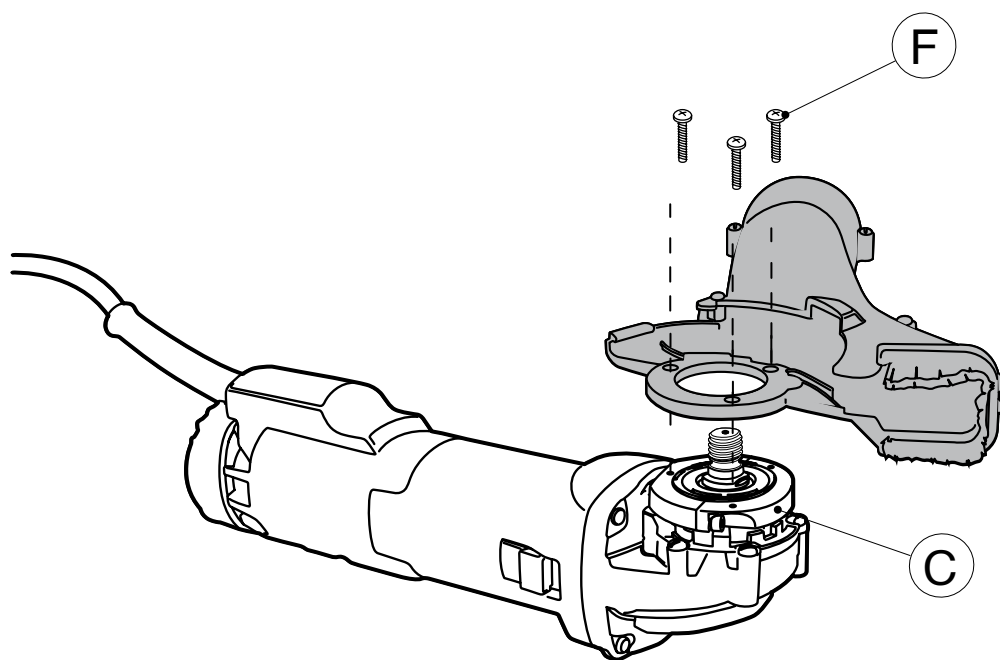
!



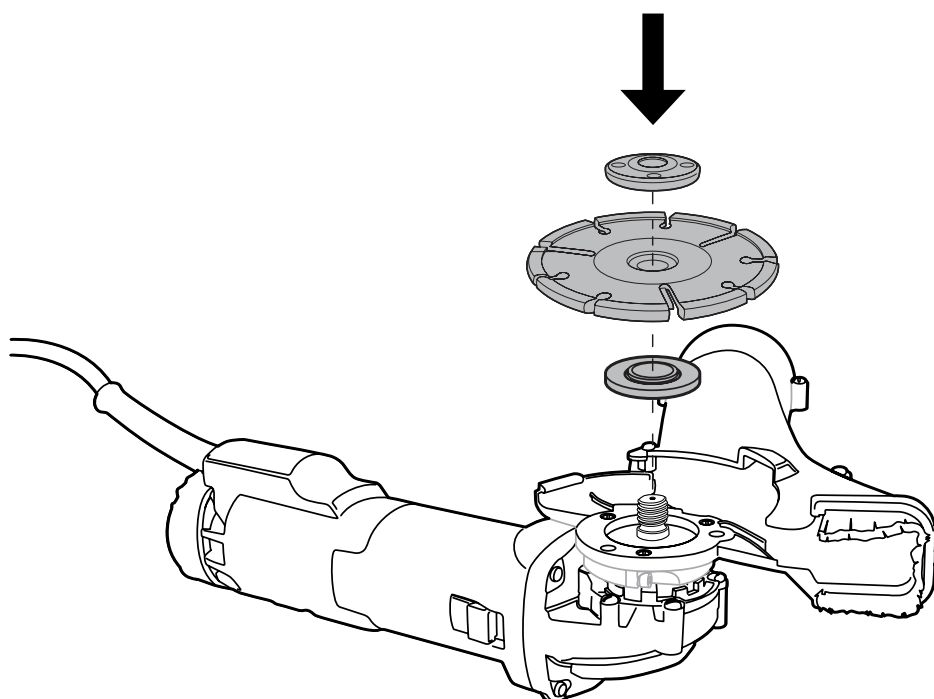
!



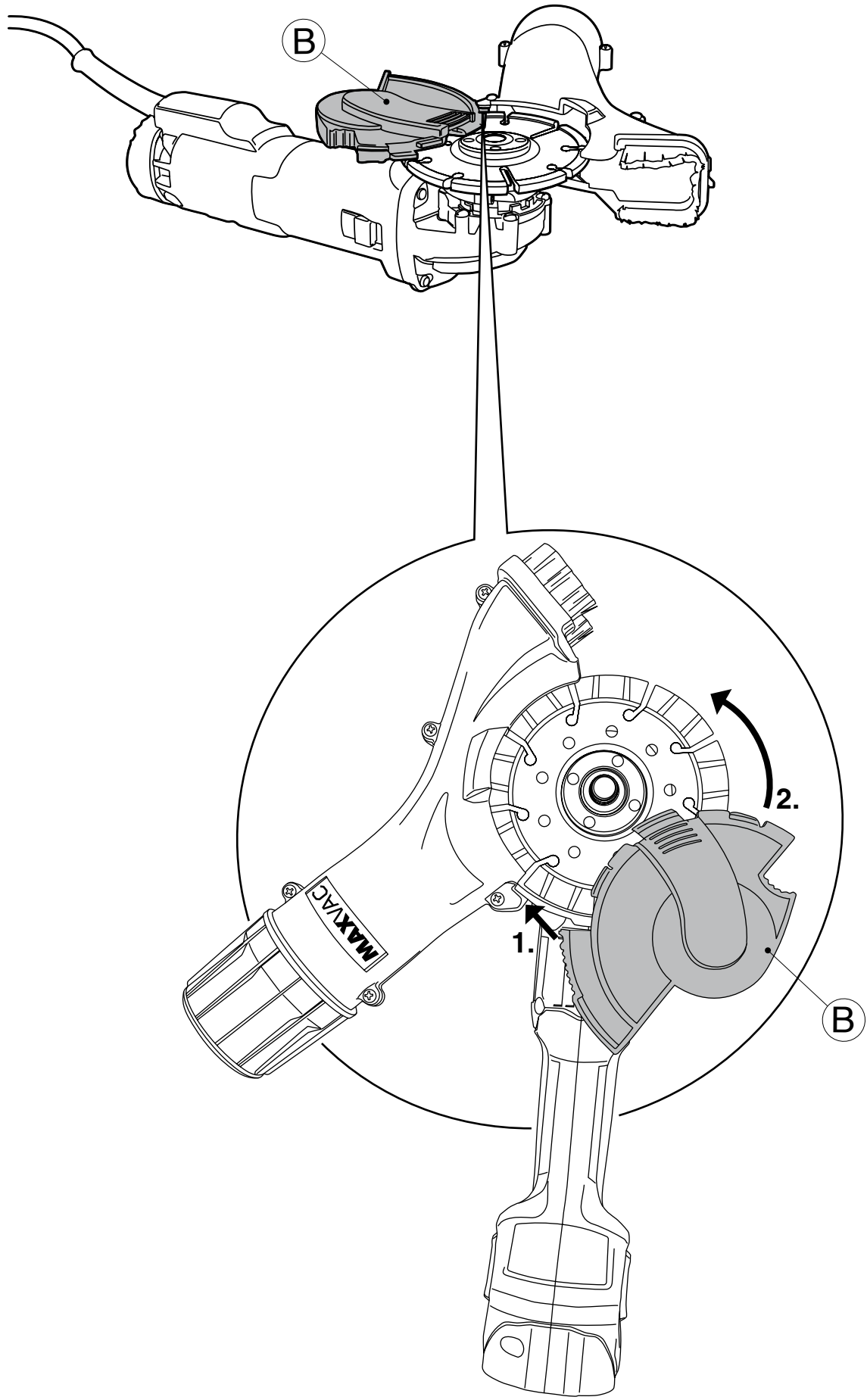
4

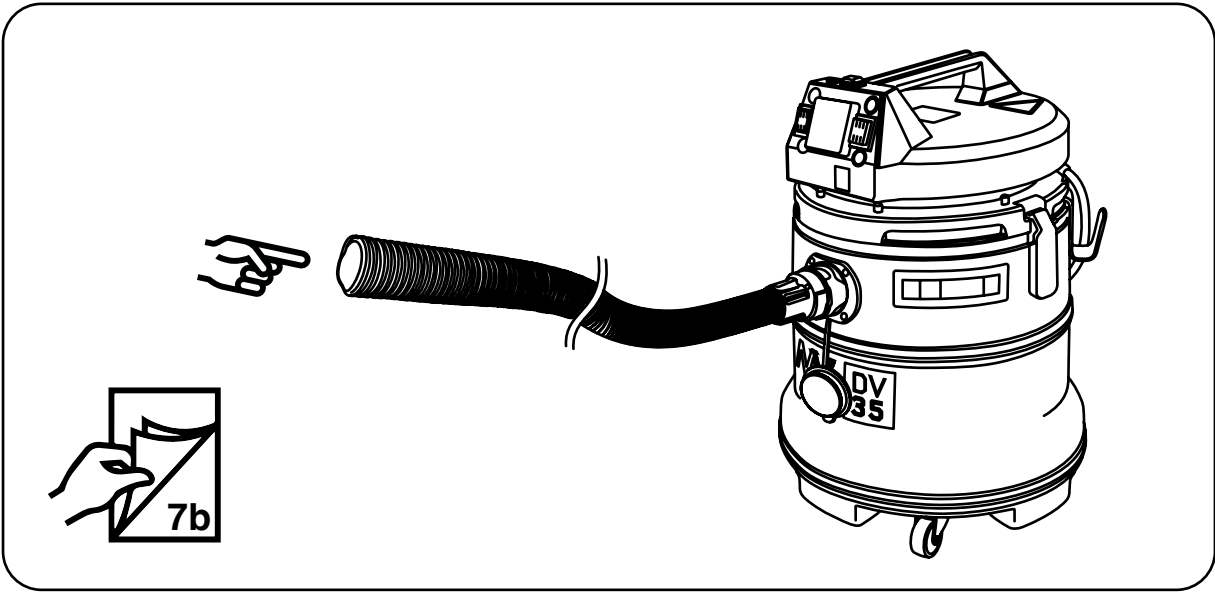
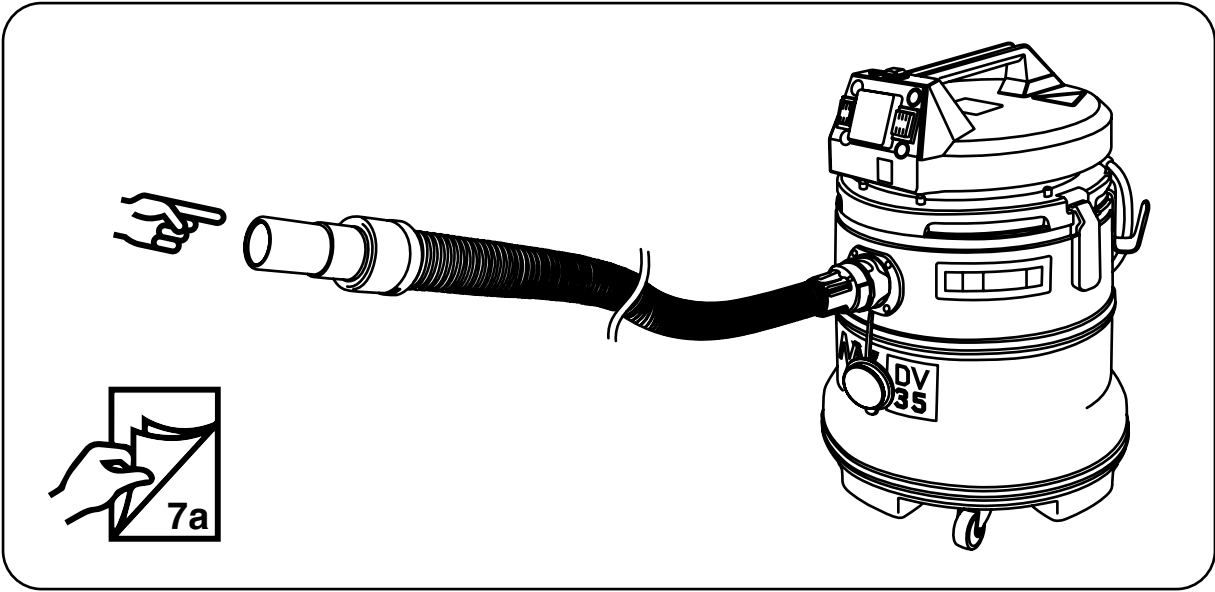


5

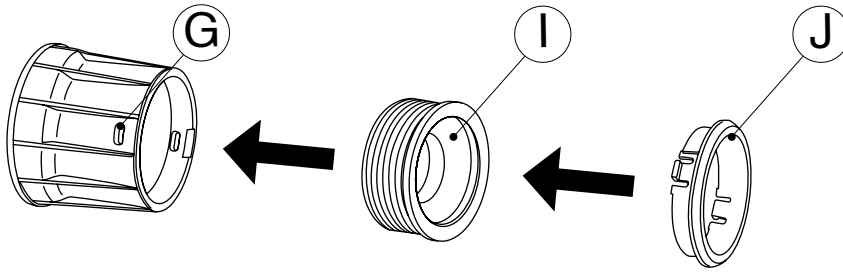


6

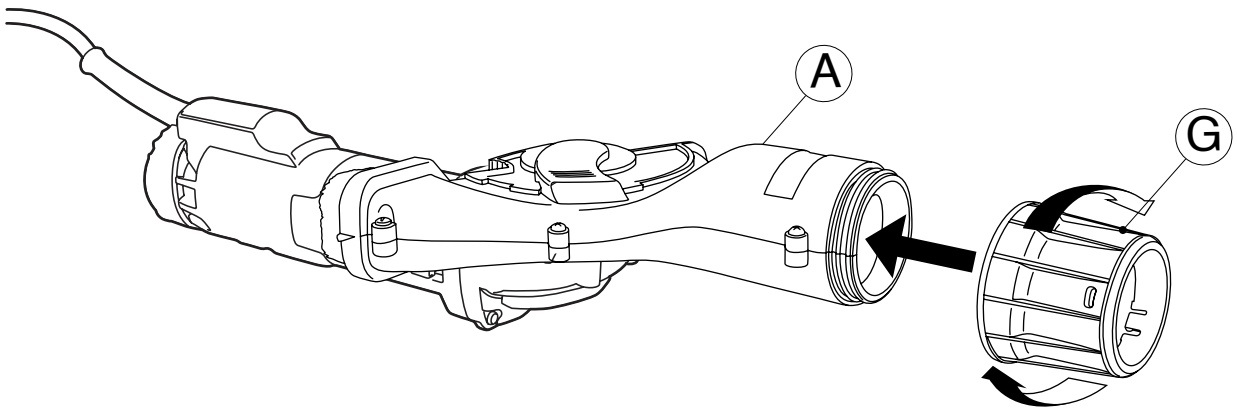




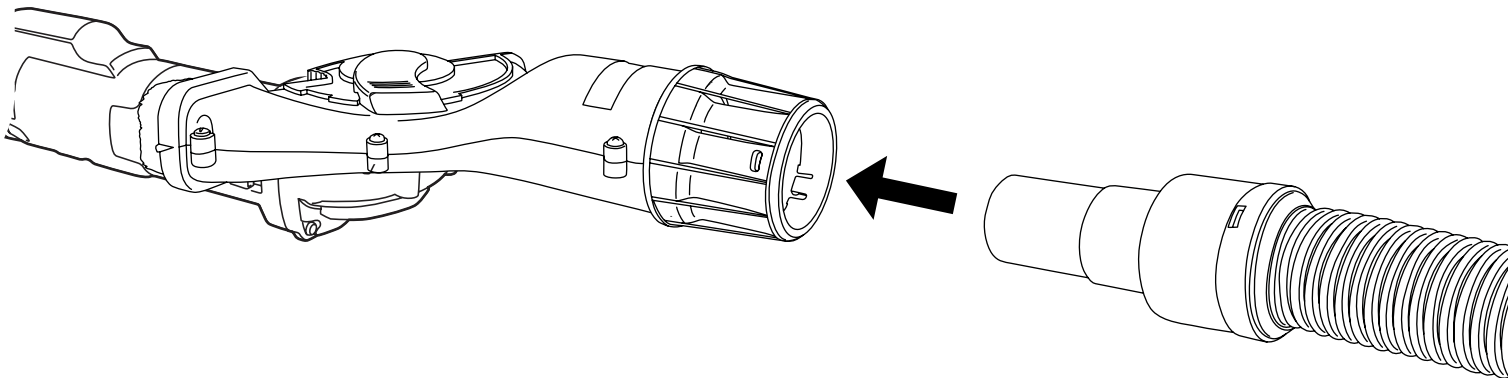
7a



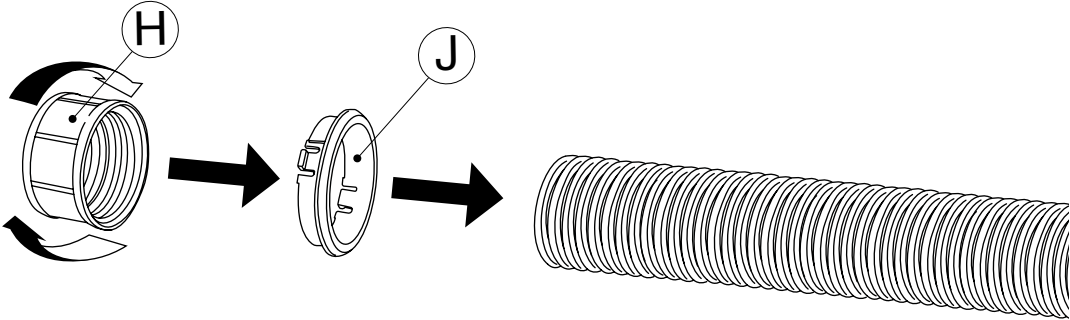
8a



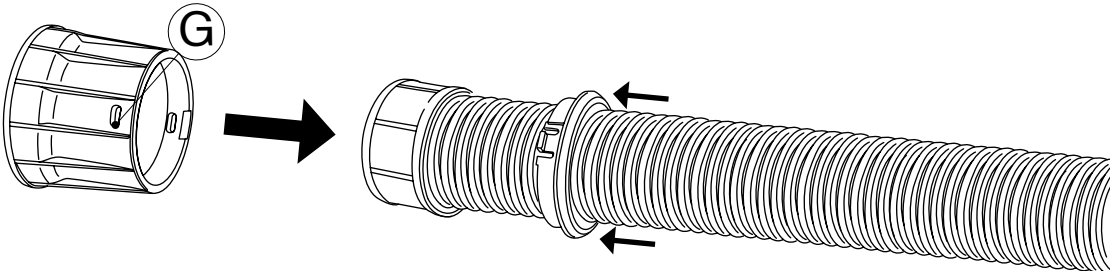
9a



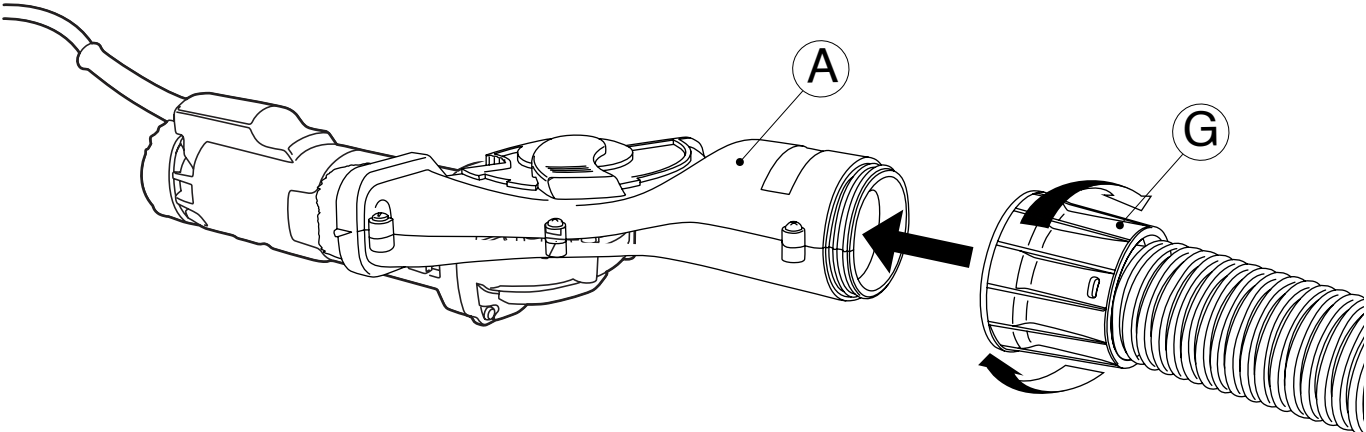
7b



8b



9b



10

