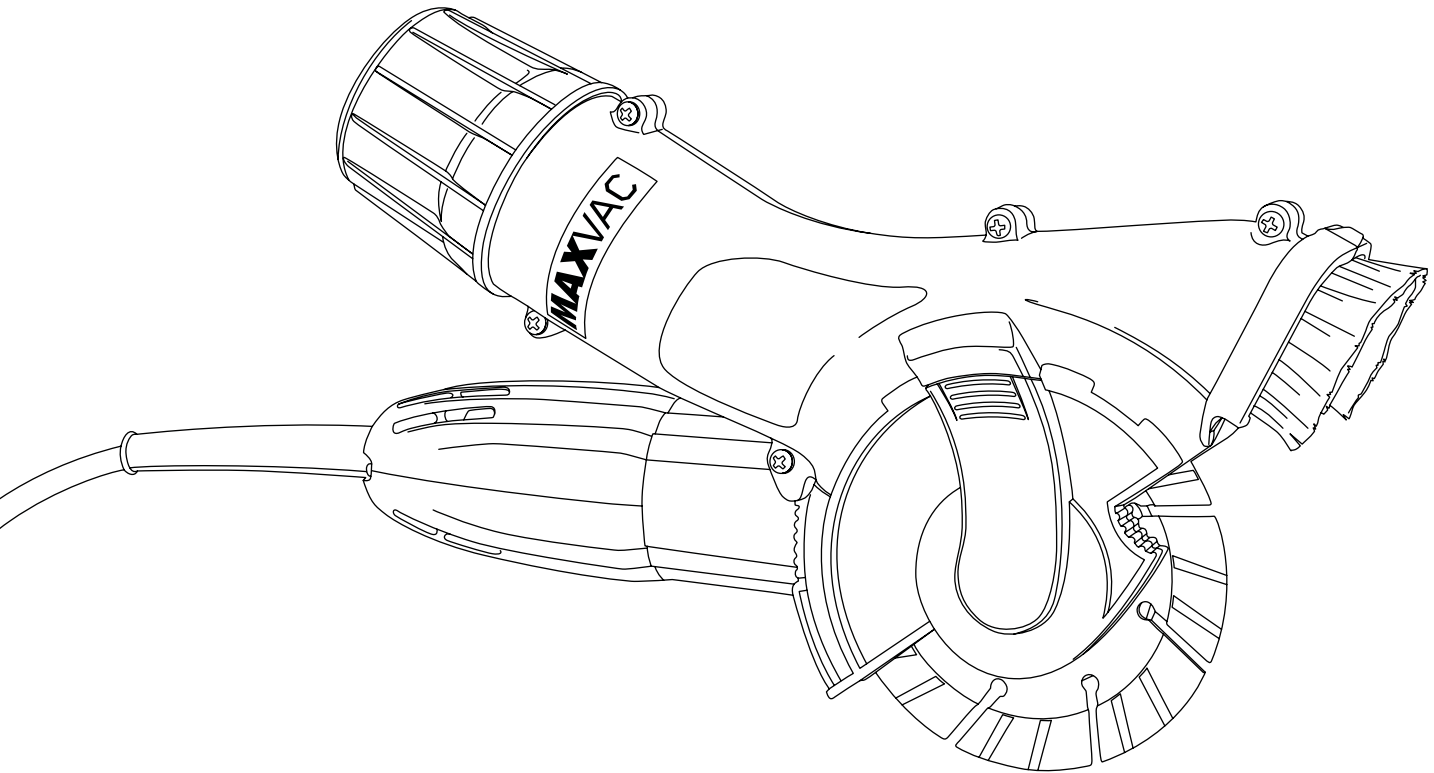
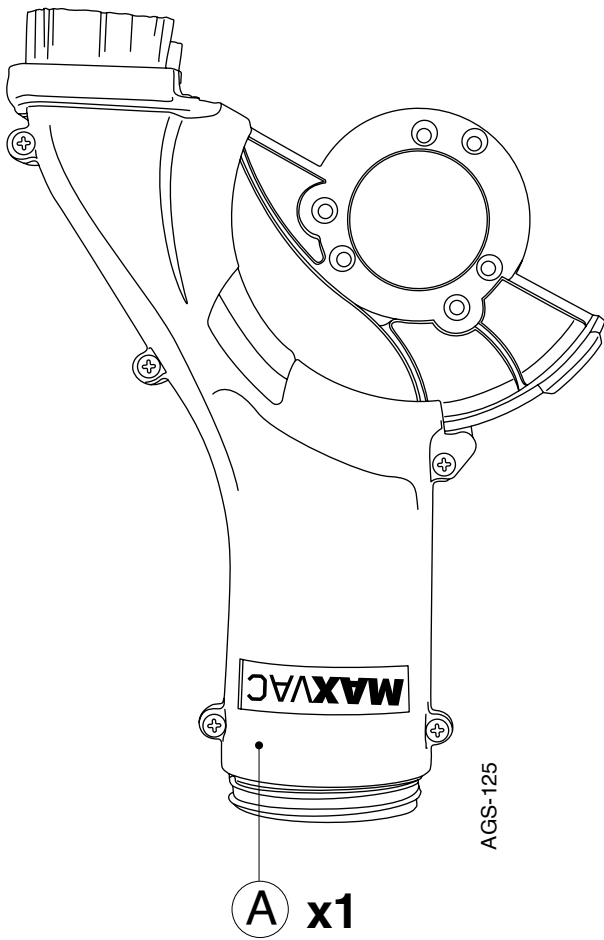




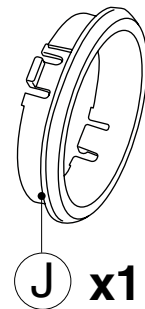
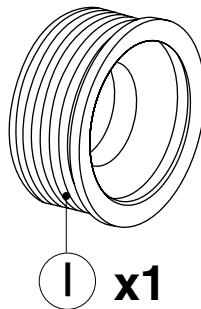
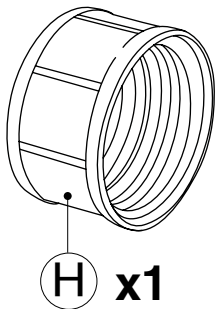
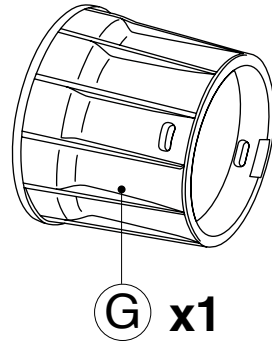
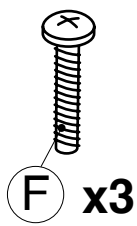
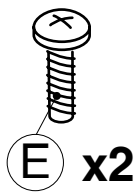
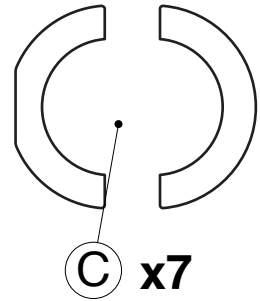
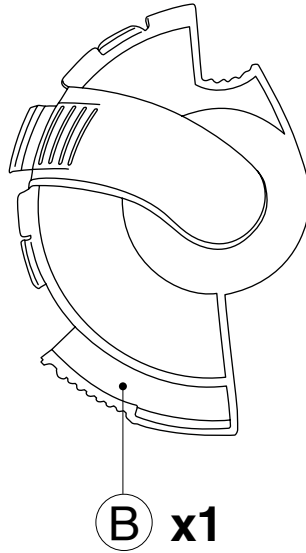
# AGS-125

## Installation Guide Flex Grinders





AGS-125



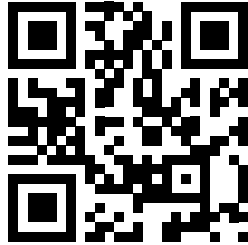
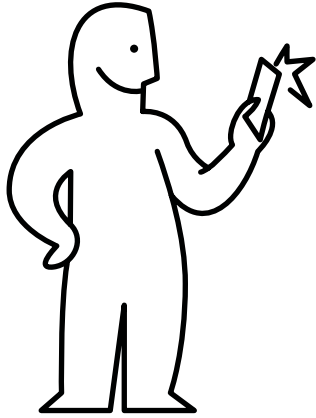
Check your grinder model below to see what Adaptor you will need.

Model Number	Adaptor (C)
L1506VR	1.1
L1510FRA	1.1
L3309FRG	1.1
L3406VRG	1.1
L3410FRG	1.1
L3410VR	1.1
LE14-7 125 inox	1.1
L1000	1.2
L1001	1.2
L10002	1.2
L10003	1.2
L10004	1.2
L10005	1.2
L10006	1.2
L10007	1.2

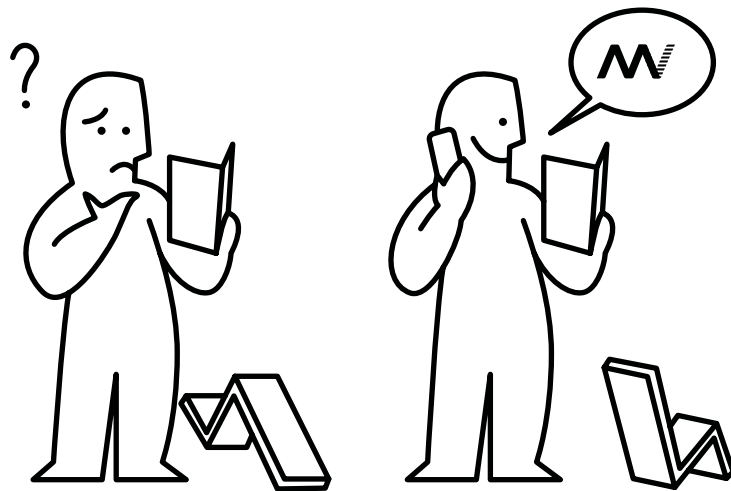
Model Number	Adaptor (C)
L10008	1.2
L10009	1.2
L10010	1.2
L800 / L3709	1.4
L1001	1.5
L10-10	1.5
L810	1.5
L08-11	1.6
L10-11	1.6
L14-11	1.6
LE09-11	1.6
LE14-11	1.6
L15-10	1.7
LB (E) 17-11 125	1.8

Different grinder models need different adaptors. Only 1 adaptor combination per machine. Please see above chart.

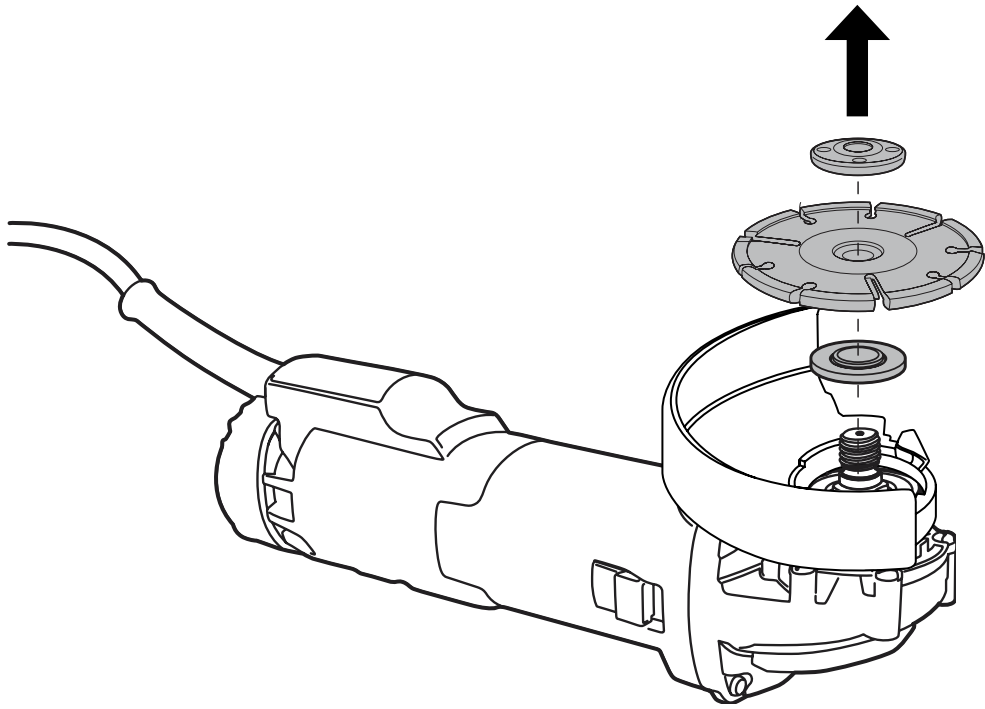
If your grinder model is not listed, please email your grinder brand & model number to [sales@max-vac.com](mailto:sales@max-vac.com) and we will confirm compatibility for you.



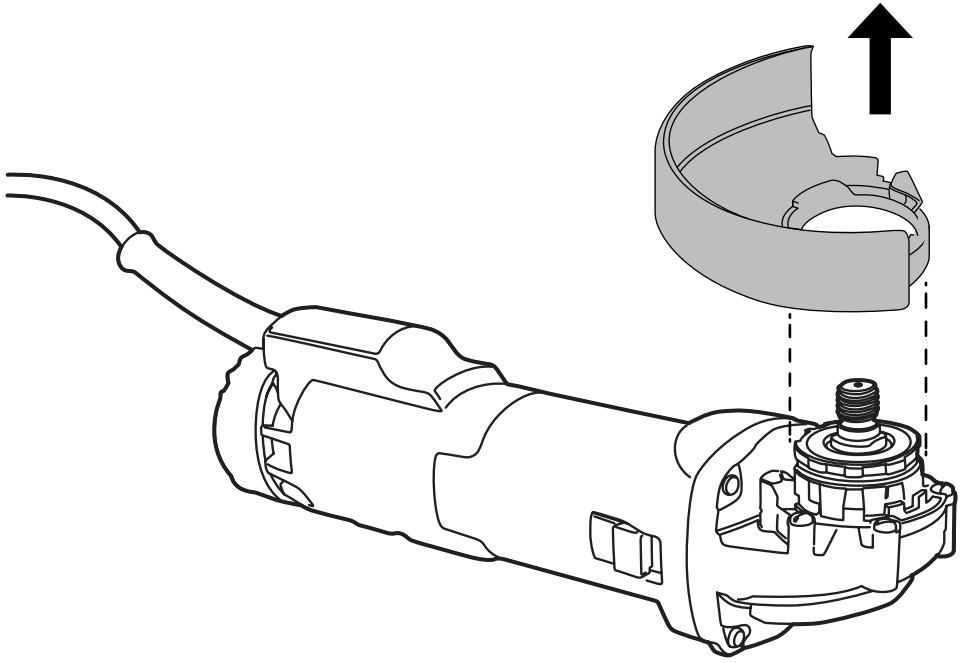
[https://www.youtube.com/watch?v=MTNq\\_NxQi4s](https://www.youtube.com/watch?v=MTNq_NxQi4s)



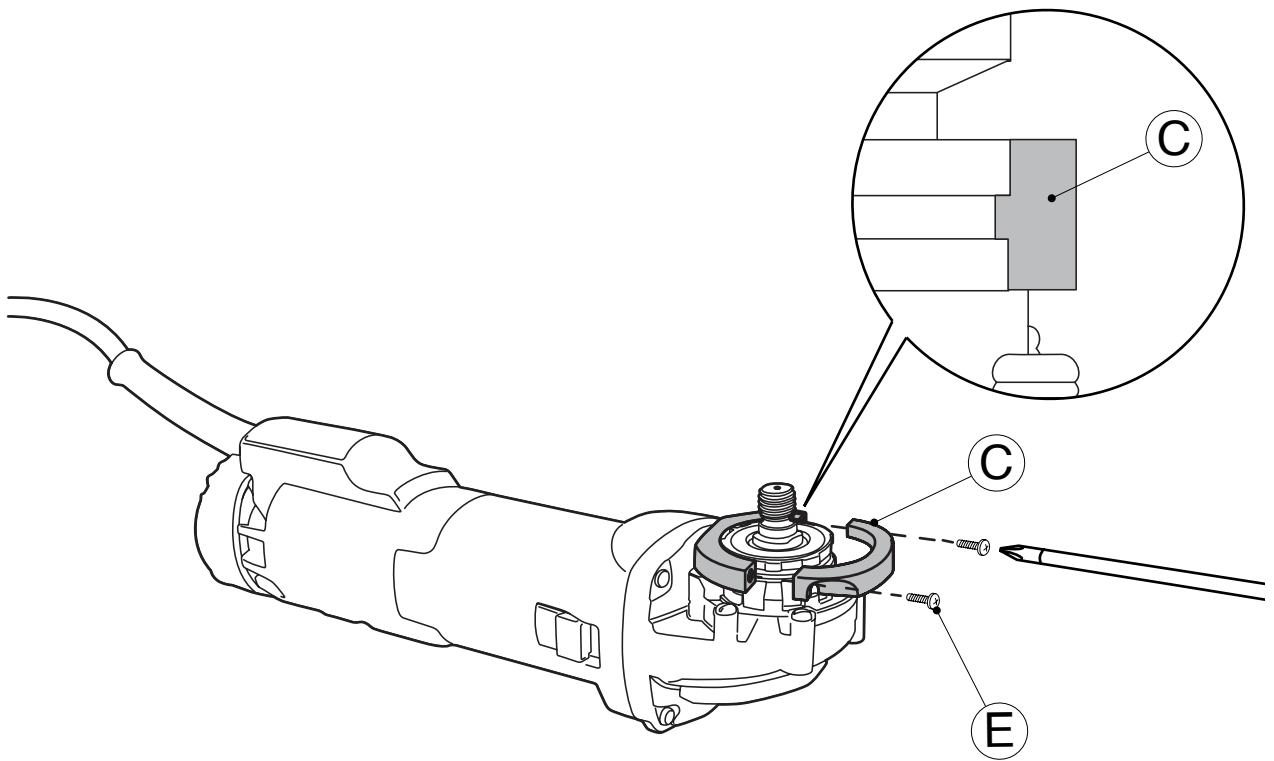
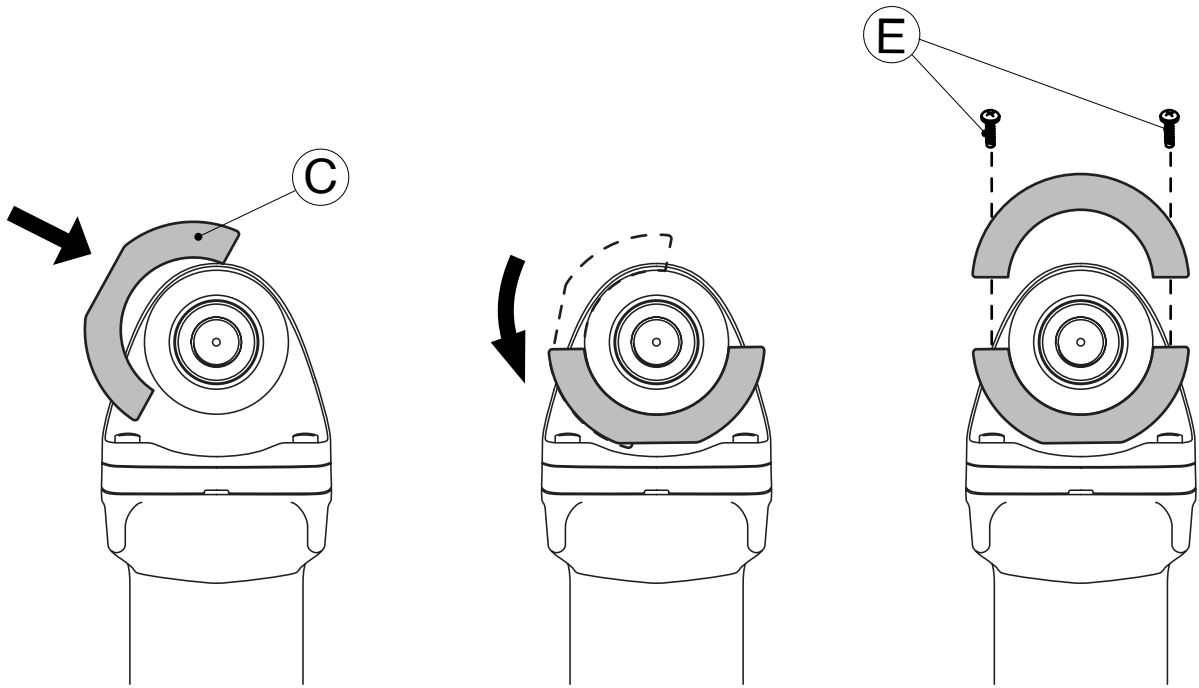
**1**



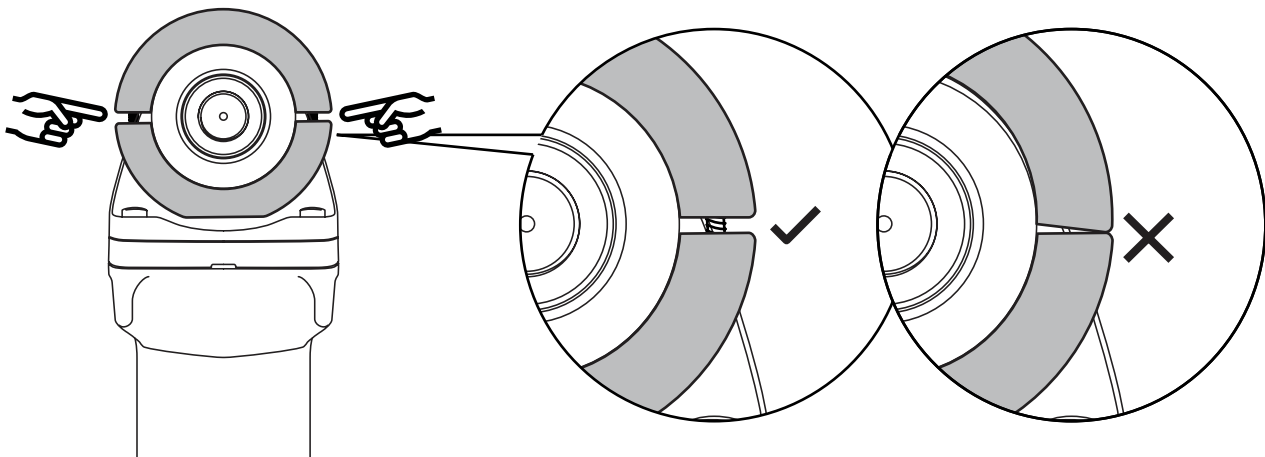
**2**



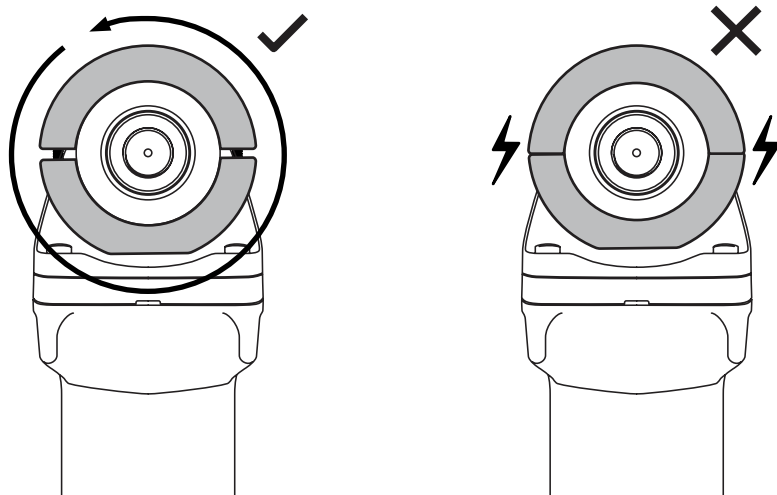
3



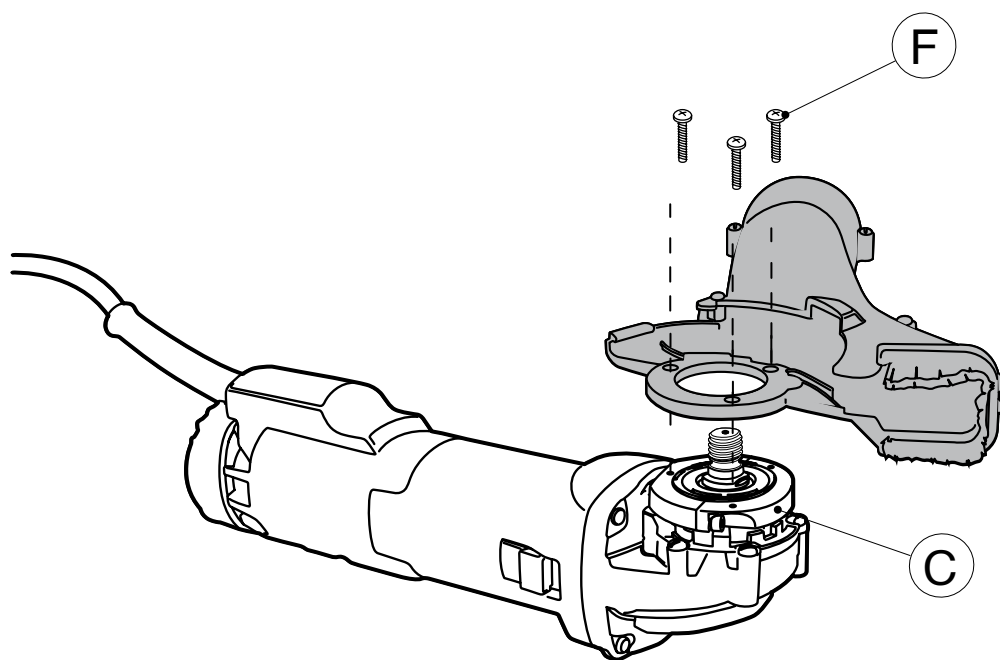
!



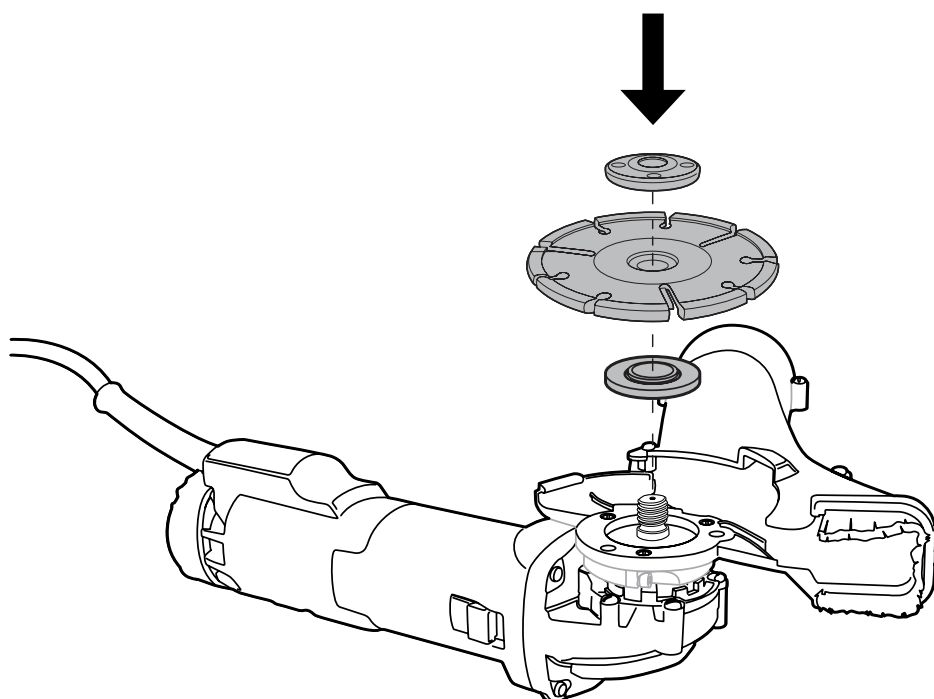
!



4

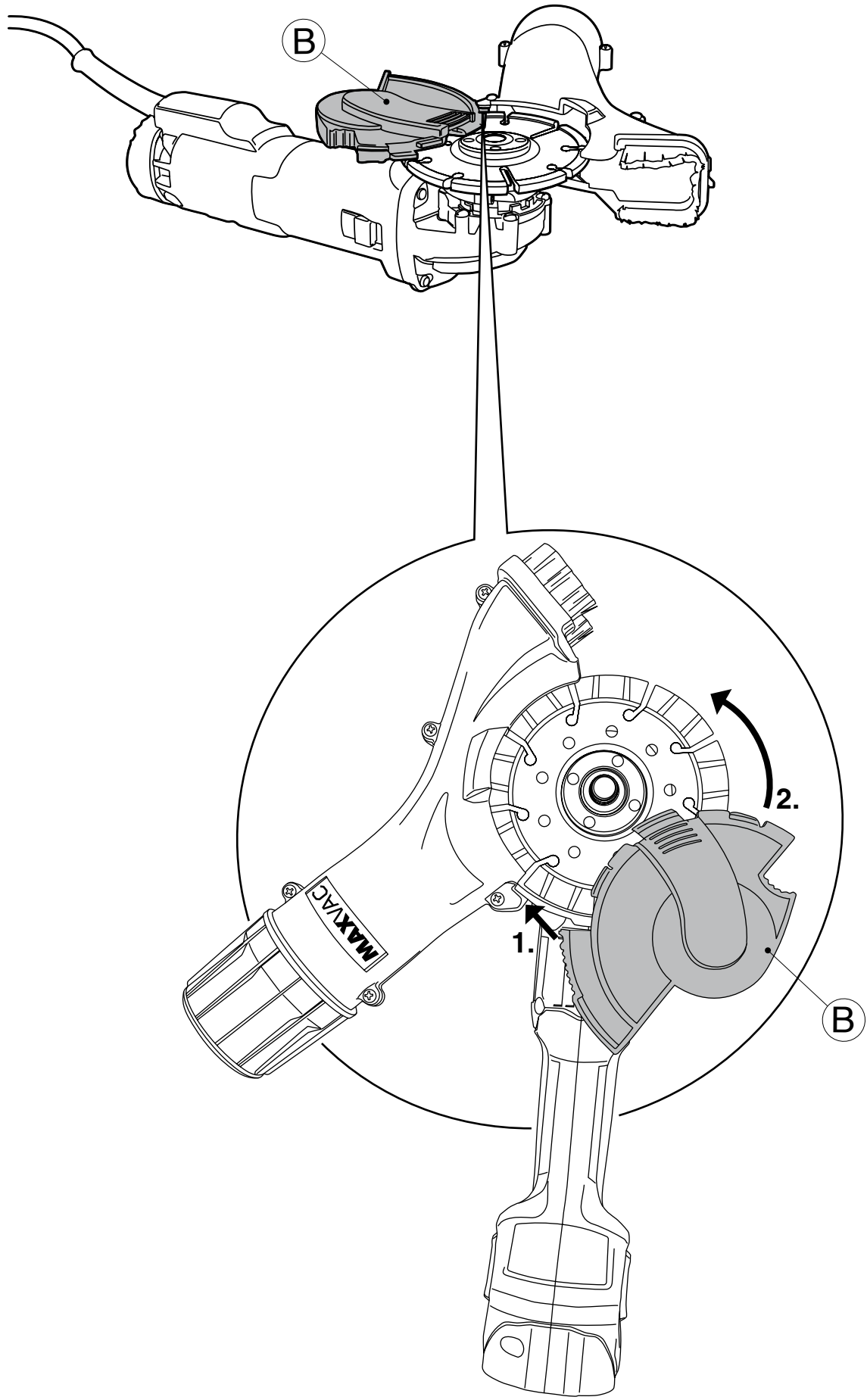


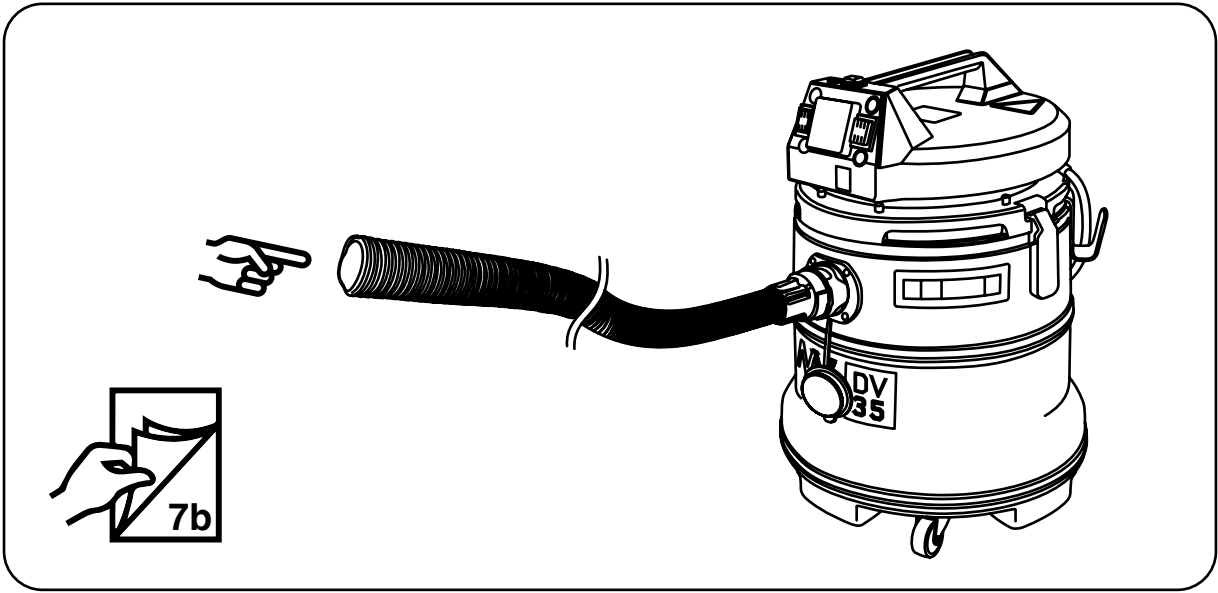
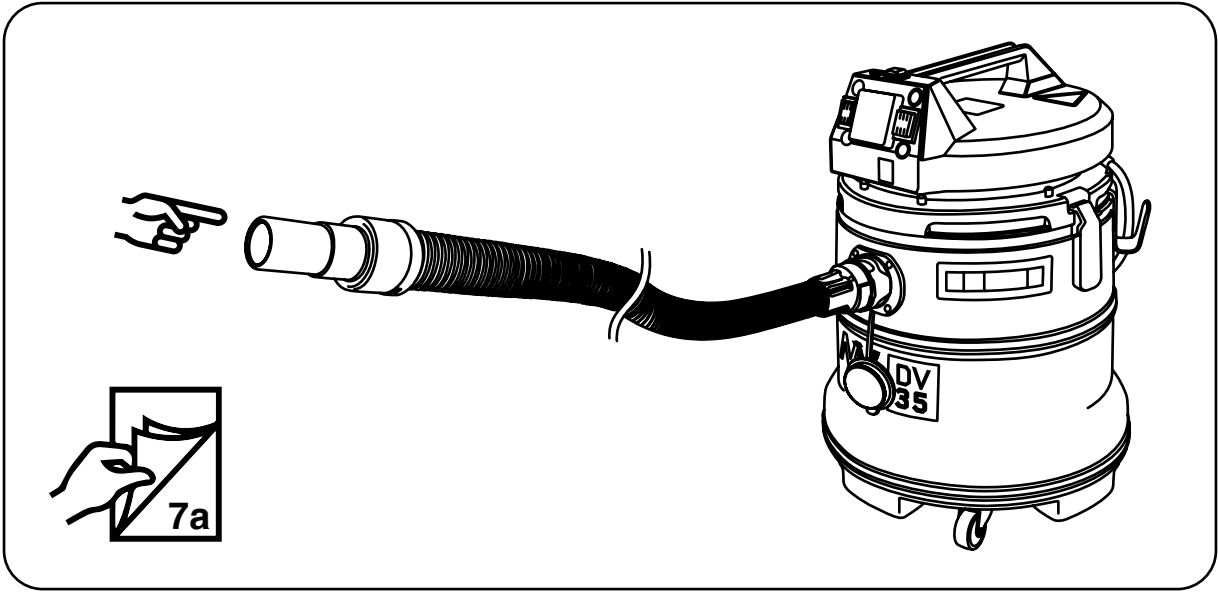
5



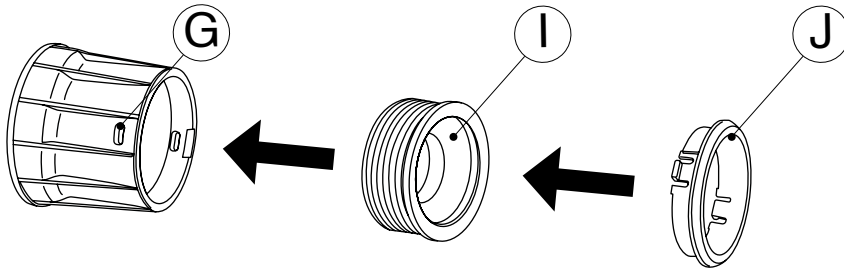


6

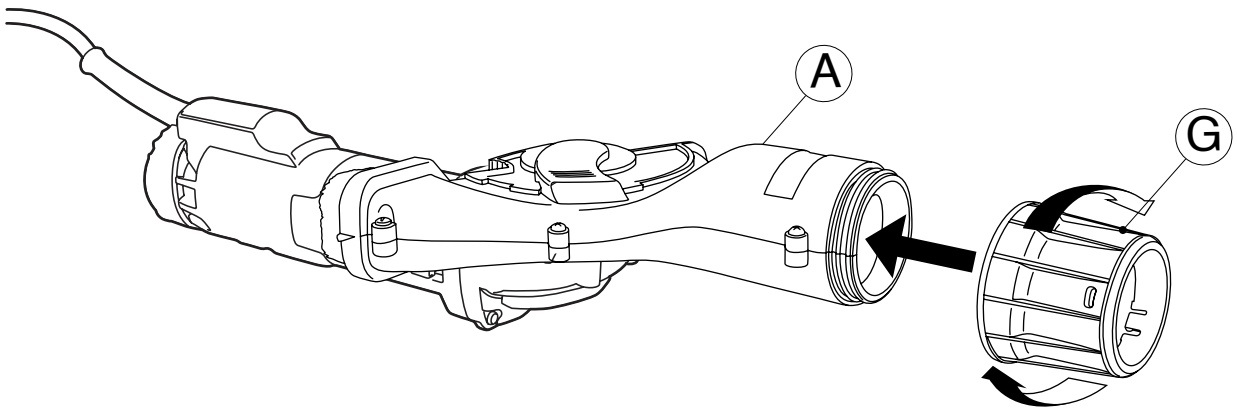




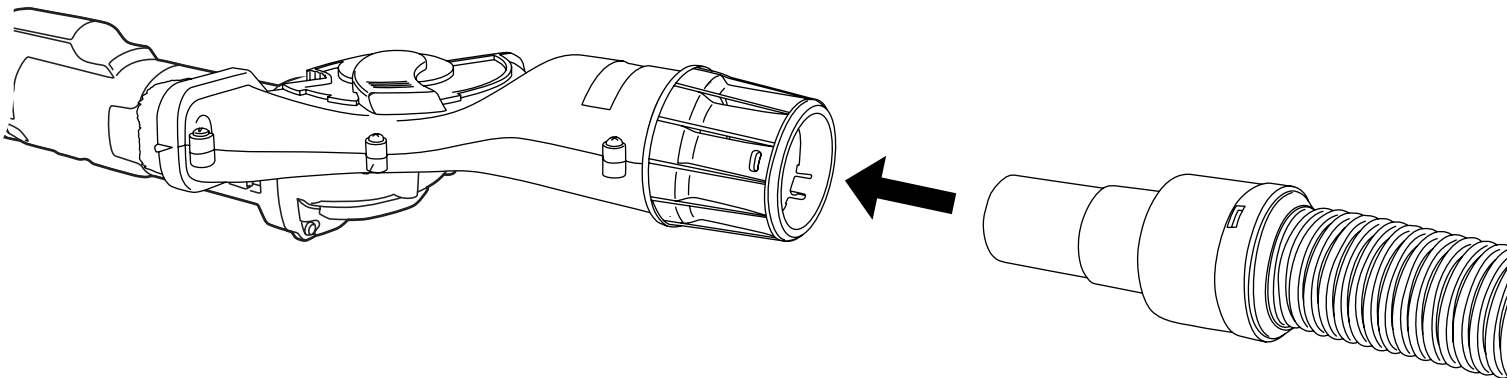
**7a**



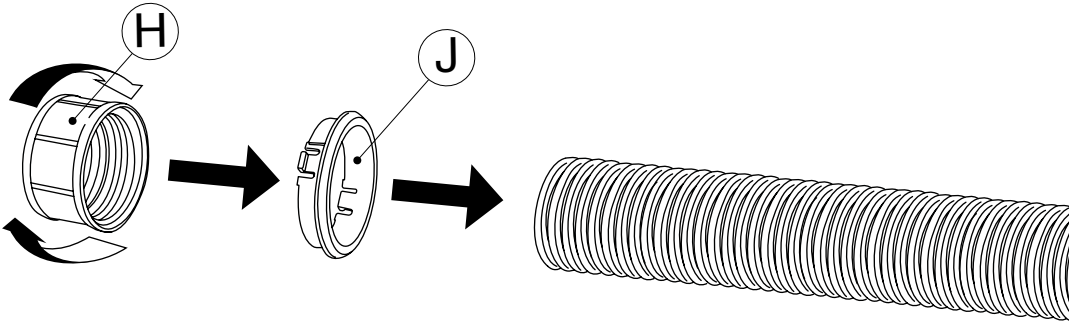
**8a**



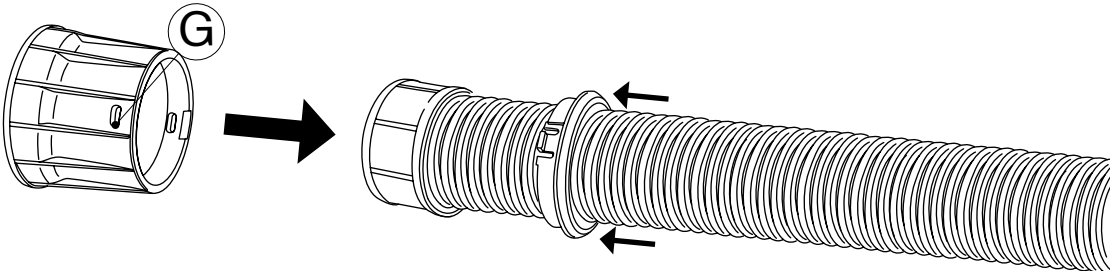
**9a**



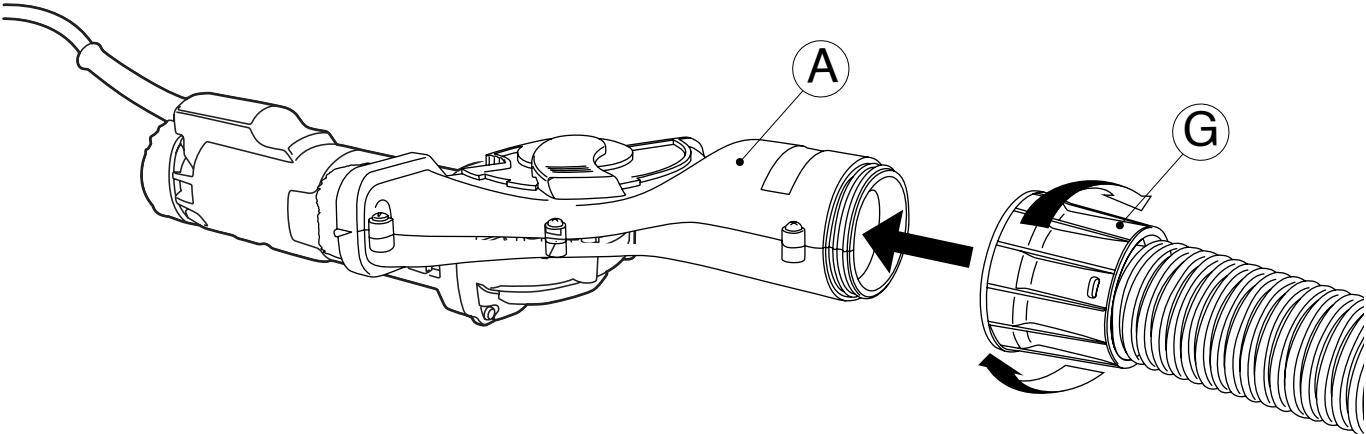
**7b**



**8b**



**9b**



10

