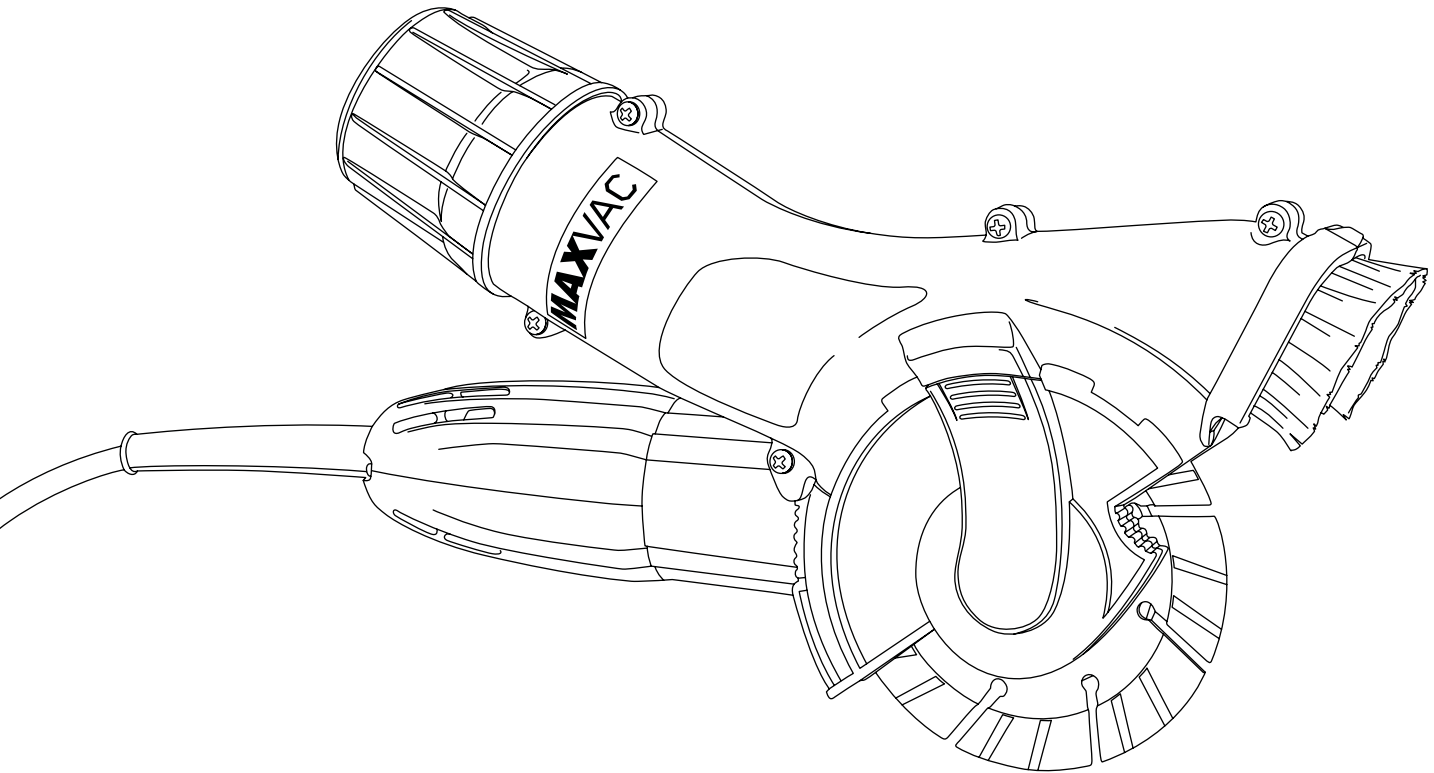
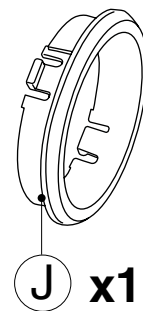
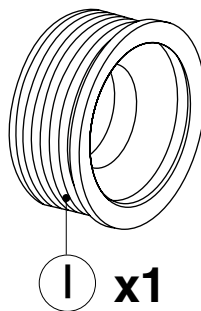
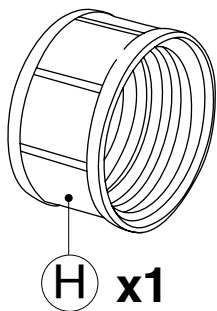
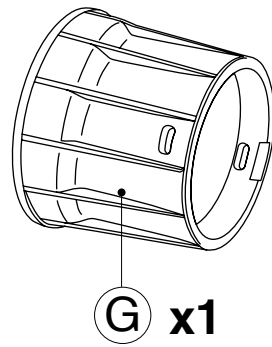
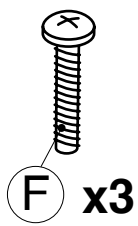
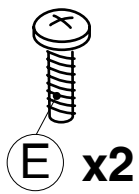
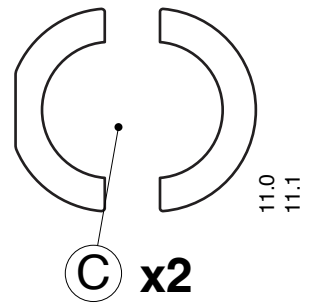
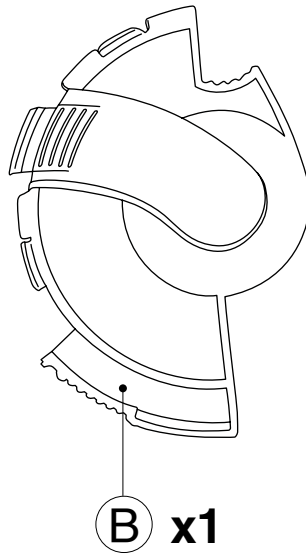
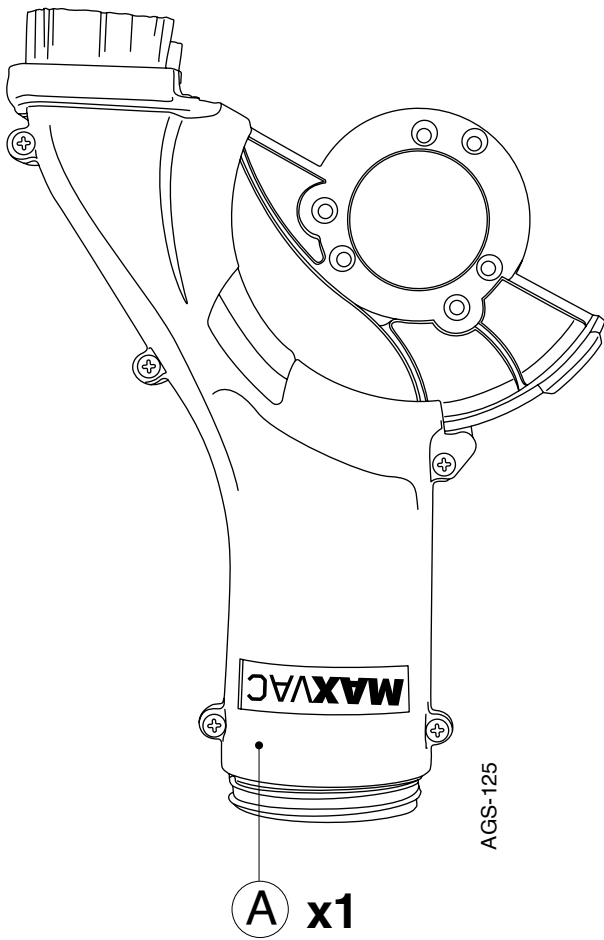




AGS-125

Installation Guide Fein Grinders



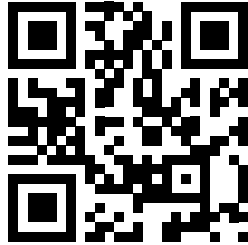
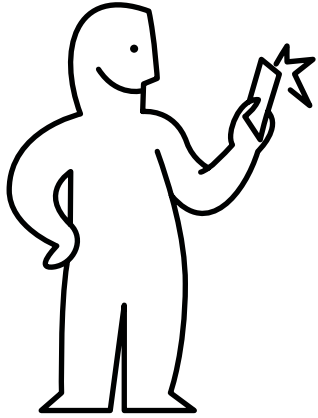


Check your grinder model below to see what Adaptor you will need.

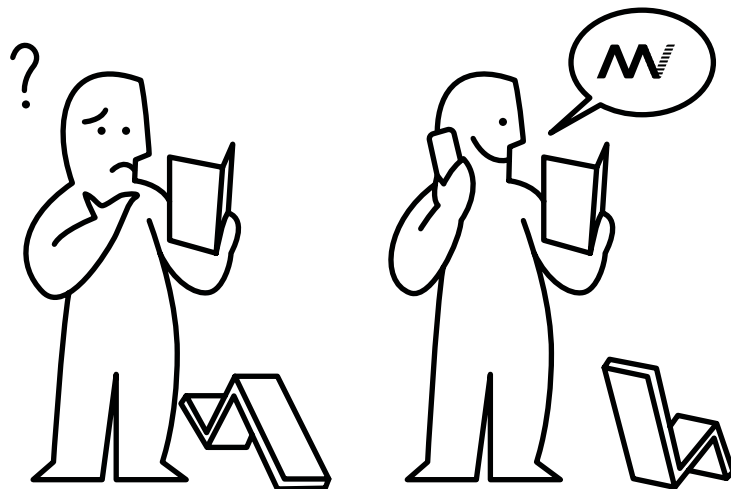
Model Number	Adaptor (C)
WSB13-125	11.0
WSG14-125	11.0
WSS12-125	11.0
WSS14-125	11.0
WSG11-125	11.1

Different grinder models need different adaptors. Only 1 adaptor combination per machine. Please see above chart.

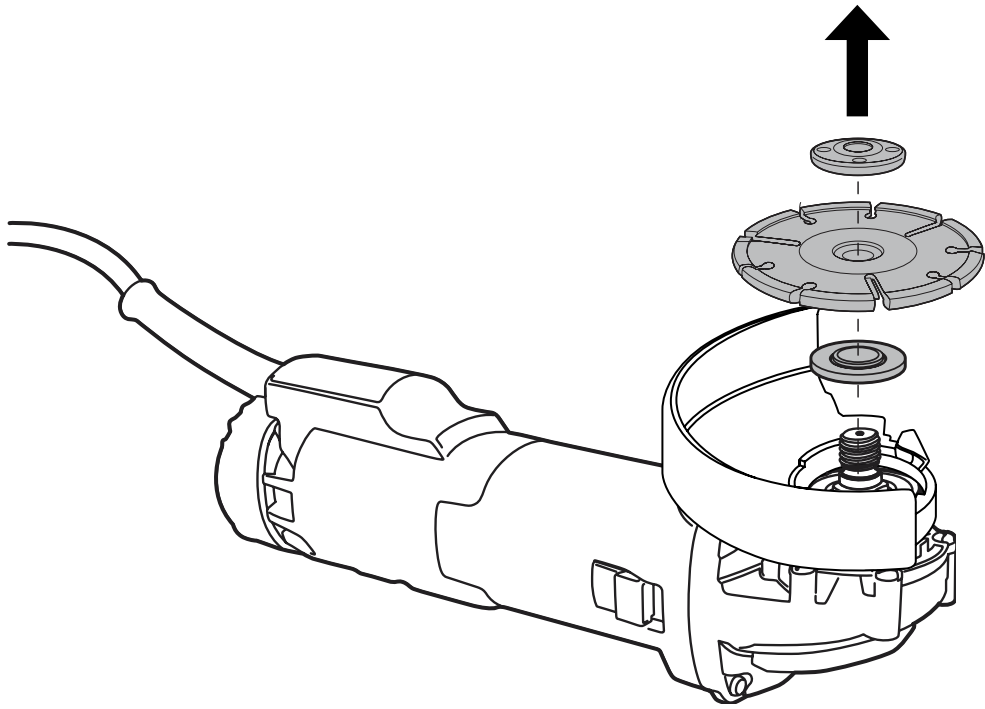
If your grinder model is not listed, please email your grinder brand & model number to sales@max-vac.com and we will confirm compatibility for you.



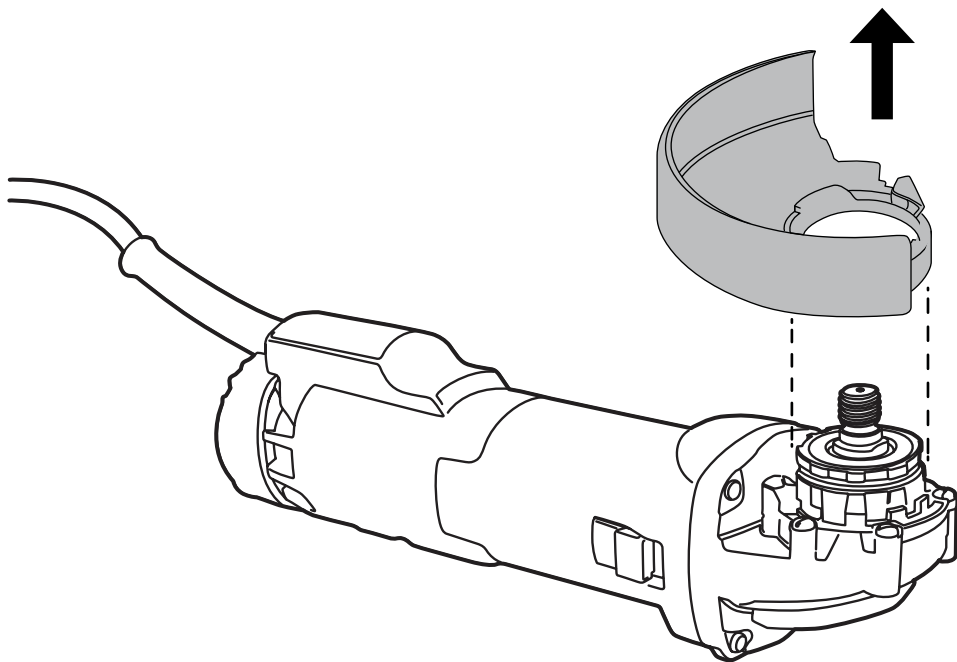
https://www.youtube.com/watch?v=MTNq_NxQi4s



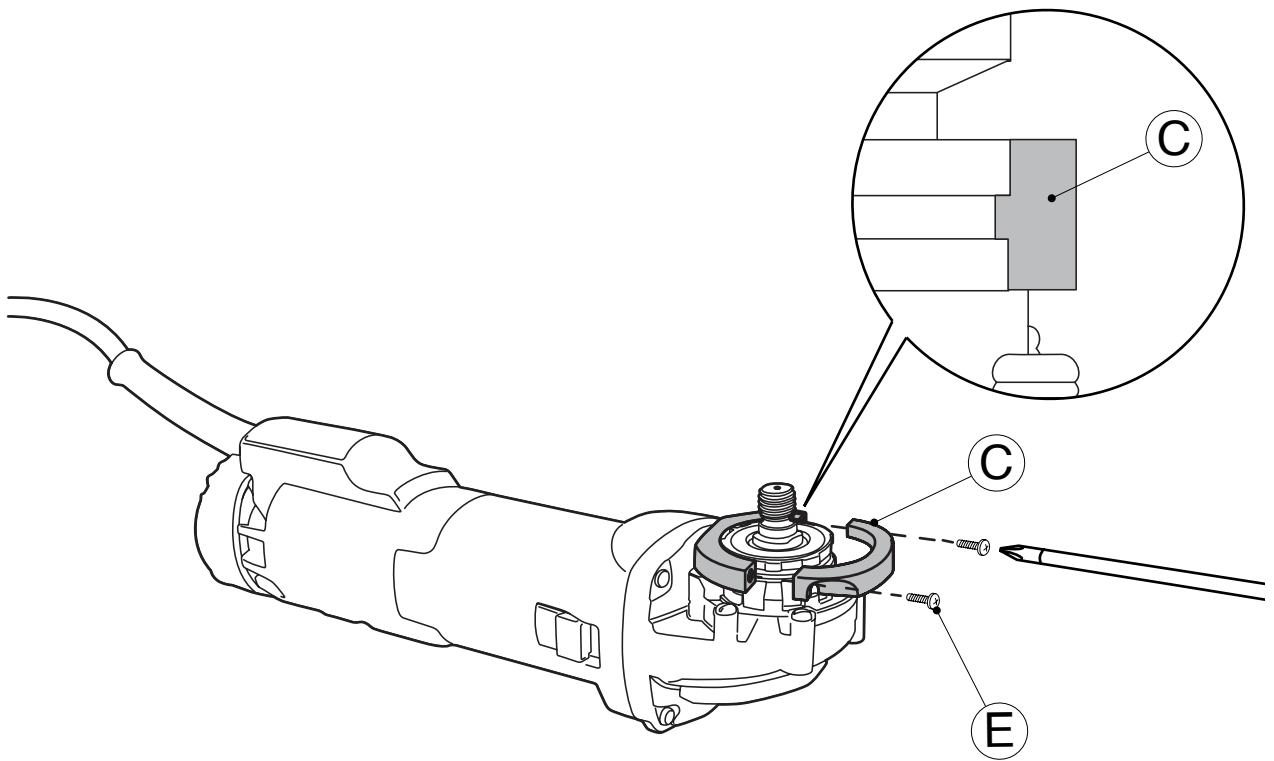
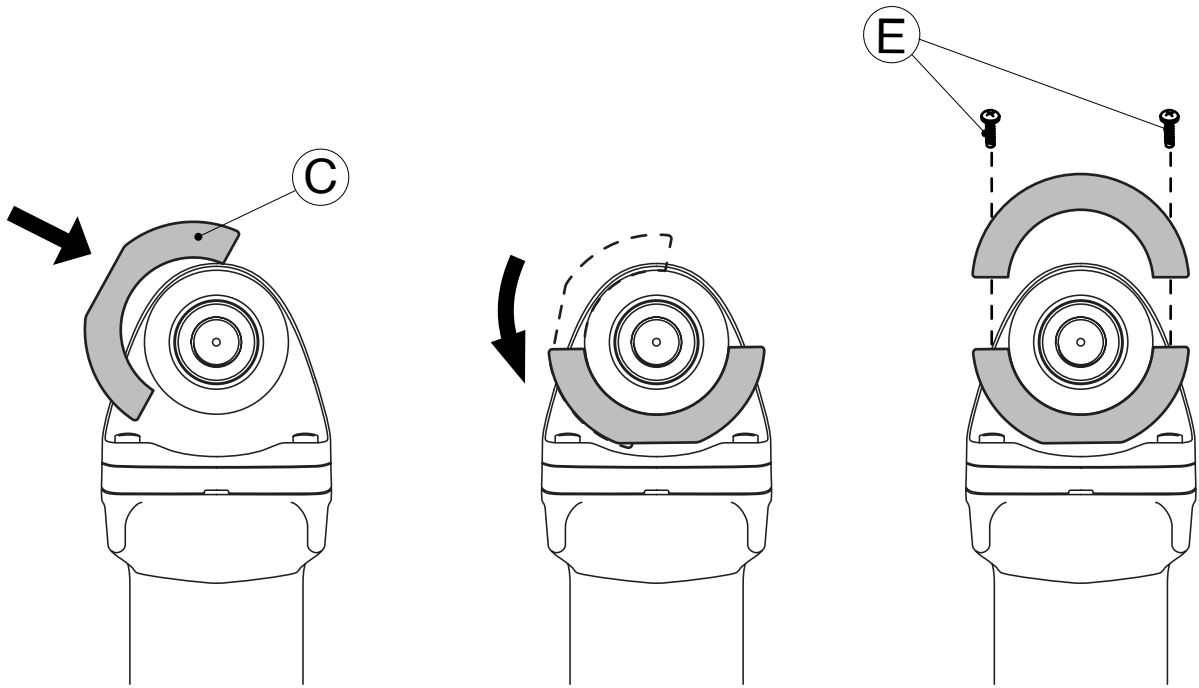
1



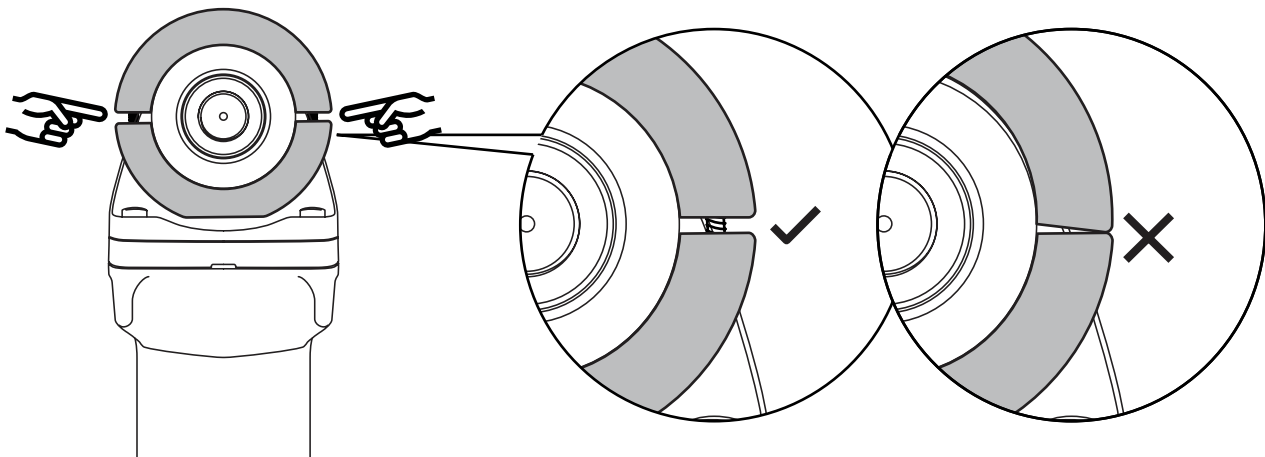
2



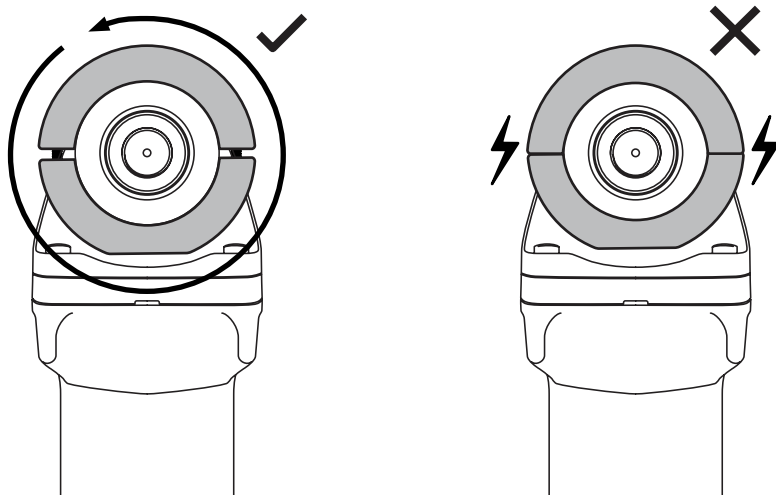
3



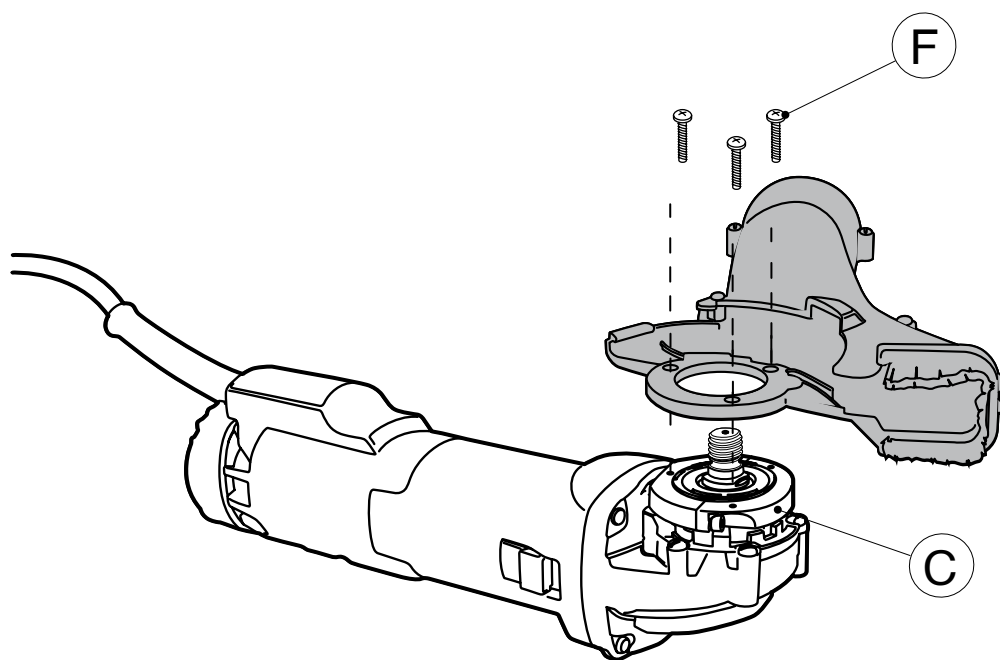
!



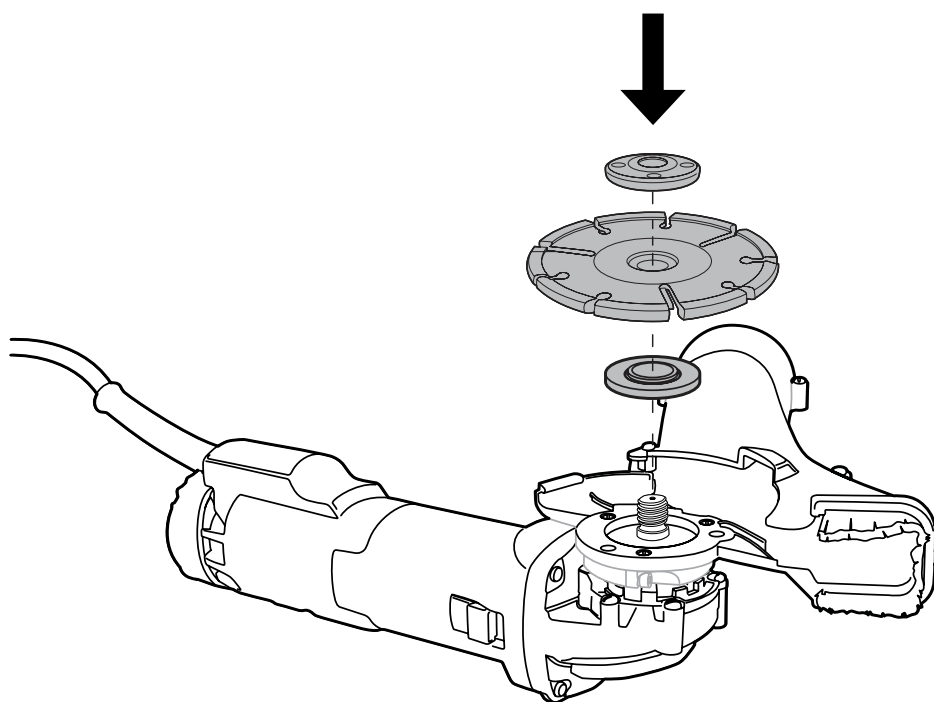
!



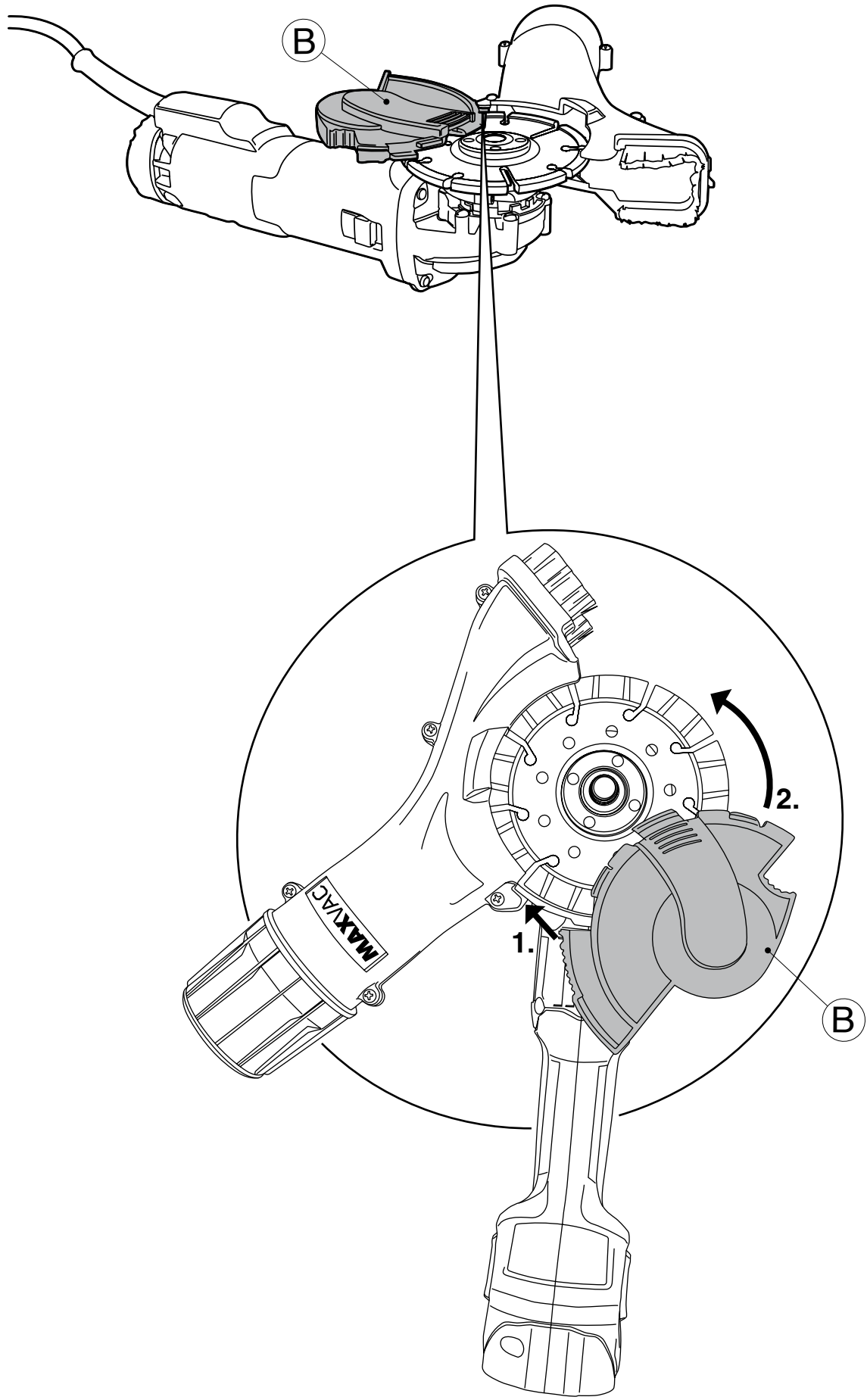
4

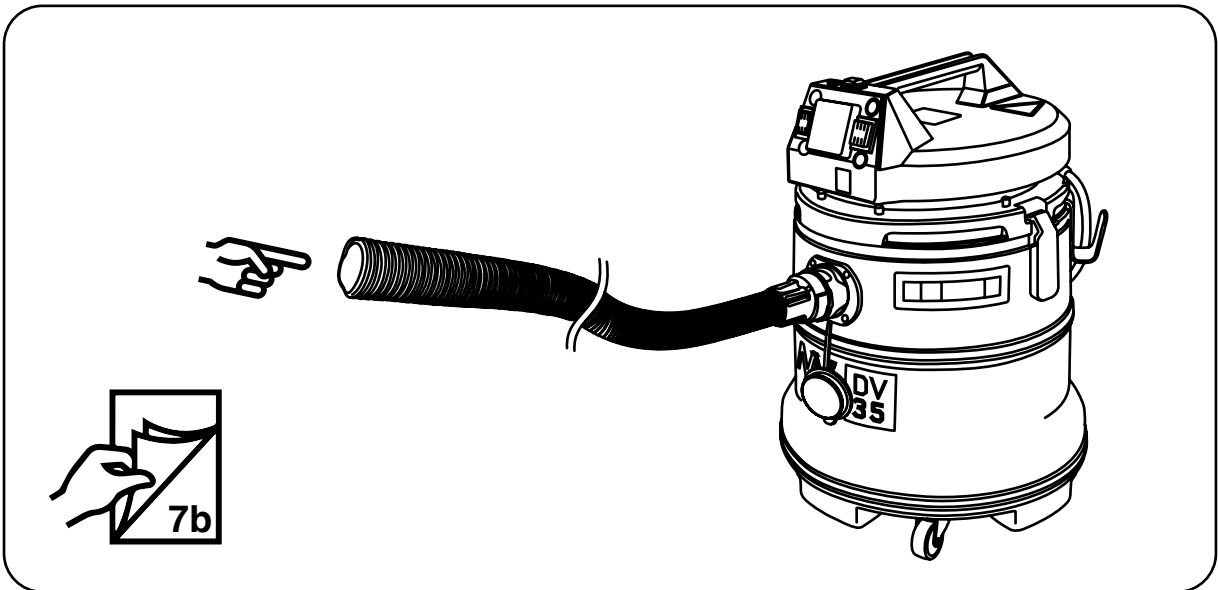
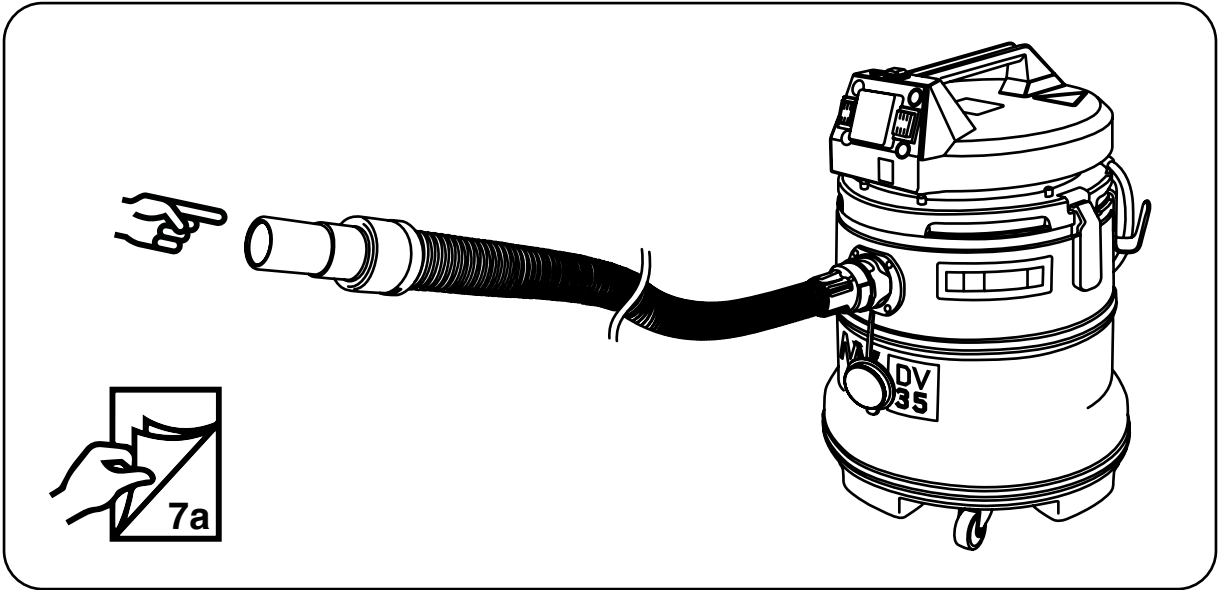


5

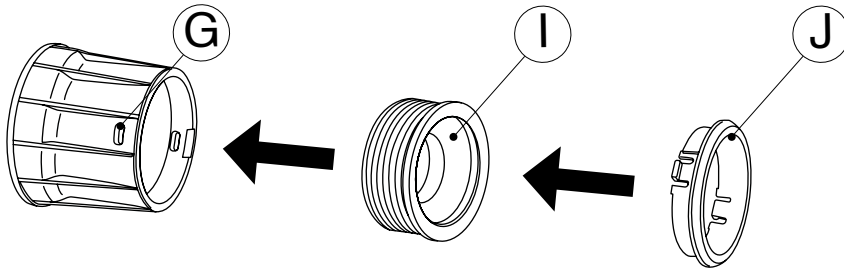


6

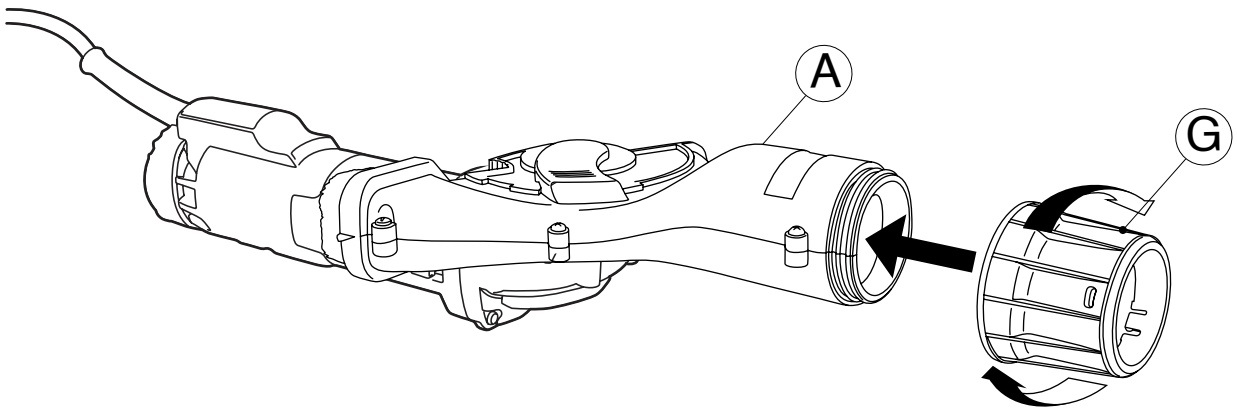




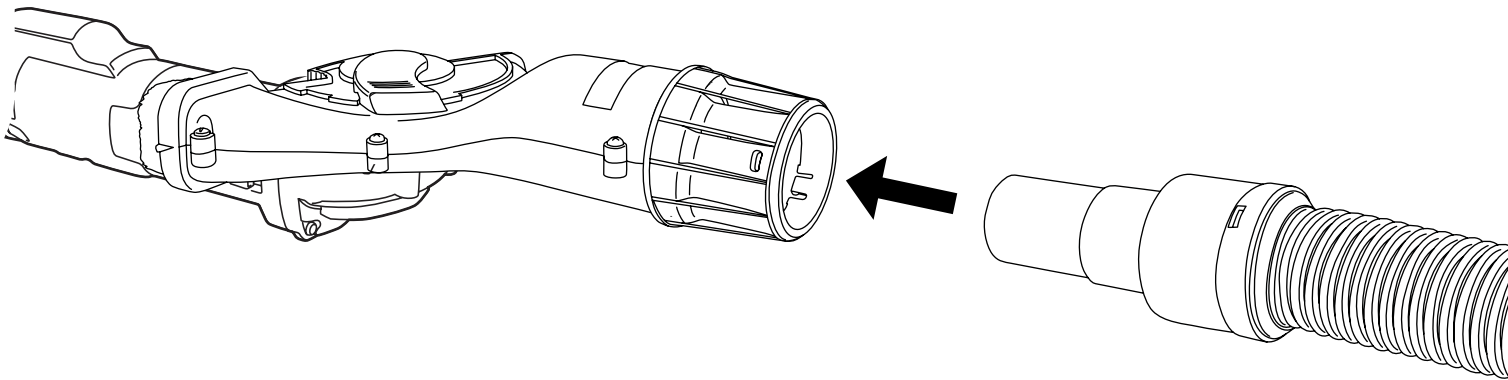
7a



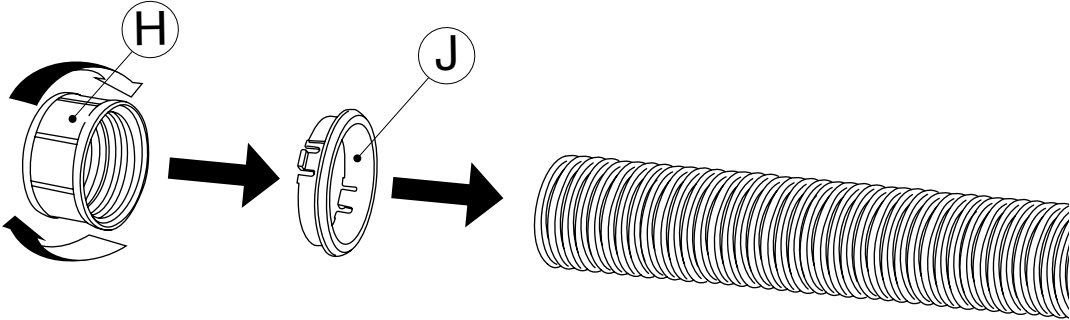
8a



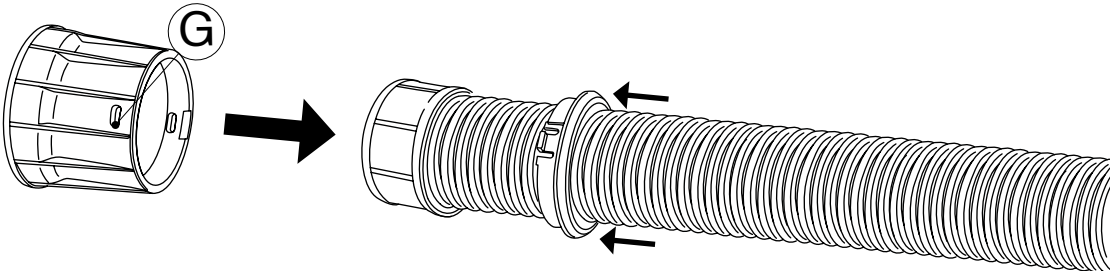
9a



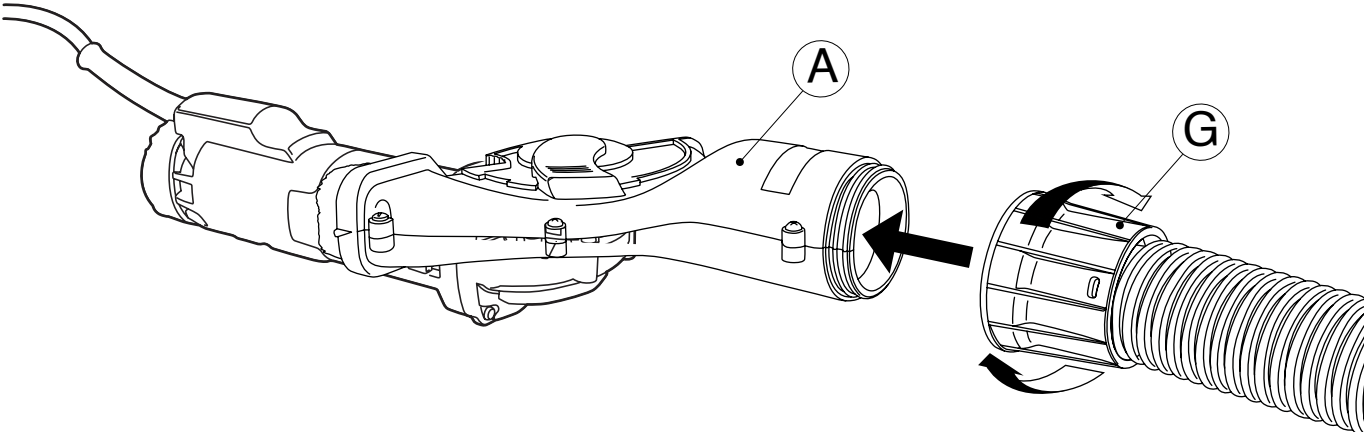
7b



8b



9b



10

