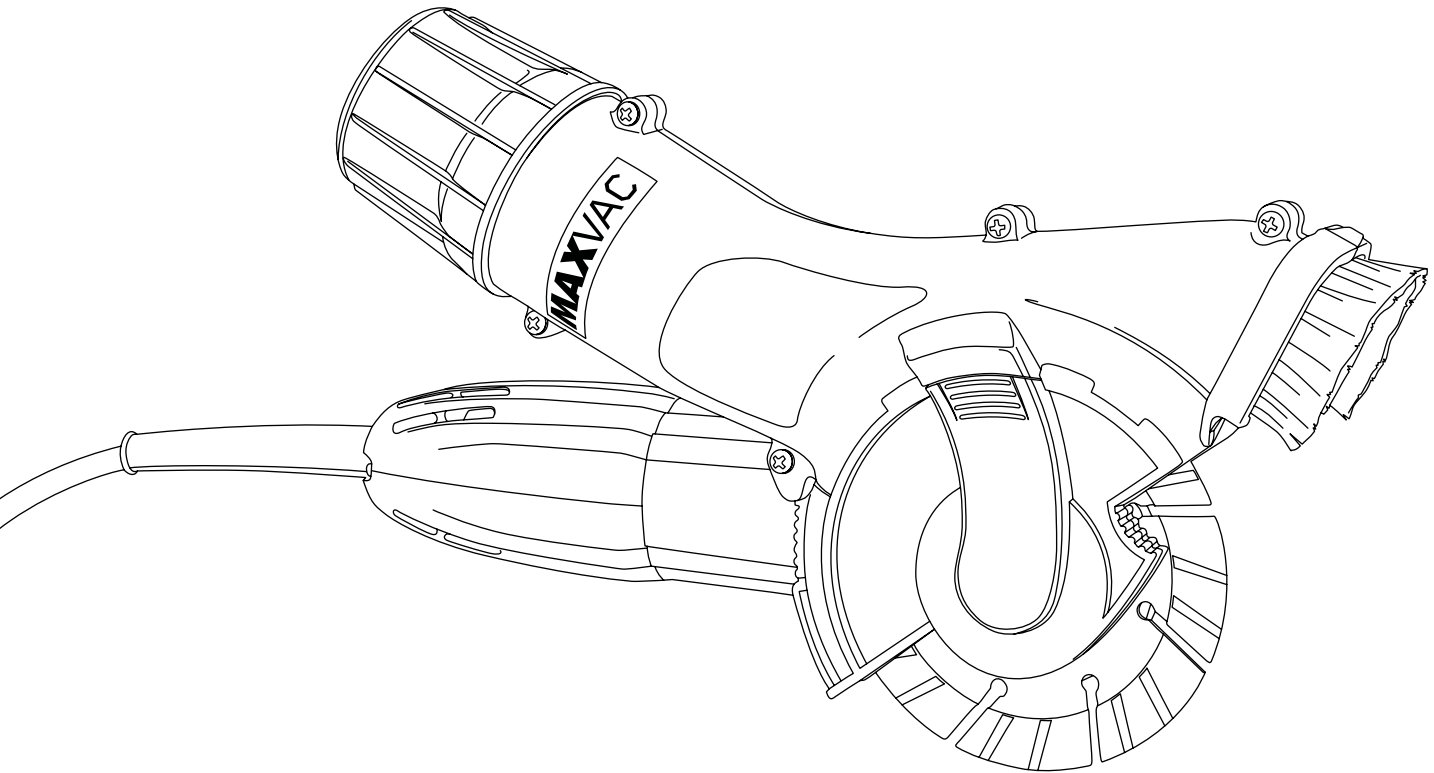
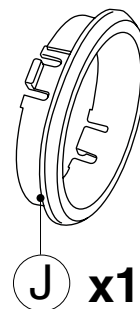
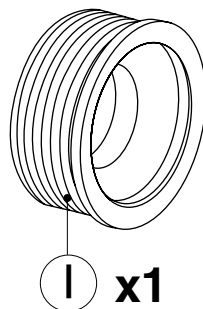
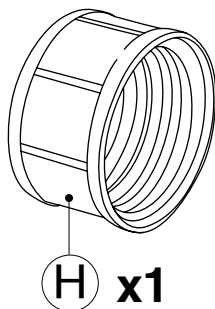
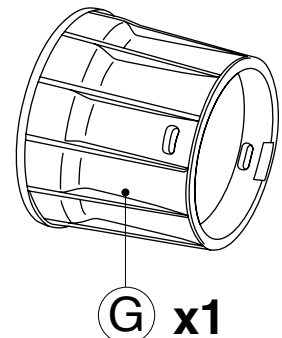
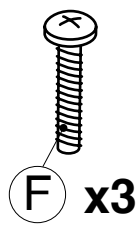
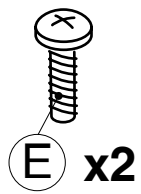
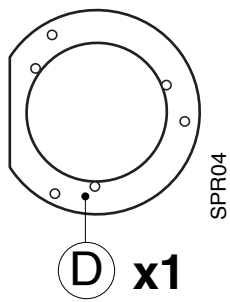
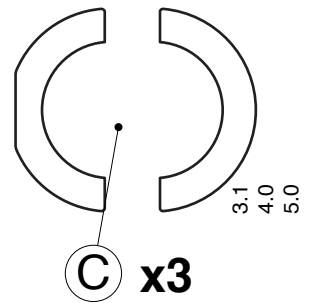
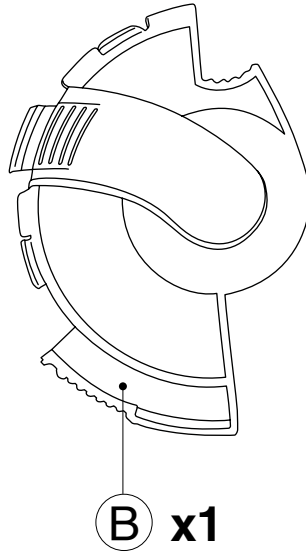
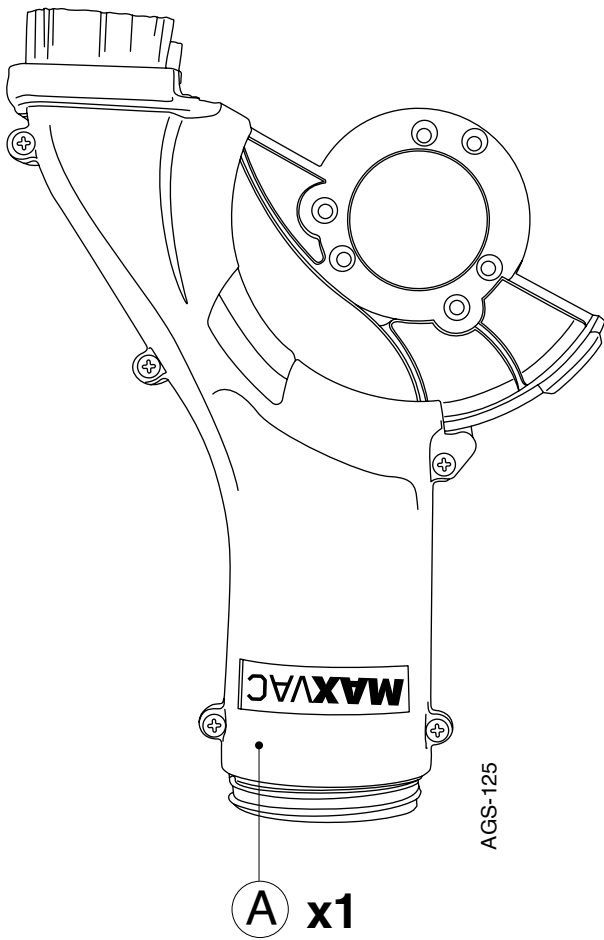




AGS-125

Installation Guide Bosch Grinders



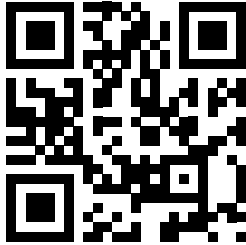
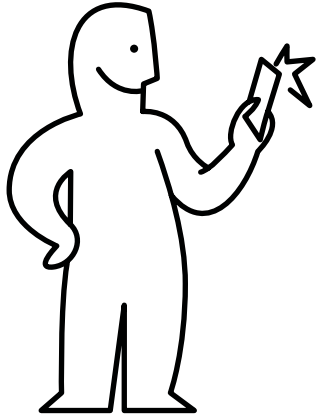


Check your grinder model below to see what Adaptor (and Spacer) you will need.

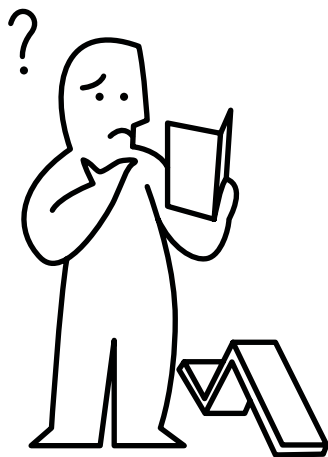
Model Number	Adaptor (C)	Spacer (D)	Model Number	Adaptor (C)	Spacer (D)
G/P WS 13-125 CE	4.0		GWS 17 125CF	4.0	
GWS 1000	4.0		GWS 19-125 CIE	4.0	
GWS 10-125 (green letter)	4.0		GWS 9-115P	4.0	
GWS 10-125 CE	4.0		GWS17 125CF	4.0	
GWS 10-125 Z	4.0		GWS 660 / GWS700	5.0	
GWS 11-125 CI	4.0		GWS750	5.0	
GWS 11-125 CIE	4.0		GWS880	5.0	
GWS 11-125 CIH	4.0		GWS6-115	5.0	
GWS 11-125CI	4.0		GWS9-115S	5.0	
GWS 12 CI	4.0		18V-10SC	5.0	
GWS 1400	4.0		850 W. model	5.0	
GWS 14-125 CI	4.0		GWS 7 - 115	5.0	
GWS 14-125 CIE	4.0		GWS 8-125	5.0	
GWS 15-125 CIEH	4.0		GWS 18-125V-LI (battery)	3.1	SPR04
GWS 15-125 CIH	4.0		PWS 10-125 CE	5.0	
GWS 15-125 CITH	4.0		PWS700	5.0	

Different grinder models need different adaptors and spacers. Only 1 adaptor & spacer combination per machine. Please see above chart.

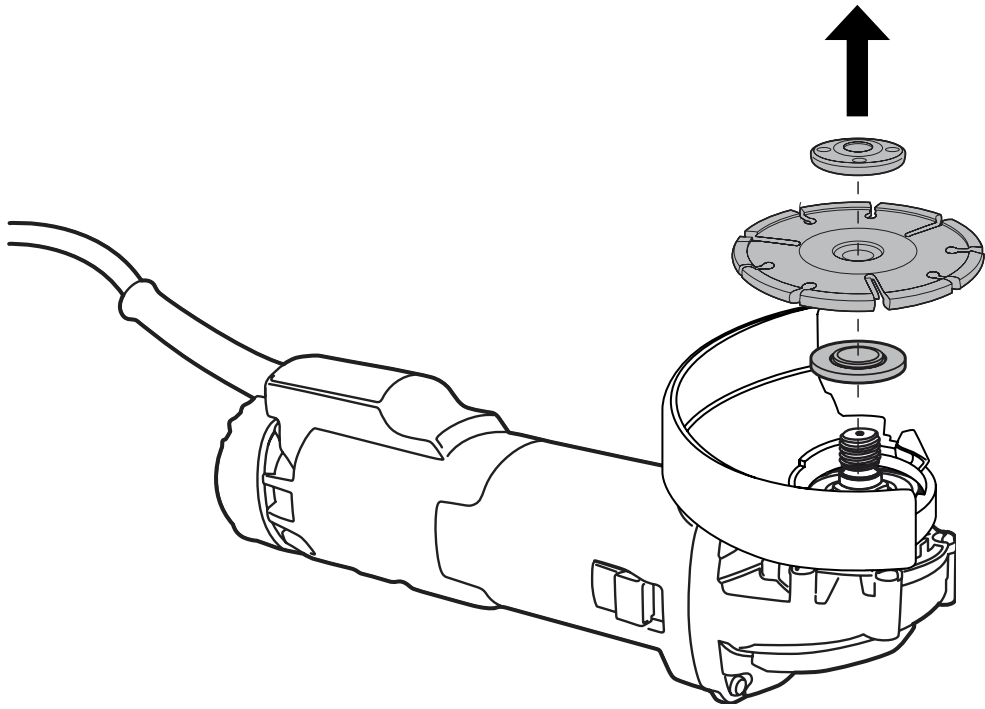
If your grinder model is not listed, please email your grinder brand & model number to sales@max-vac.com and we will confirm compatibility for you.



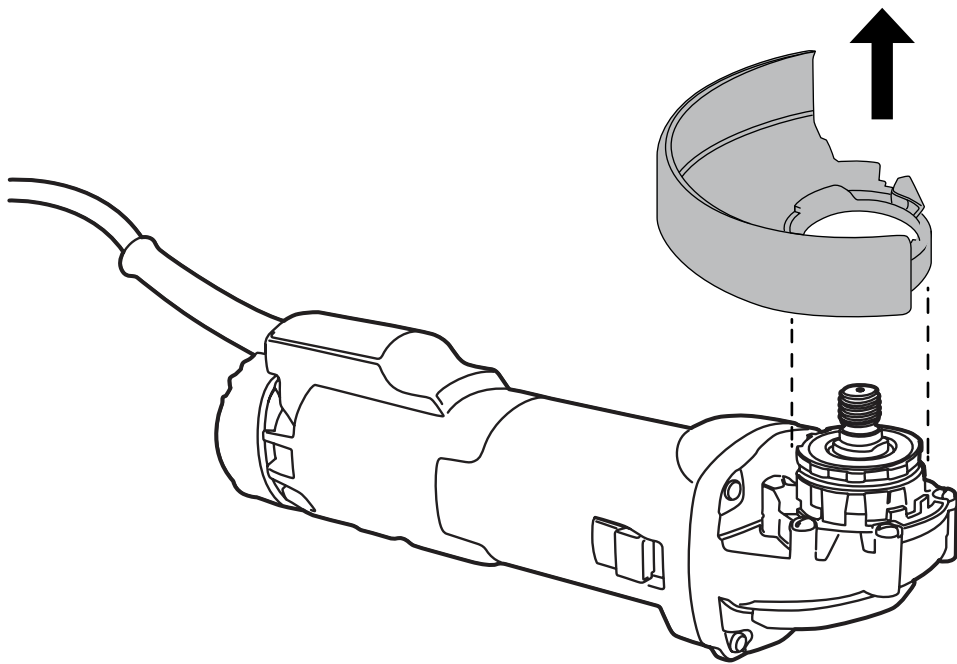
www.youtube.com/watch?v=MTNq_NxQi4s



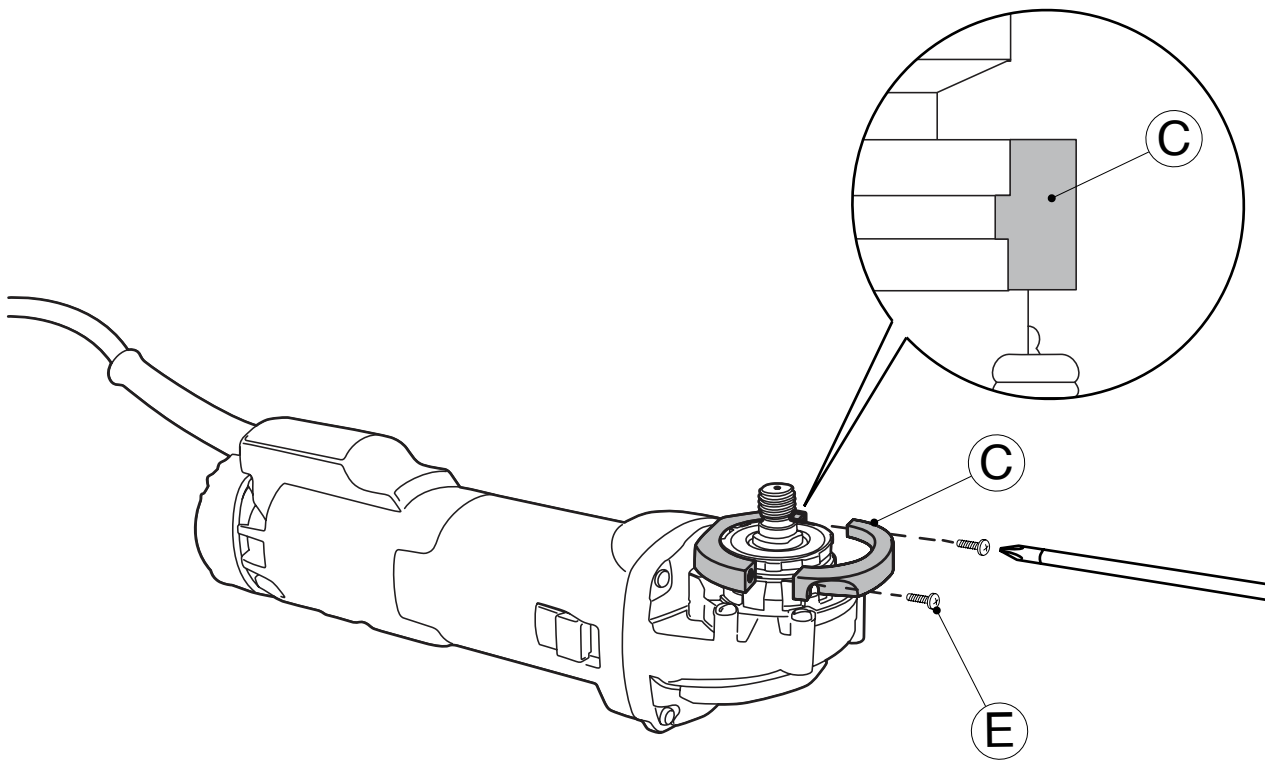
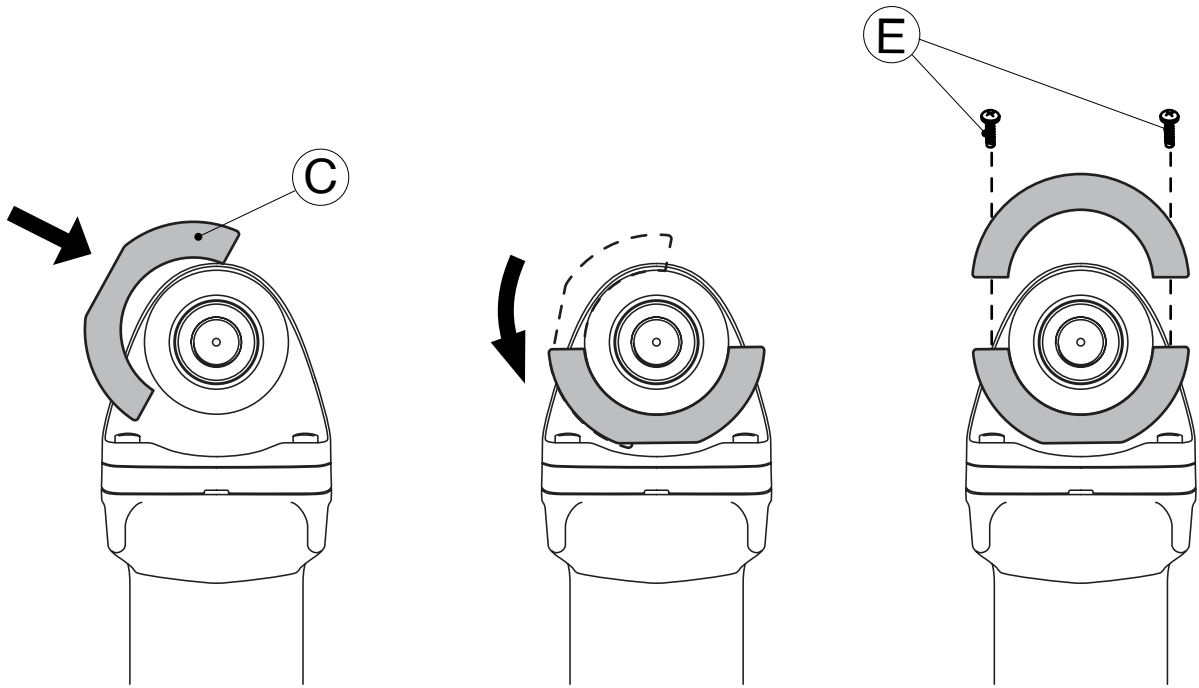
1



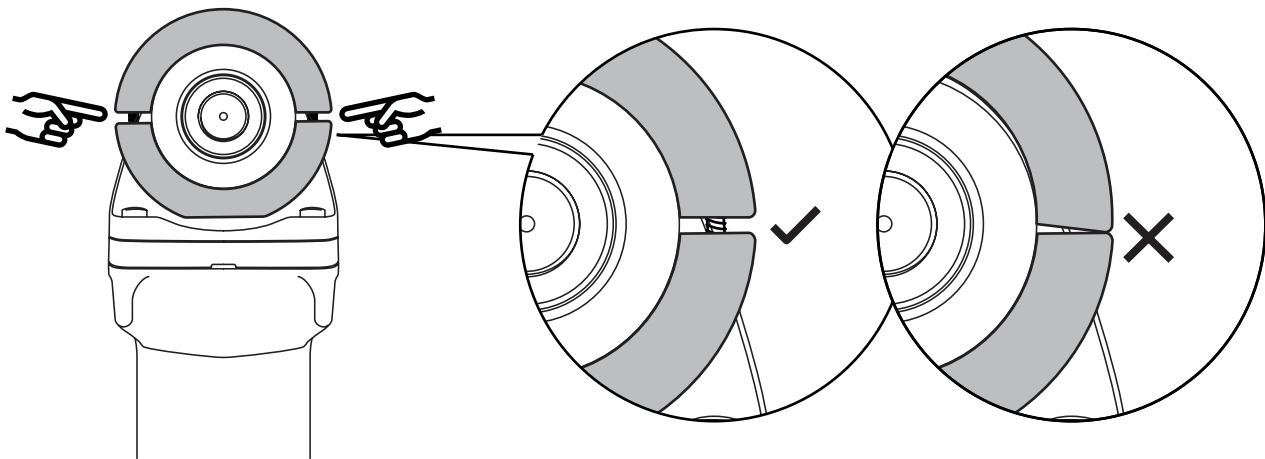
2



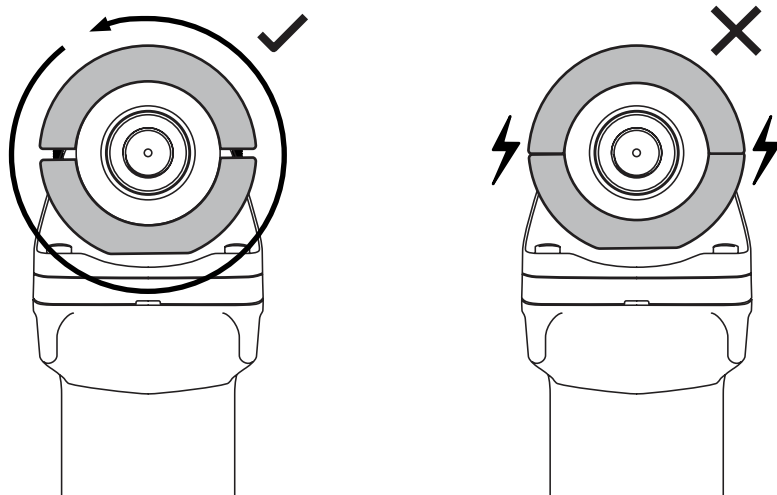
3



!

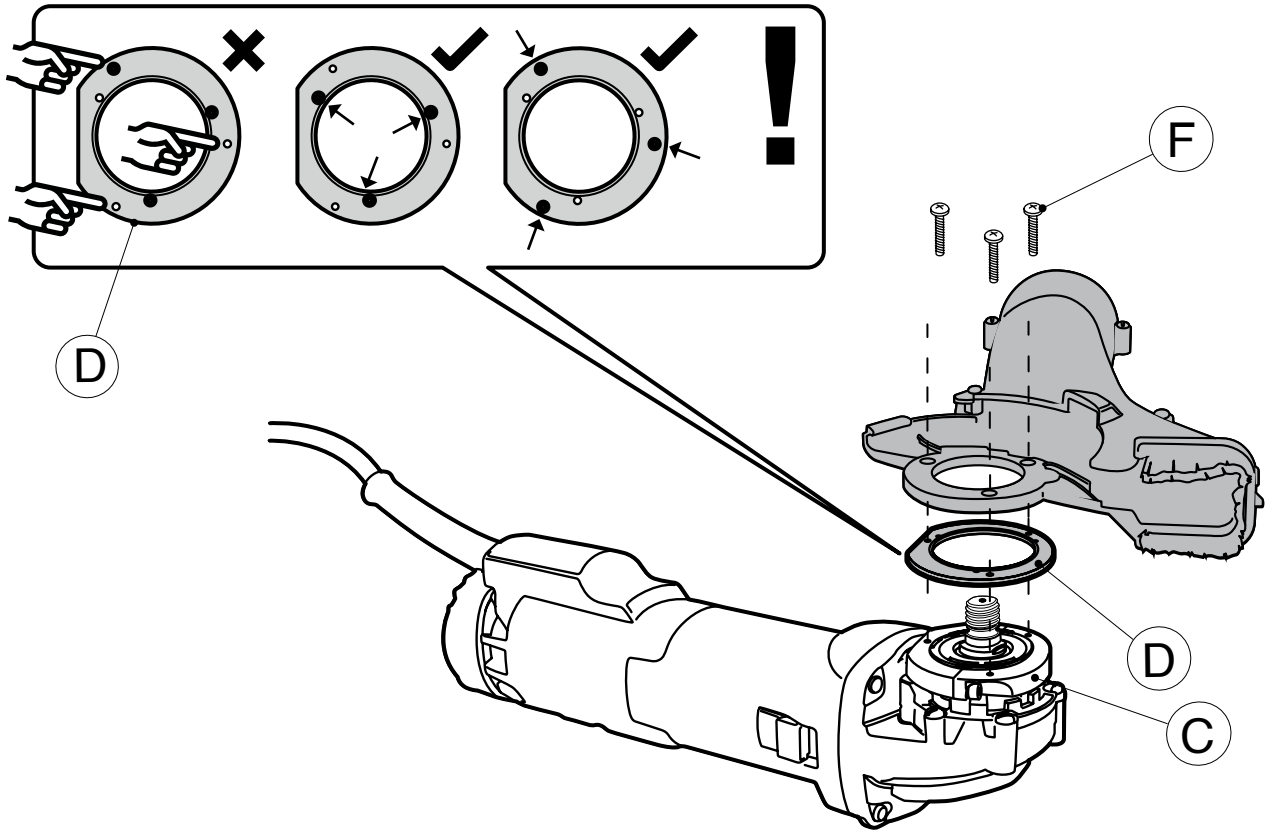


!

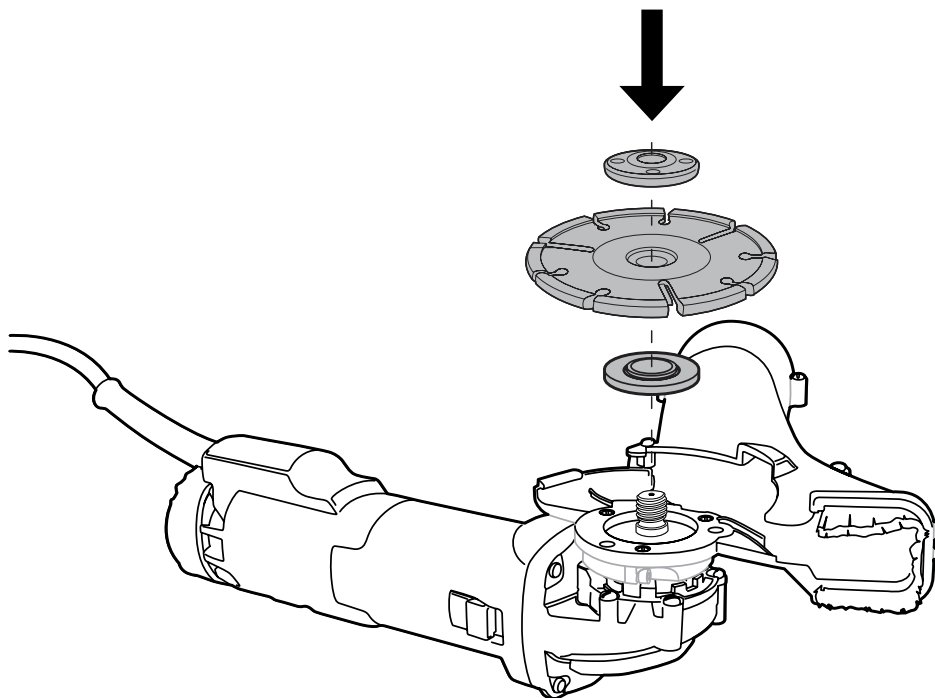


4

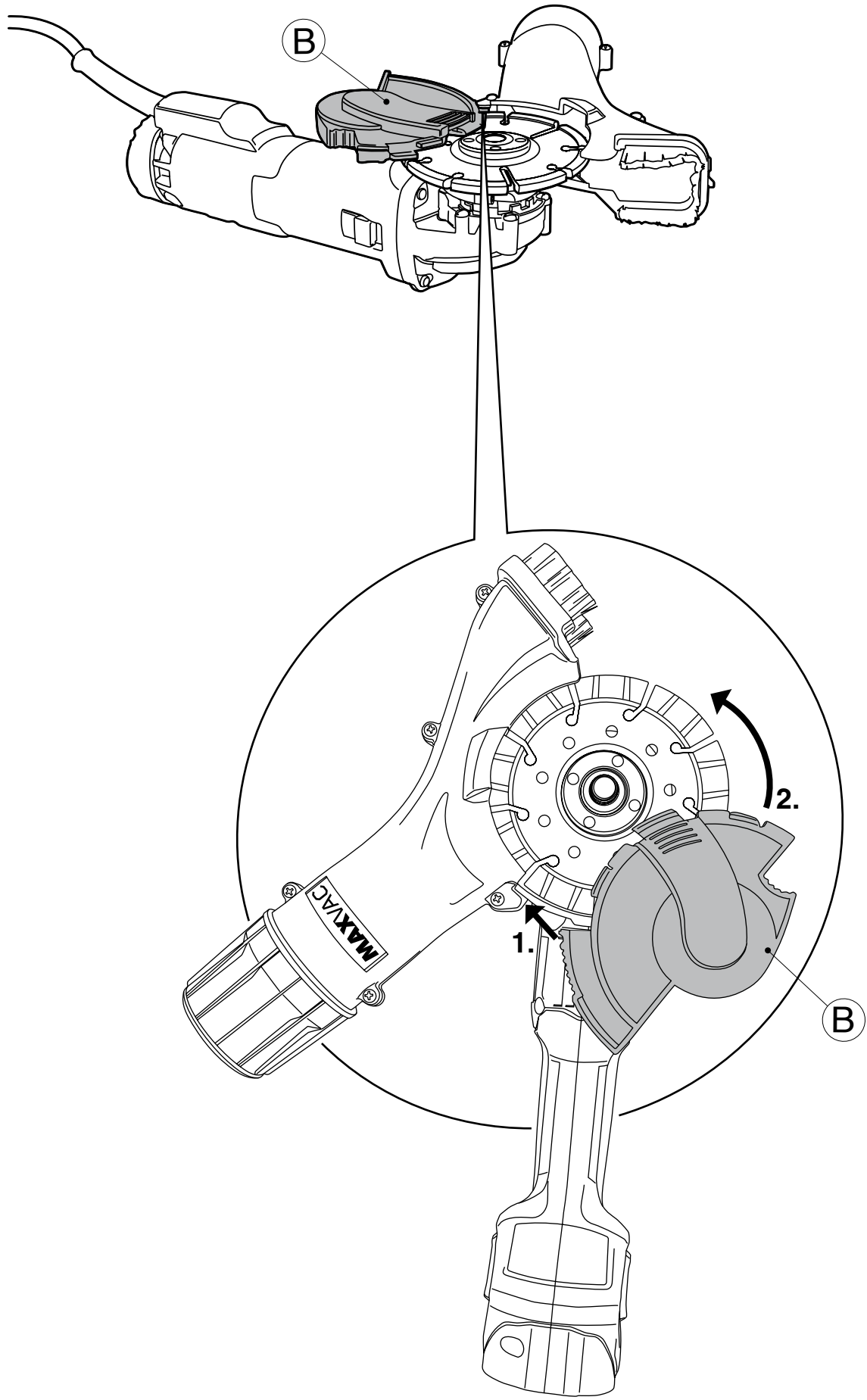
Spacer Ring (refer to table on p3)

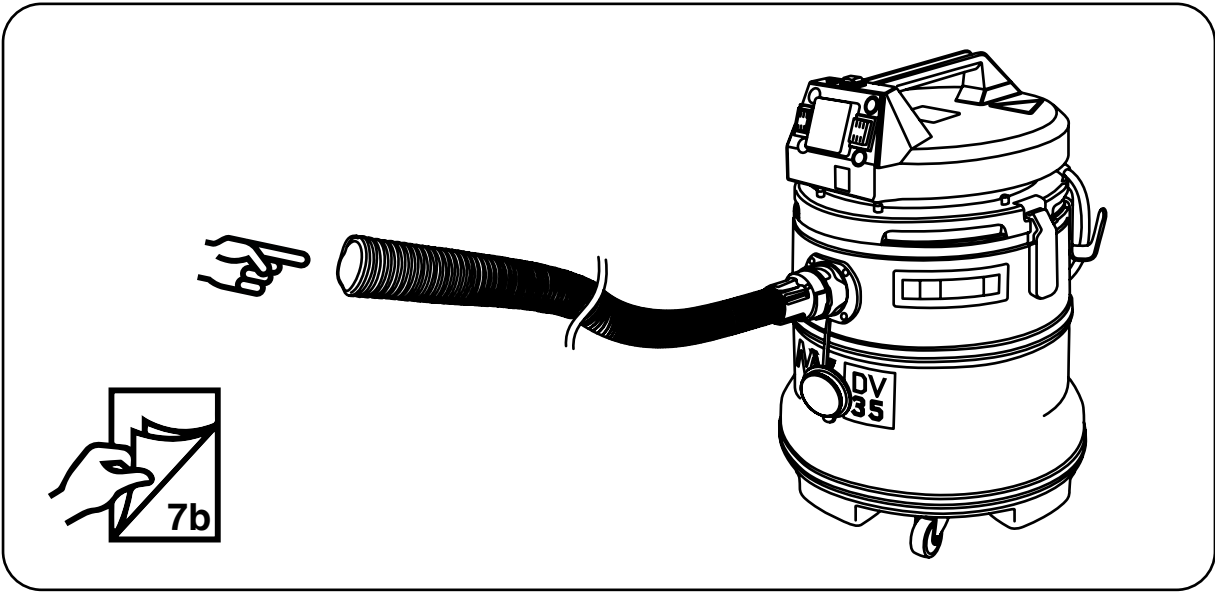
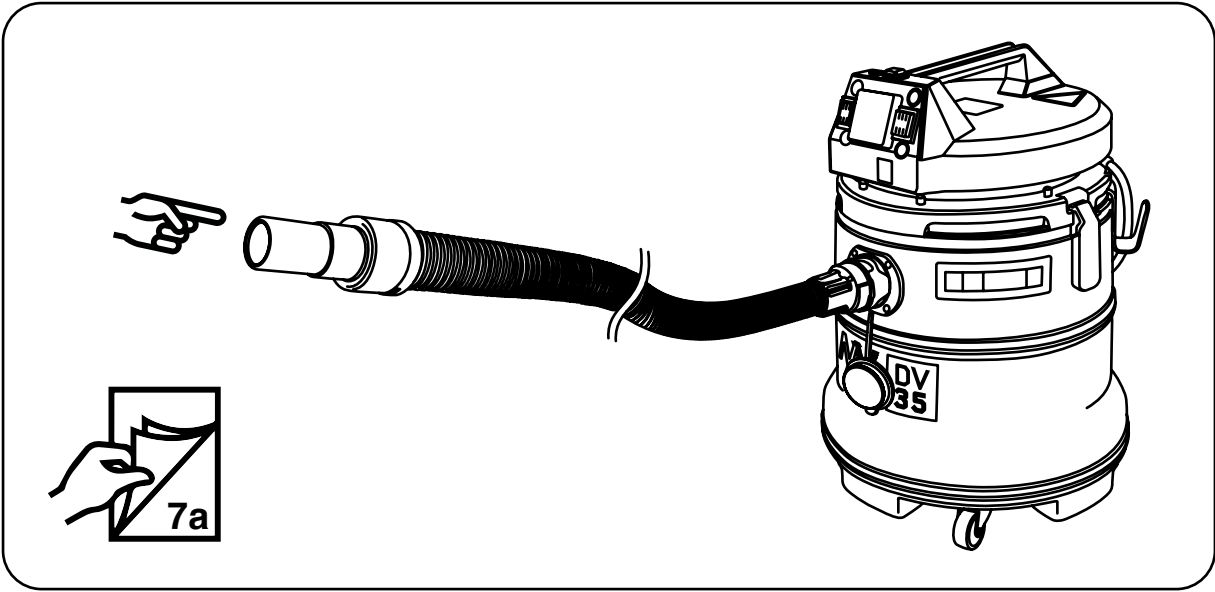


5

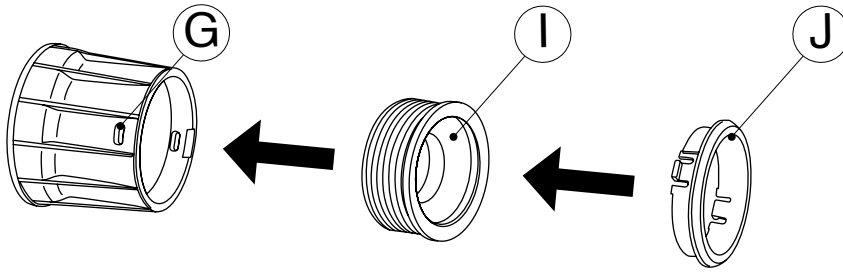


6

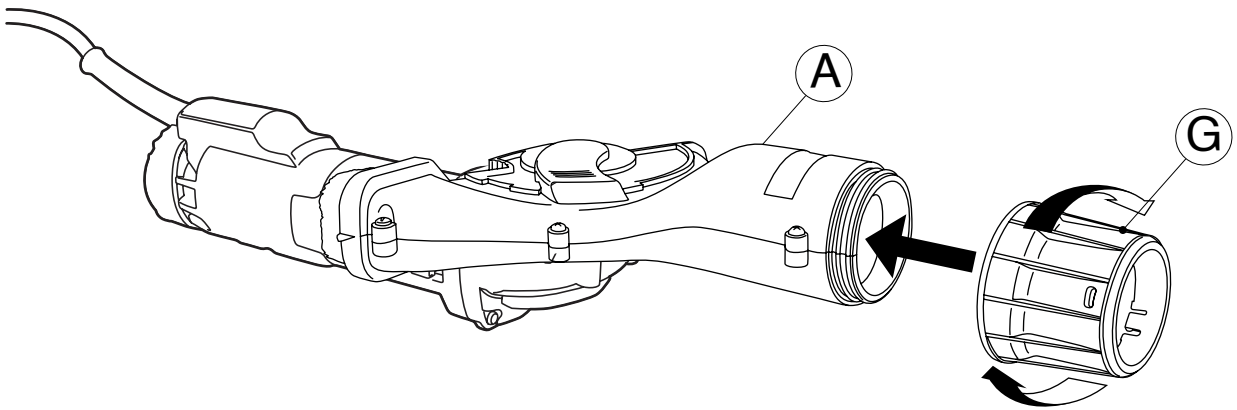




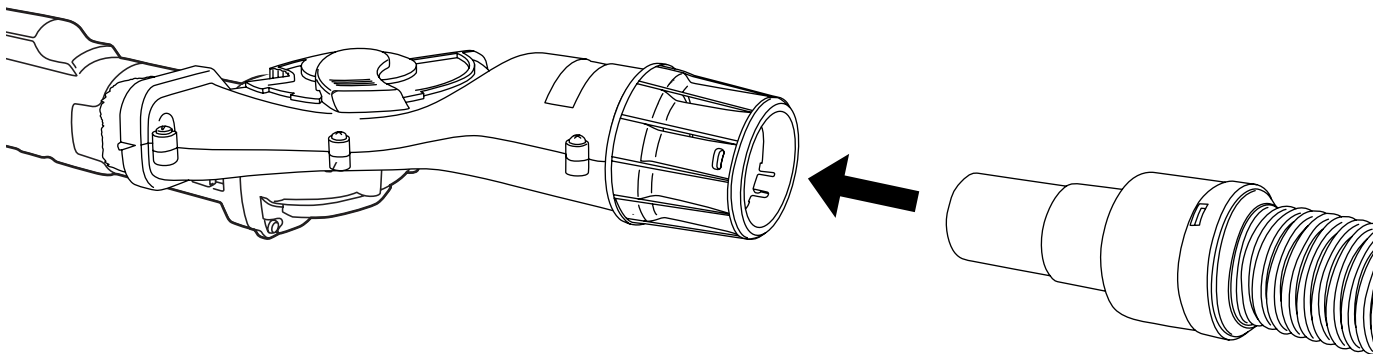
7a



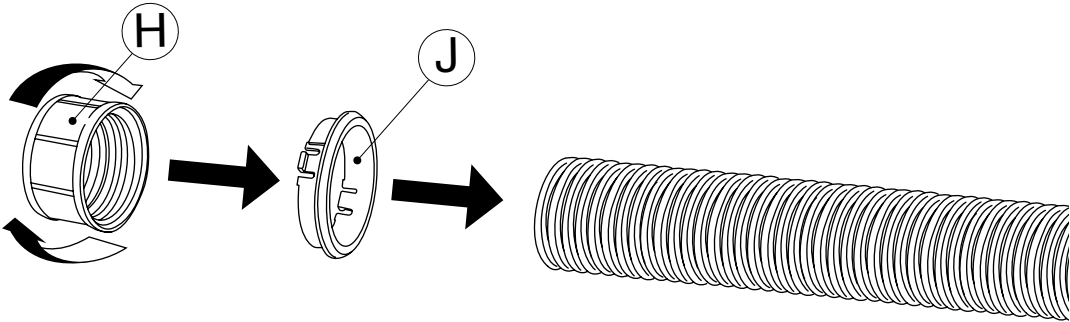
8a



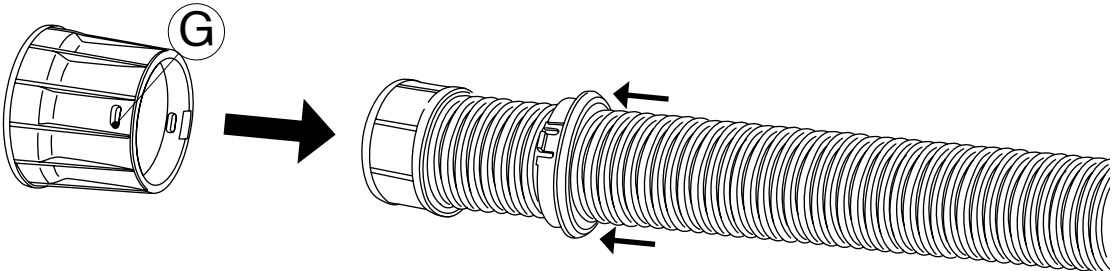
9a



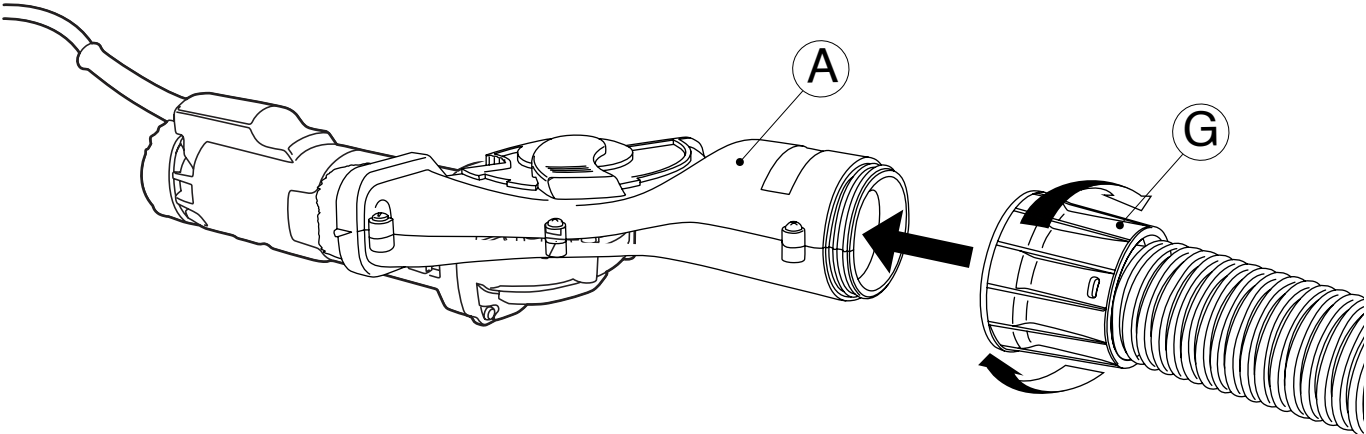
7b



8b



9b



10

