



October Mountain Products®

PRO TOOLS

## Versa-Cradle Wide Limb Bow Vise

Proper-use Instructions

### To Mount the Bow Vise:

The Versa-Cradle Wide Limb Bow Vise can be mounted using either the four wood screws (provided), or using bolts. *If leather or rubber is used under the base to help protect the finish of fine benches or counter tops, please make sure that it is secure before mounting a bow.*

### To Mount the Bow:

1. Insert the bow between the cushioning pads, ensuring the bow is centered on one, or both, cushioning pads and will not cause interference with the c-frame. Tighten c-frame to limbs. *Tech Tip: when placing the bow into the vise, the clamp should be tightened in place beside the limb pocket to reduce limb stress and movement while working on the bow.*
2. To make adjustment to the bow's position, rotate the handle toward the ball tension spring (counterclockwise) while holding the bow and move into position. Rotate handle away from the ball tension spring (clockwise) to secure in place.
3. To remove the bow from the vise, loosen the knob until there is no tension on the limb and pull bow out of position.

### Adjust the Ball Assembly:

If the Versa-Cradle's handle over rotates against its stop without fully tightening the ball, loosen the handle as far as it will go, loosen the set screw (Image 1) directly above the handle half a turn with the 3/32" hex wrench (provided) insert the short end of the hex wrench into one of the seven holes (Image 2) on the bottom side of the tightening nut and rotate it in a counterclockwise direction until snug as viewed from the top side of the Versa-Cradle. Working the handle back and forth a little during this process can help free the nut and rotate it. Once almost all of the slack is taken out of the handle, retighten the set screw.

### Ball Tension Spring



Ball Tension Spring (10) keeps a constant light tension on the Handle (3). The Ball Tension Spring can be removed by rotating the Handle all the way to the tight position, compress the spring together and pull the spring out. Re-installation is done in reverse.

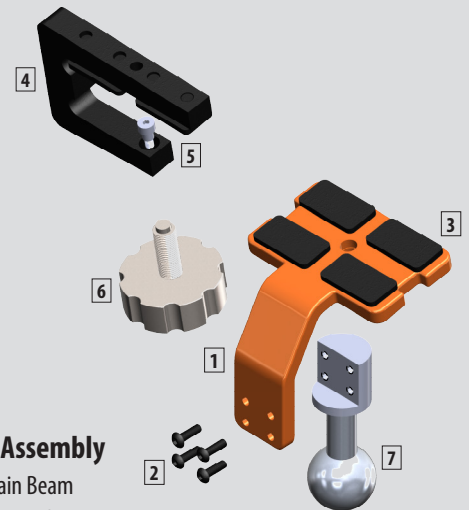
Image 1



Image 2



## Components



### Beam Assembly

- 1 Main Beam
- 2 10 x 32 Screws
- 3 Cushioning Pads
- 4 C-Frame
- 5 C-Frame Knob Screw
- 6 C-Frame Knob
- 7 Ball



### Case Assembly

- 1 Case (CNC machined steel case)
- 2 Ball (CNC machined ball with beam post)
- 3 Handle (steel handle w/ welded threaded post)
- 4 Brass Socket (CNC machined brass ball socket)
- 5 Clamping Nut (adjustable)
- 6 Case Set Screw (1, 10-32 x 3/8" set screw)
- 7 Base (aluminum machined base for case)
- 8 Base Screws (4, 10-32 x 3/4" flat screws)
- 9 Retaining Ring (1, 1-1/2" internal retaining ring)
- 10 Ball Tension Spring

Product Support: 717-492-8020 | [Info@OctoberMountainProducts.com](mailto:Info@OctoberMountainProducts.com)

[OctoberMountainProducts.com](http://OctoberMountainProducts.com)



Follow us