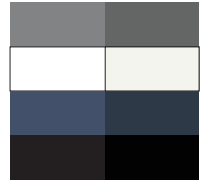


Notebook Thermo Deboss Finish

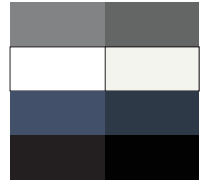


100% of Actual Size
Thermo Debossing
Thermo Debossing XL



Print area 110 x 90mm is moveable within the XL deboss area and can rotate to suit.

Notebook Thermo Deboss Finish



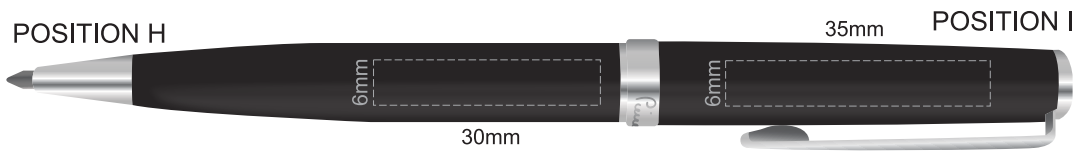
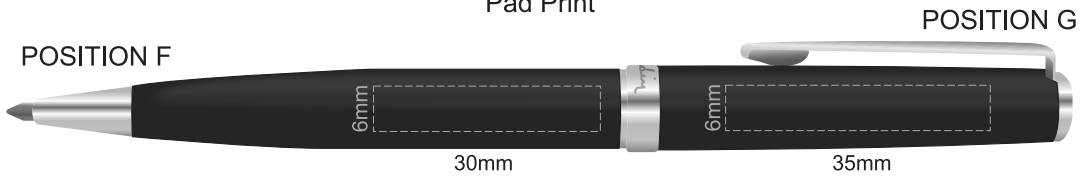
100% of Actual Size
Thermo Debossing (back)
Thermo Debossing XL (back)



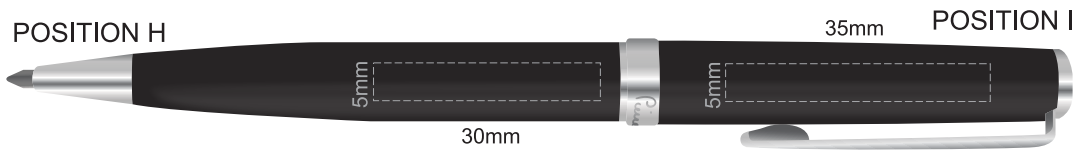
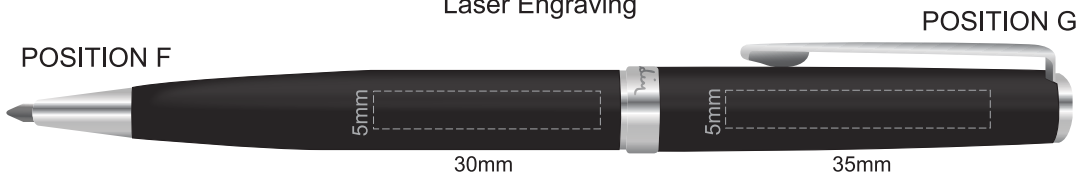
Print area 110 x 90mm is moveable within the XL deboss area and can rotate to suit.



100% of Actual Size
Pad Print

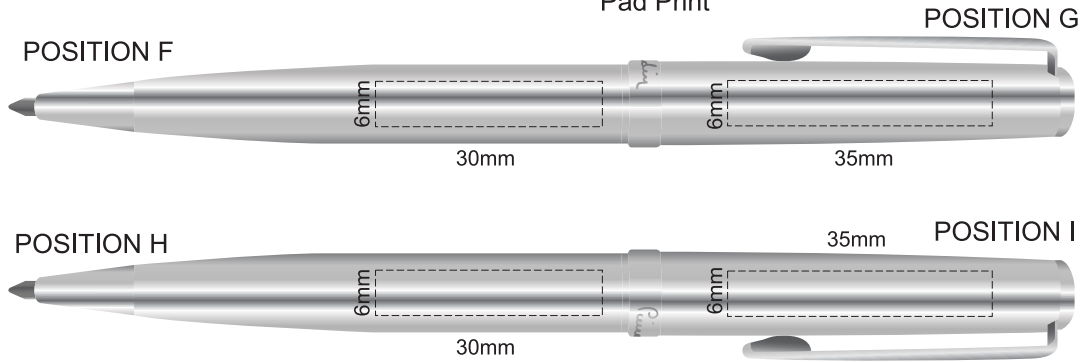


100% of Actual Size
Laser Engraving

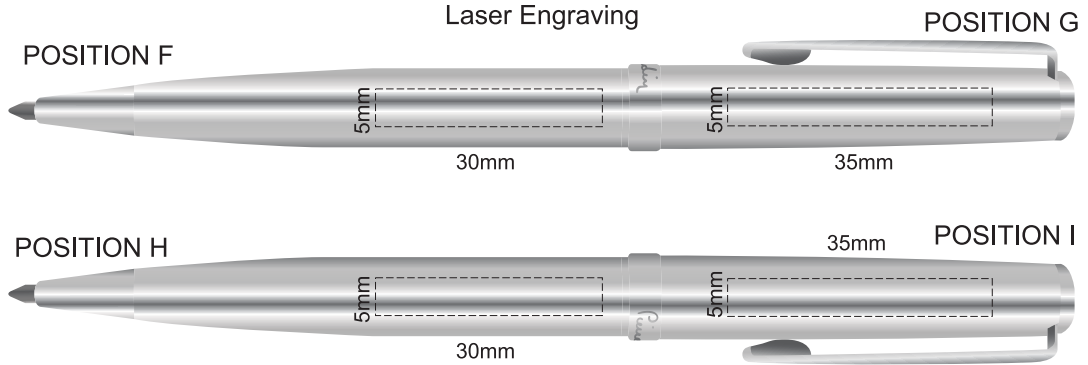


Engraves to a Silver mirror finish

100% of Actual Size
Pad Print

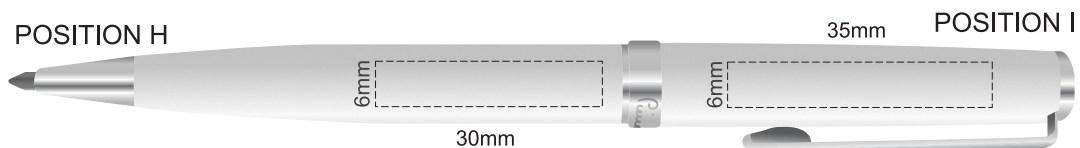
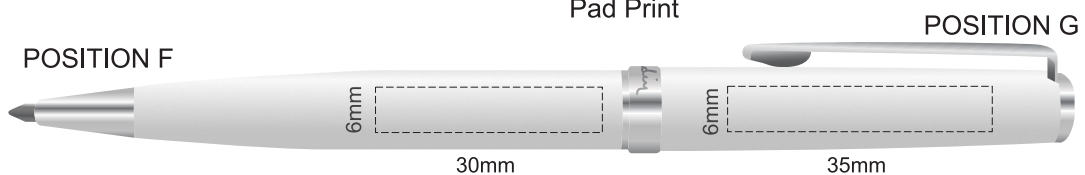


100% of Actual Size
Laser Engraving

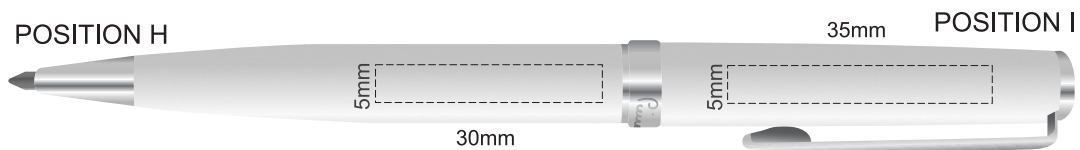
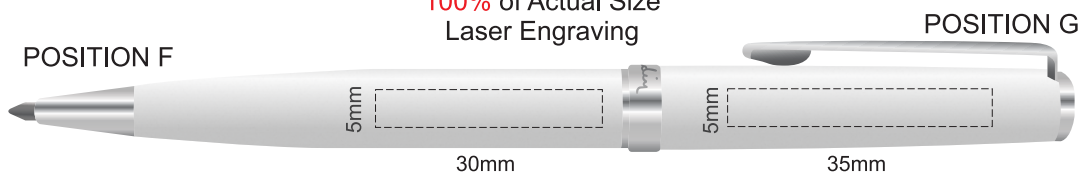


Chrome engraves to a Silver Natural Etch

100% of Actual Size
Pad Print



100% of Actual Size
Laser Engraving



■ Matt Silver engraves to a Silver Natural Etch