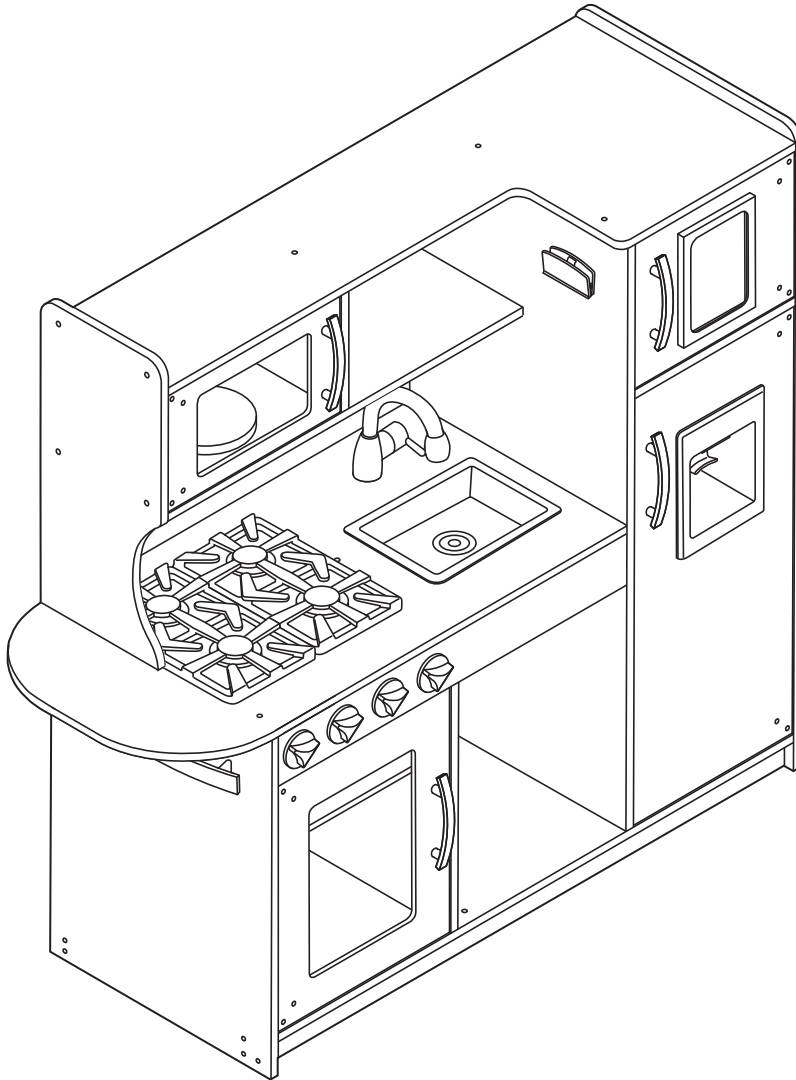




# Chef's Kitchen

## ASSEMBLY INSTRUCTIONS



Have a question or need help? Give us a call! 1-800-284-3948

Melissa & Doug®

We ♥ feedback! Call us: 1-800-284-3948

MelissaAndDoug.com

Item #4002  
#4010  
#4338

Ages 3+

Melissa & Doug products meet or exceed all U.S. toy testing standards and pass our high quality requirements.

© Melissa & Doug, LLC, P.O. Box 590, Westport, CT 06881  
MADE IN CHINA

**⚠ WARNING:**  
ADULT ASSEMBLY REQUIRED.  
Contains small parts before assembly.



**DO NOT** use power tools to assemble. Using power tools will cause product to crack!

**DO NOT OVER-TIGHTEN!** Over-tightening will cause product to crack!

# THANK YOU!

Thank you for choosing the Melissa & Doug Chef's Kitchen! It's a terrific way to help nourish a child's creativity and imagination, and to inspire budding chefs to hone their craft for years to come.

---

## NOW IT'S TIME TO PUT IT TOGETHER!

Don't worry, assembling your new kitchen is simple, and we're here to help. It may go a little faster with a partner to lend a hand, but we've made it so one person can assemble the kitchen. Here are a few tips before you begin:

- Read through all the instructions first.
- Clear a flat, covered space (carpeted is best) to lay out all the materials so everything is close at hand.
- You will need a Phillips head screwdriver, slotted screwdriver, and wrench to assemble the kitchen.
- The instructions include lots of helpful pictures—we show you, step-by-step, exactly how to align pieces and parts for speedy and accurate assembly. Note that hardware needed for each step is shown in the upper right corner of the page, each piece being added in a given step is highlighted in gray, and the “assembled view” (what it looks like in the finished kitchen when the step is completed) is included in the lower right corner of every page.
- In the instructions, the name of a part is followed by a letter or number in parentheses. This letter or number corresponds to the sticker on the part, as well as the picture of the part shown on pages 2-4.
- Helpful hints are highlighted with a large exclamation point.



**IMPORTANT:** Helpful hints are found here.

- If you have any questions, we're here for you! Give our customer care team a call at 1-800-284-3948!
- 

## WARNINGS!

Retain these instructions for future reference.

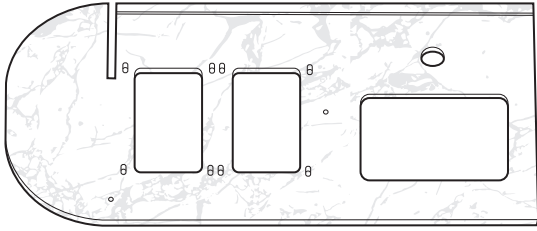
Warning: Prevent Tip Overs!

- Do not allow children to pull, climb, sit, or stand on any part of the kitchen.
  - Never place computers, televisions, or other heavy objects on top of the kitchen.
  - The kitchen must be placed on a hard, flat, and level surface.
  - If placing the kitchen next to a wall, we recommend applying the stabilizing strap.
  - If placing the kitchen away from a wall, we recommend applying the stabilizing feet.
  - For more information on how to prevent furniture tip overs in your home visit [AnchorIt.gov](http://AnchorIt.gov).
  - The kitchen must be assembled as instructed.
- 

## MAINTENANCE:

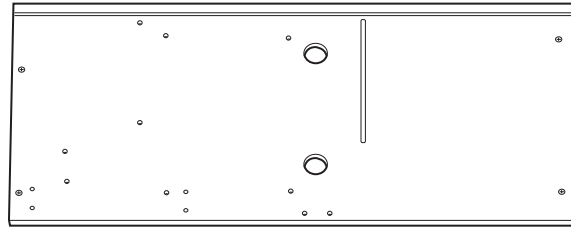
Ensure the kitchen continues to function properly and safely by regularly checking the hardware and tightening when necessary.

# WOOD PANELS - Be Smart—Sort Your Parts

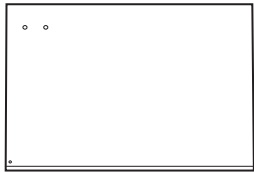


**A** counter top

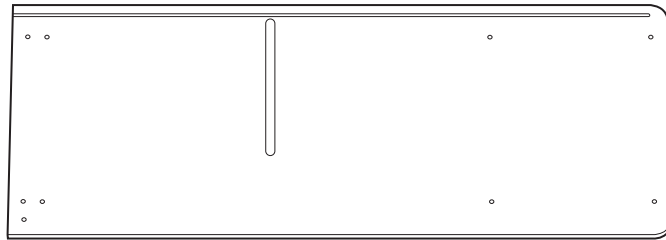
4002 = white  
4010 & 4338 = marbled



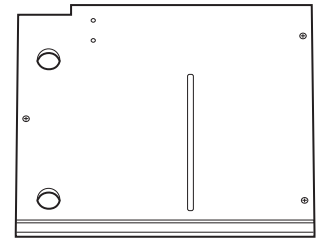
**B** inner wall



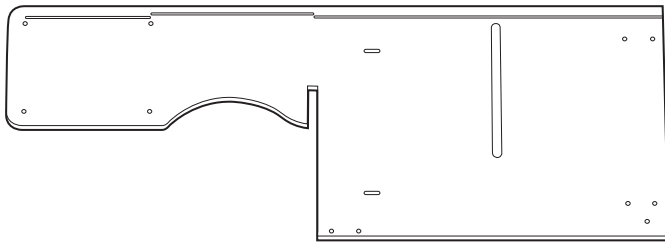
**C** divider panel



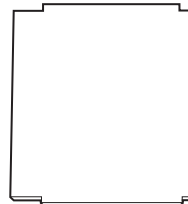
**D** right side panel



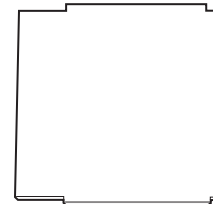
**E** short wall



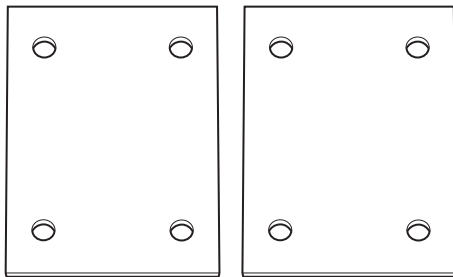
**F** left side panel



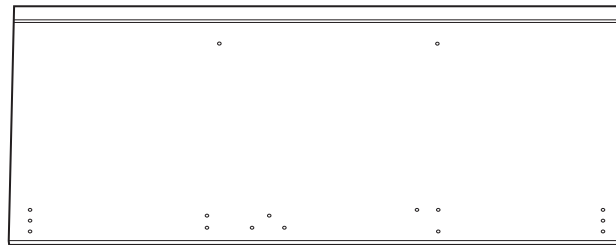
**G** refrigerator shelf



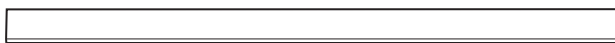
**G2** oven shelf



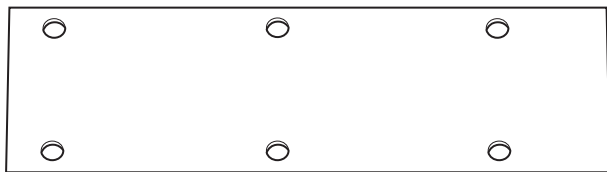
**H** bottom back panels (2)



**I** bottom panel



**J** kick plate panel

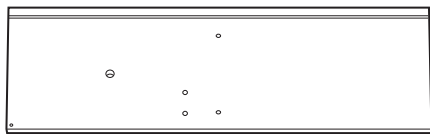


**K** side back panel

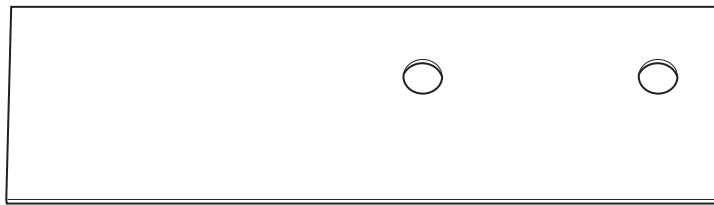


**L** backsplash

# WOOD PANELS (continued)



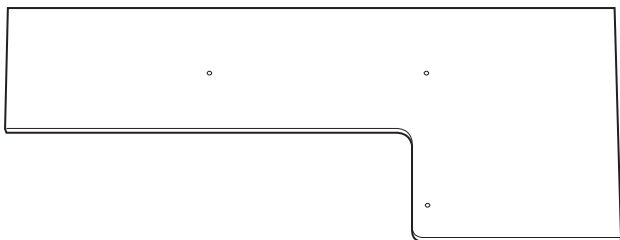
**M** shelf



**N** top back panel



**O** upper divider



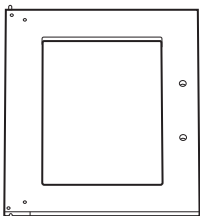
**P** top panel



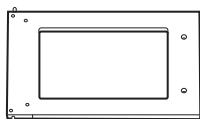
**Q** oven control panel



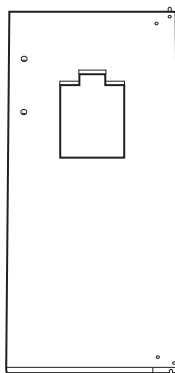
**R** microwave plate



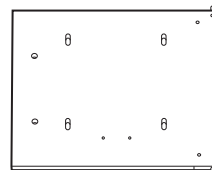
**S** oven door



**T** microwave door

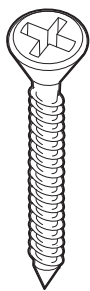


**U** refrigerator door

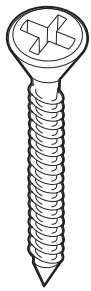


**V** freezer door

# METAL COMPONENTS



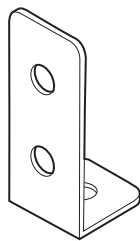
**1** screws (35)



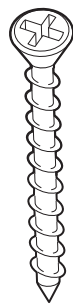
**2** white screw (2)



**3** metal bracket screw (14)



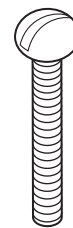
**4** metal bracket (1)



**5** 38 mm wall screw (1)



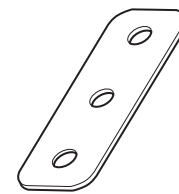
**6** 15 mm kitchen screw (1)



**7A** bolts (4)



**7B** nuts (4)



**8** hinge bracket (6)

# PLASTIC COMPONENTS



9 hooks (3)



10 oven knobs (4)



11 oven knob nuts (4)



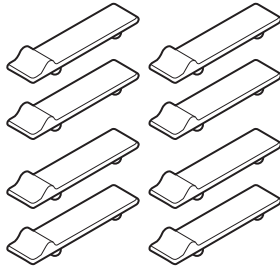
12 wooden dowel pin



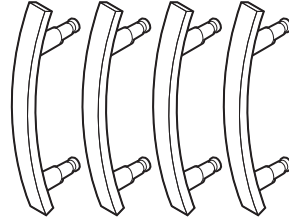
13 microwave pin



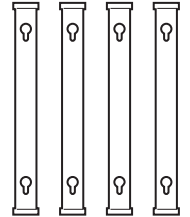
14 microwave knob



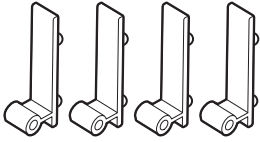
15 door latch catches (8)



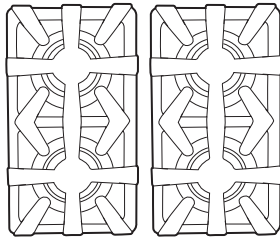
16 door handles (4)



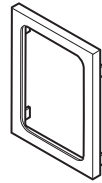
17 door handle locks (4)



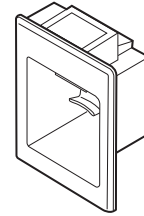
18 door latch springs (4)



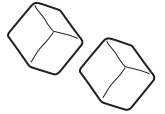
19 burners (2)



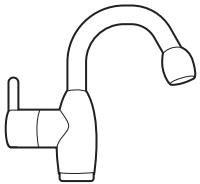
20 picture frame



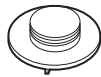
21 ice maker



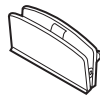
22 ice cubes (2)



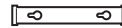
23 faucet



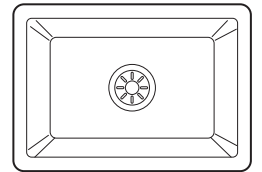
24 faucet screw



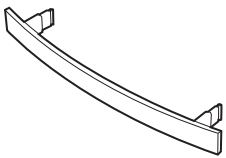
25 kitchen clip



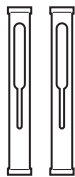
26 kitchen clip lock



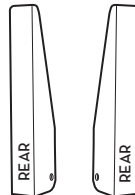
27 sink



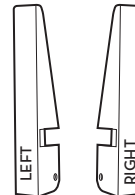
28 towel bar



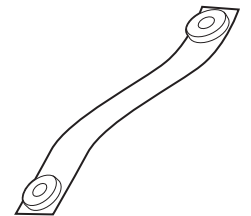
29 towel bar locks (2)



30 back stabilizer feet (2)



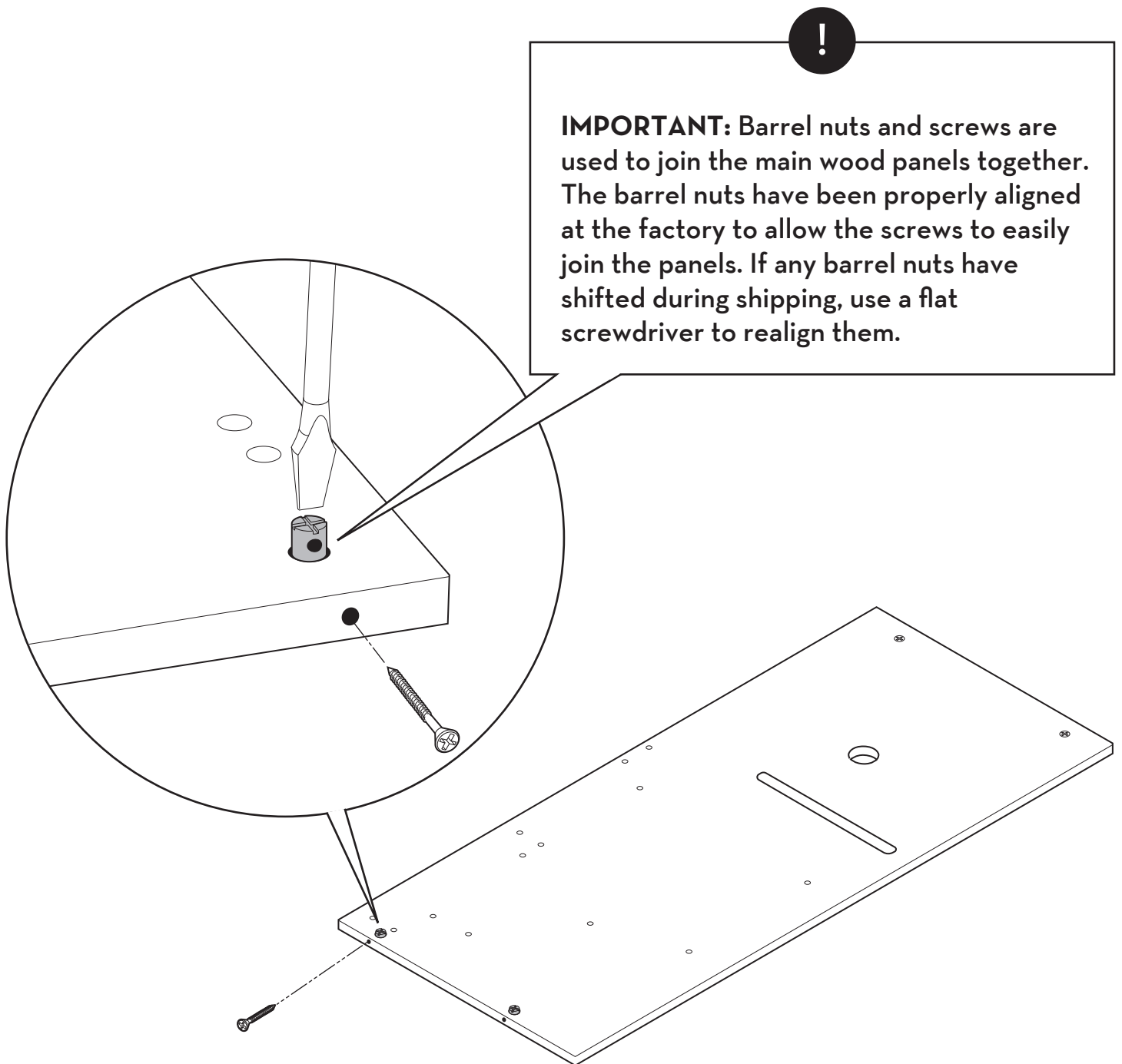
31 front stabilizer feet (2)



32 stabilizing strap

# Helpful Hints and Tips

- Note: Some packages of hardware may have extra pieces
- You will need a Phillips head screwdriver, slotted screwdriver, and wrench to assemble the kitchen.



# IMPORTANT

---

Be smart—sort your parts!  
Be sure you have all required parts BEFORE beginning assembly!

---



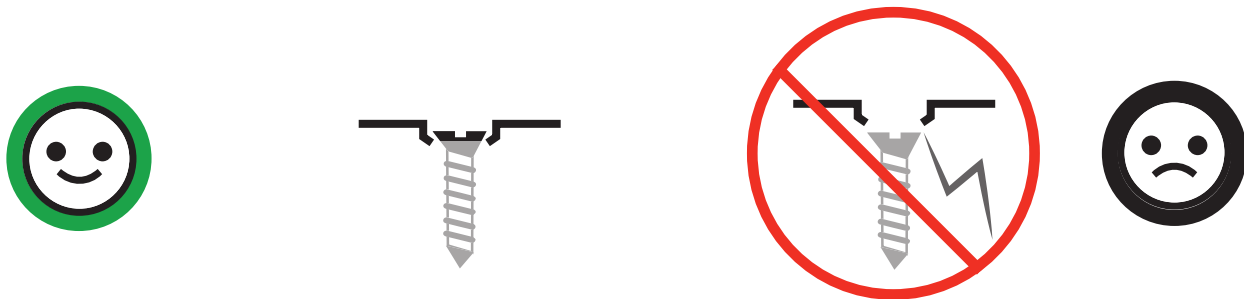
**DO NOT** use power tools to assemble.  
Using power tools will cause product to crack!

---



When assembling,  
**DO NOT FULLY TIGHTEN SCREWS UNTIL ALL PANELS ARE CONNECTED.**

---

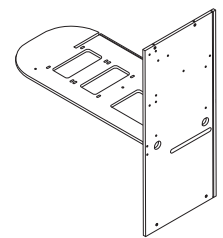
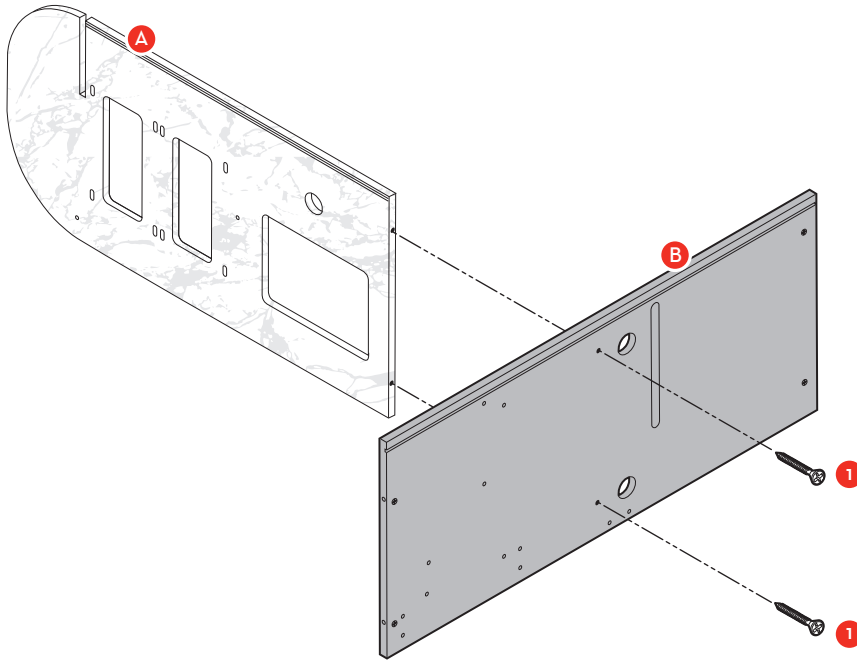
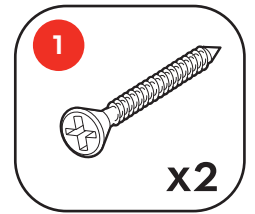


To complete assembly, use hand-held screwdriver to fully tighten all screws until they're snug.

**DO NOT OVER-TIGHTEN!**  
Over-tightening will cause product to crack!

# STEP 1 - Every Journey Begins with the First Step

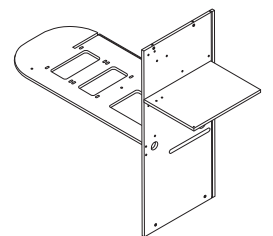
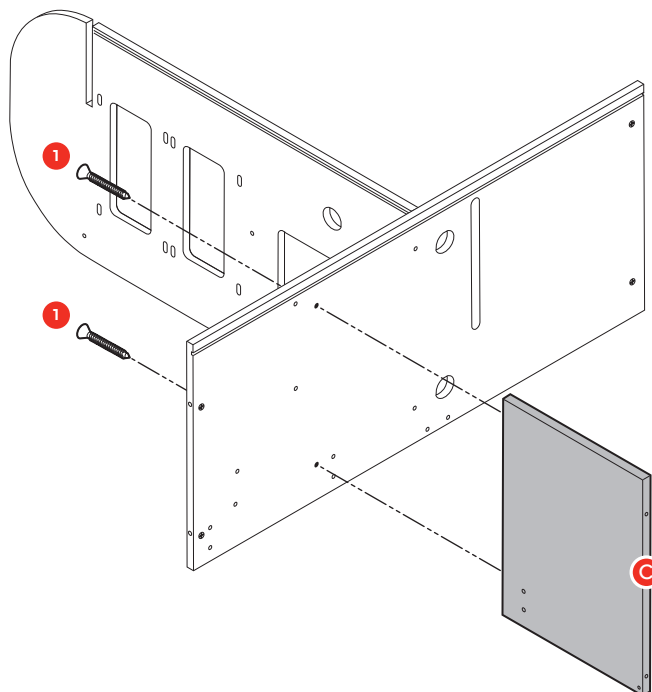
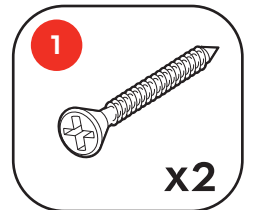
Using 2 screws (part 1), attach the inner wall panel (part B) to the counter top (part A).



Assembled View

# STEP 2 - Divide and Conquer

Using 2 screws (part 1), attach the divider panel (part C) to the kitchen unit.

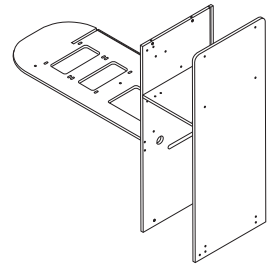
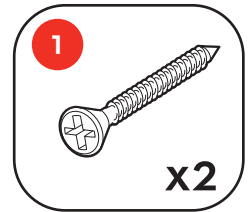
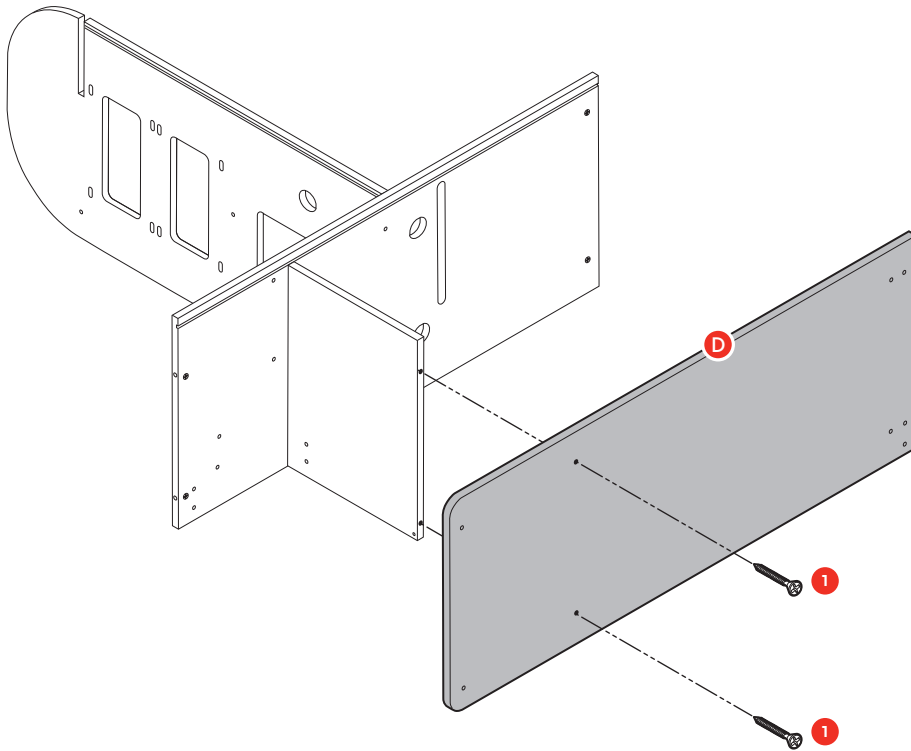


Assembled View



## STEP 3 - That's Right

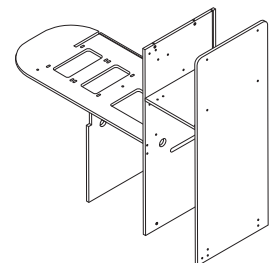
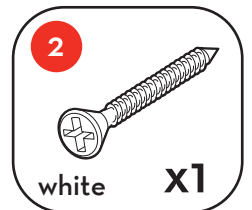
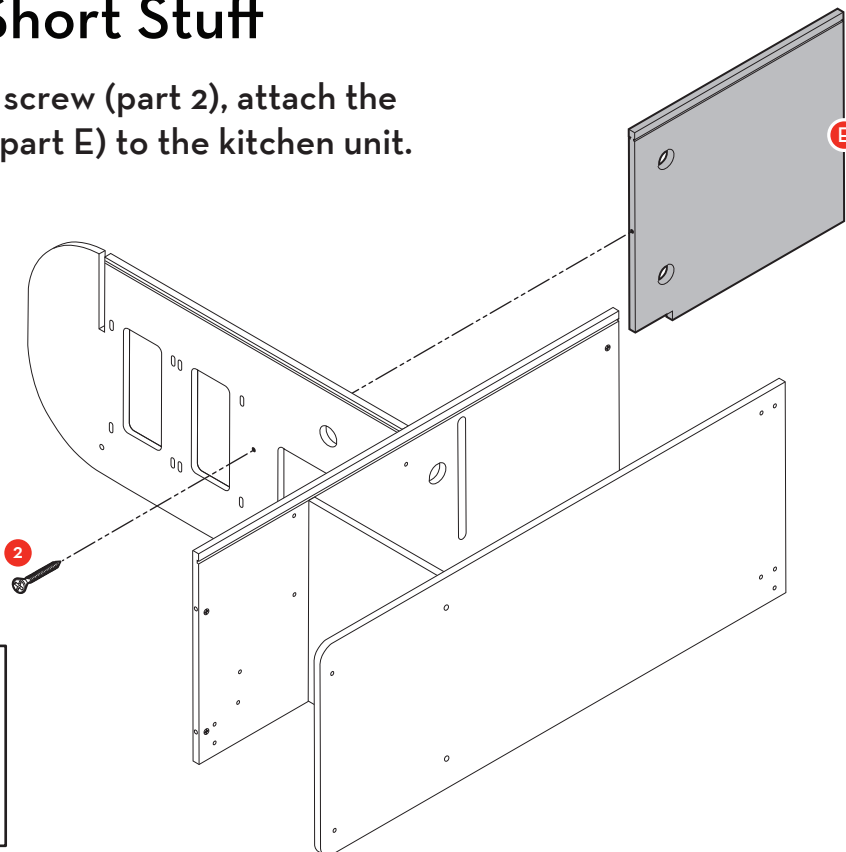
Using 2 screws (part 1), attach the right side panel (part D) to the kitchen unit.



Assembled View

## STEP 4 - Short Stuff

Using the 1 white screw (part 2), attach the short wall panel (part E) to the kitchen unit.

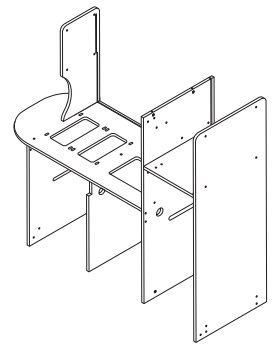
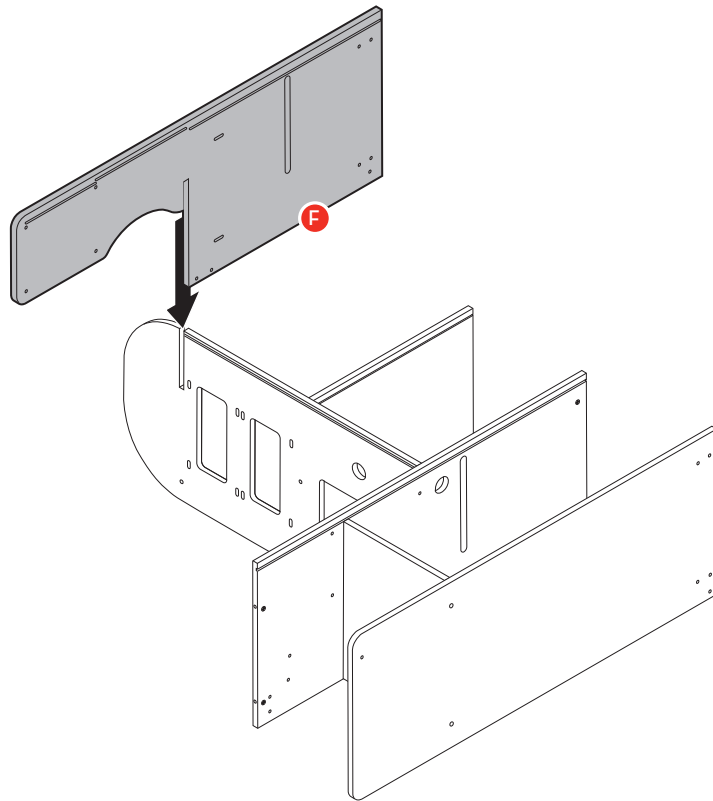


Assembled View

**!**  
**IMPORTANT:**  
Be sure to use  
the white screw  
for this step.

## STEP 5 - What's Left

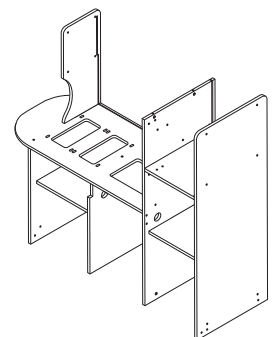
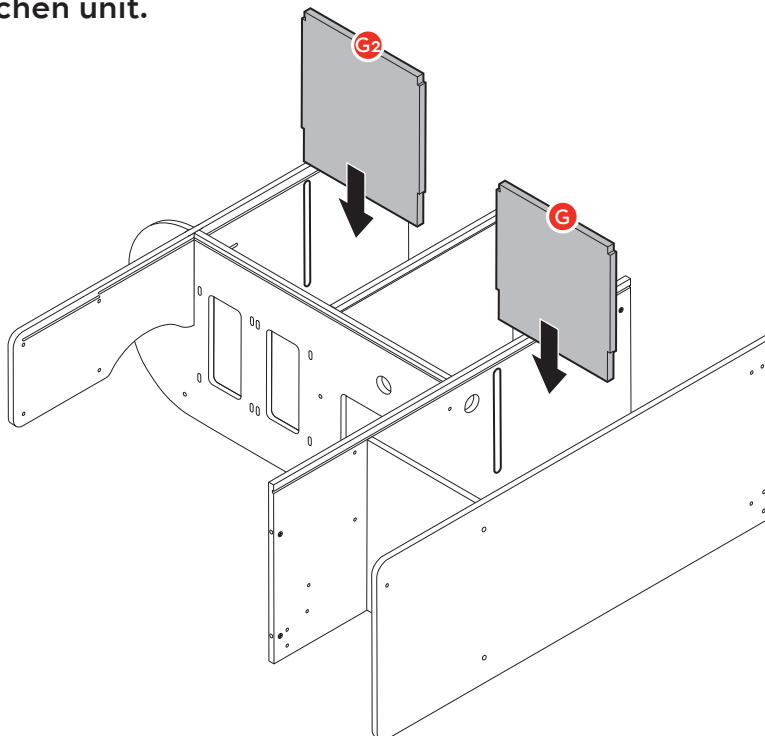
Slide the left side panel (part F) into slot in the kitchen unit.



Assembled View

## STEP 6 - Groovy

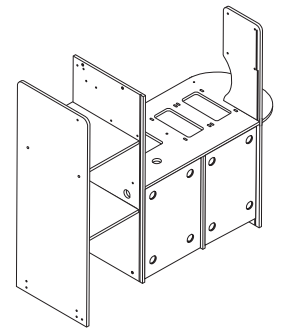
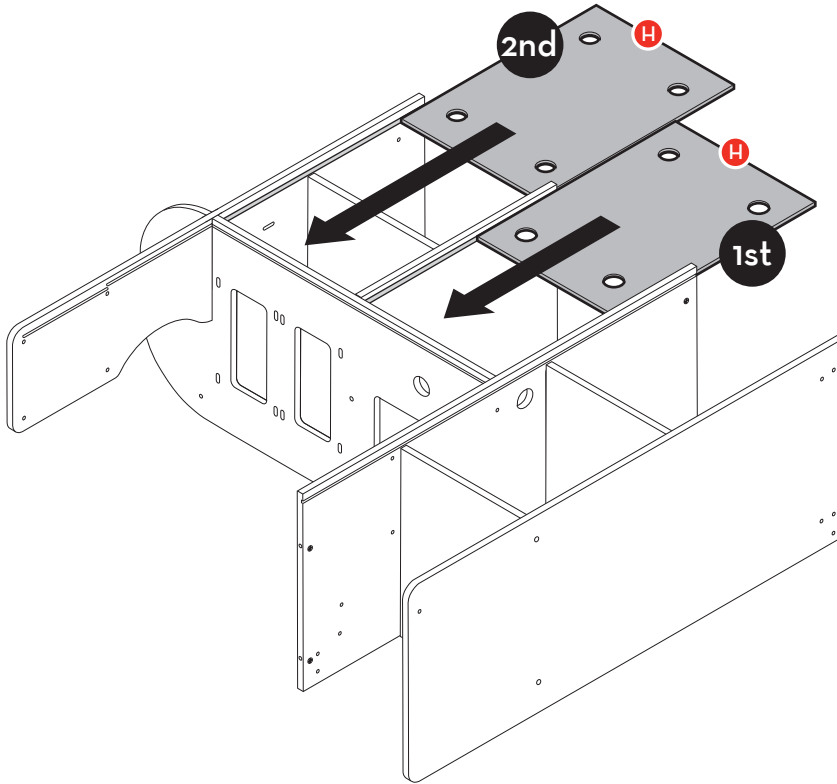
Slide the shelves (parts G & G2) into shelf grooves in the kitchen unit.



Assembled View

# STEP 7 - Get Back

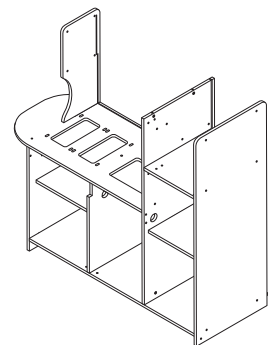
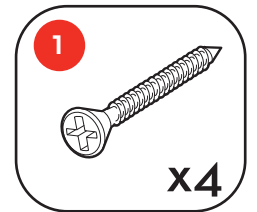
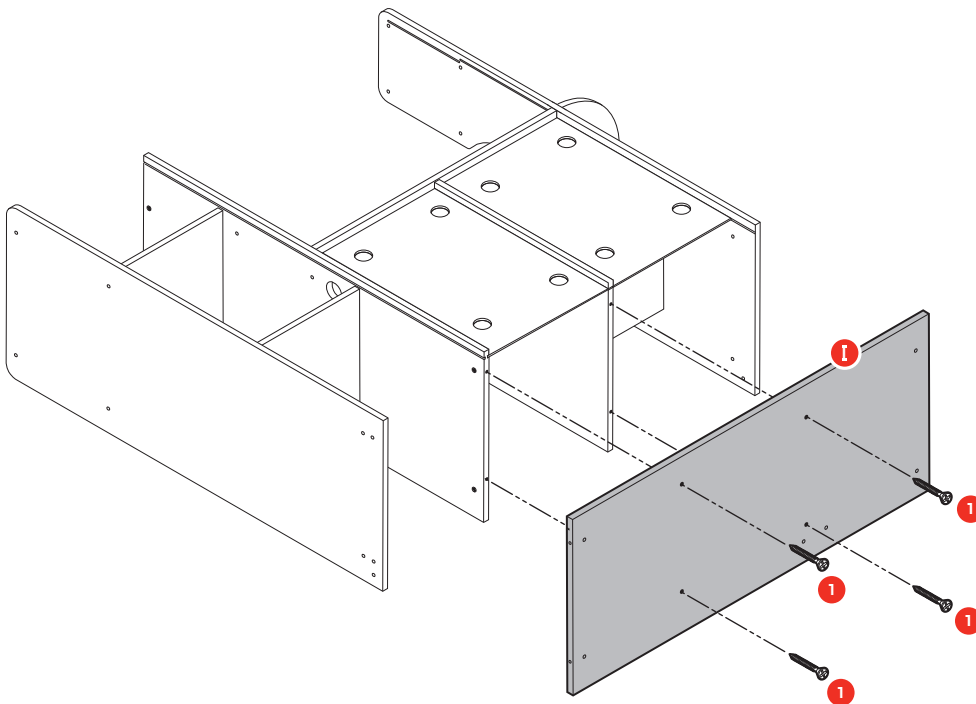
Slide the bottom back panels (part H) into the grooves in the back of the kitchen unit.



Assembled View

# STEP 8 - Get to the Bottom of It

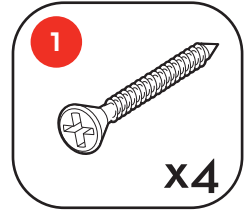
Using 4 screws (part 1), attach the bottom panel (part I) to the bottom of the kitchen unit.



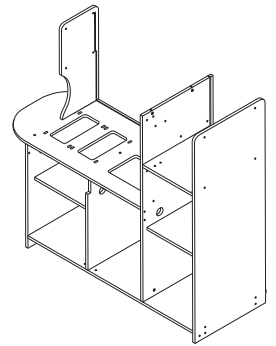
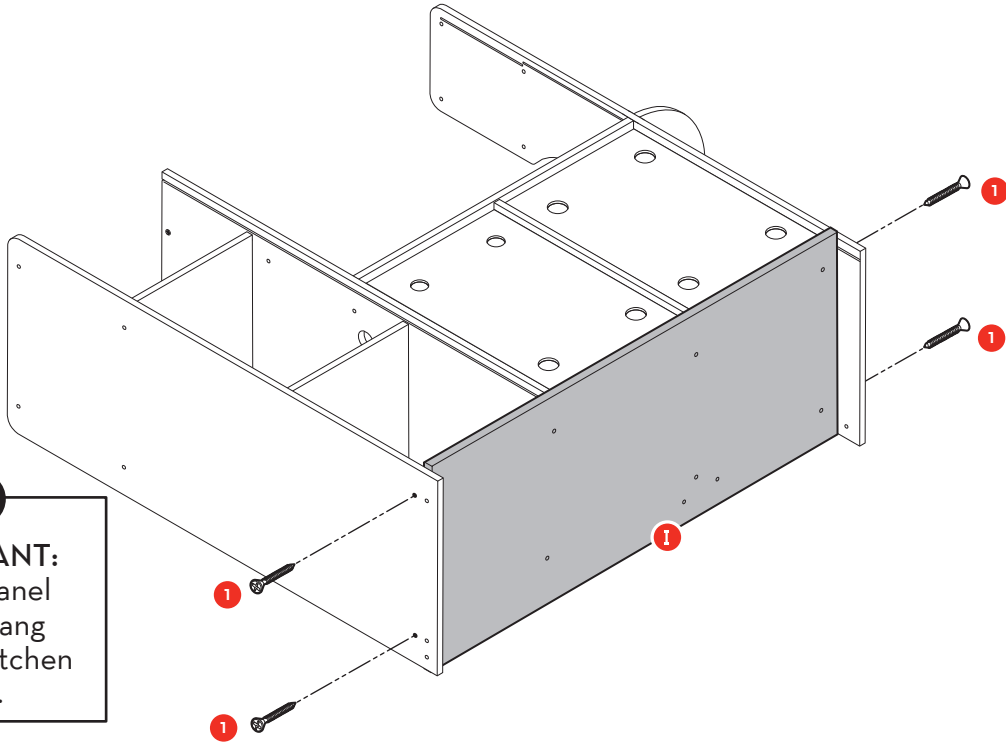
Assembled View

# STEP 9 - Side by Side

Using 4 screws (part 1), attach the bottom panel (part I) to the sides of the kitchen unit.



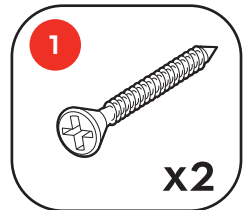
**!**  
**IMPORTANT:**  
Bottom panel  
will overhang  
back of kitchen  
unit sides.



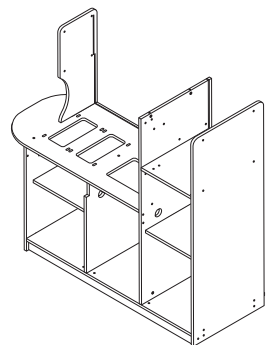
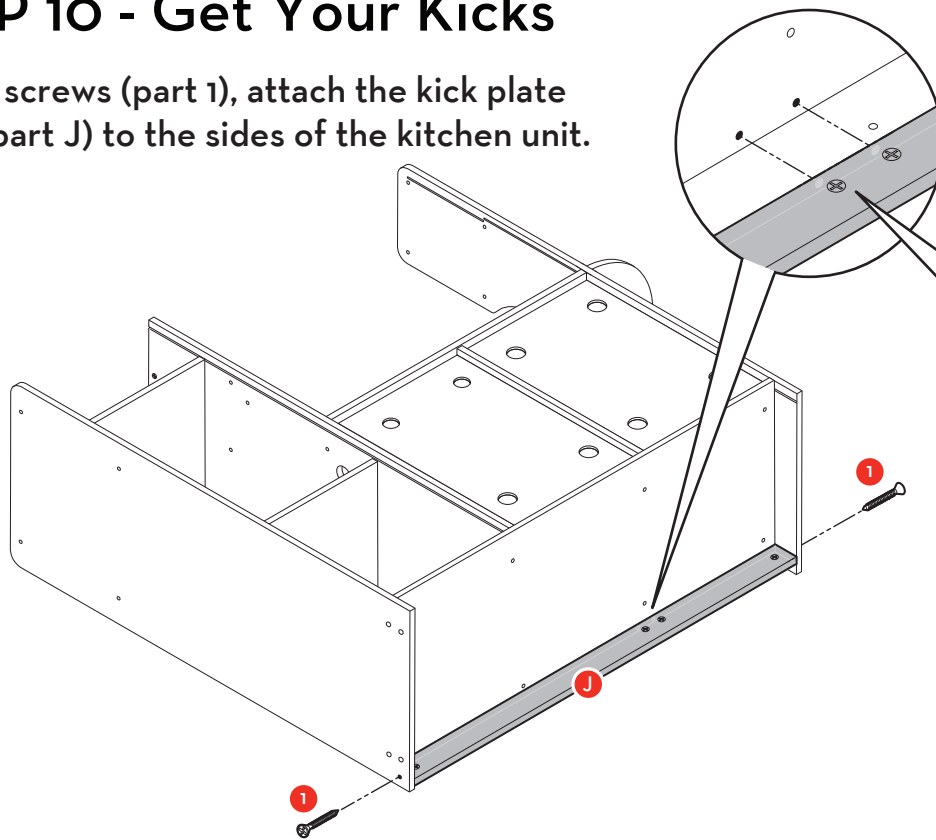
Assembled View

# STEP 10 - Get Your Kicks

Using 2 screws (part 1), attach the kick plate panel (part J) to the sides of the kitchen unit.



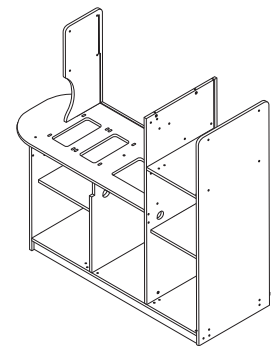
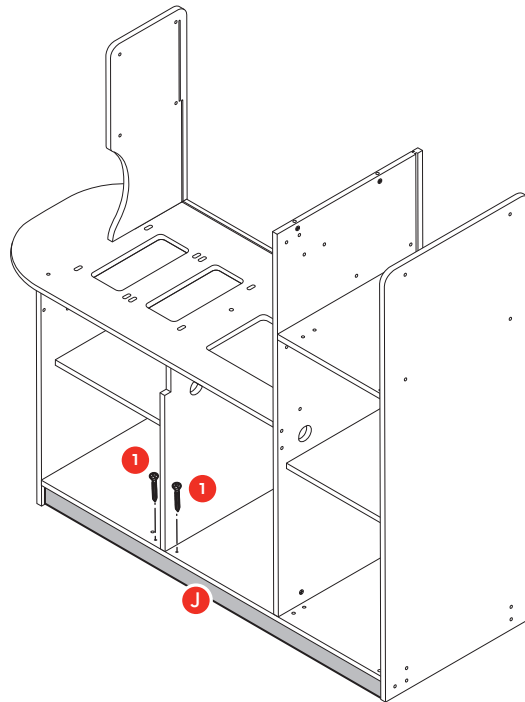
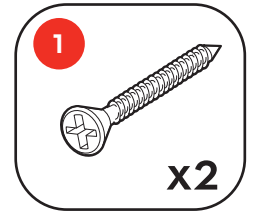
**!**  
**IMPORTANT:** Make  
sure screw holes on  
kick plate are facing  
up toward the  
bottom panel.



Assembled View

# STEP 11 - All About the Base

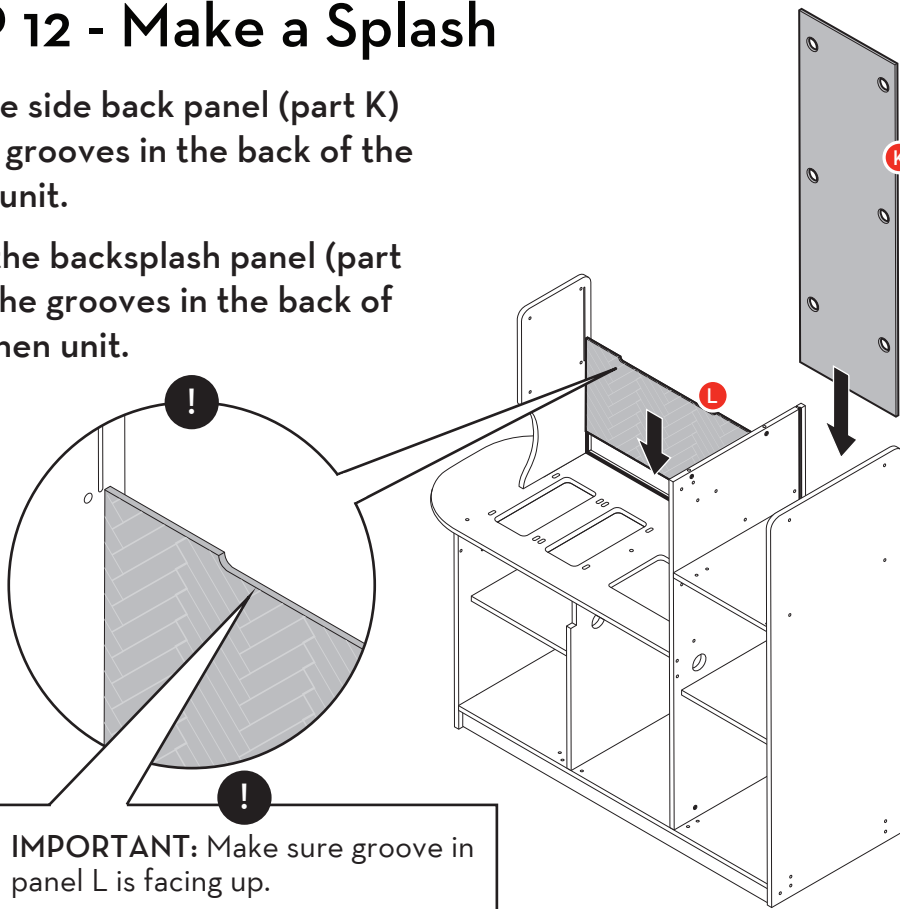
Carefully stand kitchen unit up. Using 2 screws (part 1), attach the kick plate panel (part J) to the base of the kitchen unit.



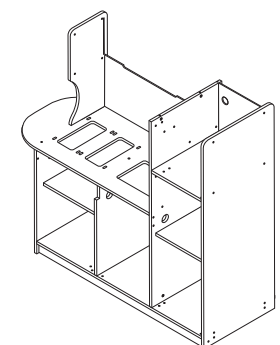
Assembled View

# STEP 12 - Make a Splash

- Slide the side back panel (part K) into the grooves in the back of the kitchen unit.
- Lower the backsplash panel (part L) into the grooves in the back of the kitchen unit.



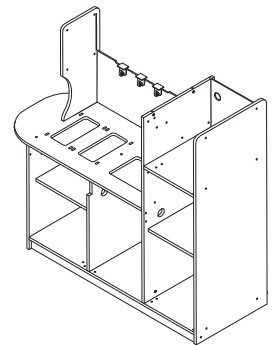
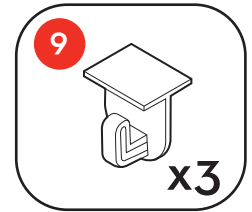
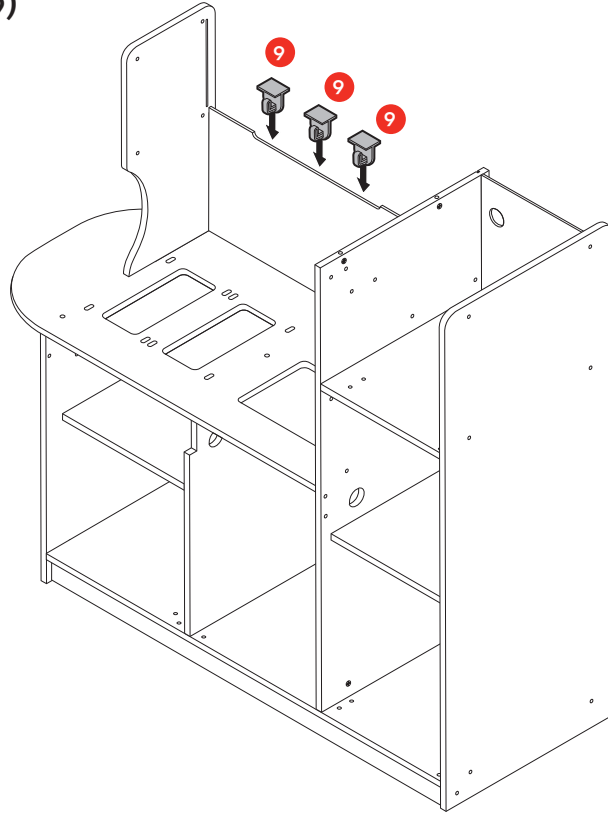
**IMPORTANT:**  
Make sure logo is on the back bottom of unit.



Assembled View

# STEP 13 - Look: Hooks!

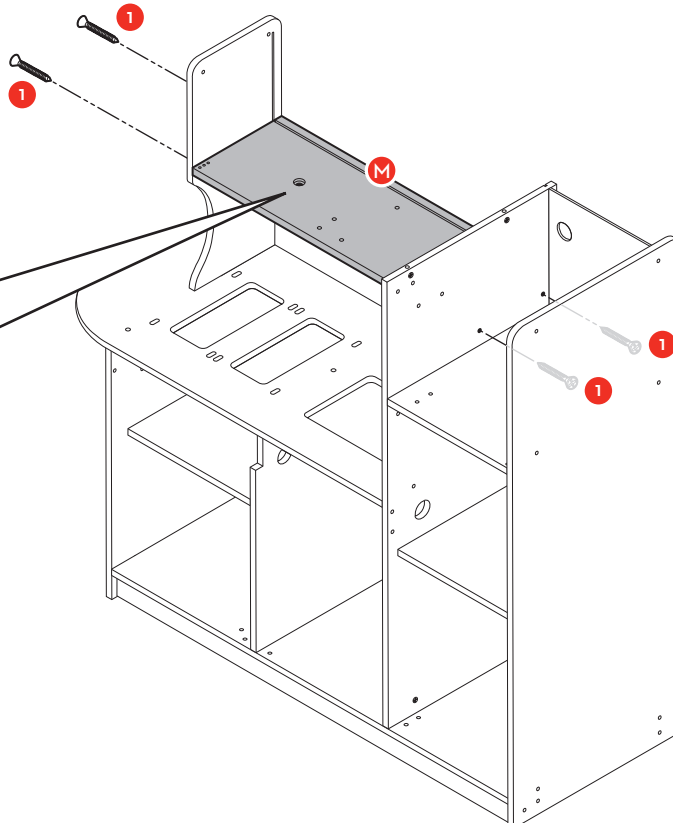
Hang the 3 hooks (part 9) onto the backsplash.



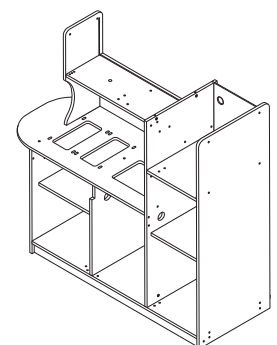
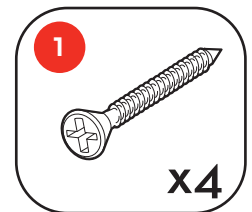
Assembled View

# STEP 14 - Do It Your-SELF

Using 4 screws (part 1), attach the shelf (part M) to the kitchen unit.



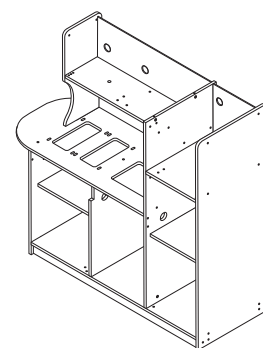
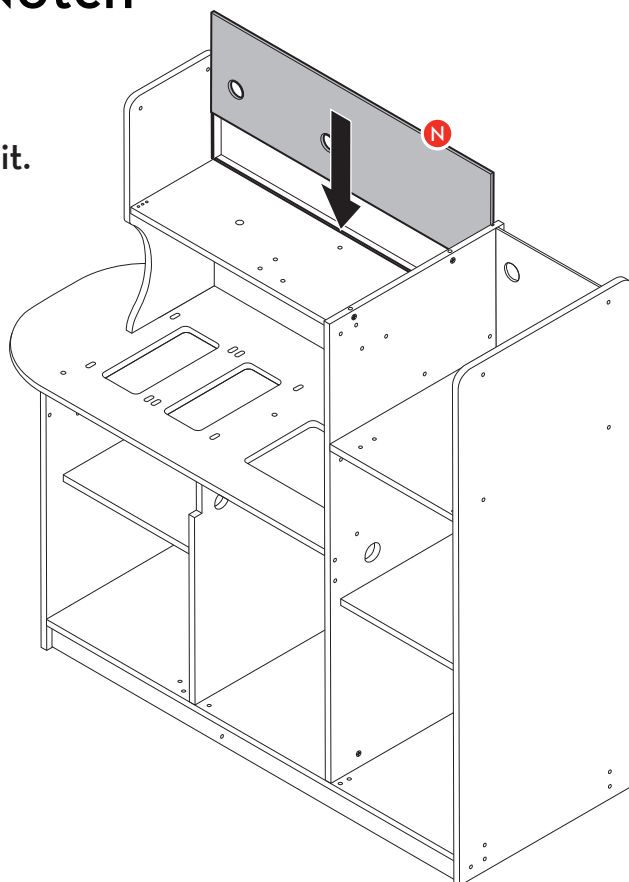
**!**  
**IMPORTANT:** Make sure the large hole is on the left side of the shelf.



Assembled View

## STEP 15 - Top Notch

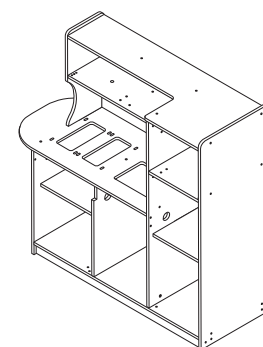
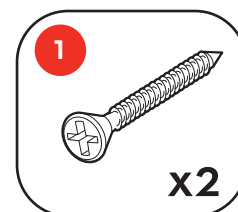
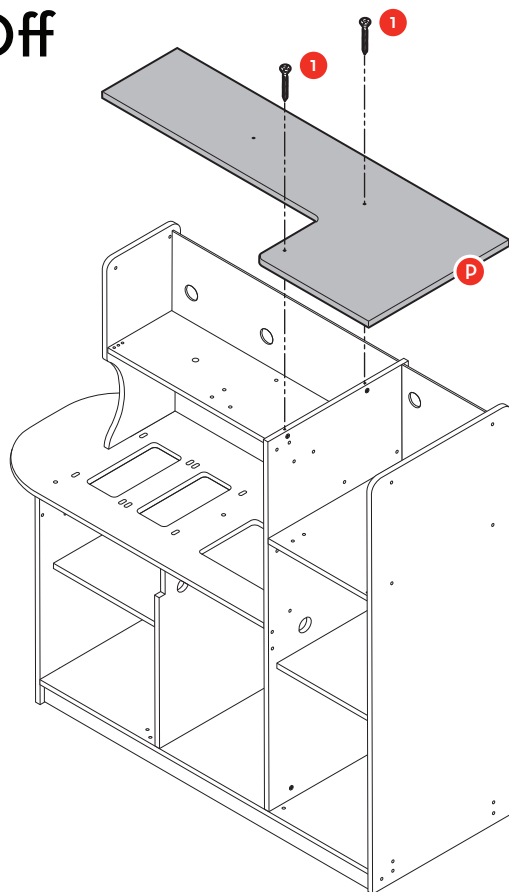
Slide the top back panel (part N) into the groove in the back of the kitchen unit.



Assembled View

## STEP 16 - Top It Off

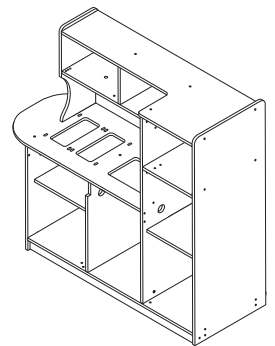
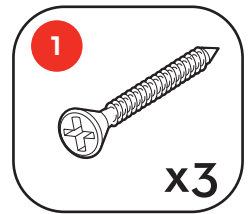
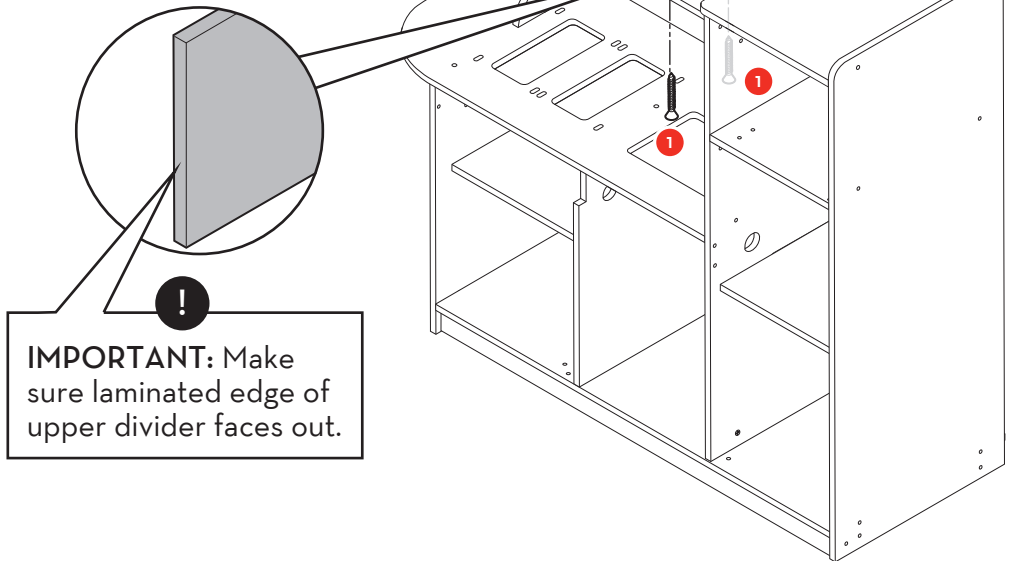
Using 2 screws (part 1), attach the top panel (part P) to the kitchen unit.



Assembled View

# STEP 17 - It's Great to Separate

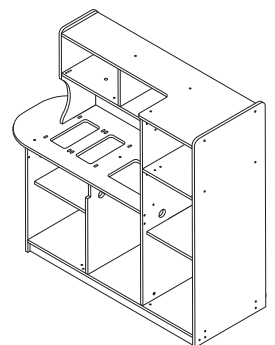
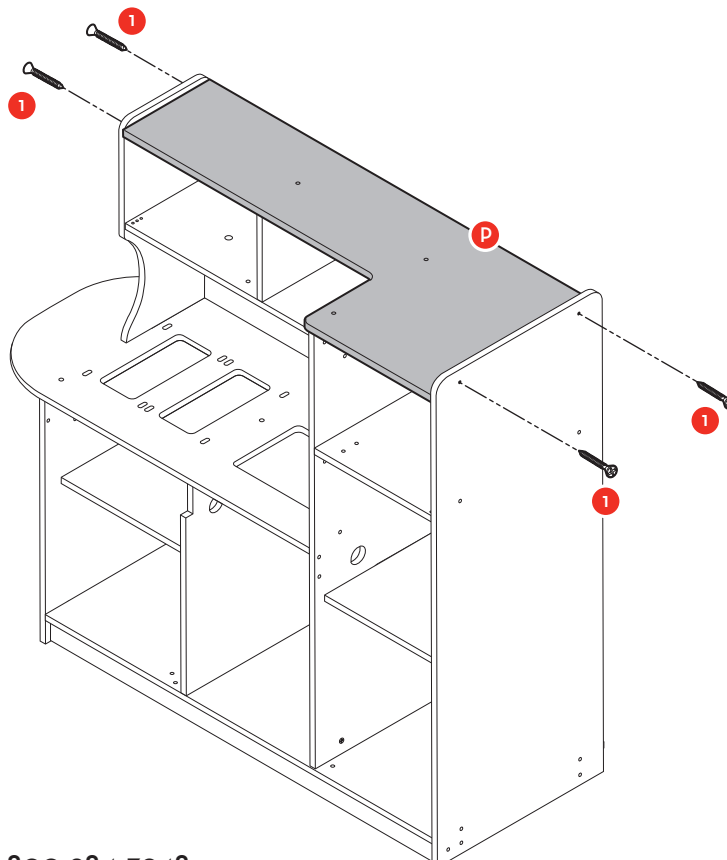
Slide upper divider (part O) into place. Using 3 screws (part 1), attach upper divider to the kitchen unit. Attach with screw through the top panel first.



Assembled View

# STEP 18 - Topsider

Using 4 screws (part 1), attach the top panel (part P) to the sides of the kitchen unit.

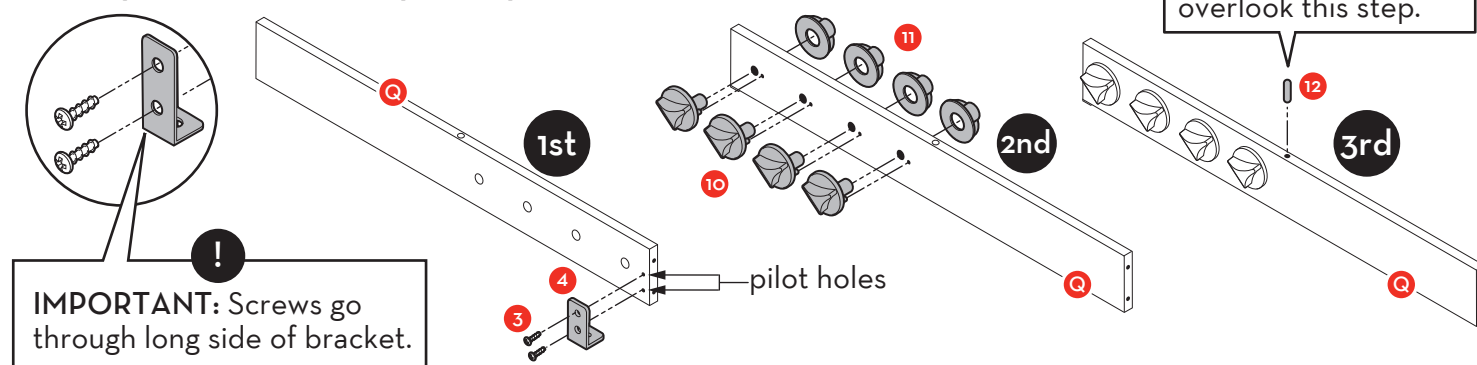
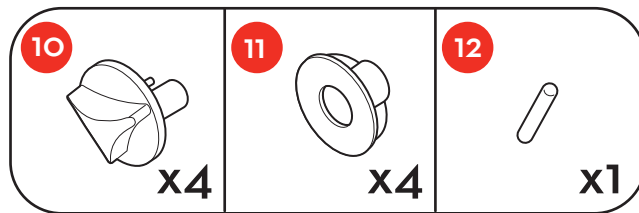
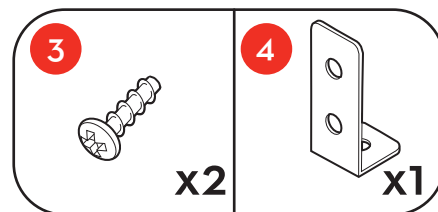


Assembled View



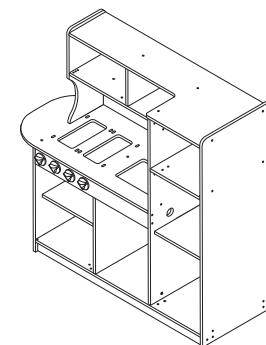
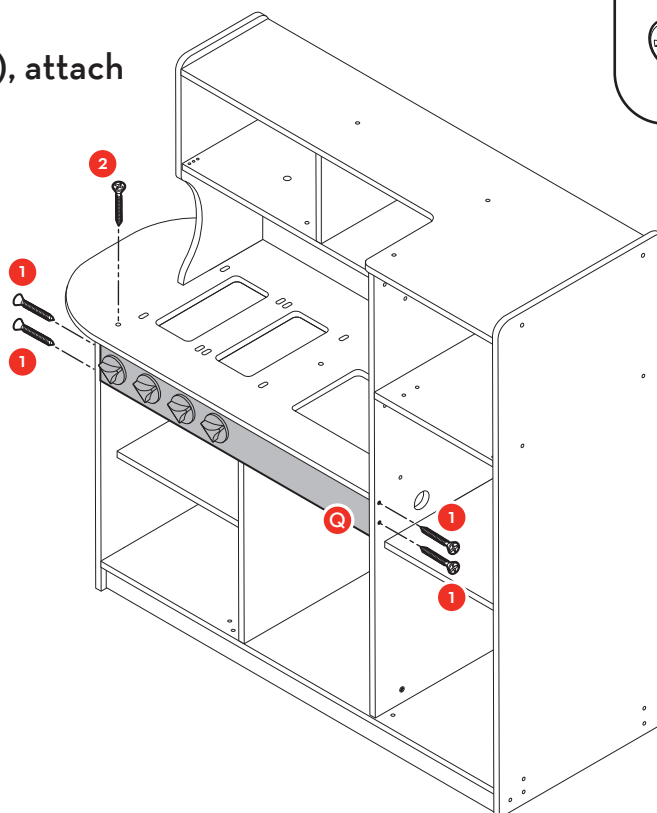
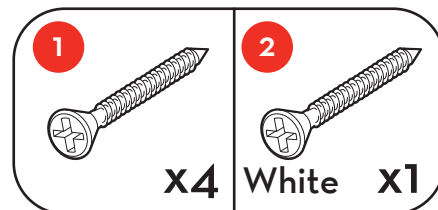
# STEP 19 - These Knobs Will Do the Job

- First, using 2 metal bracket screws (part 3), attach metal bracket (part 4) to the back of the oven control panel (part Q).
- Second, slide the oven knobs (part 10) through holes in the oven control panel (part Q). Press and screw oven knob nuts (part 11) firmly onto the back of the knobs.
- Third, insert the wooden dowel (part 12) into the top of oven control panel (part Q).



# STEP 20 - Under Control

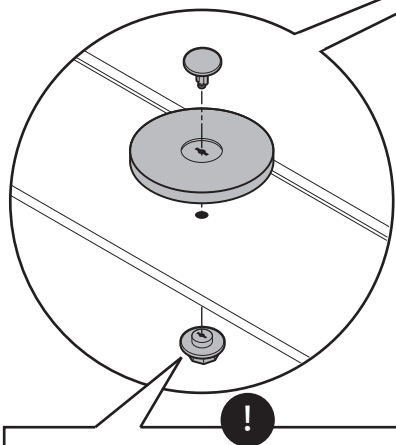
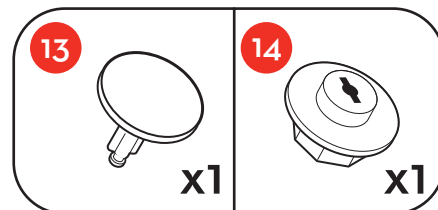
Using 4 screws (part 1), and 1 white screw (part 2), attach the oven control panel to the kitchen unit.



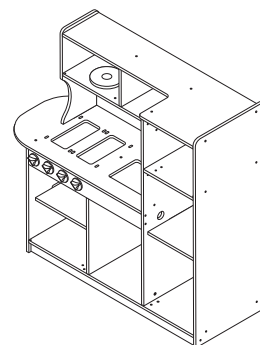
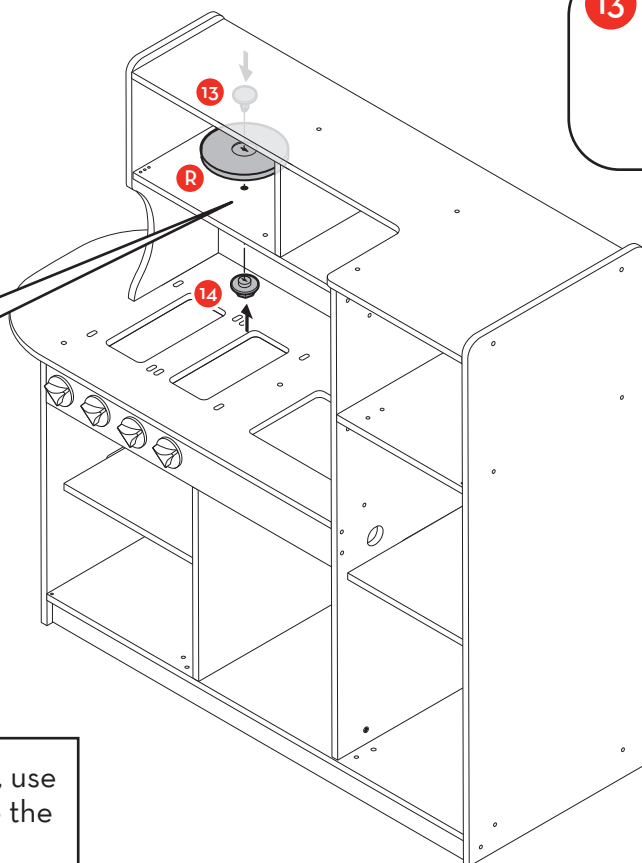
Assembled View

## STEP 21 - Turn, Turn, Turn

Insert the microwave pin (part 13) into the top of the microwave plate (part R), through the shelf, and snap it into the microwave knob beneath the shelf (part 14).

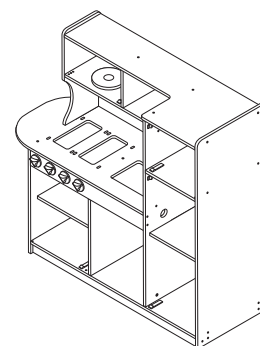
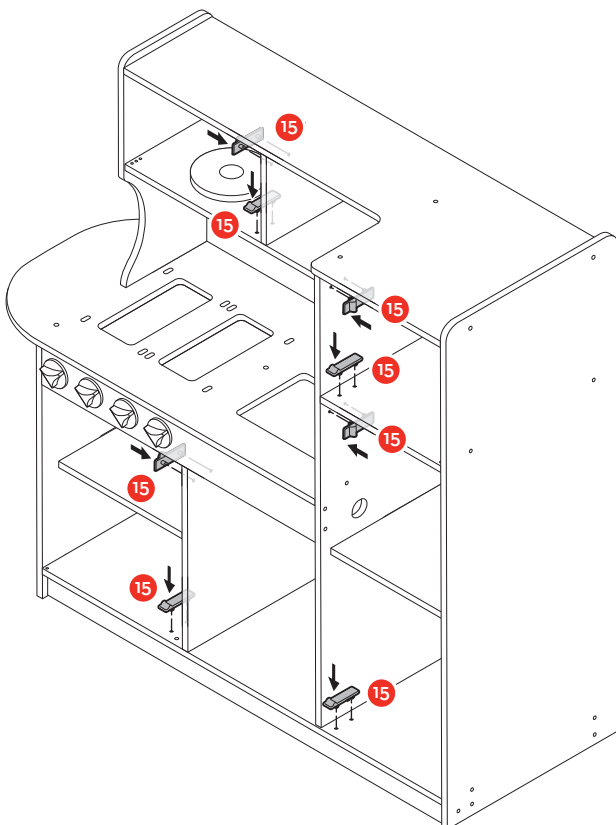
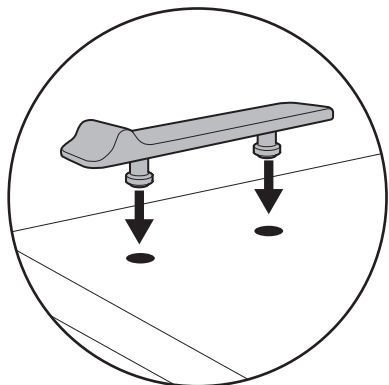
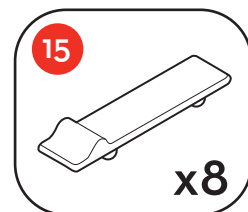


**IMPORTANT:** Once installed, use the microwave knob to rotate the microwave plate.



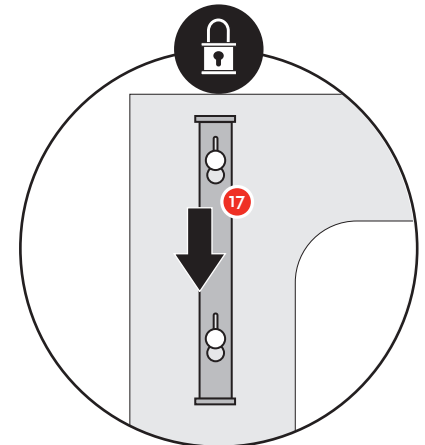
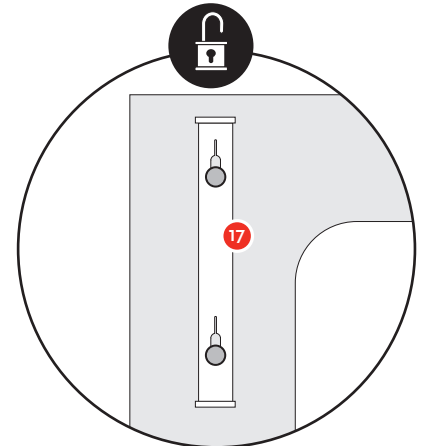
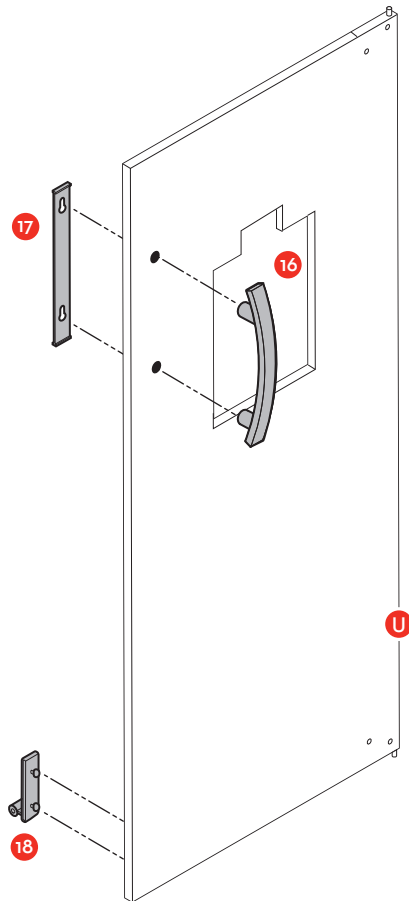
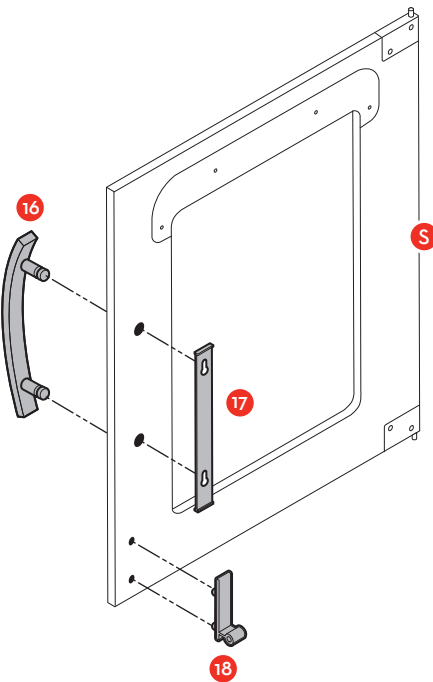
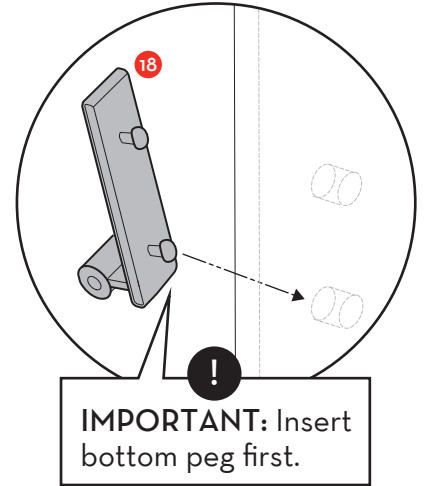
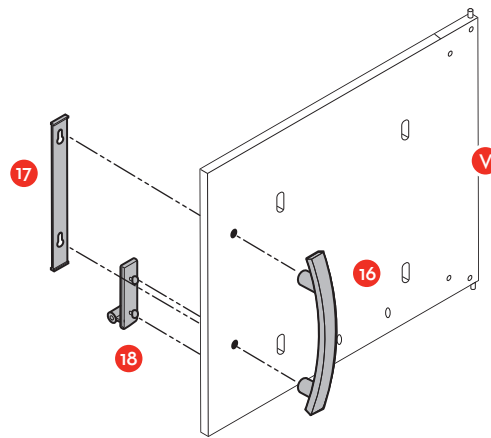
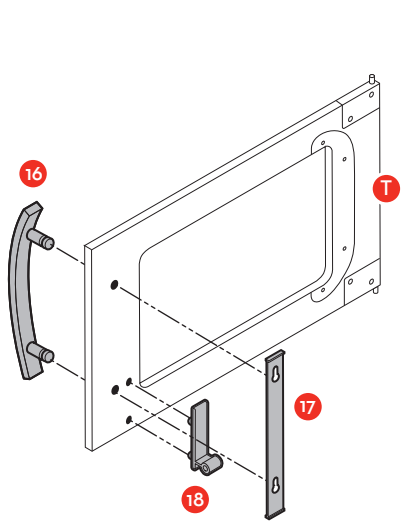
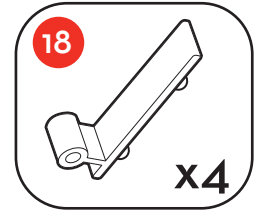
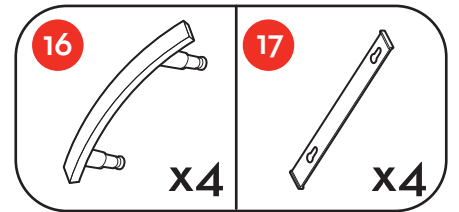
## STEP 22 - Catch As Catch Can

Insert the 8 door latch catches (part 15) into the kitchen unit.



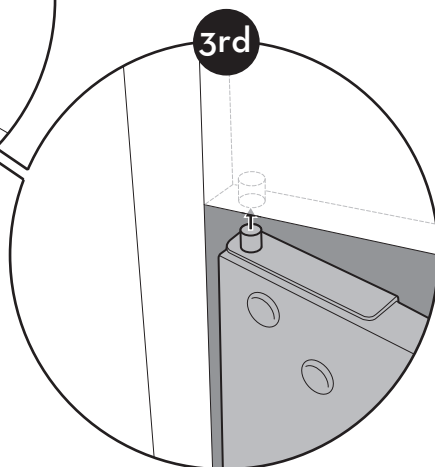
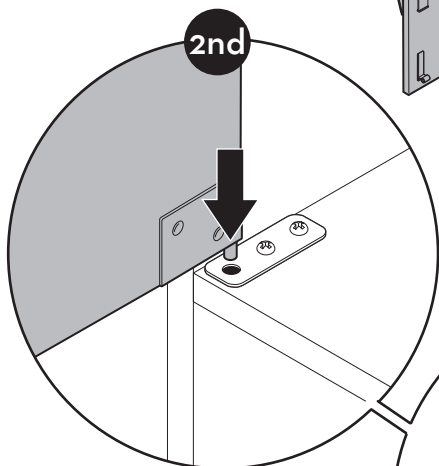
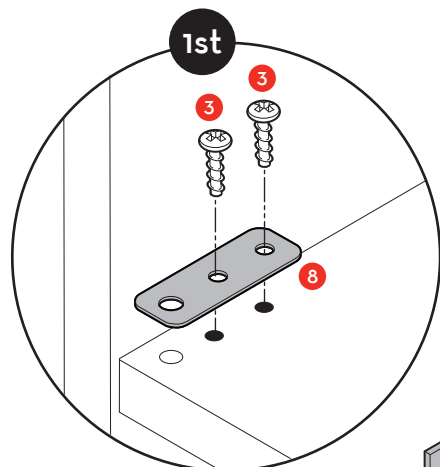
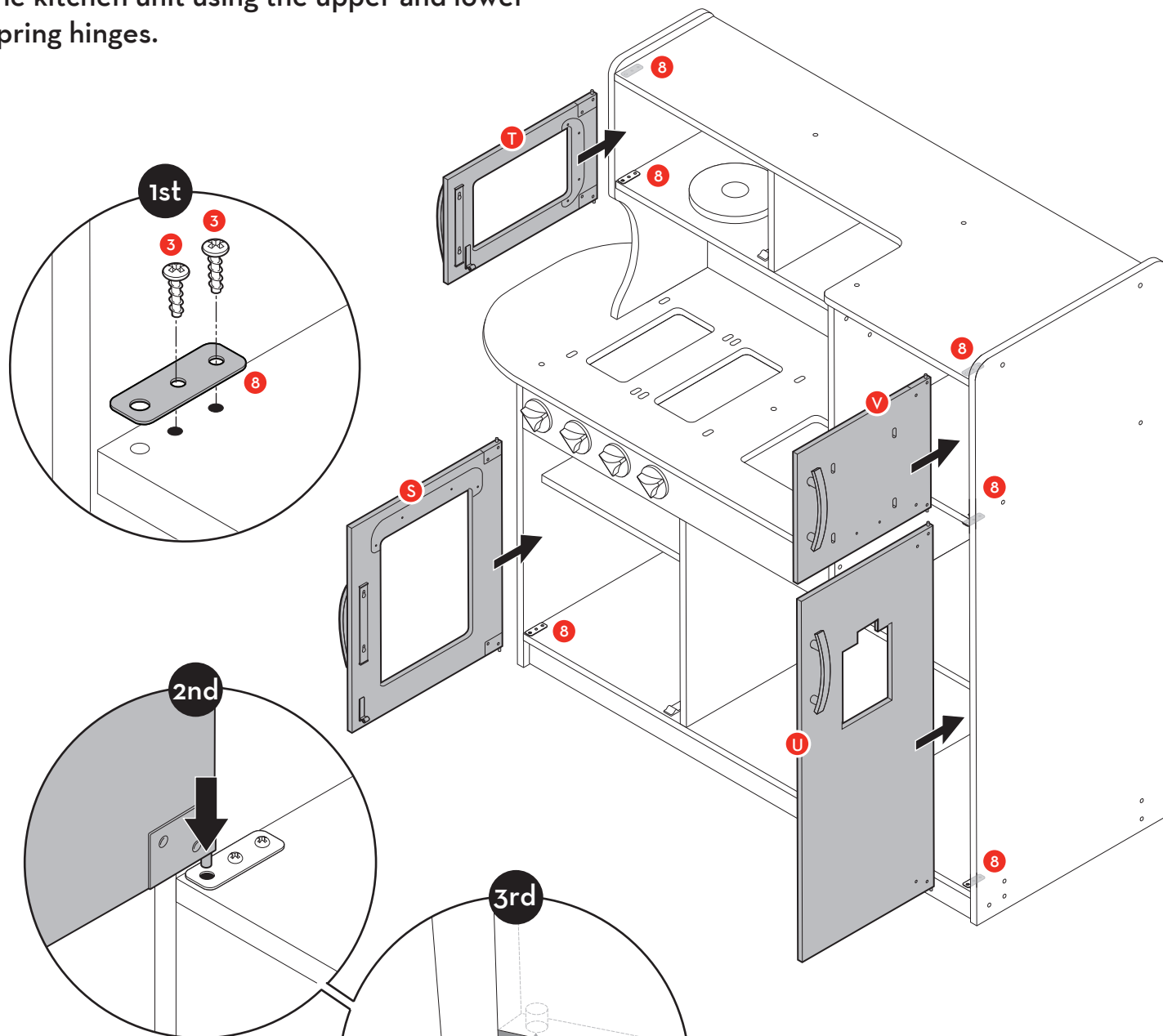
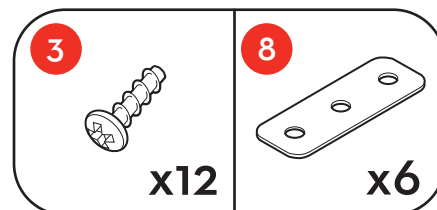
# STEP 23 - Easy to Handle

- Insert the 4 door handles (part 16) through the oven door, microwave door, refrigerator door, and freezer door (parts S, T, U & V).
- Slide the handle locks (part 17) onto the backs of the handles and push downward to lock.
- Insert 4 door latch springs (part 18) into the base of each door. **NOTE:** Insert the bottom peg first.

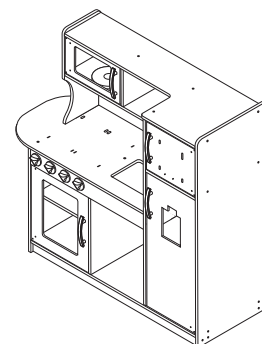


# STEP 24 - Don't Come Unhinged

- First, using 2 metal bracket screws (part 3) in each, attach 6 hinge brackets (part 8) to the kitchen unit.
- Second, attach the doors (parts S, T, U & V) to the kitchen unit using the upper and lower spring hinges.

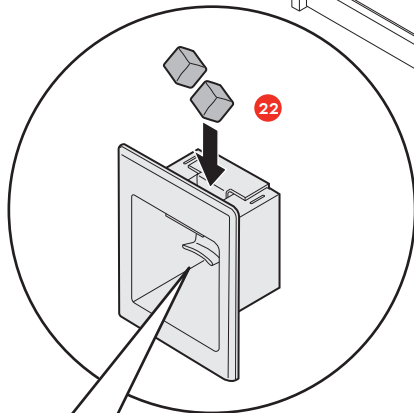
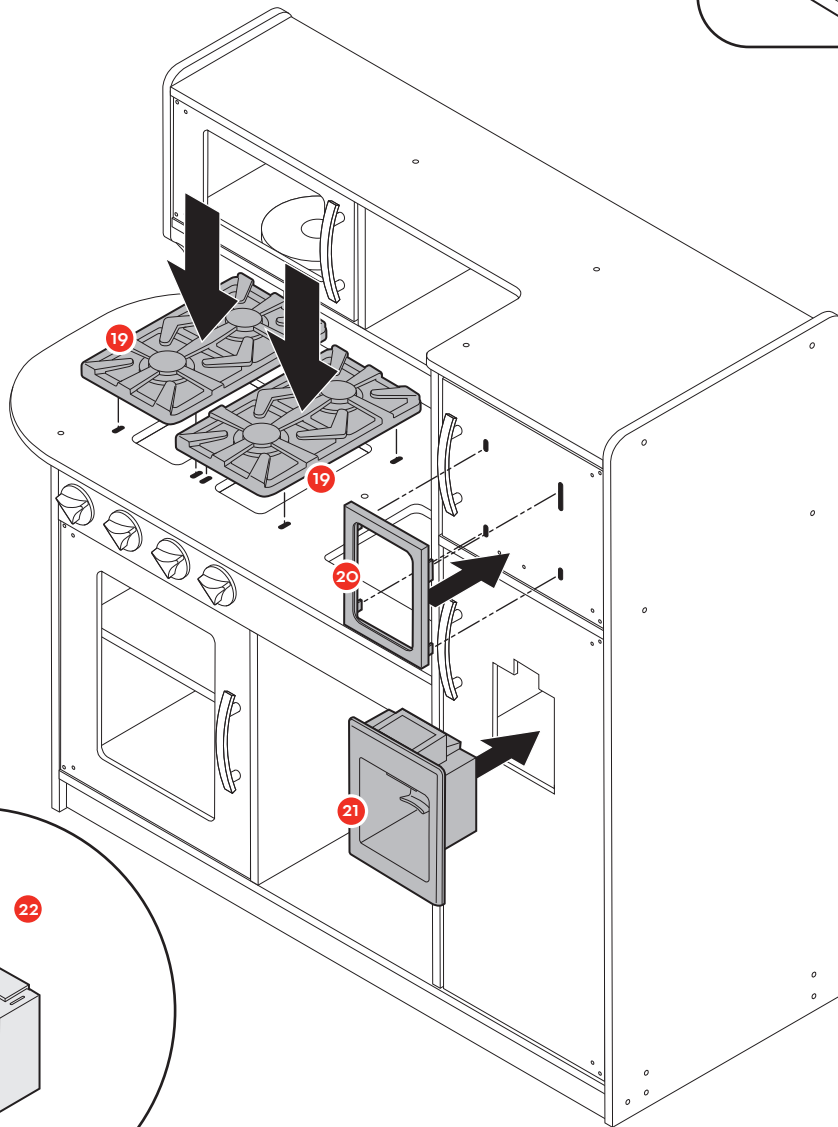
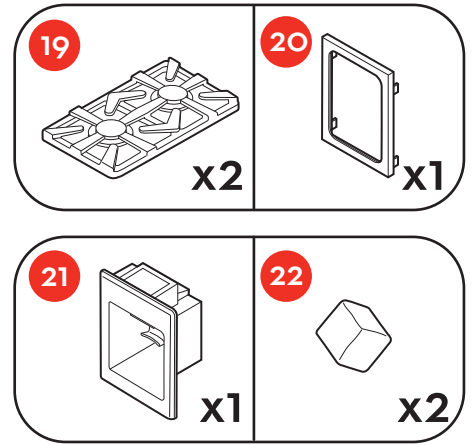


**!**  
**IMPORTANT:** Hinges are spring loaded. Depress the hinge buttons to fit into hinge slots.

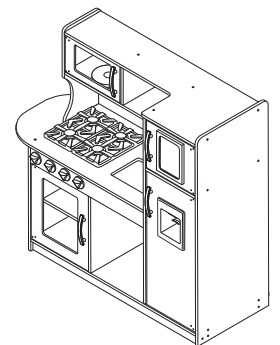


# STEP 25 - Fire and Ice and Everything Nice

- Snap the burners (part 19) into the slots on the top of the kitchen counter.
- Snap the picture frame (part 20) and ice maker (part 21) into the slots on front of kitchen unit.



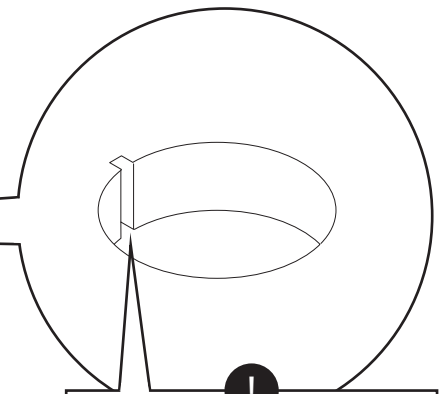
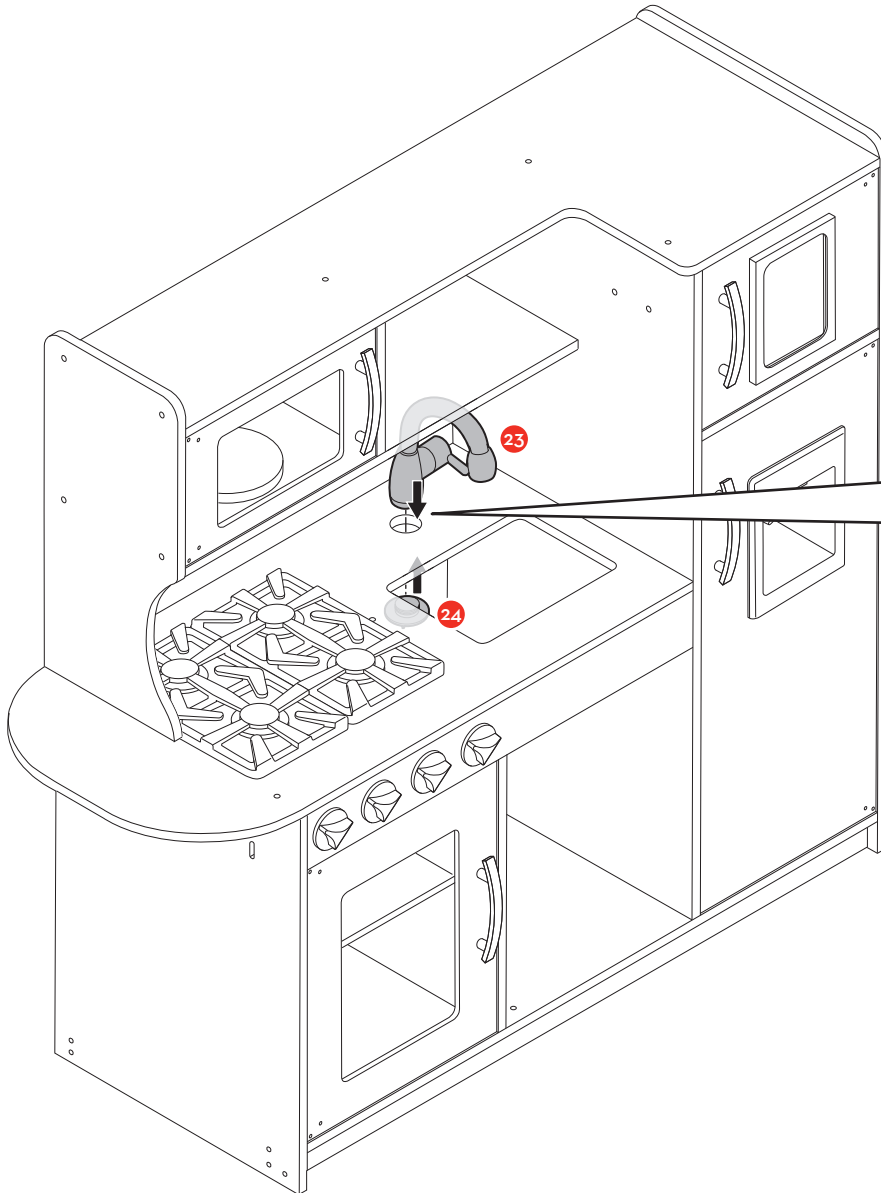
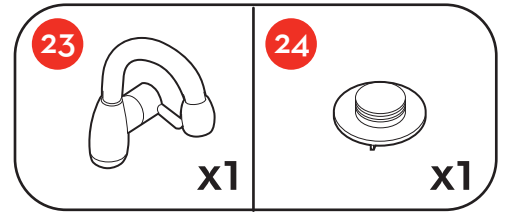
**IMPORTANT:** Stack ice cubes (part 22) in back of the dispenser. Pushing the ice dispenser's arm will release an ice cube.



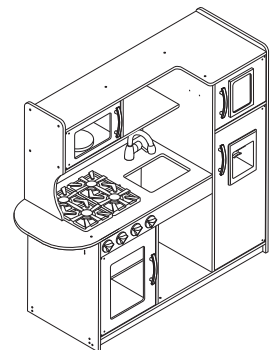
Assembled View

# STEP 26 - Don't Leave Out the Spout

Insert the faucet (part 23) into the faucet hole and secure it with faucet screw (part 24) beneath the counter top.

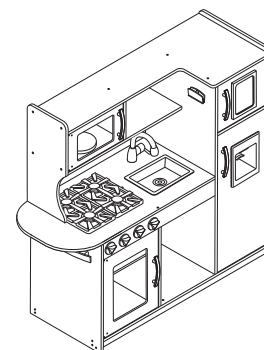
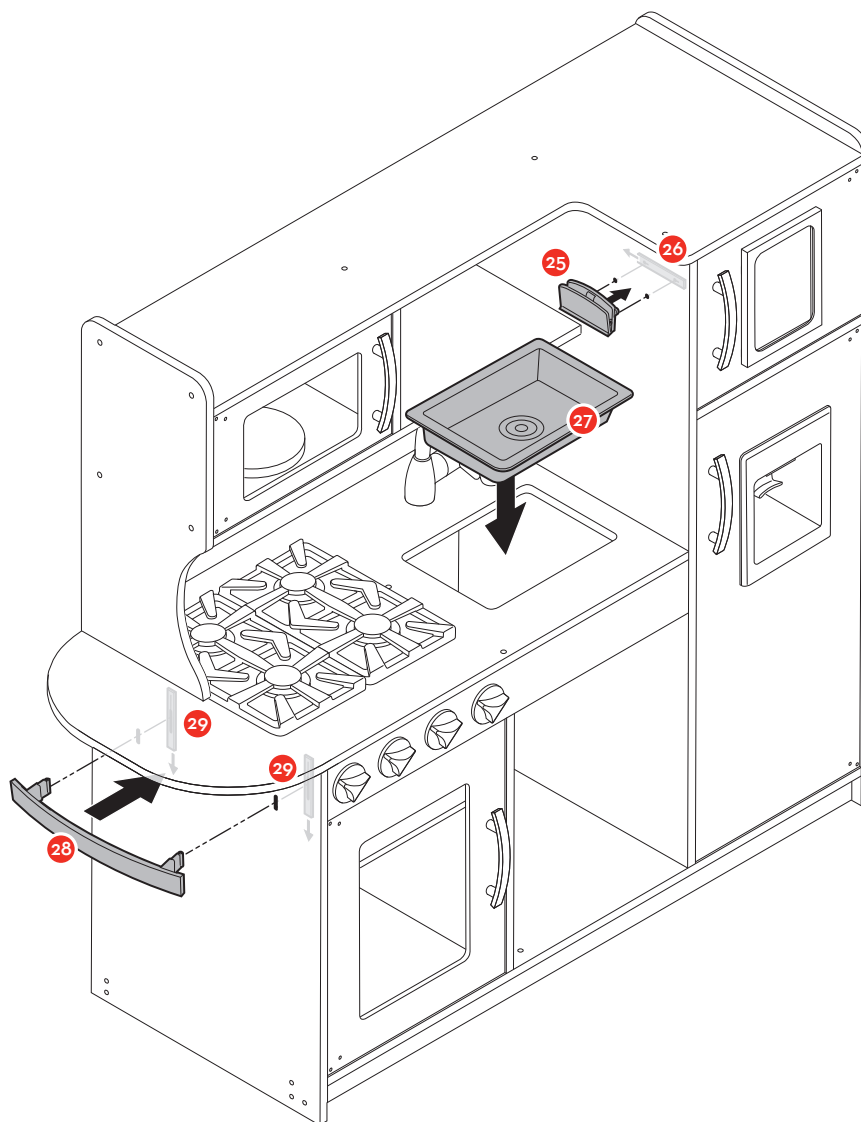
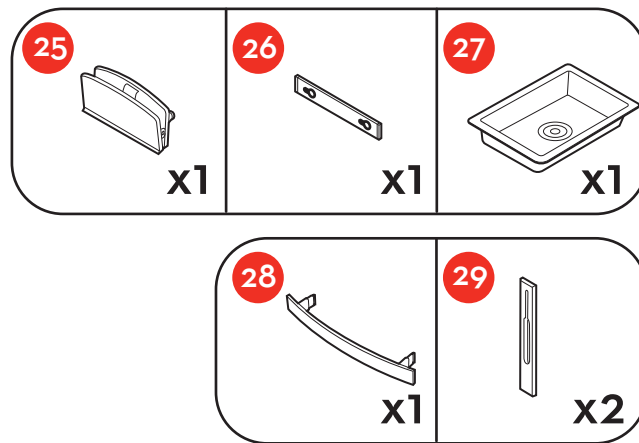


**!**  
**IMPORTANT:** Ridge on faucet should align to groove in hole.



# STEP 27 - Three, Two, One—Done!

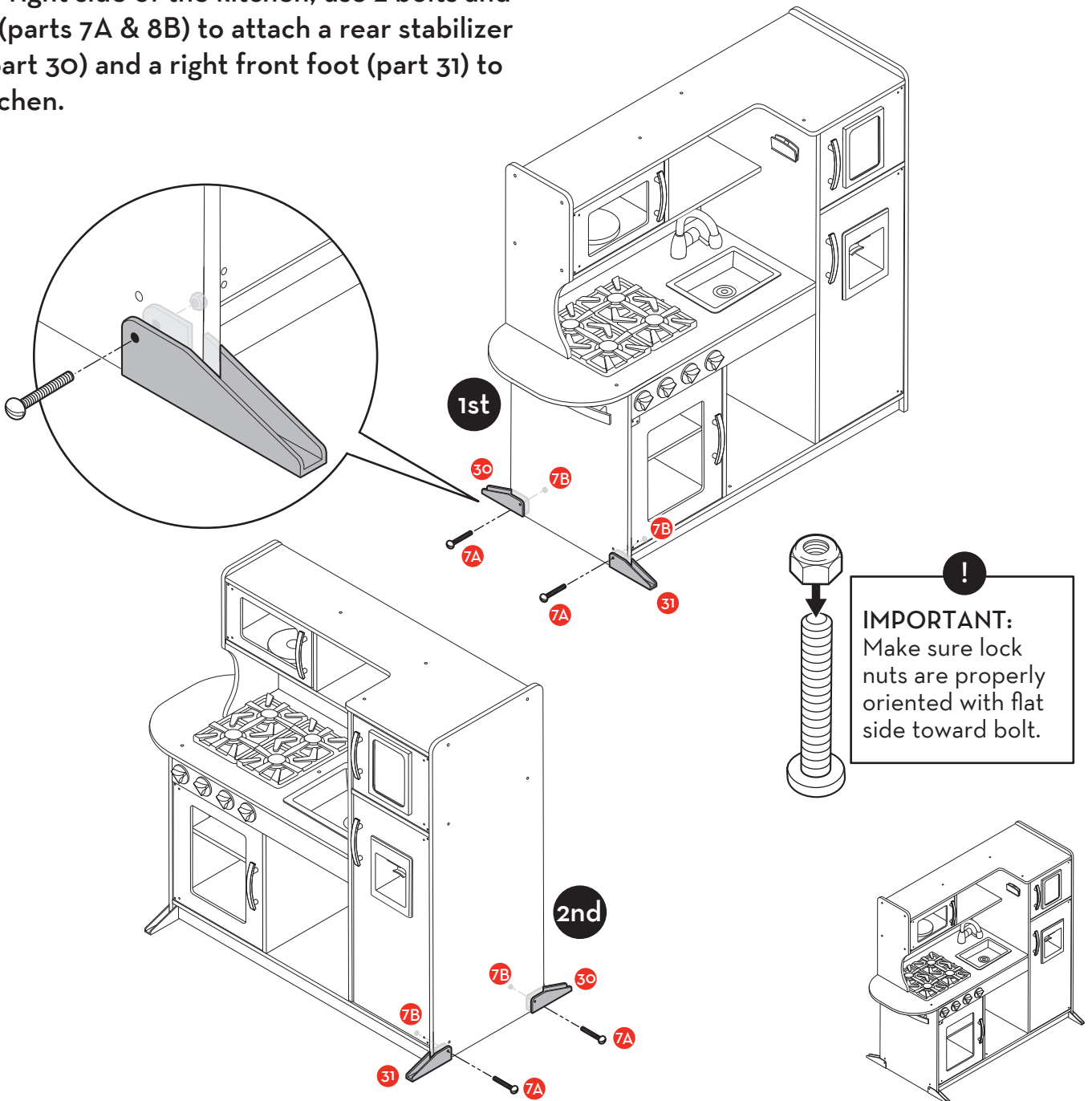
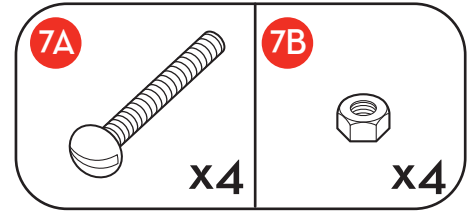
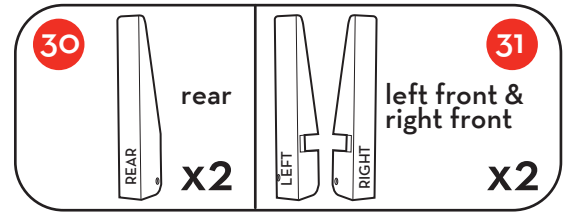
- Insert the kitchen clip (part 25) into the kitchen unit, and lock with the kitchen clip lock (part 26).
- Insert the sink (part 27) into the kitchen counter top.
- Insert the towel bar (part 28) into the side of the kitchen unit, and lock each end into place with the towel bar locks (part 29).



Assembled View

# ATTACHING STABILIZER FEET (freestanding)

- If using the kitchen as a freestanding structure, then add stabilizer feet.
- Starting on the left side, use 2 bolts and 2 nuts (parts 7A & 7B) to attach a rear stabilizer foot (part 30) and a left front foot (part 31) to the kitchen.
- On the right side of the kitchen, use 2 bolts and 2 nuts (parts 7A & 8B) to attach a rear stabilizer foot (part 30) and a right front foot (part 31) to the kitchen.

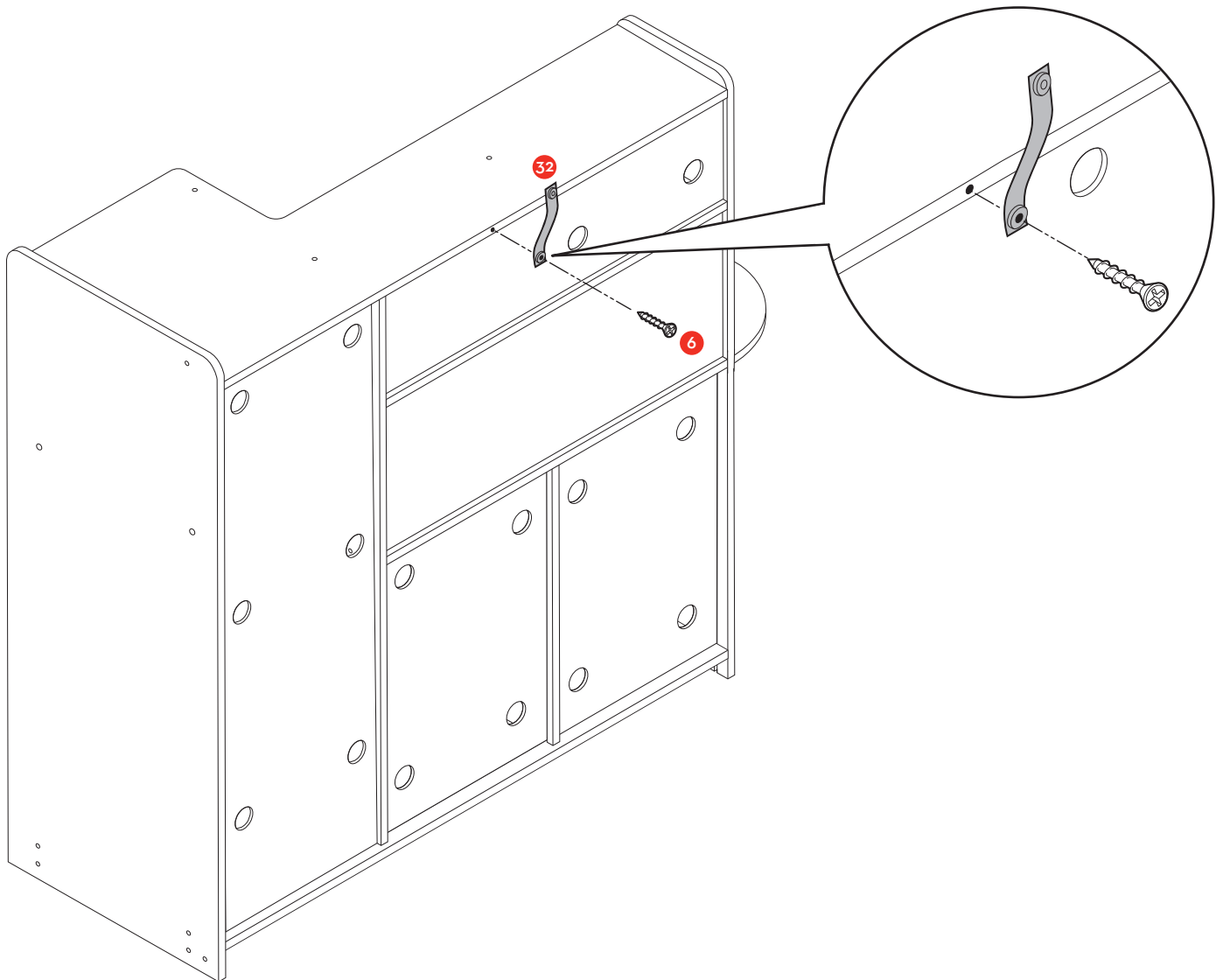
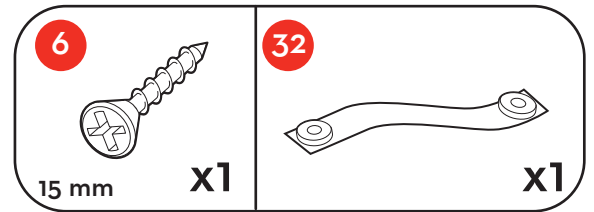




# ATTACHING STABILIZER STRAPS (against wall)

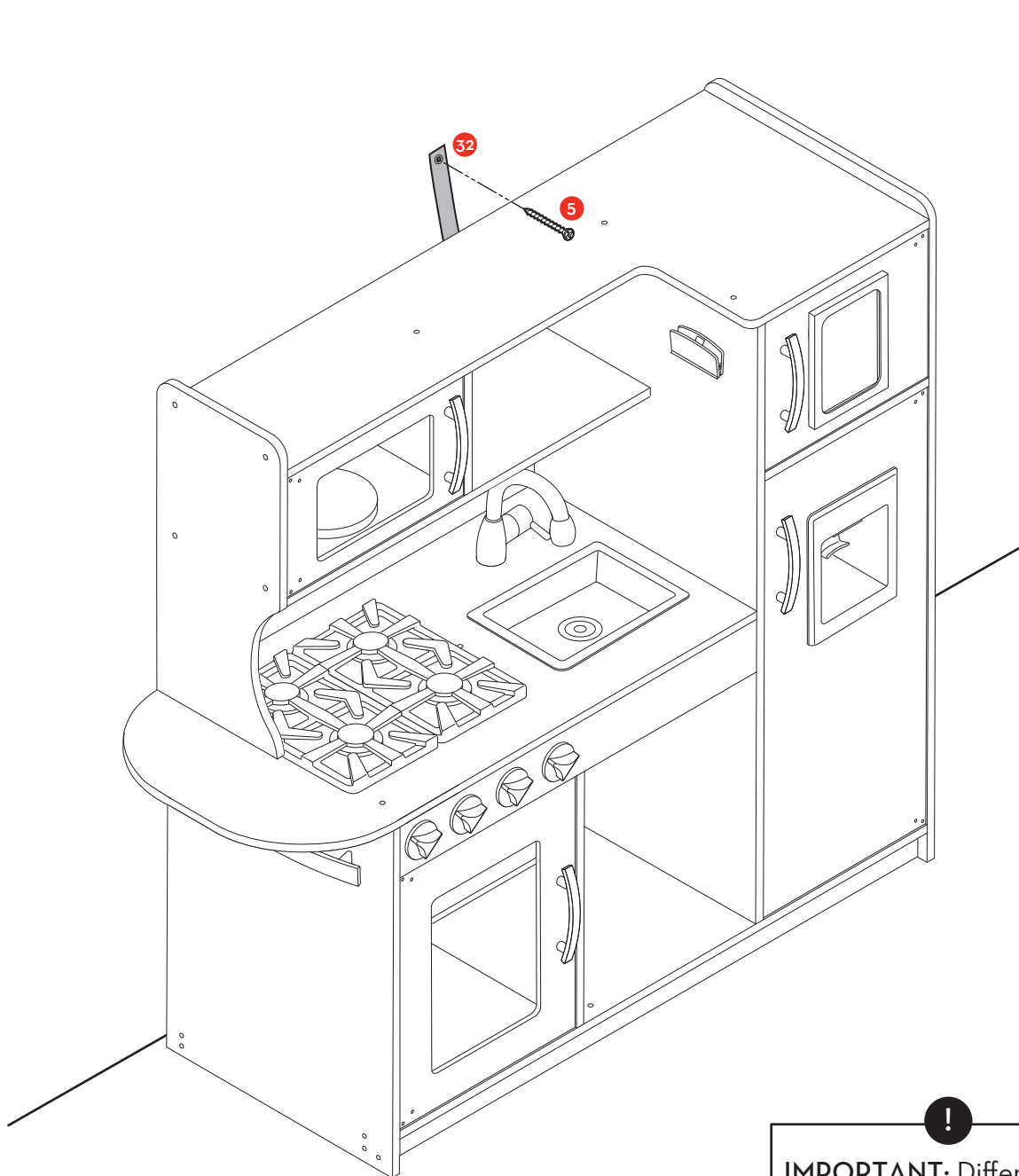
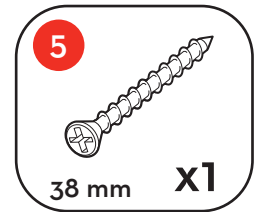
## STEP 1

- If placing the kitchen against the wall, then add the stabilizing strap (part 32).
- Insert the 15 mm kitchen screw (part 6) through a hole in the strap and screw into the top of the kitchen.



# STEP 2

- This step is for drywall with a wood stud only! Locate the wall stud, then place the provided 38 mm wall screw (part 5) through the stabilizing strap hole and anchor it directly into the wood stud.
- For any other wall materials, contact your local hardware retailer for the best anchor method because different wall materials require different anchoring devices.



**!**  
**IMPORTANT:** Different wall materials will need different anchoring devices.

# YOU DID IT!

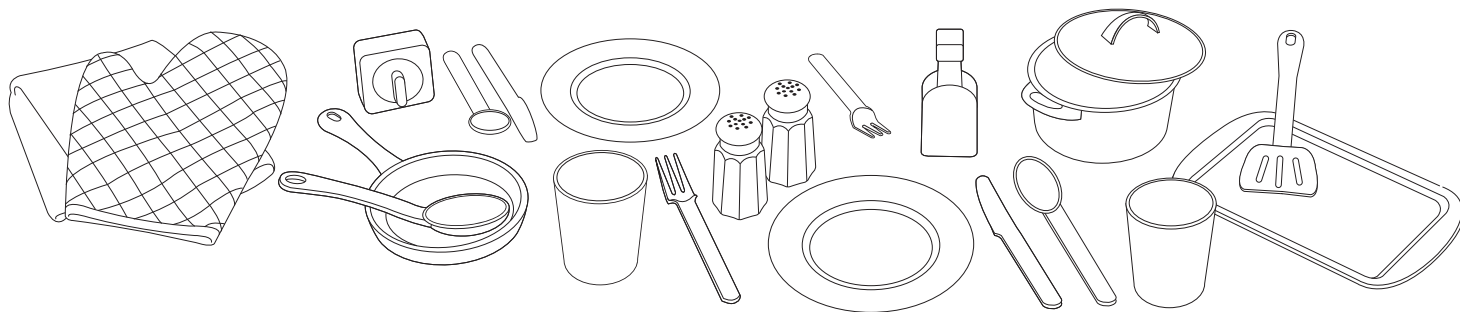
Now the real fun begins—it's time to get cooking! Here are some of the special features of the Chef's Kitchen:

- **Ice Maker with Ice Cubes:** To load the ice cubes into the ice maker, open the refrigerator door and stack the cubes in the square opening on top of the dispenser. Close the door and gently press the dispenser handle—the cubes drop down one at a time!
- **Generous Storage and Cooking Space:** Keep lots of pretend food “chilled” in the two-level refrigerator and separate top freezer; a shelf in the oven gives extra room for “cooking” several dishes at once; store pantry items, cookware, and serving utensils on the shelf and under the sink.
- **Hooks and Towel Bar:** Neatly hang pots and pans, serving utensils, and oven mitts on the sliding hooks under the top shelf, and towels and aprons on the handy towel bar.
- **Stove/Oven Dials Turn and Click:** Dials are marked with pictures to indicate which burner each controls, just like on real stoves. Follow the arrows to turn the temperature from low to high and back again, and they make a satisfying clicking noise.
- **Microwave with Turntable:** Pretend to enter cooking time by pressing the numbers 0-9 on the microwave. Use the knob under the microwave to rotate the plate to “heat” food evenly. Door latches securely.
- **Sink Handle Turns and Faucet Swivels:** Pretend to adjust “hot” and “cold” water flow.
- **Write-On Grocery List with Clip:** To market, to market! Mark the grocery list with pencil and then erase to use over and over. Keep the list handy by clipping to the jumbo kitchen clip on the side of the fridge.
- **Add Personalized Art:** Use crayons, pencils, markers, or paint to color in the black and white picture and display in the frame on the refrigerator. Or, create and display original works of art!

---

## ACCESSORIZE

The Melissa & Doug Kitchen Accessory Play Set (#9304) has everything needed to get started with the Chef's Kitchen!



It includes a pot with lid, frying pan, baking sheet, spatula, serving spoon, 2 plates, 2 cups, 2 forks, 2 knives, 2 spoons, salt and pepper shakers, wooden olive oil bottle, timer, dish towel, and an oven mitt.

For this and other play kitchen essentials, such as play food, pantry items, cookware, utensils, and more, visit us at [MelissaAndDoug.com](http://MelissaAndDoug.com)!

