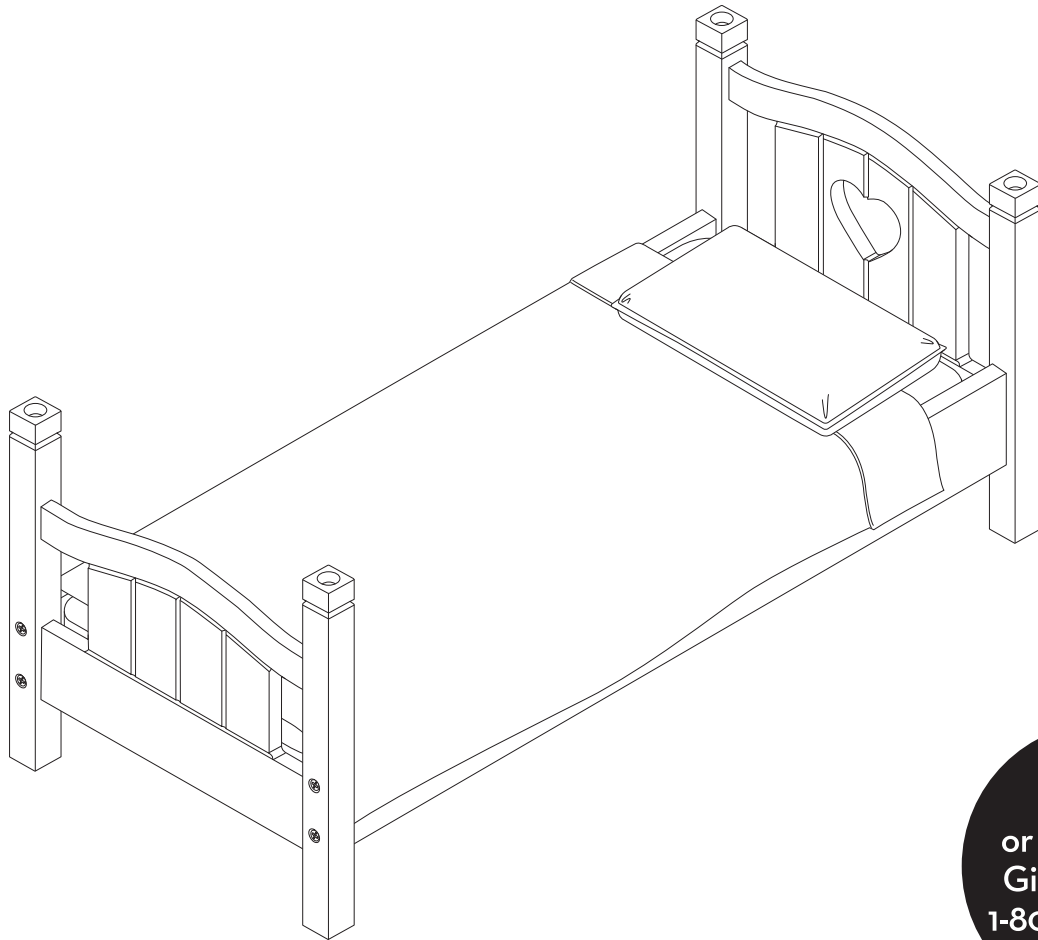




Mine to Love[®] Play Bed

ASSEMBLY INSTRUCTIONS



Have a question or need help? Give us a call! 1-800-284-3948

Melissa & Doug[®]

We ♥ feedback! Call us: 1-800-284-3948

MelissaAndDoug.com

Item #31727

Ages 3+

Melissa & Doug products meet or exceed all U.S. toy testing standards and pass our high quality requirements.

© 2019 Melissa & Doug, LLC, P.O. Box 590, Westport, CT 06881
MADE IN CHINA

⚠ WARNING:
ADULT ASSEMBLY REQUIRED.
Contains small parts before assembly.



DO NOT use power tools to assemble. Using power tools will cause product to crack!

DO NOT OVER-TIGHTEN! Over-tightening will cause product to crack!

THANK YOU!

Thank you for choosing the Melissa & Doug Mine to Love® Play Bed! It's a terrific way to help nurture a child's creativity and imagination, and to inspire children to dote on their dolls for years to come.

NOW IT'S TIME TO PUT IT TOGETHER!

Don't worry, assembling your new play bed is simple, and we're here to help. Here are a few tips before you begin:

- Read through all the instructions first.
- Clear a flat, covered space to lay out all the materials so everything is close at hand.
- You will need a Phillips head screwdriver (not included) to assemble the bed. We've included everything else you will need. All wooden parts are labeled with a sticker (A-D).
- The instructions include lots of helpful pictures—we show you, step-by-step, how to align pieces and parts for speedy and accurate assembly. Note that the hardware needed for each step is shown in the upper right corner of every section, each piece being added in a given step is highlighted in gray, and the “assembled view” (what it looks like in the completed product when the step is completed) is included in the lower right corner of every section.
- In the instructions, the name of a part is followed by a letter or number in parentheses. This letter corresponds to the sticker on the part, as well as the picture of the part shown on page 2.
- Helpful hints are highlighted with a large exclamation point.



IMPORTANT: Helpful hints are found here.

- If you have any questions, we're here for you! Give our customer care team a call at 1-800-284-3948!
-

WARNINGS!

Retain these instructions for future reference.

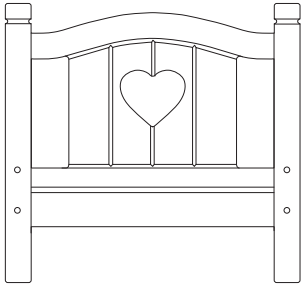
Warning: Prevent Tip Overs!

- For pretend play only. Use only with toy dolls or stuffed animals.
 - This play bed is not intended for child seating.
 - Do not allow children to sit or stand on any part of the bed.
 - Never place computers, televisions, or other heavy objects on top of the bed.
 - The bed must be assembled as instructed.
-

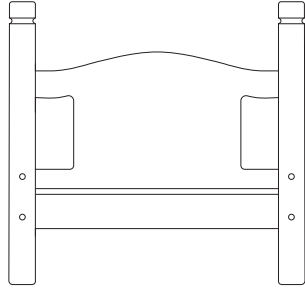
MAINTENANCE:

Ensure the play bed continues to function properly and safely by regularly checking the hardware and tightening when necessary.

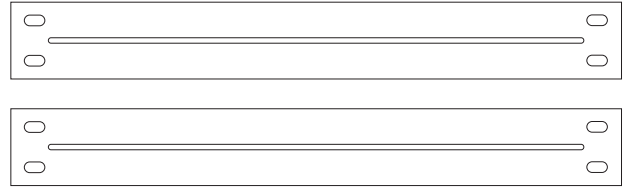
WOODEN PANELS - Be Smart—Sort Your Parts



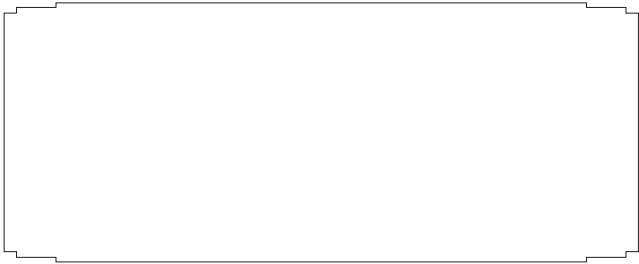
A headboard



B footboard



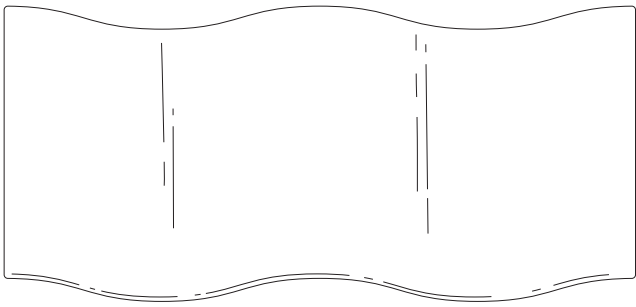
C side rail (2)



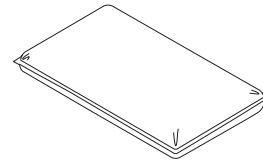
D base



E mattress

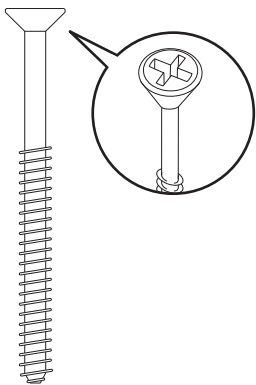


F blanket



G pillow

HARDWARE (shown actual size)



I screw (8)

IMPORTANT

Be smart—sort your parts!
Be sure you have all required parts BEFORE beginning assembly!



DO NOT use power tools to assemble.
Using power tools will cause product to crack!

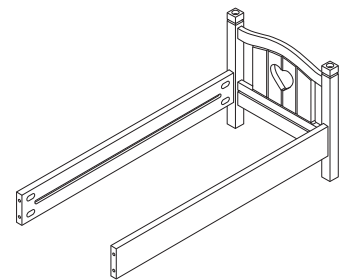
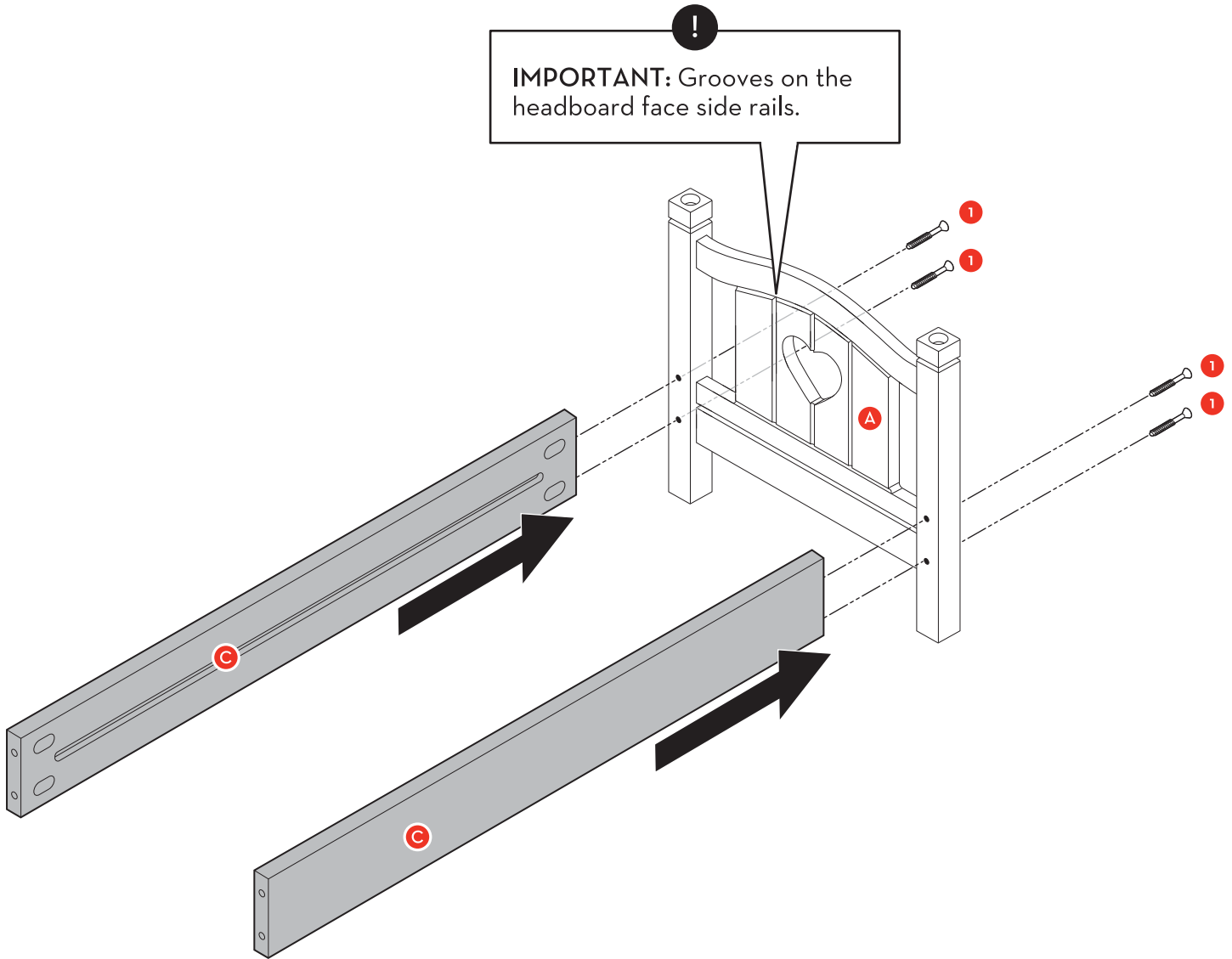


To complete assembly, use hand-held screwdriver to fully tighten all screws until they're snug.

DO NOT OVER-TIGHTEN!
Over-tightening will cause product to crack!

STEP 1 - Every Journey Begins with the First Step

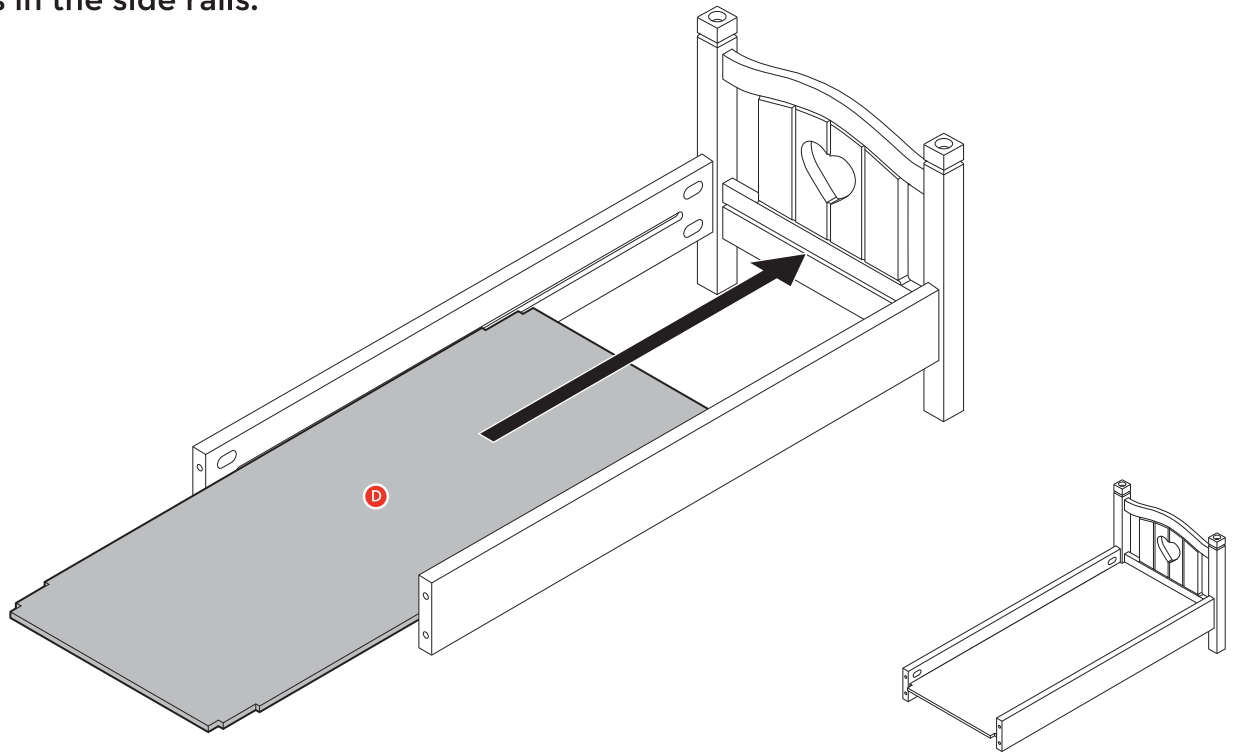
Using 4 screws (part 1), attach the side rails (part C) to the headboard (part A). Grooves on rails face each other.



Assembled View

STEP 2 - All About the Base

With white side up, slide the base (part D) into the grooves in the side rails.

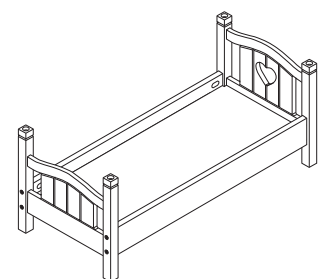
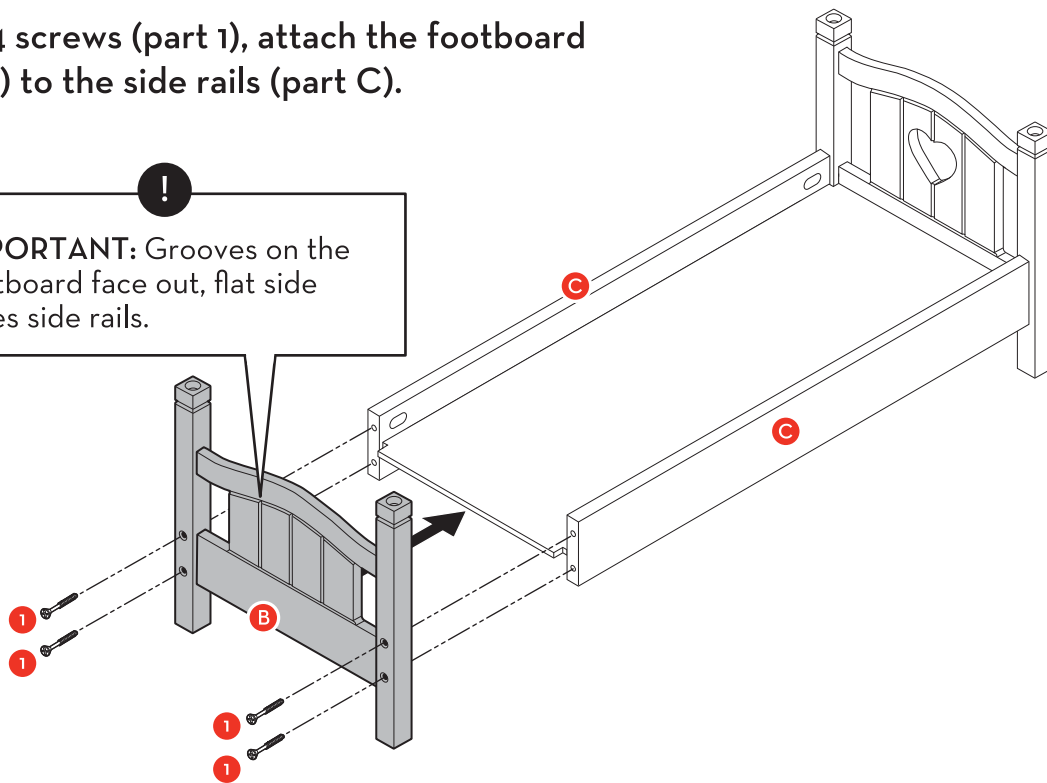


Assembled View

STEP 3 - A Treat for Feet

Using 4 screws (part 1), attach the footboard (part B) to the side rails (part C).

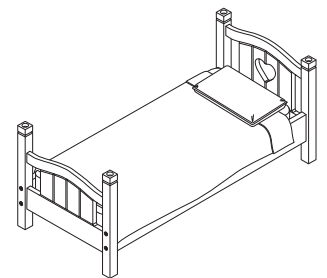
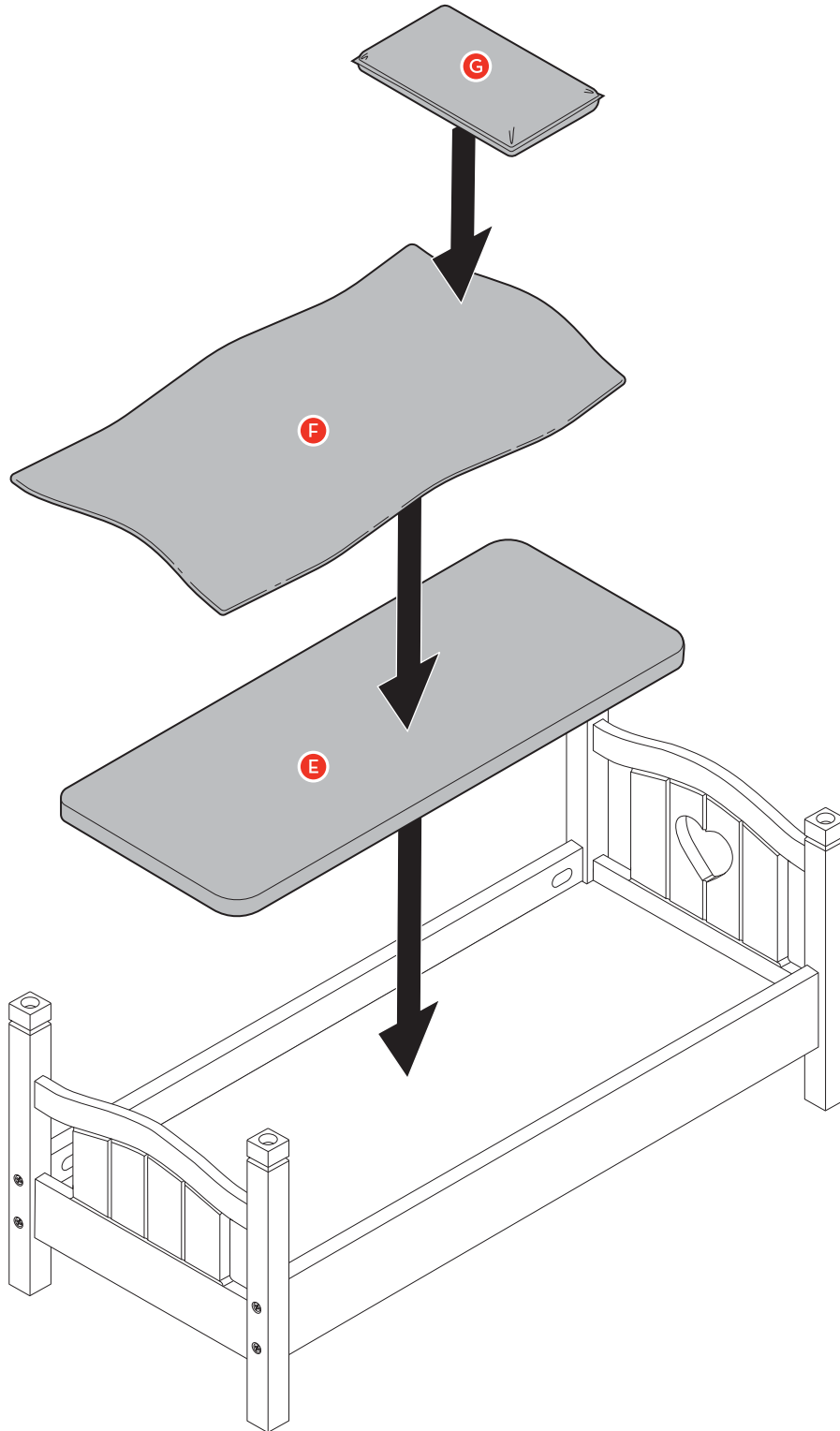
!
IMPORTANT: Grooves on the footboard face out, flat side faces side rails.



Assembled View

STEP 4 - What Fun, You're Done!

Arrange the mattress (Part E), blanket (part F), and pillow (part G) on the bed.



Assembled View

YOU DID IT!

Now the real fun begins—it's time to help favorite dolls and stuffed animals snuggle down and get ready for bedtime in this cozy and classically styled bed!

ACCESSORIZE

Dolls up to 20 inches tall fit in the Melissa & Doug Mine to Love® Play Bed. They're designed to coordinate beautifully with other Melissa & Doug Mine to Love® play furniture, dolls, and doll accessories. To find these items, visit us at MelissaAndDoug.com!

