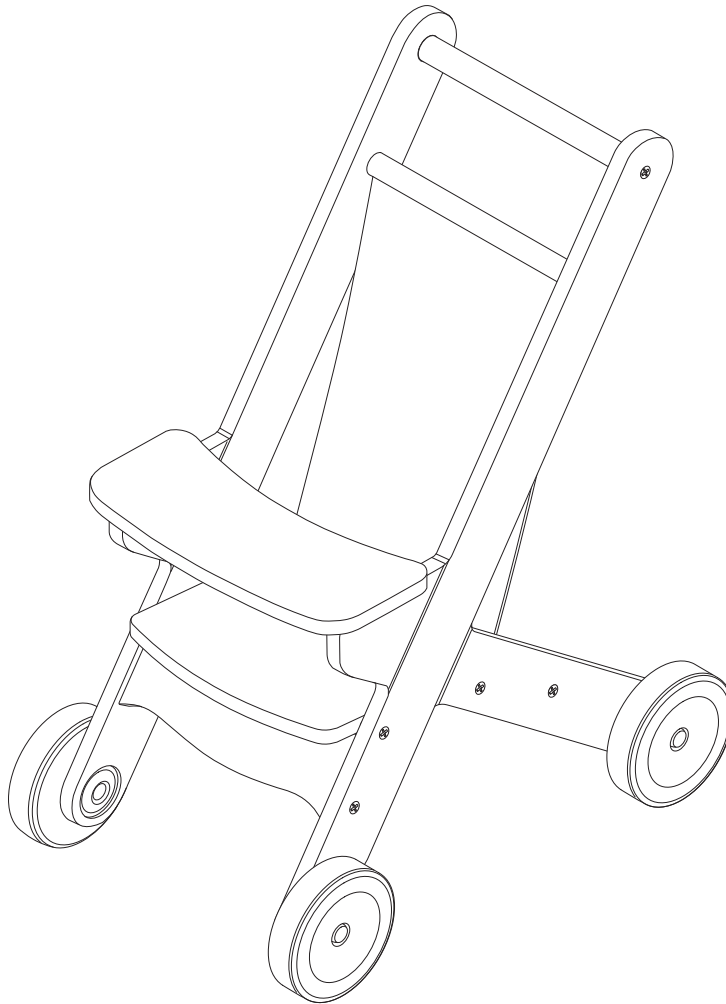




Mine to Love[®] Play Stroller

ASSEMBLY INSTRUCTIONS



Have a question or need help? Give us a call! 1-800-284-3948

Melissa & Doug[®]

We ♥ feedback! Call us: 1-800-284-3948
MelissaAndDoug.com

Item #31725

Ages 3+

Melissa & Doug products meet or exceed all U.S. toy testing standards and pass our high quality requirements.

© 2019 Melissa & Doug, LLC, P.O. Box 590, Westport, CT 06881
MADE IN CHINA

⚠ WARNING:
ADULT ASSEMBLY REQUIRED.
Contains small parts before assembly.



DO NOT use power tools to assemble. Using power tools will cause product to crack!

DO NOT OVER-TIGHTEN! Over-tightening will cause product to crack!

THANK YOU!

Thank you for choosing the Melissa & Doug Mine to Love® Play Stroller! It's a terrific way to help nurture a child's creativity and imagination, and to inspire children to dote on their dolls for years to come.

NOW IT'S TIME TO PUT IT TOGETHER!

Don't worry, assembling your new play stroller is simple, and we're here to help. Here are a few tips before you begin:

- Read through all the instructions first.
- Clear a flat, covered space (carpeted is best) to lay out all the materials so everything is close at hand.
- You will need a Phillips head screwdriver (not included) to assemble the stroller. We've included everything else you will need. All wooden parts are labeled with a sticker (A-E, G-H).
- The instructions include lots of helpful pictures—we show you, step-by-step, how to align pieces and parts for speedy and accurate assembly. Note that the hardware needed for each step is shown in the upper right corner of every section, each piece being added in a given step is highlighted in gray, and the “assembled view” (what it looks like in the completed product when the step is completed) is included in the lower right corner of every section.
- Helpful hints are highlighted with a large exclamation point.



IMPORTANT: Helpful hints are found here.

- If you have any questions, we're here for you! Give our customer care team a call at 1-800-284-3948!
-

WARNINGS!

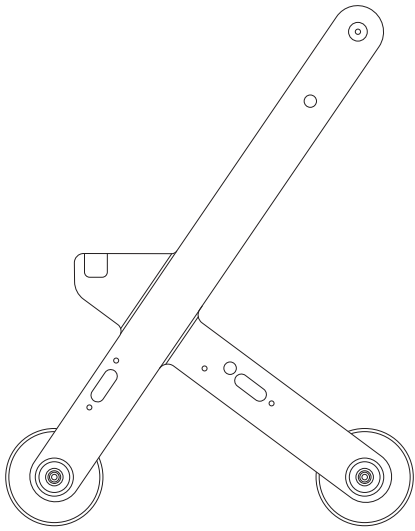
Retain these instructions for future reference.

- This play stroller is not intended for child seating. Use only with toy dolls or stuffed animals.
 - Do not allow children to sit or stand on any part of the stroller.
 - Never place computers, televisions, or other heavy objects on top of the stroller.
 - The stroller must be assembled as instructed.
-

MAINTENANCE:

Ensure the play stroller continues to function properly and safely by regularly checking the hardware and tightening when necessary.

PARTS - Be Smart—Sort Your Parts



A left side



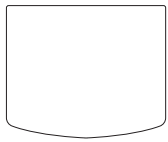
B blue upper dowel



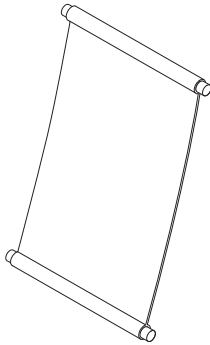
C front cross support



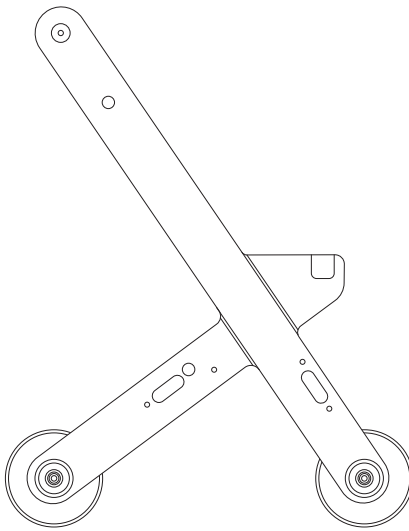
D rear cross support



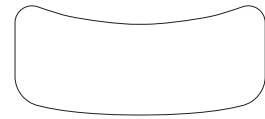
E seat



F fabric seat back

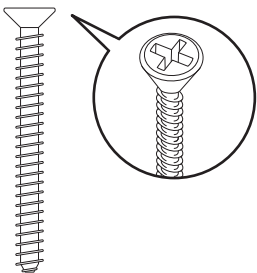


G right side



H tray

HARDWARE (shown actual size)



I screw (10)

IMPORTANT

Be smart—sort your parts!
Be sure you have all required parts BEFORE beginning assembly!



DO NOT use power tools to assemble.
Using power tools will cause product to crack!

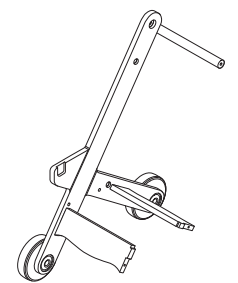
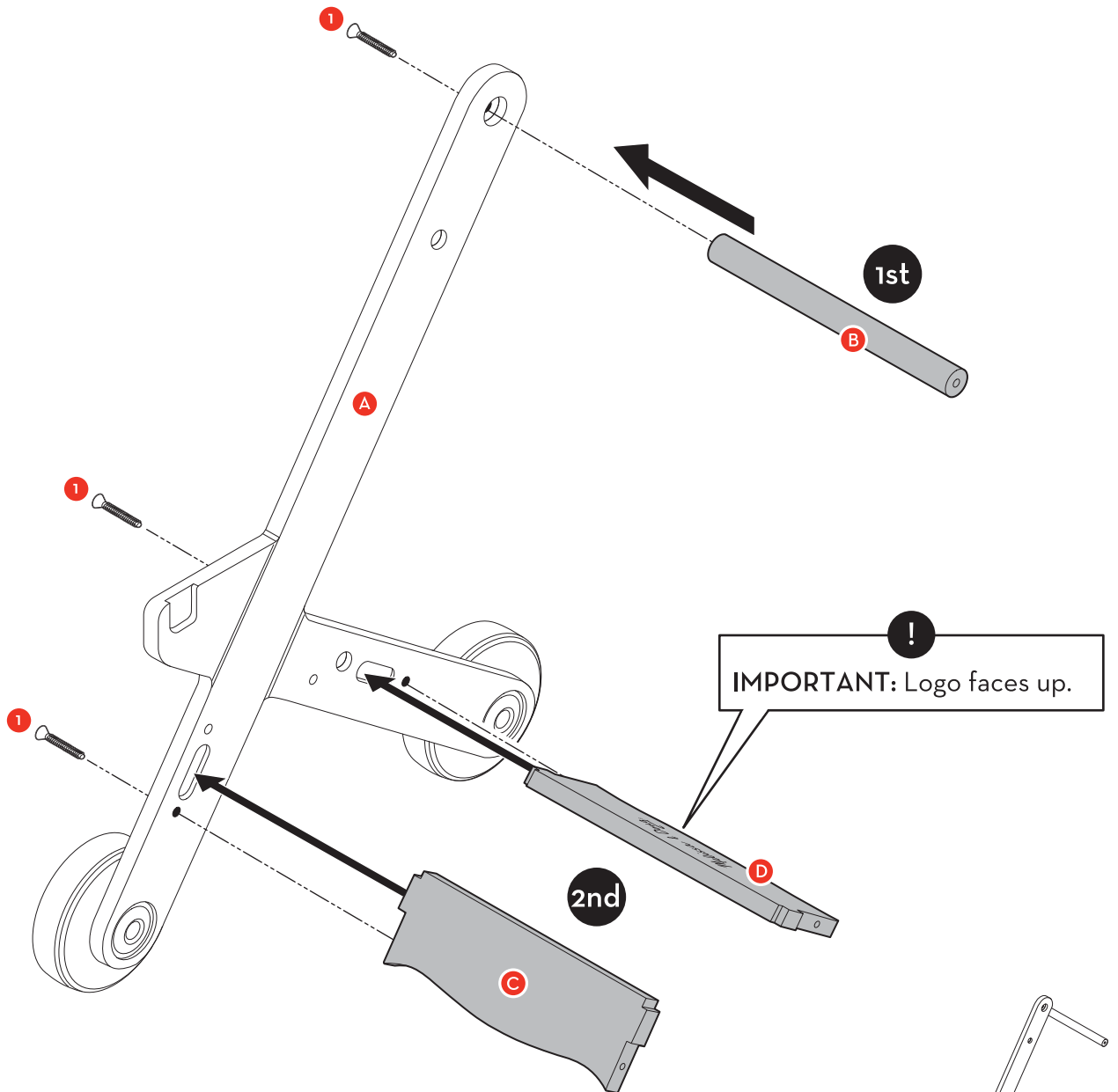


To complete assembly, use hand-held screwdriver to fully tighten all screws until they're snug.

DO NOT OVER-TIGHTEN!
Over-tightening will cause product to crack!

STEP 1 - Every Journey Begins with the First Step

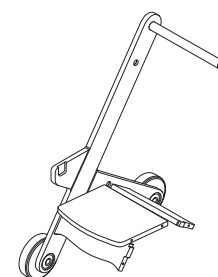
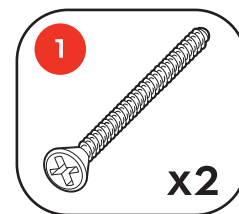
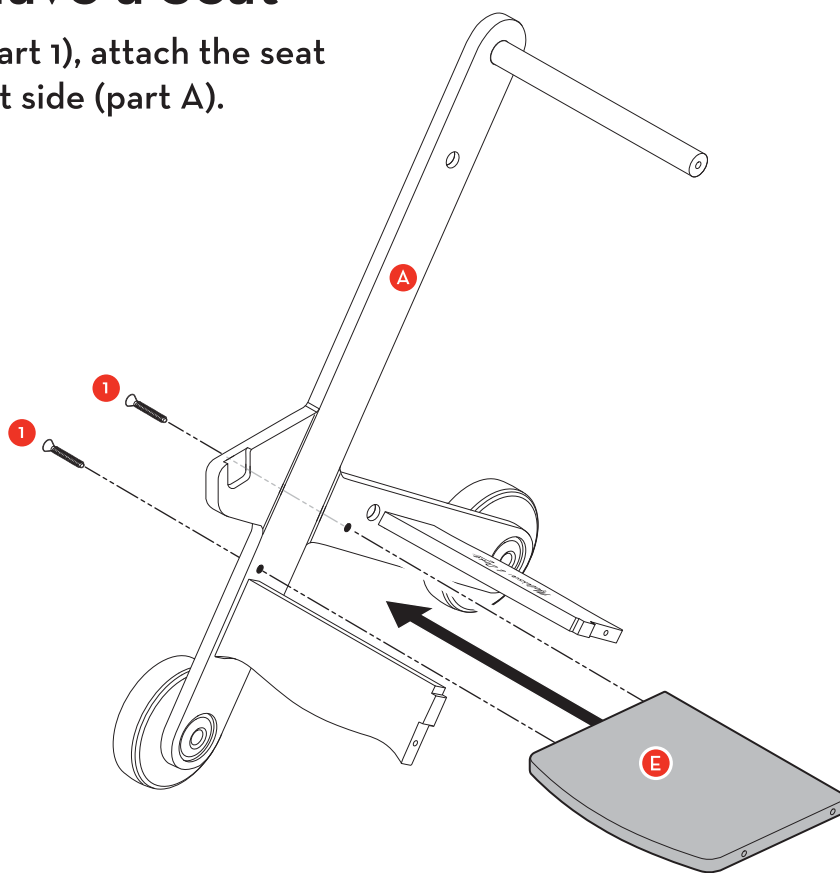
- First, using 1 screw (part 1), attach the blue upper dowel (part B) to the left side (part A)
- Second, using 2 screws (part 1), attach the front cross support (part C) and the rear cross support (part D) to the left side (part A).



Assembled View

STEP 2 - Have a Seat

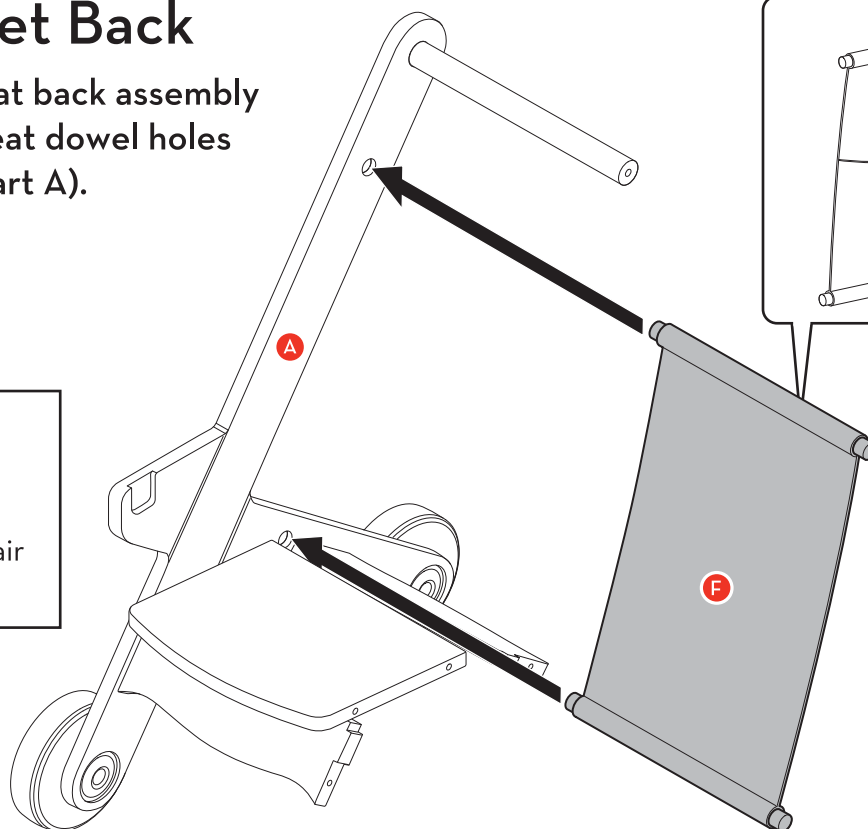
Using 2 screws (part 1), attach the seat (part E) to the left side (part A).



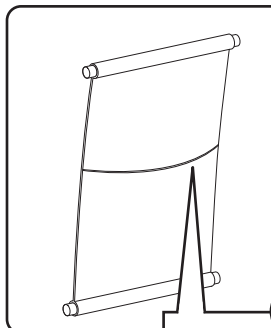
Assembled View

STEP 3 - Get Back

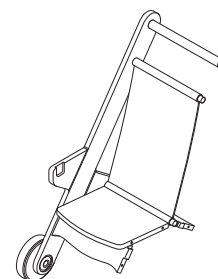
Push the fabric seat back assembly (part F) into the seat dowel holes on the left side (part A).



!
HELPFUL HINT:
Some may find it easier to do this step with the chair on its left side.



!
IMPORTANT:
Pocket on the fabric seat back faces the rear of the stroller.



Assembled View

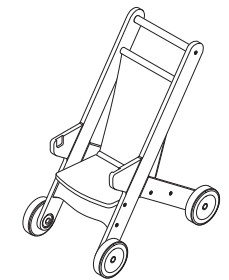
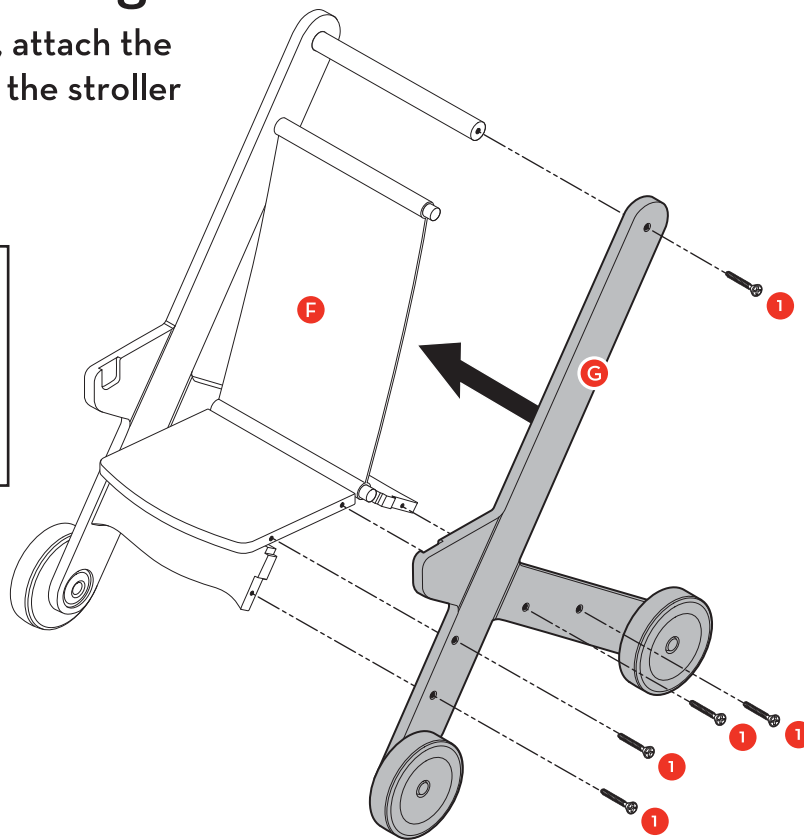
STEP 4 - That's Right

Using 5 screws (part 1), attach the right side (part G) into the stroller assembly.



HELPFUL HINT:

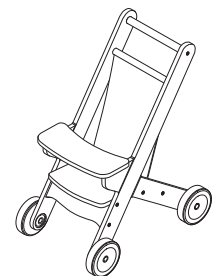
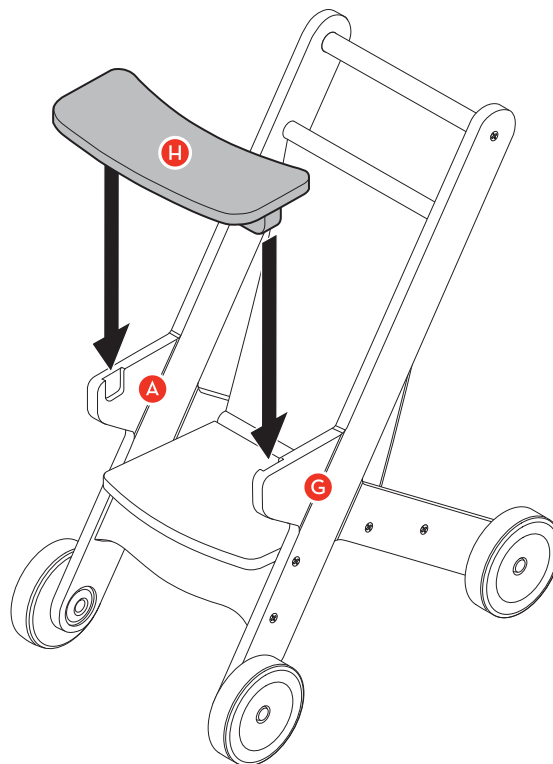
Some may find it easier to do this step with the chair on its left side.



Assembled View

STEP 5 - What Fun—You're Done!

Lower the tray (part H) into the grooves in the left and right sides (parts A and G). (Tray is removable.)



Assembled View

YOU DID IT!

Now the real fun begins—it's time to help favorite dolls and stuffed animals hop in and go for a ride in this cozy and classically styled rolling wooden stroller!

ACCESSORIZE

Dolls up to 20 inches tall fit in the Melissa & Doug Mine to Love® Play Stroller. It's designed to coordinate beautifully with other Melissa & Doug Mine to Love® play furniture, dolls, and doll accessories. To find these items, visit us at MelissaAndDoug.com!

