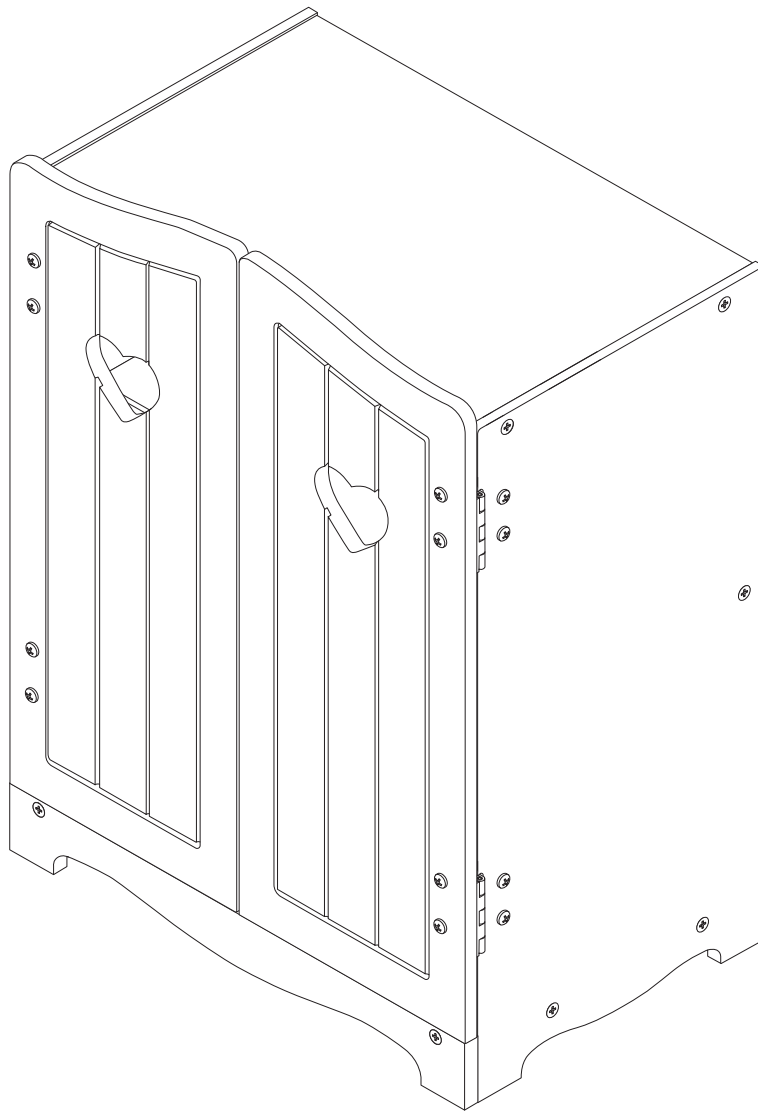




Mine to Love[®] Play Armoire

ASSEMBLY INSTRUCTIONS



Have a question or need help? Give us a call! 1-800-284-3948

Melissa & Doug[®]

We ♥ feedback! Call us: 1-800-284-3948

MelissaAndDoug.com

Item #31723

Ages 3+

Melissa & Doug products meet or exceed all U.S. toy testing standards and pass our high quality requirements.

© 2019 Melissa & Doug, LLC, P.O. Box 590, Westport, CT 06881
MADE IN CHINA

⚠ WARNING:
ADULT ASSEMBLY REQUIRED.
Contains small parts before assembly.



DO NOT use power tools to assemble. Using power tools will cause product to crack!

DO NOT OVER-TIGHTEN! Over-tightening will cause product to crack!

THANK YOU!

Thank you for choosing the Melissa & Doug Mine to Love® Play Armoire! It's a terrific way to help nurture a child's creativity and imagination, and to inspire children to dote on their dolls for years to come.

NOW IT'S TIME TO PUT IT TOGETHER!

Don't worry, assembling your new play armoire is simple, and we're here to help. Here are a few tips before you begin:

- Read through all the instructions first.
- Clear a flat, covered space to lay out all the materials so everything is close at hand.
- You will need a Phillips head screwdriver (not included) to assemble the armoire. We've included everything else you will need. All wooden parts are labeled with a sticker (A-K).
- The instructions include lots of helpful pictures—we show you, step-by-step, how to align pieces and parts for speedy and accurate assembly. Note that the hardware needed for each step is shown in the upper right corner of every section, each piece being added in a given step is highlighted in gray, and the “assembled view” (what it looks like in the completed product when the step is completed) is included in the lower right corner of every section.
- In the instructions, the name of a part is followed by a letter or number in parentheses. This letter corresponds to the sticker on the part, as well as the picture of the part shown on page 2.
- Helpful hints are highlighted with a large exclamation point.



IMPORTANT: Helpful hints are found here.

- If you have any questions, we're here for you! Give our customer care team a call at 1-800-284-3948!
-

WARNINGS!

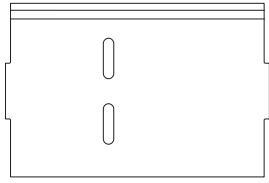
Retain these instructions for future reference.

- Do not allow children to sit or stand on any part of the armoire.
 - Never place computers, televisions, or other heavy objects on top of the armoire.
 - The armoire must be assembled as instructed.
-

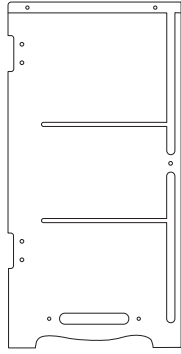
MAINTENANCE:

Ensure the armoire continues to function properly and safely by regularly checking the hardware and tightening when necessary.

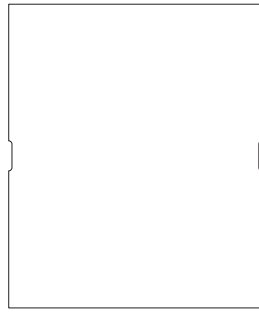
WOODEN PANELS - Be Smart—Sort Your Parts



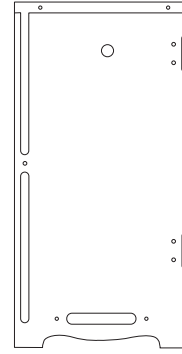
A bottom panel



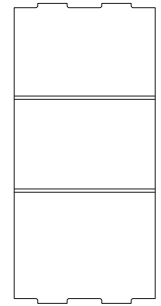
B left side panel



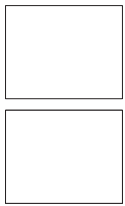
C back panel



D right side panel



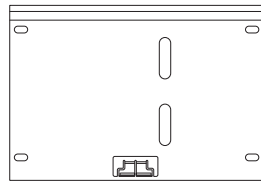
E middle panel



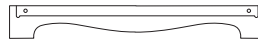
F shelves (2)



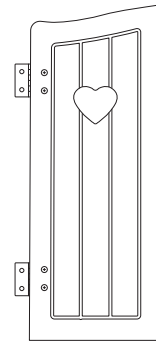
G dowel



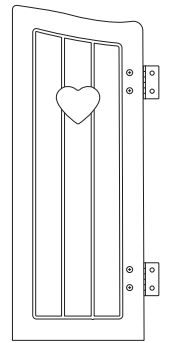
H top panel



I foot panel



J left door



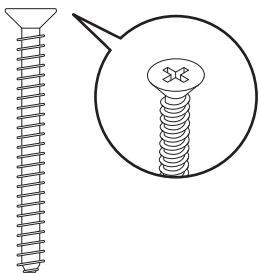
K right door

OTHER PARTS

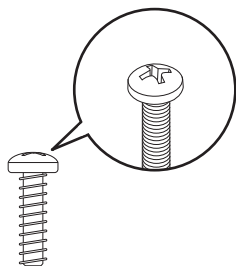


L hanger (3)

HARDWARE (screw and nut shown actual size)



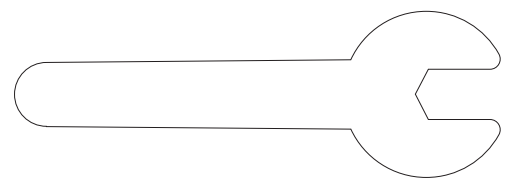
1 screw (12)



2 pan head screw (8)



3 lock nut (8)



4 wrench

IMPORTANT

Be smart—sort your parts!
Be sure you have all required parts BEFORE beginning assembly!



DO NOT use power tools to assemble.
Using power tools will cause product to crack!

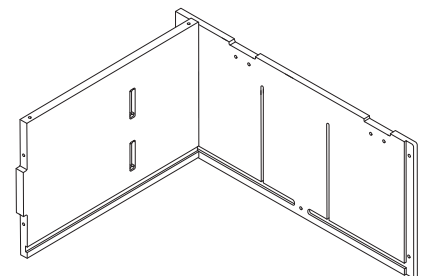
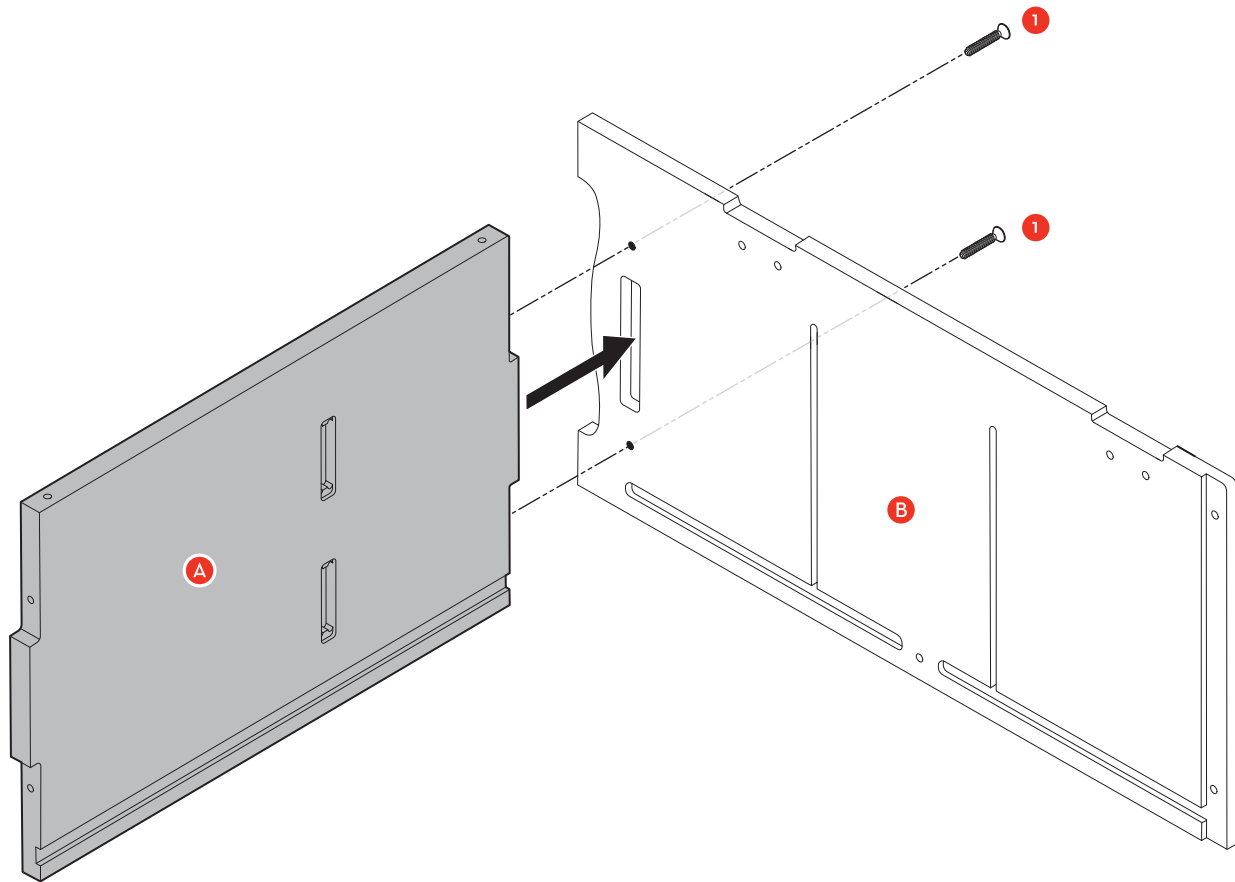
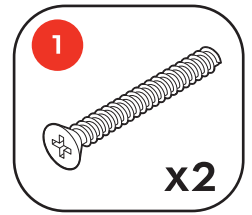


To complete assembly, use hand-held screwdriver to fully tighten all screws until they're snug.

DO NOT OVER-TIGHTEN!
Over-tightening will cause product to crack!

STEP 1 - Every Journey Begins with the First Step

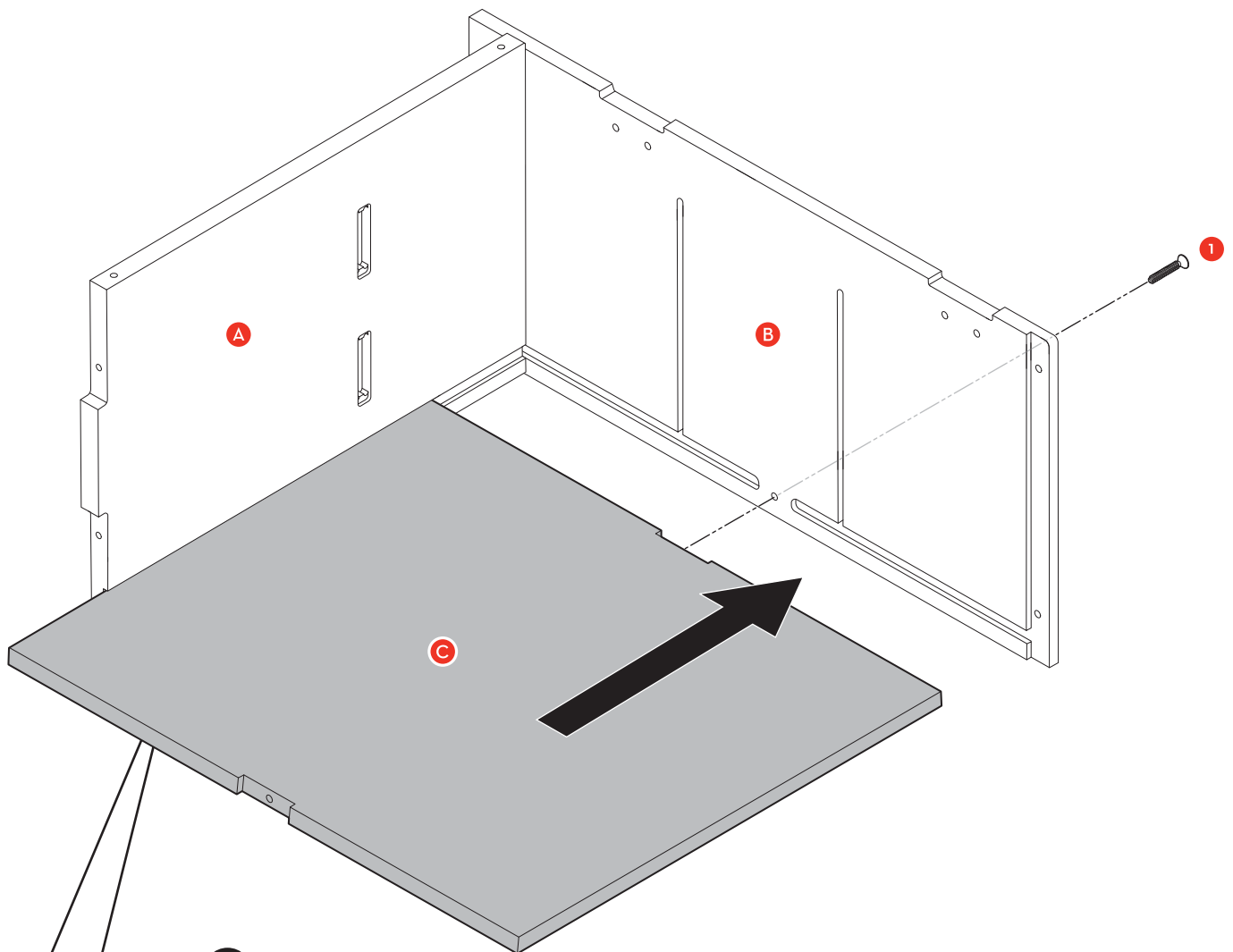
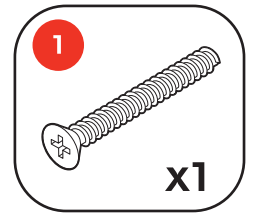
Insert the bottom panel (part A) into the notch in the left side panel (part B). Using 2 screws (part 1), attach the bottom panel to the left side panel.



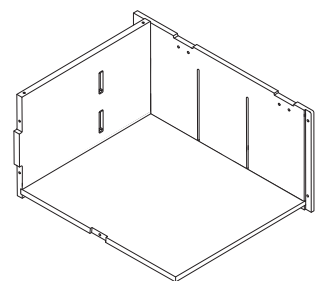
Assembled View

STEP 2 - Feeling Groovy

Slide the back panel (part C) into the groove in the bottom panel (part A). Using 1 screw (part 1), attach the back panel to the left side panel (part B).



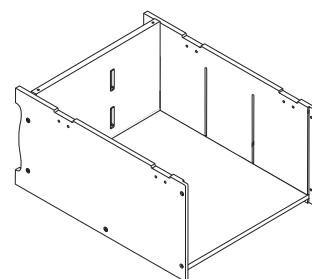
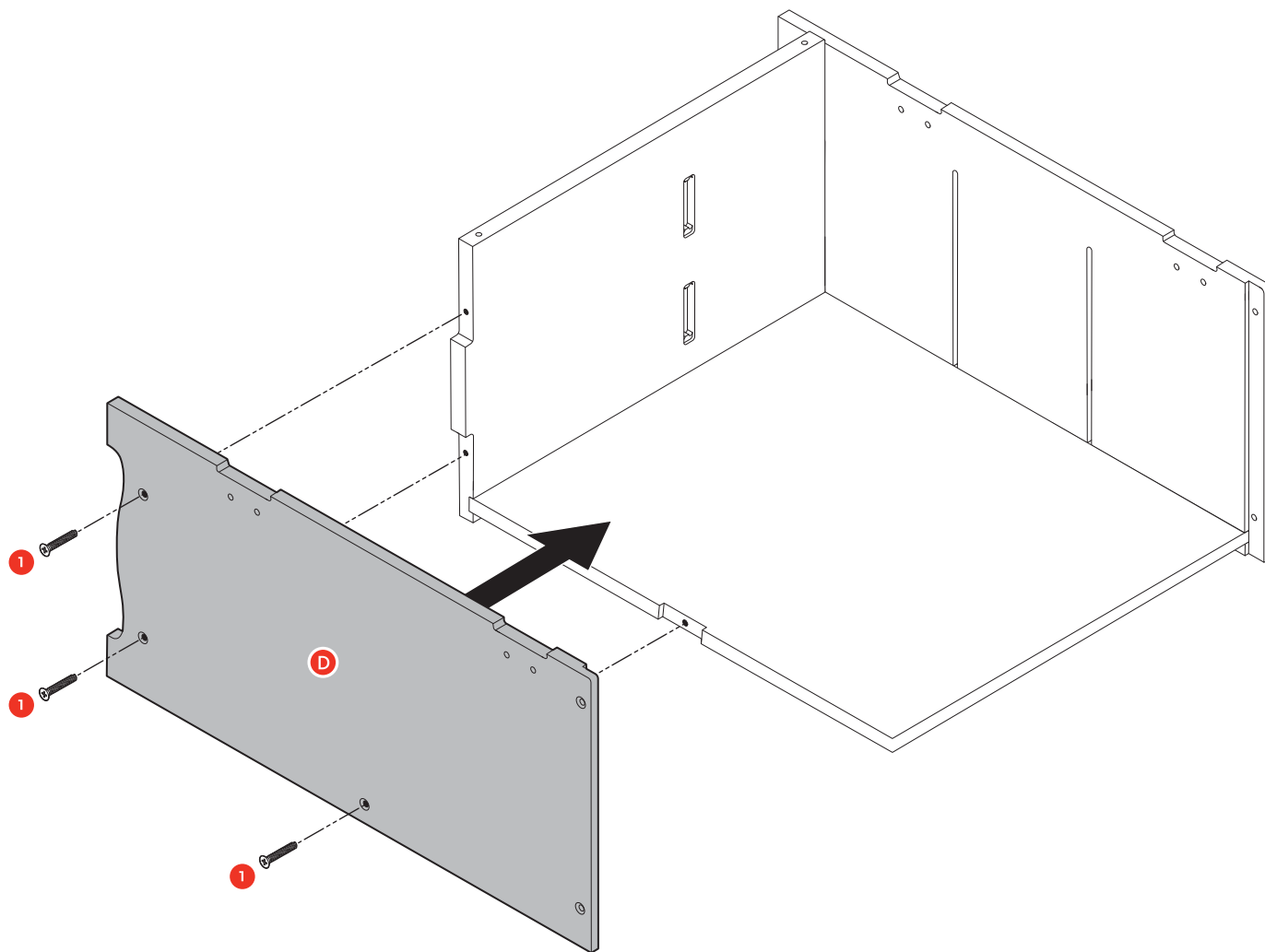
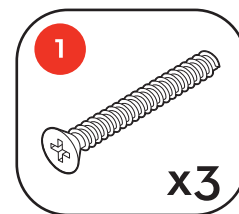
!
IMPORTANT: Logo on underside of back panel (part C) should be near bottom panel (part A).



Assembled View

STEP 3 - That's Right

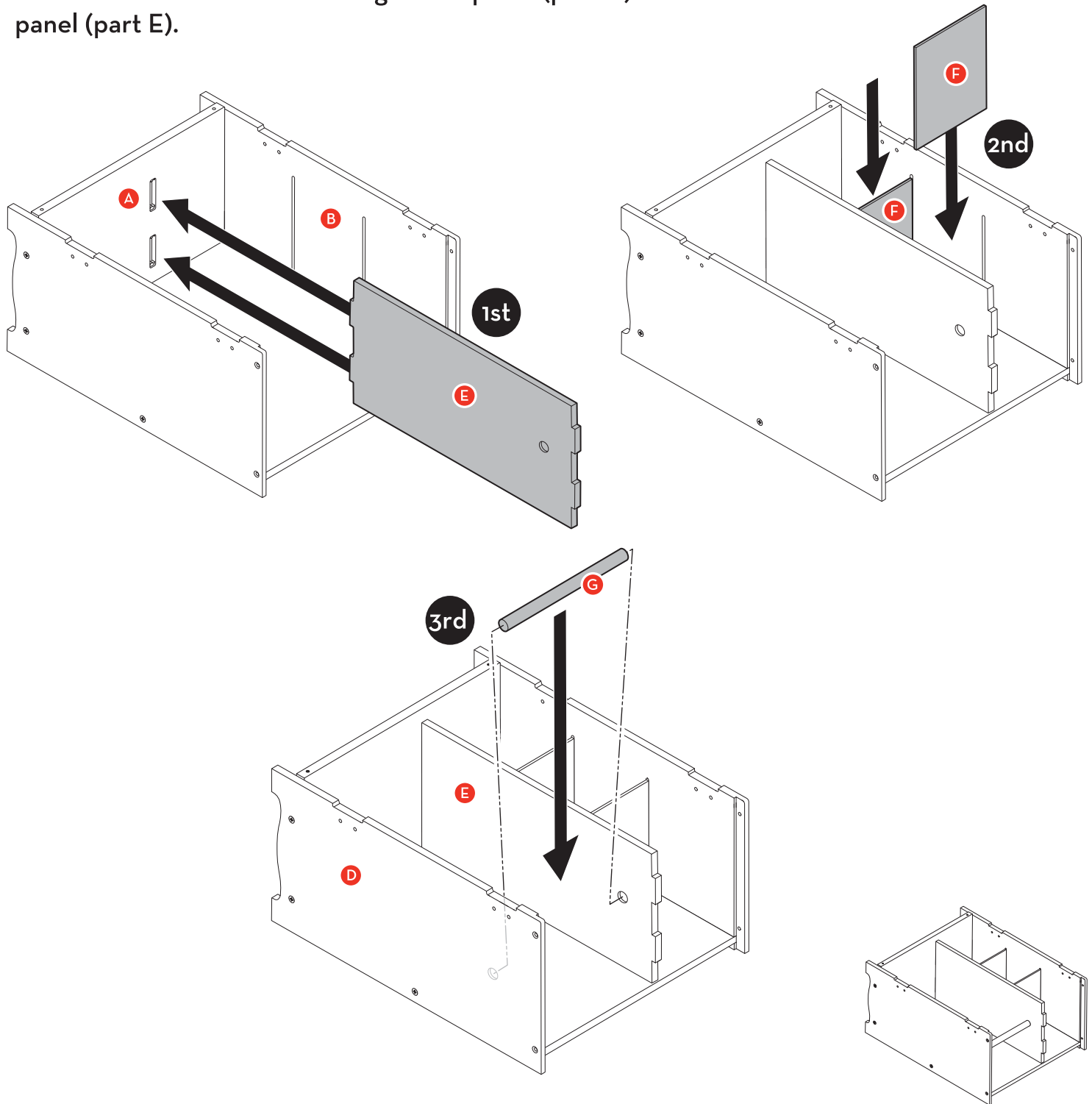
Using 3 screws (part 1), attach the right side panel (part D) to the armoire assembly.



Assembled View

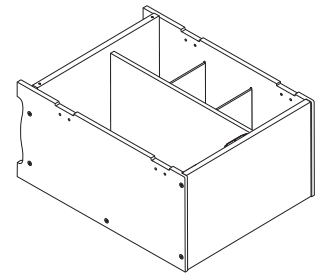
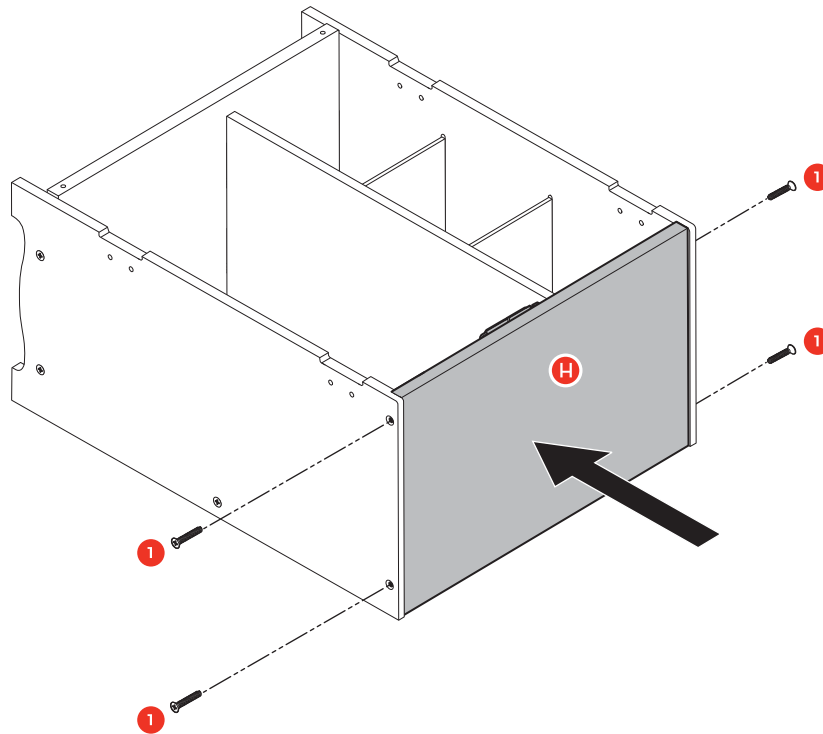
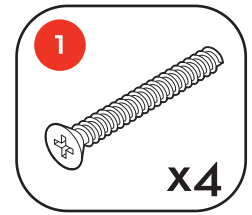
STEP 4 - Do It Your-Shelf

- First, with the groove facing the left side panel (part B), slide the middle panel (part E) into the notches in the bottom panel (part A).
- Second, slide the shelves (part F) into the grooves in the middle panel and the left side panel.
- Third, while holding the middle panel in place, insert the dowel (part G) into the dowel notches in the right side panel (part D) and the middle panel (part E).



STEP 5 - Top It Off

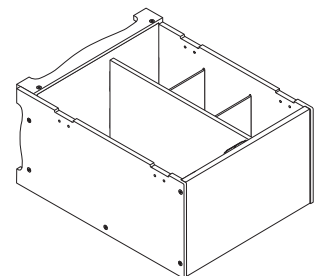
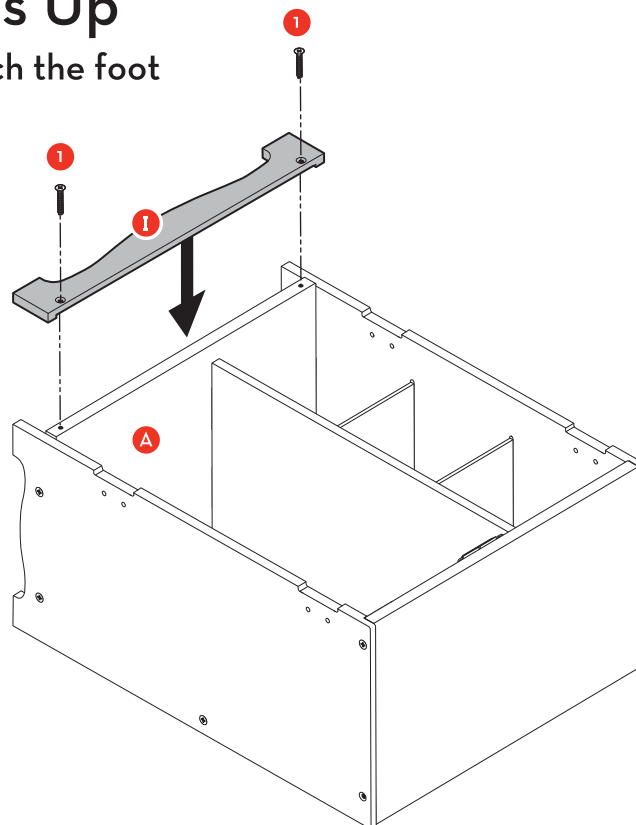
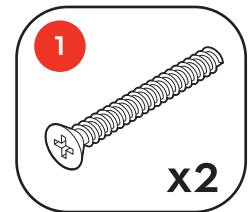
Using 4 screws (part 1), attach the top panel (part H) to the left and right side panels.



Assembled View

STEP 6 - Bottoms Up

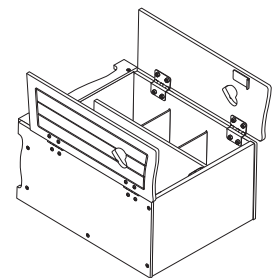
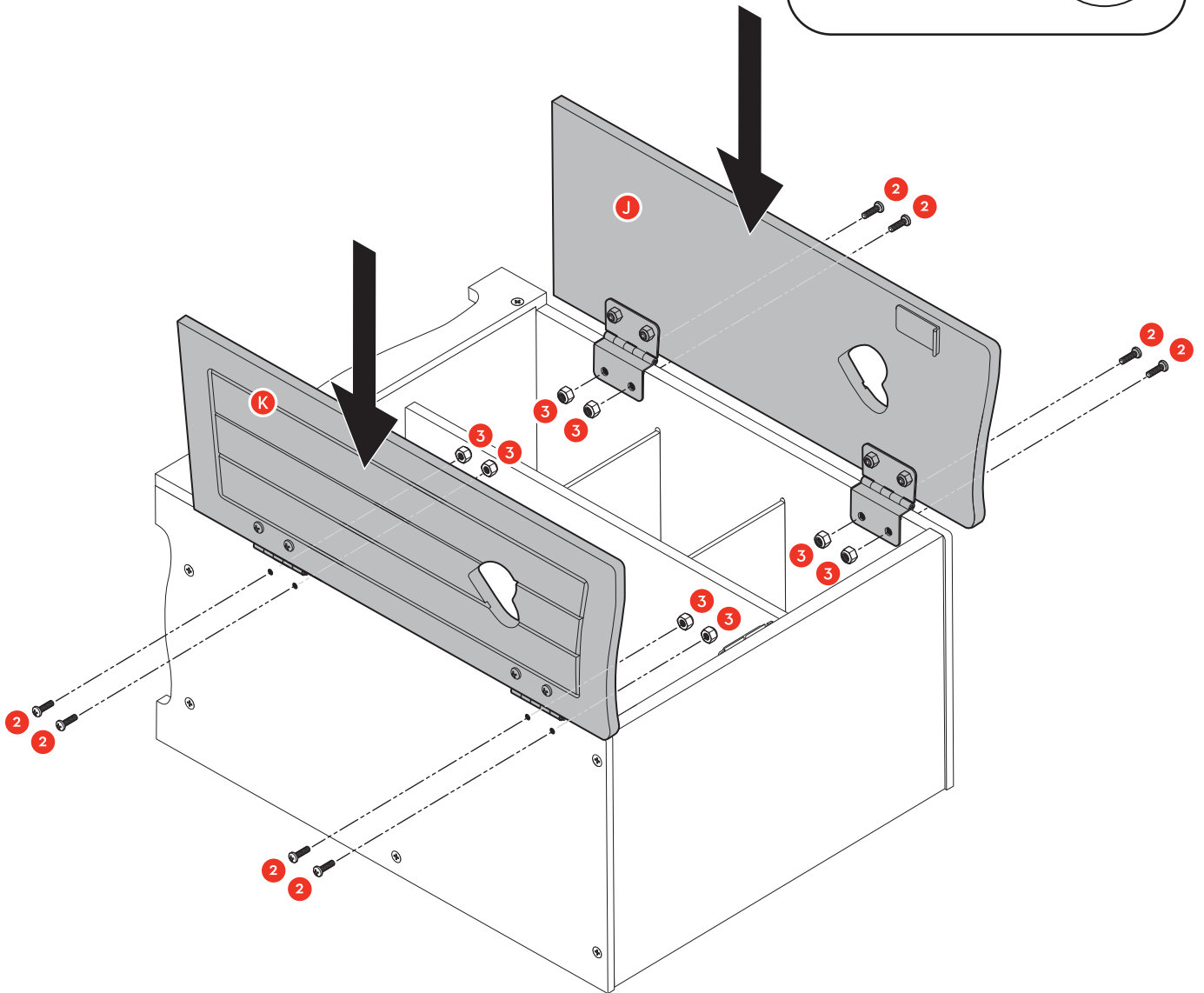
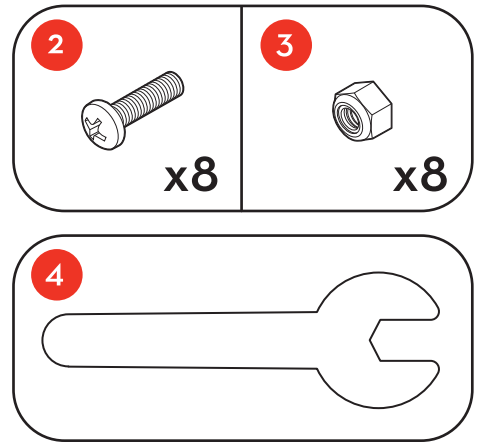
Using 2 screws (part 1), attach the foot panel (part I) to the bottom panel (part A).



Assembled View

STEP 7 - The Doors Add More

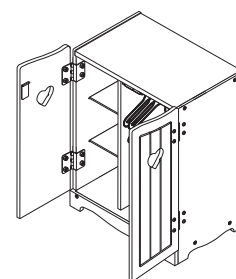
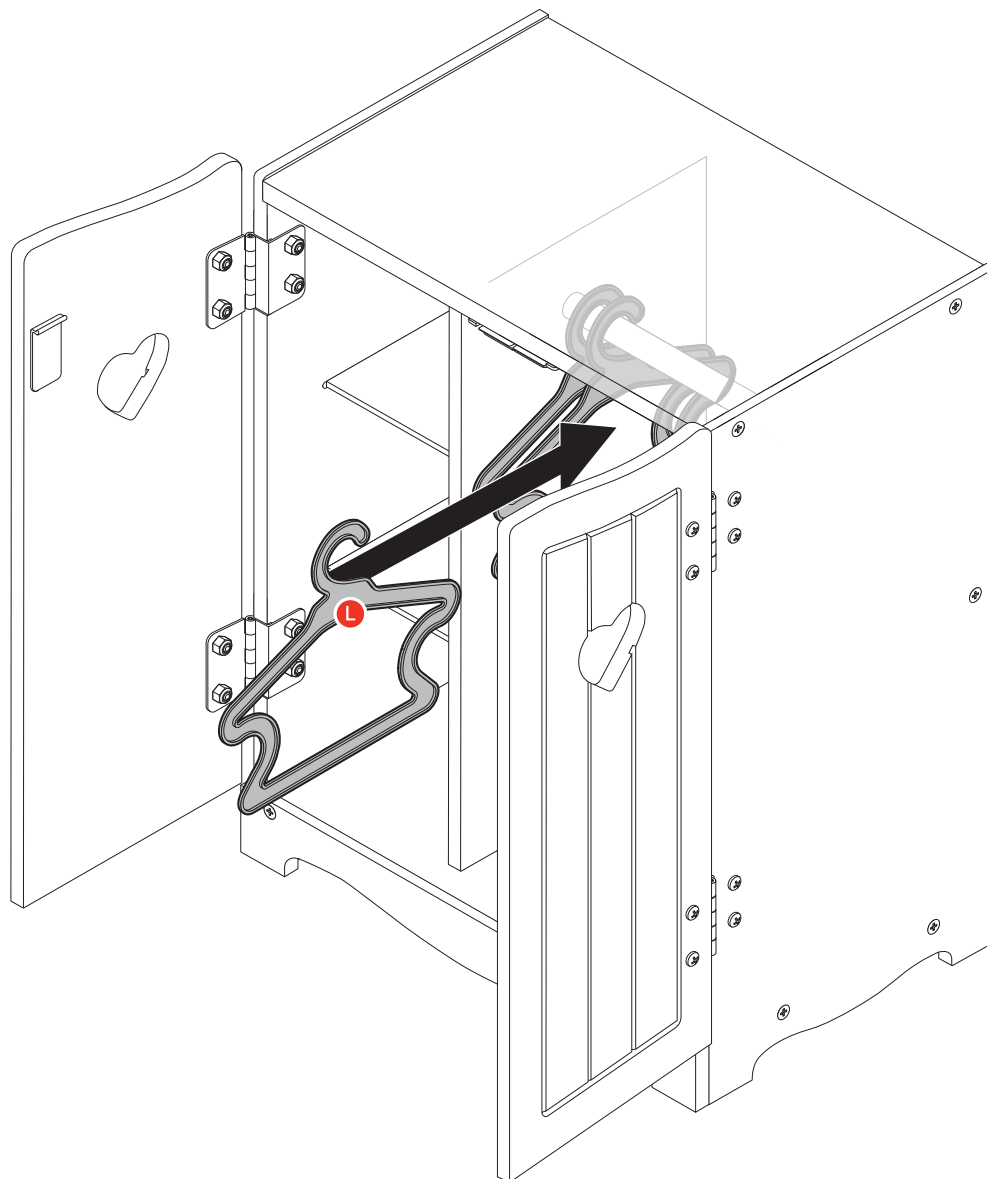
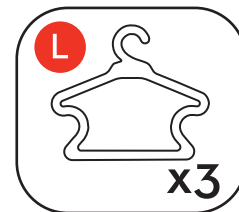
Lower the left and right doors (parts J and K) into the hinge grooves on the fronts of the left and right side panels. Using 8 pan head screws (part 2) and 8 lock nuts (part 3), attach the doors to the left and right side panels. Use the wrench (part 4) to hold the lock nuts while you tighten the screws.



Assembled View

STEP 8 - What Fun, You're Done!

Stand the armoire up. Hang the 3 hangers (part L) on the dowel inside the armoire.



Assembled View

YOU DID IT!

Now the real fun begins—it's time to help favorite dolls and stuffed animals keep their clothes neat and organized with this realistic and classically styled play armoire!

ACCESSORIZE

The Melissa & Doug Play Armoire is the perfect place to hang and store doll clothes! It's designed to coordinate beautifully with other Melissa & Doug Mine to Love® play furniture, dolls, and doll accessories. To find these items and more, visit us at MelissaAndDoug.com!

