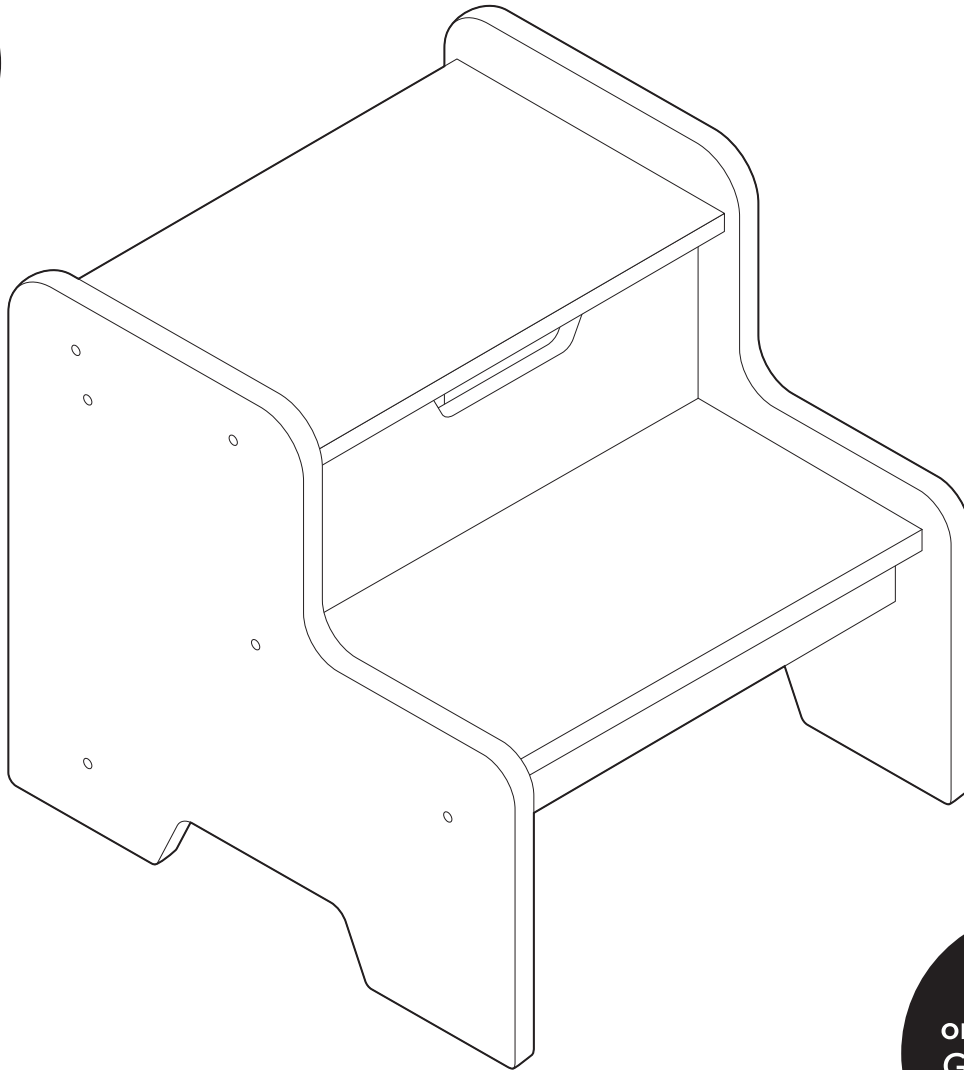




Step Stool

ASSEMBLY INSTRUCTIONS

Put Together in 5 Steps!



Have a question or need help? Give us a call! 1-800-284-3948

THANK YOU!

Thank you for choosing the Melissa & Doug Step Stool! This sturdy stool is perfect for playrooms or bedrooms, and is the perfect way to give kids a “leg up”!

NOW IT’S TIME TO PUT IT TOGETHER!

Don’t worry, assembling your new step stool is simple, and we’re here to help. Here are a few tips before you begin:

- Read through all the instructions first.
- Clear a flat, covered space (carpeted is best) to lay out all the materials so everything is close at hand.
- You will need a Phillips head screwdriver (not included) to assemble the step stool. **A POWER SCREWDRIVER IS NOT RECOMMENDED.** We’ve included everything else you will need. All parts are labeled with a sticker (A-F; 1-4).
- The instructions include lots of helpful pictures—we show you, step-by-step, how to align pieces and parts for speedy and accurate assembly. Note that the hardware needed for each step is shown in the upper right corner of the page, each piece being added in a given step is highlighted in gray, and the “assembled view” (what it looks like in the completed product when the step is completed) is included in the lower right corner of every page.
- In the instructions, the name of a part is followed by a letter or number in parentheses. This letter or number corresponds to the sticker on the part, as well as the picture of the part shown on page 2.
- Helpful hints are highlighted with a large exclamation point.



IMPORTANT: Helpful hints are found here.

- If you have any questions, we’re here for you! Give our customer care team a call at 1-800-284-3948!
-

WARNINGS!

Retain these instructions for future reference.

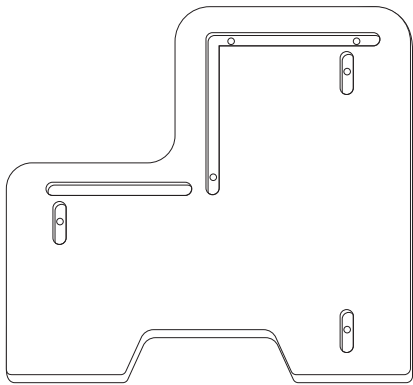
- The step stool must be placed on a hard, flat, level, dry, non-slippery surface.
 - Never place computers, televisions, or other heavy objects on top of the step stool.
 - The step stool must be assembled as instructed.
 - Do not place step stool in standing water. Avoid damp conditions. If stool gets wet, wipe dry to prevent damage.
 - Maximum load: 100 lbs. (45.3 kg)
 - For information on how to prevent furniture tip overs in your home, visit AnchorIt.gov.
-

MAINTENANCE:

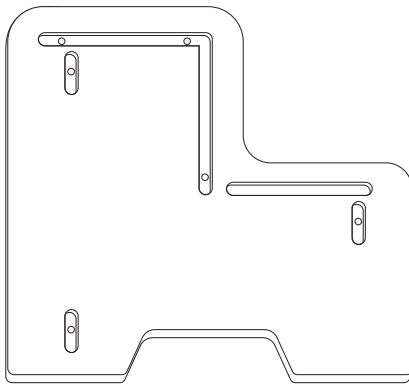
Ensure the step stool continues to function properly and safely by regularly checking the hardware and tightening when necessary.

PARTS - Be Smart—Sort Your Parts

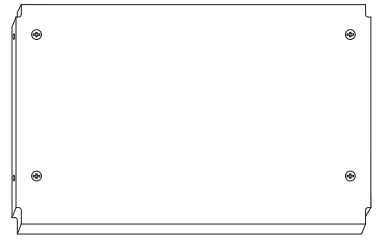
Before you begin assembly, make sure you have all the parts listed below. Use a Phillips head screwdriver to attach the screws and align the barrel nuts.



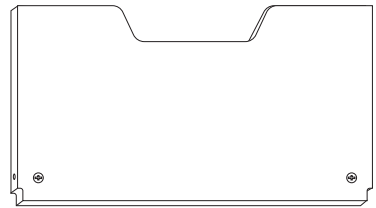
A left leg



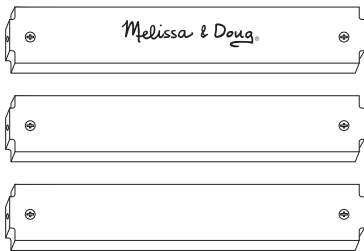
B right leg



C top step



D riser



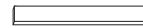
E brace (3)



F bottom step



1 screw (12)



2 foot pad (4)



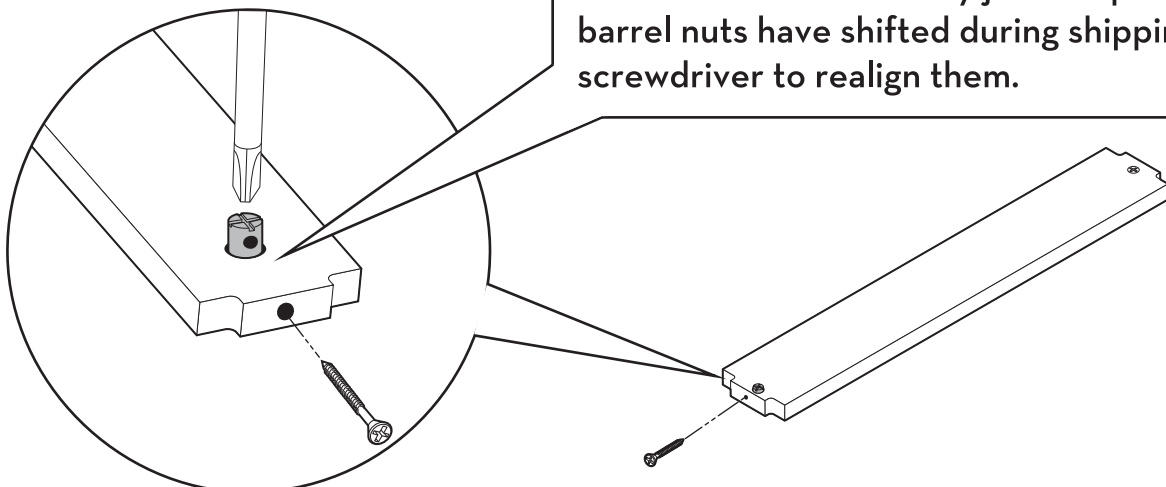
3 barrel nut (5 extras)

Helpful Hints and Tips

- Note: Some packages of hardware may have extra pieces.
- You will need a Phillips head screwdriver to assemble the stool.

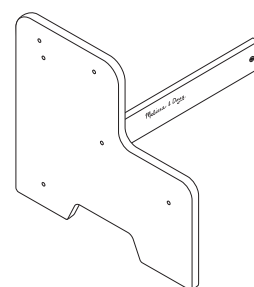
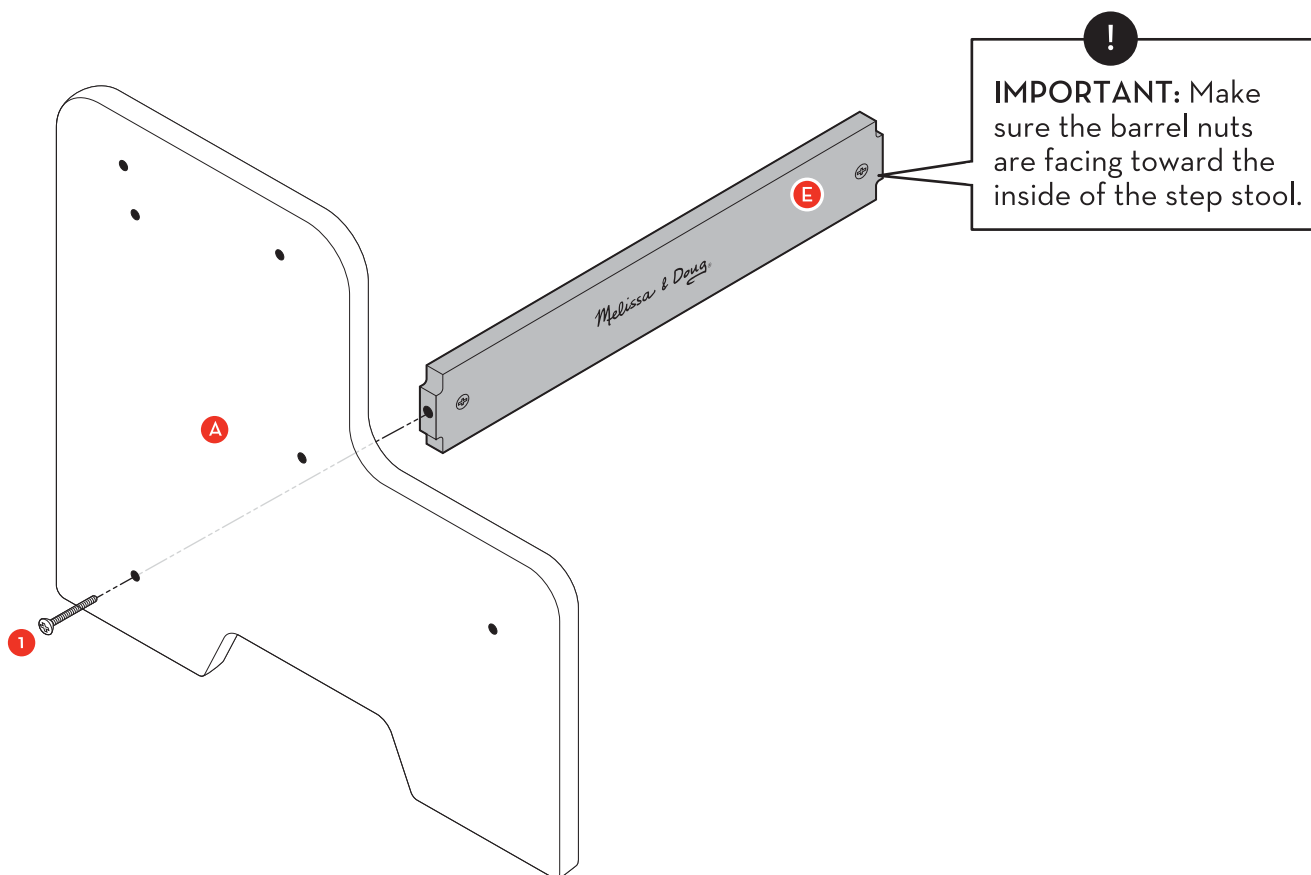
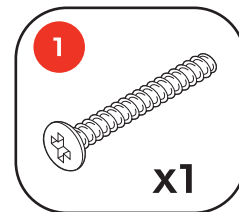


IMPORTANT: Barrel nuts and screws are used to join the main wood panels together. The barrel nuts have been properly aligned at the factory to allow the screws to easily join the panels. If any barrel nuts have shifted during shipping, use a screwdriver to realign them.



STEP 1 - Every Journey Begins with the First Step

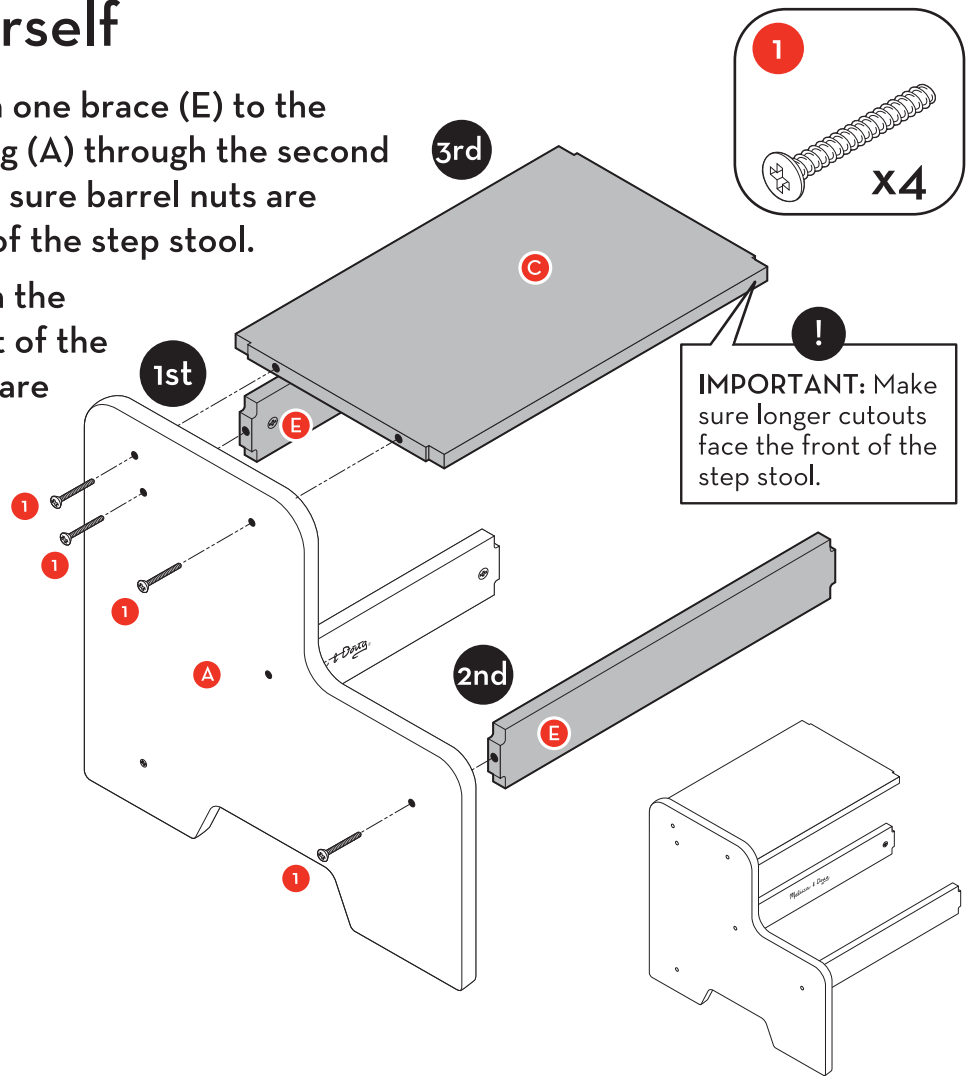
- Using one screw (1), attach the brace (E) with Melissa & Doug logo to the lower back corner of the left leg (A). Be sure the logo is facing the front of the step stool as shown.



Assembled View

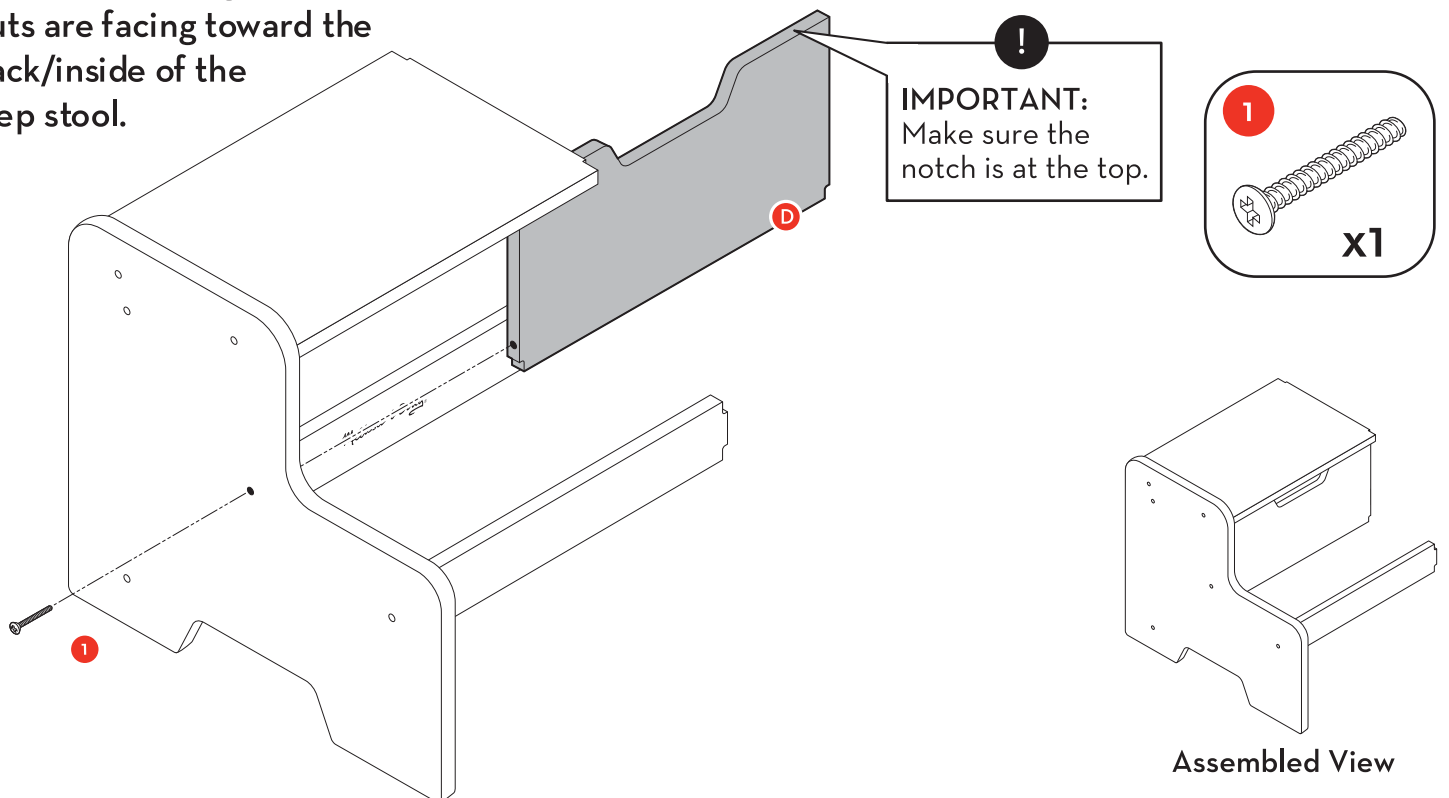
STEP 2 - Brace Yourself

- First, using one screw (1), attach one brace (E) to the upper back corner of the left leg (A) through the second hole from the top of the leg. Be sure barrel nuts are facing toward the front/inside of the step stool.
- Second, using one screw, attach the remaining brace (E) to the front of the left leg (A). Be sure barrel nuts are facing toward the back/inside of the step stool.
- Third, using two screws, attach the top step (C) to the left leg. Be sure longer cutouts on the top step face the front of the step stool.



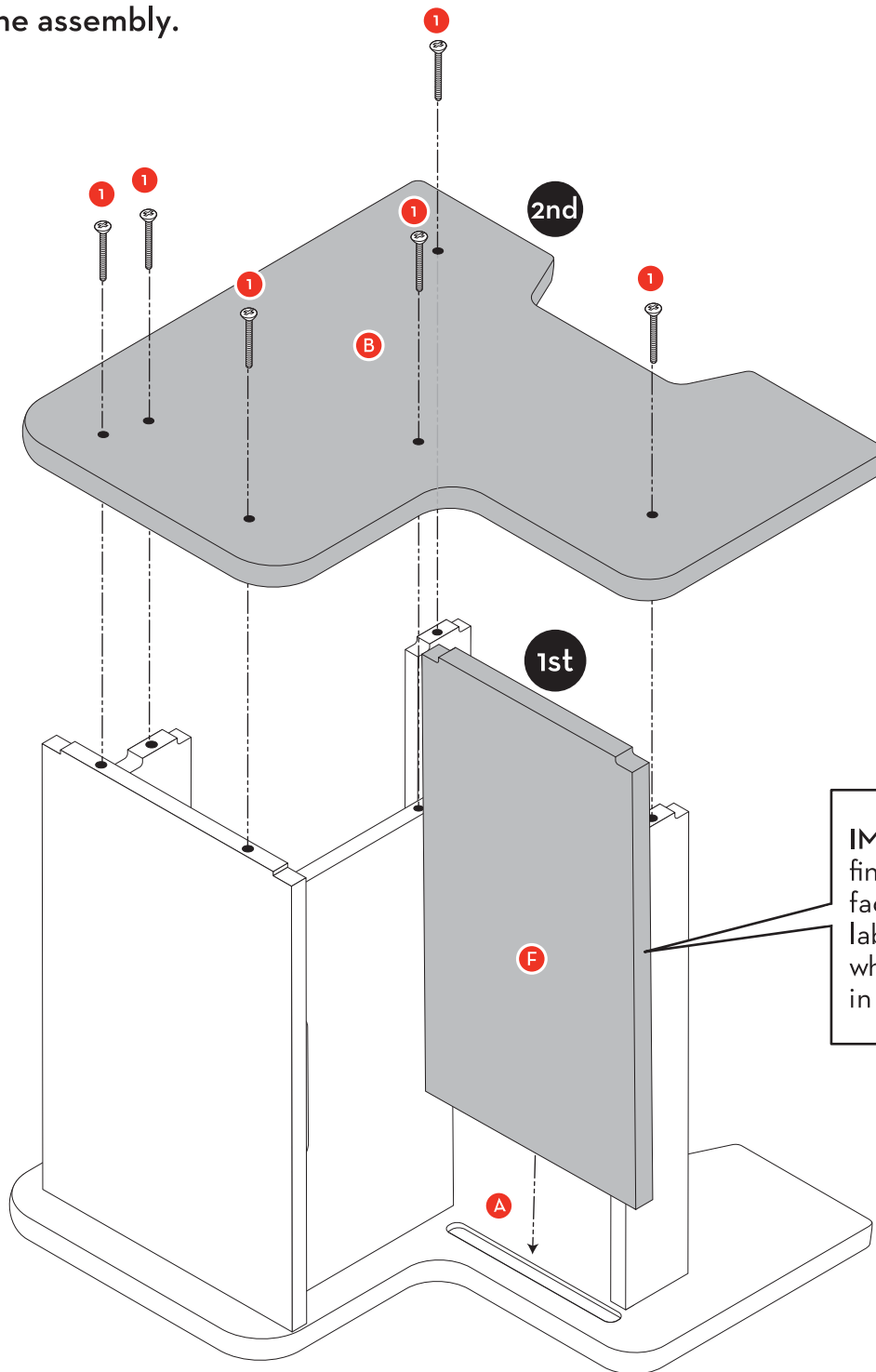
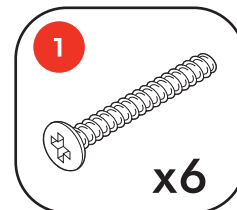
STEP 3 - Rise Up

Using one screw (1), attach the riser (D) to the left leg. Be sure barrel nuts are facing toward the back/inside of the step stool.

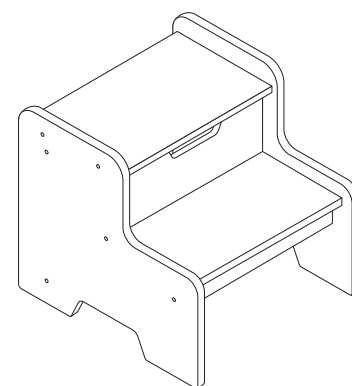


STEP 4 - Groovy

- First rotate step stool onto its side. Then align the bottom step (F) with the grooves in left leg (A) and right leg (B). Push firmly to fully engage the step into the grooves.
- Second, using six screws (1), attach the right leg (B) to the rest of the assembly.

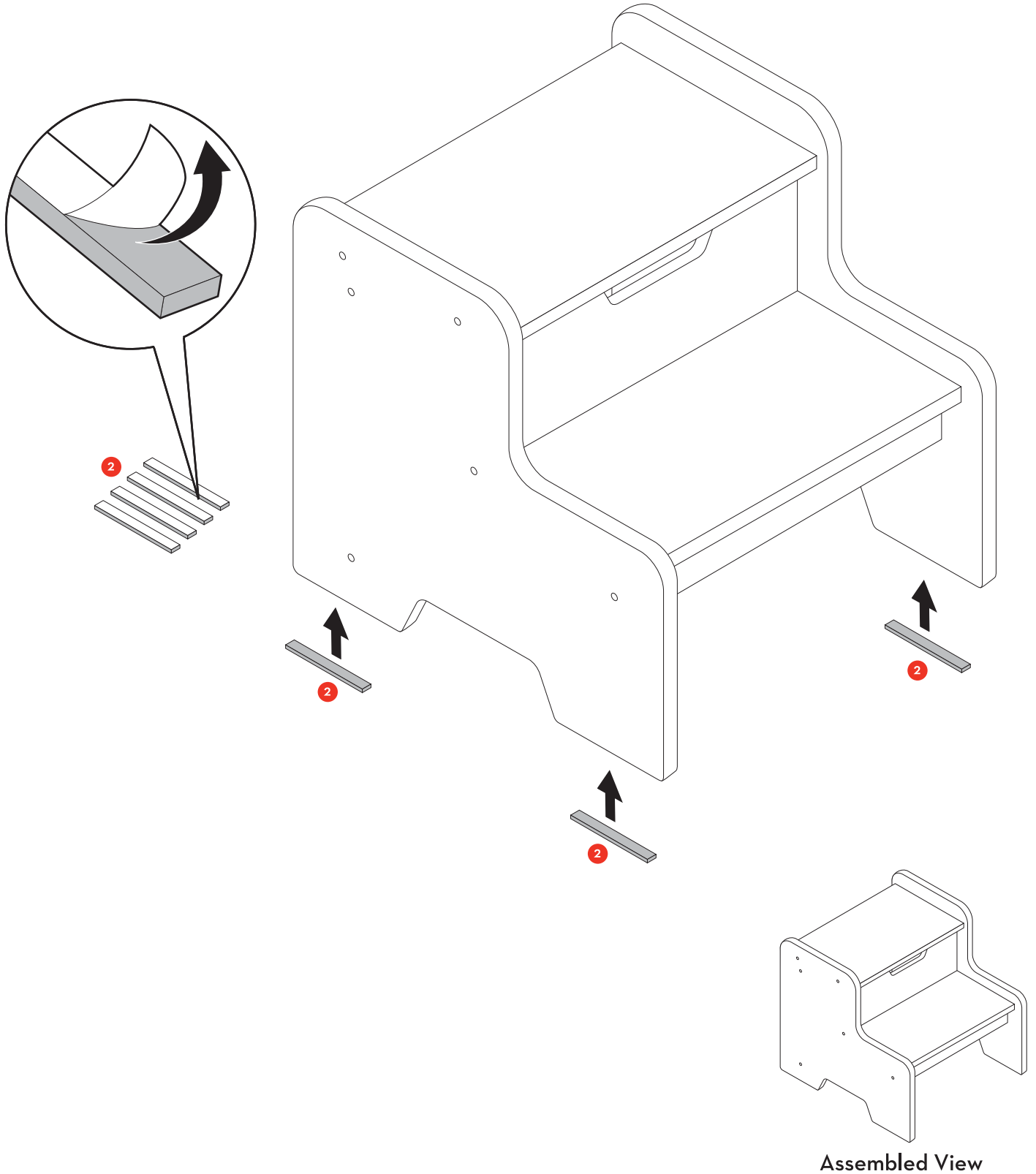


IMPORTANT: Make sure the finished edge of bottom step faces out and the permanent label faces toward the floor when the step stool is placed in its final position.



STEP 5 - What Fun, You're Done!

Peel the protective paper from the four foot pads (2) and adhere one pad to the bottom of each leg.



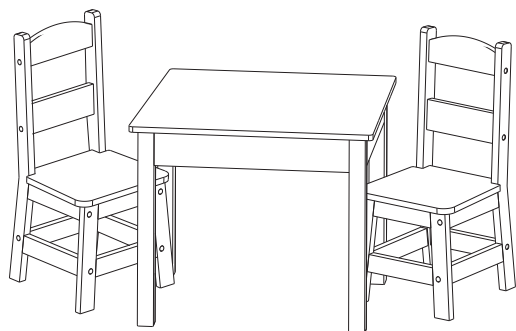
YOU DID IT!

Now the real fun begins—it's time to step up to a good time! Here are some suggested uses:

- **IN THE PLAYROOM:** Use as a seat for kids, stuffed animals, or dolls, or a handy way to reach toys, books, and more!
- **IN THE BEDROOM:** Getting in and out of big kid beds is easier with a step stool!
- **IN THE BATHROOM:** Tuck the step stool near the sink then pull it out when it's time to brush teeth and wash hands!
- **IN THE KITCHEN:** Little chefs will love helping out at mealtimes when they can reach the counter!

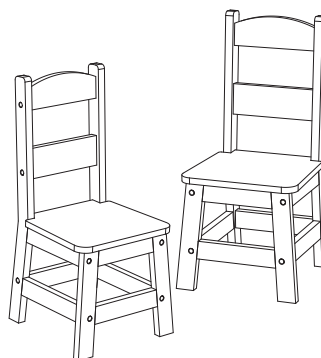
ACCESSORIZE

Melissa & Doug offers a full line of quality furniture that coordinates with your step stool! Visit us at MelissaAndDoug.com!



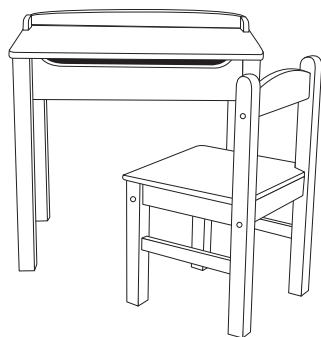
WOODEN TABLE & CHAIRS

Natural #2427
White #30225
Espresso #30226



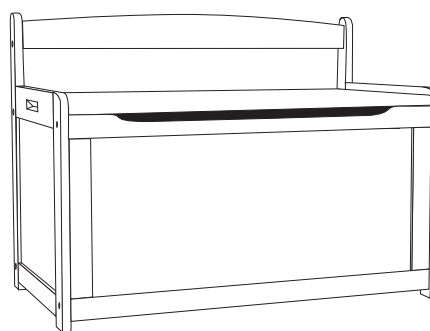
WOODEN CHAIR PAIR

Natural #8789
White #30220
Espresso #30221



WOODEN LIFT-TOP DESK & CHAIR

Honey #30230
White #30231
Espresso # 30232



WOODEN TOY CHEST

Honey #30227
White #30228
Espresso #30229

