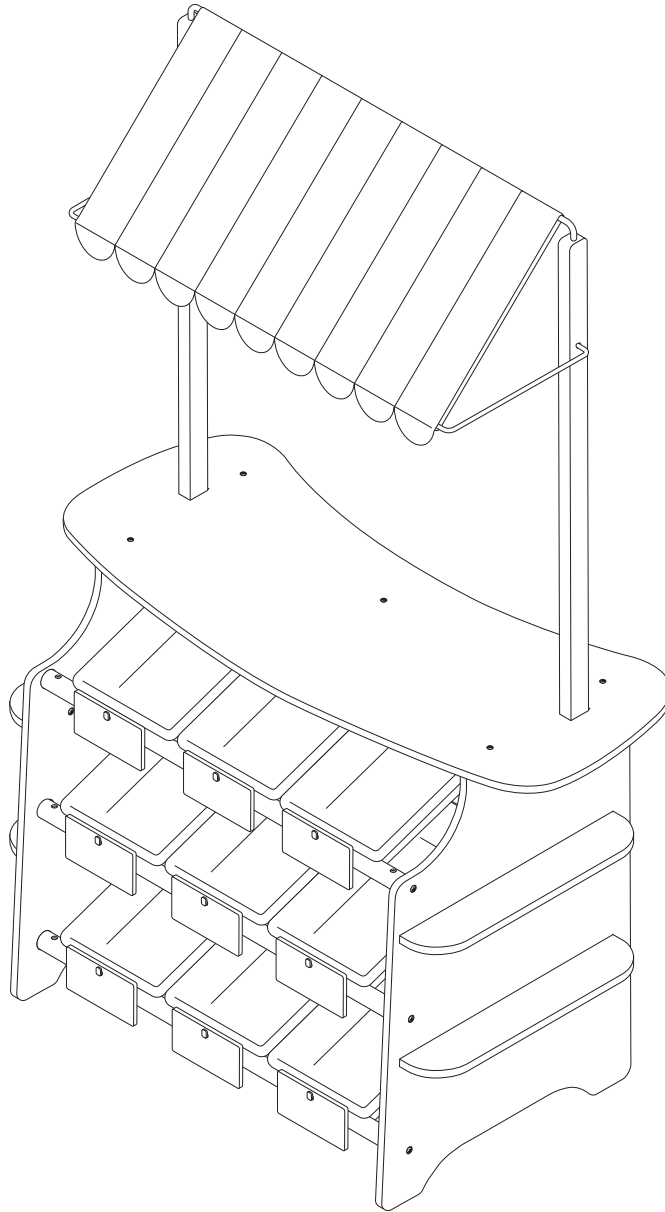




# Grocery Store Lemonade Stand

## ASSEMBLY INSTRUCTIONS

Put  
Together  
in 10 Steps!



Have a  
question  
or need help?  
Give us a call!  
1-800-284-3948

Item #4070

We care about your comments. Please call us!

**Melissa & Doug**  
1-800-284-3948  
www.MelissaAndDoug.com

Melissa & Doug products meet or exceed U.S. testing standards and pass our high quality requirements.

© Melissa & Doug, LLC, P.O. Box 590, Westport, CT 06881  
MADE IN CHINA

**WARNING:**  
CHOKING HAZARD - Small Parts.  
Not for children under 3 years.

**CAUTION:**  
ADULT ASSEMBLY REQUIRED.

Ages 3+

# THANK YOU!

Thank you for choosing the Melissa & Doug Grocery Store/Lemonade Stand! It's a terrific way to help nourish a child's creativity and imagination, and to inspire delicious pretend play for years to come.

---

## NOW IT'S TIME TO PUT IT TOGETHER!

Don't worry, assembling your new Grocery Store/Lemonade Stand is simple, and we're here to help. It may go a little faster with a partner to lend a hand, but we've made it so one person can assemble the store. Here are a few tips before you begin:

- Read through all the instructions first.
- Clear a flat, covered space (carpeted is best) to lay out all the materials so everything is close at hand.
- You will need a Phillips head screwdriver to assemble the stand.
- The instructions include lots of helpful pictures—we show you, step-by-step, exactly how to align pieces and parts for speedy and accurate assembly. Note that hardware needed for each step is shown in the upper right corner of the page, each piece being added in a given step is highlighted in gray, and the “assembled view” (what it looks like when the step is completed) is included in the lower right corner of every page.
- In the instructions, the name of a part is followed by a letter in parentheses. This letter corresponds to the sticker on the part, as well as the picture of the part shown on page 2.
- Helpful hints are highlighted with a large exclamation point.



**IMPORTANT:** Helpful hints are found here.

- If you have any questions, we're here for you! Give our customer service team a call at 1-800-284-3948!
- 

## WARNINGS!

Retain these instructions for future reference.

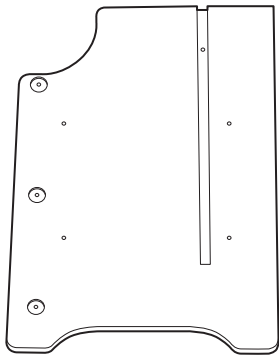
Warning: Prevent Tip Overs!

- Do not allow children to pull, climb, sit or stand on any part of the stand.
  - Never place computers, televisions or other heavy objects on top of the stand.
  - The stand must be placed on a hard, flat, and level surface.
  - For more information on how to prevent furniture tip overs in your home visit [AnchorIt.gov](http://AnchorIt.gov).
  - The stand must be assembled as instructed.
- 

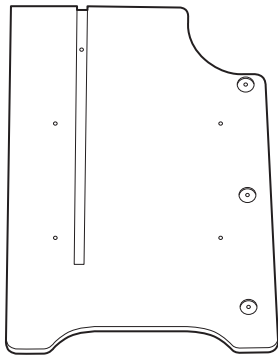
## MAINTENANCE:

Ensure the stand continues to function properly and safely by regularly checking the hardware and tightening when necessary.

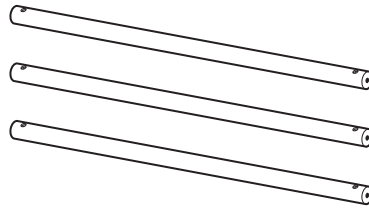
# PARTS - Be Smart—Sort Your Parts



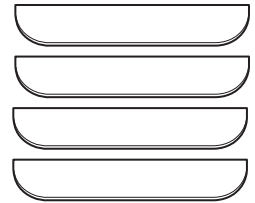
**A** left side panel



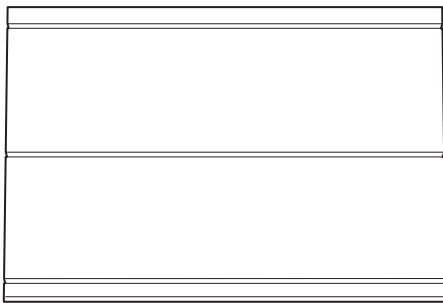
**B** right side panel



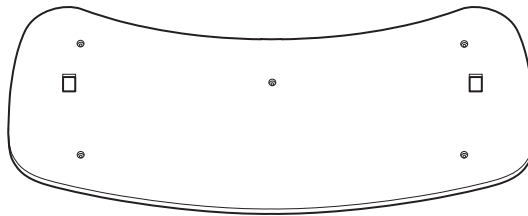
**C** dowels (3)



**D** side shelves (4)



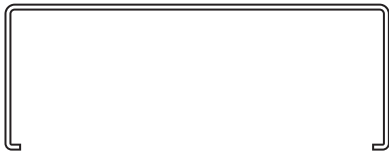
**E** back panel



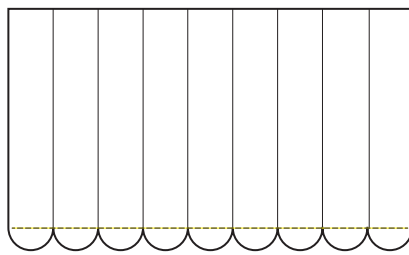
**F** counter top



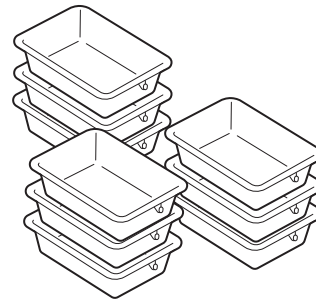
**G** awning supports



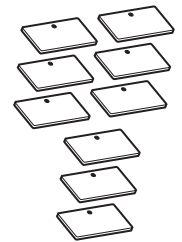
**H** large awning wire



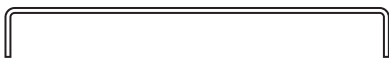
**J** double-sided awning



**K** plastic bins (9)

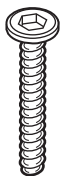


**L** chalkboards (9)



**I** small awning wire

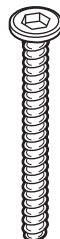
## HARDWARE



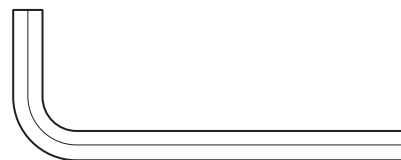
**M** short bolt (11)



**N** barrel nut (21)



**O** long bolt (10)

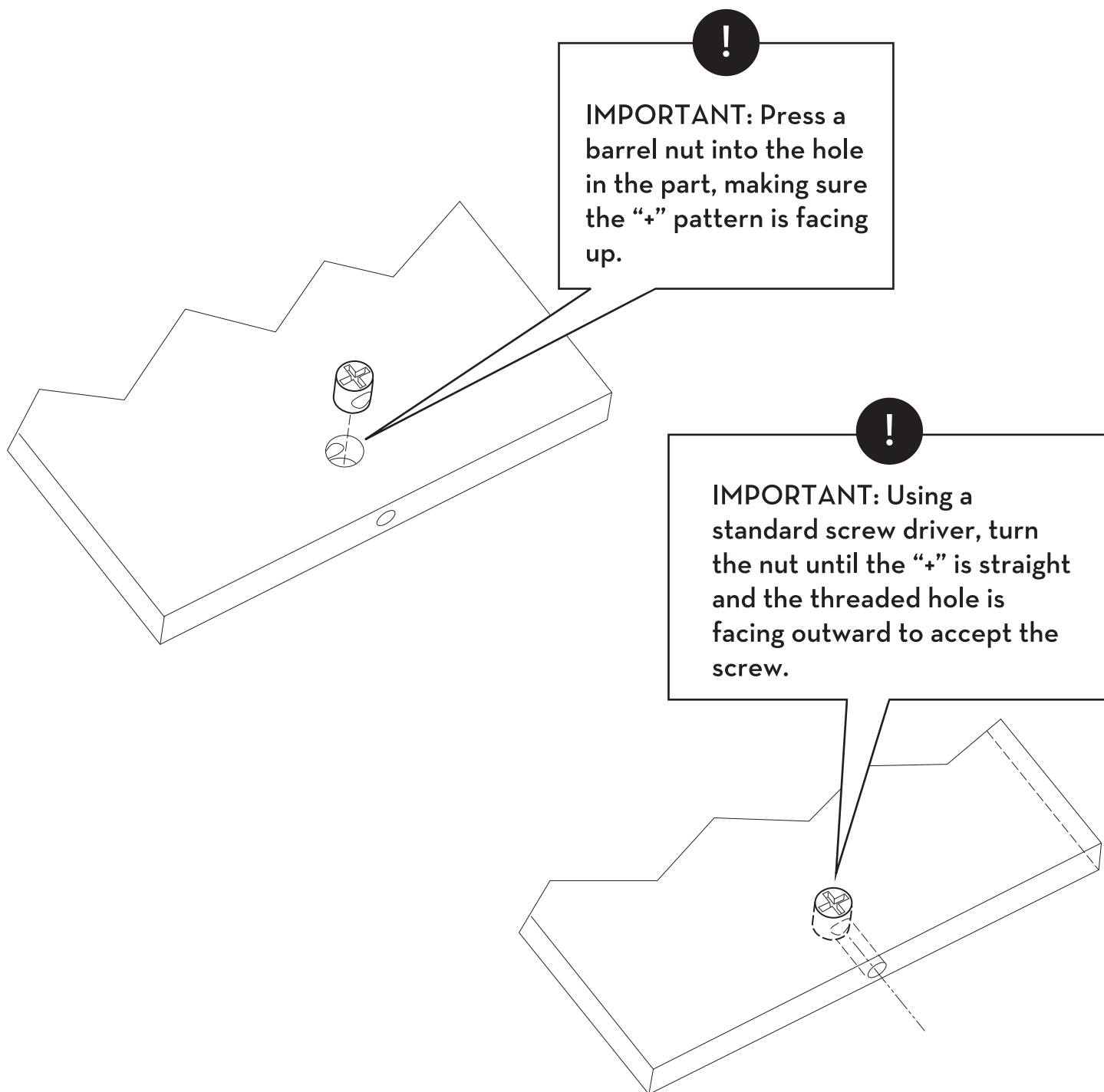


Allen wrench

# Helpful Hints and Tips

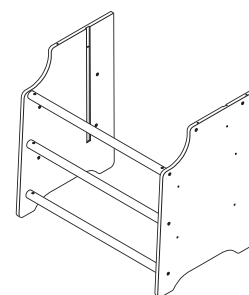
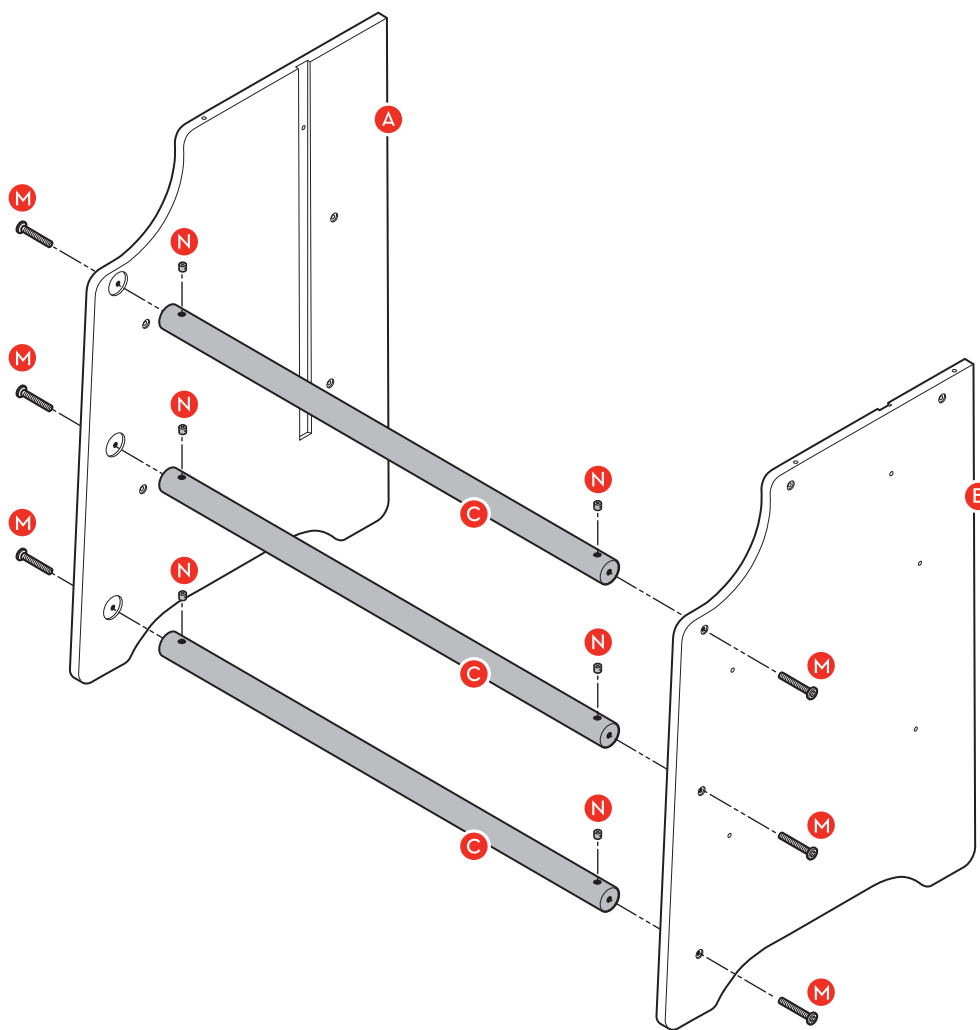
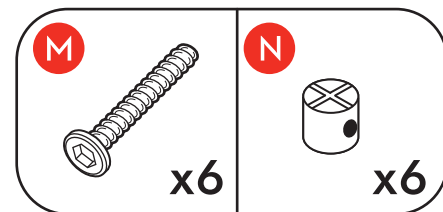
- Note: Some packages of hardware may have extra pieces.
- You will need a Phillips head screw driver (not included) to assemble the Grocery Store/Lemonade Stand.

## How to Correctly Install Barrel Nuts



# STEP 1 - Every Journey Begins with the First Step

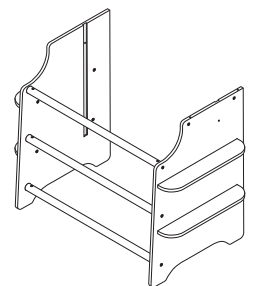
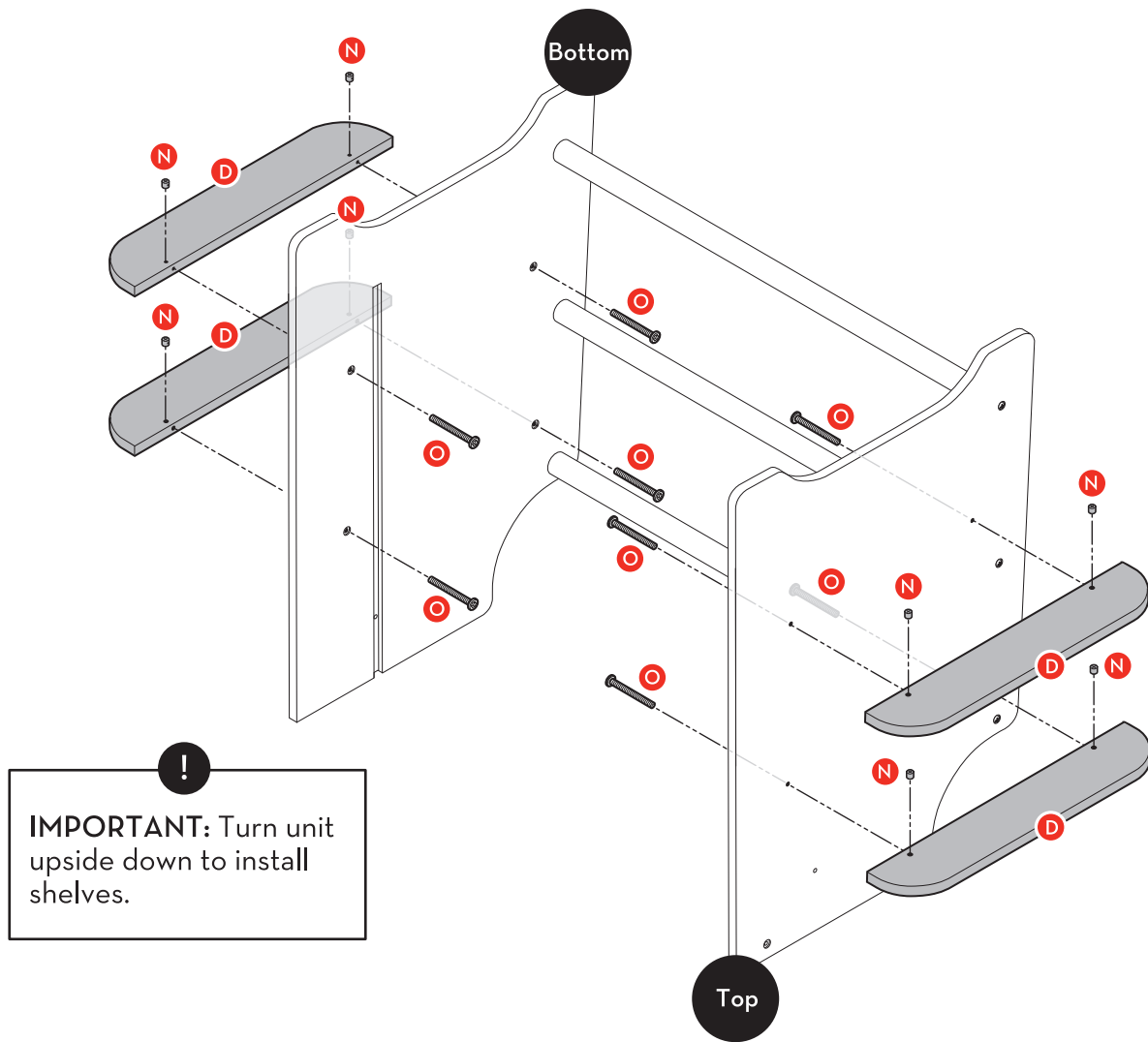
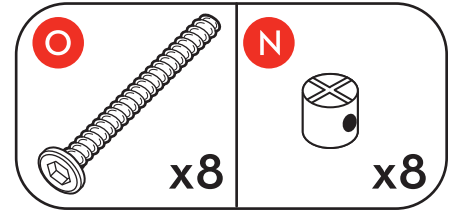
Using the 3 dowels (C), attach the left and right side panels (A & B) with 6 short bolts (M) and 6 barrel nuts (N). Refer to page 3 for proper barrel nut installation.



Assembled View

# STEP 2 - It's Hip to Flip

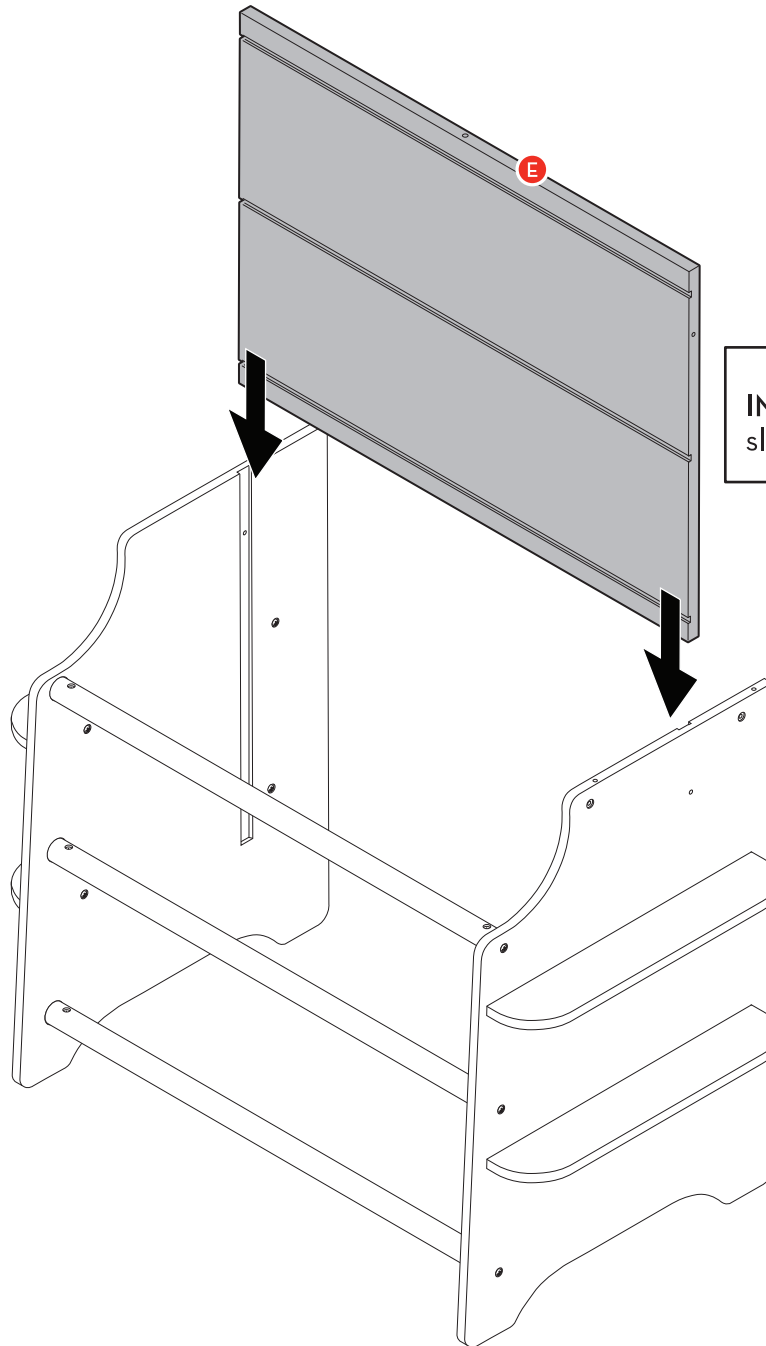
For this step, it is helpful to flip the unit upside down. Attach the 4 side shelves (D) using 8 long bolts (O) and 8 barrel nuts (N). Refer to page 3 for proper barrel nut installation. Flip unit right-side up.



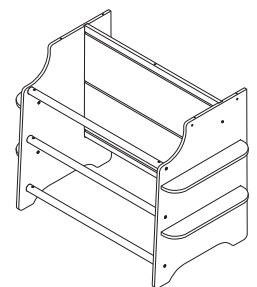
Assembled View

# STEP 3 - Groovy

Slide the back panel (E) into grooves on the sides of the unit. Make sure the slots in the back panel are facing forward.



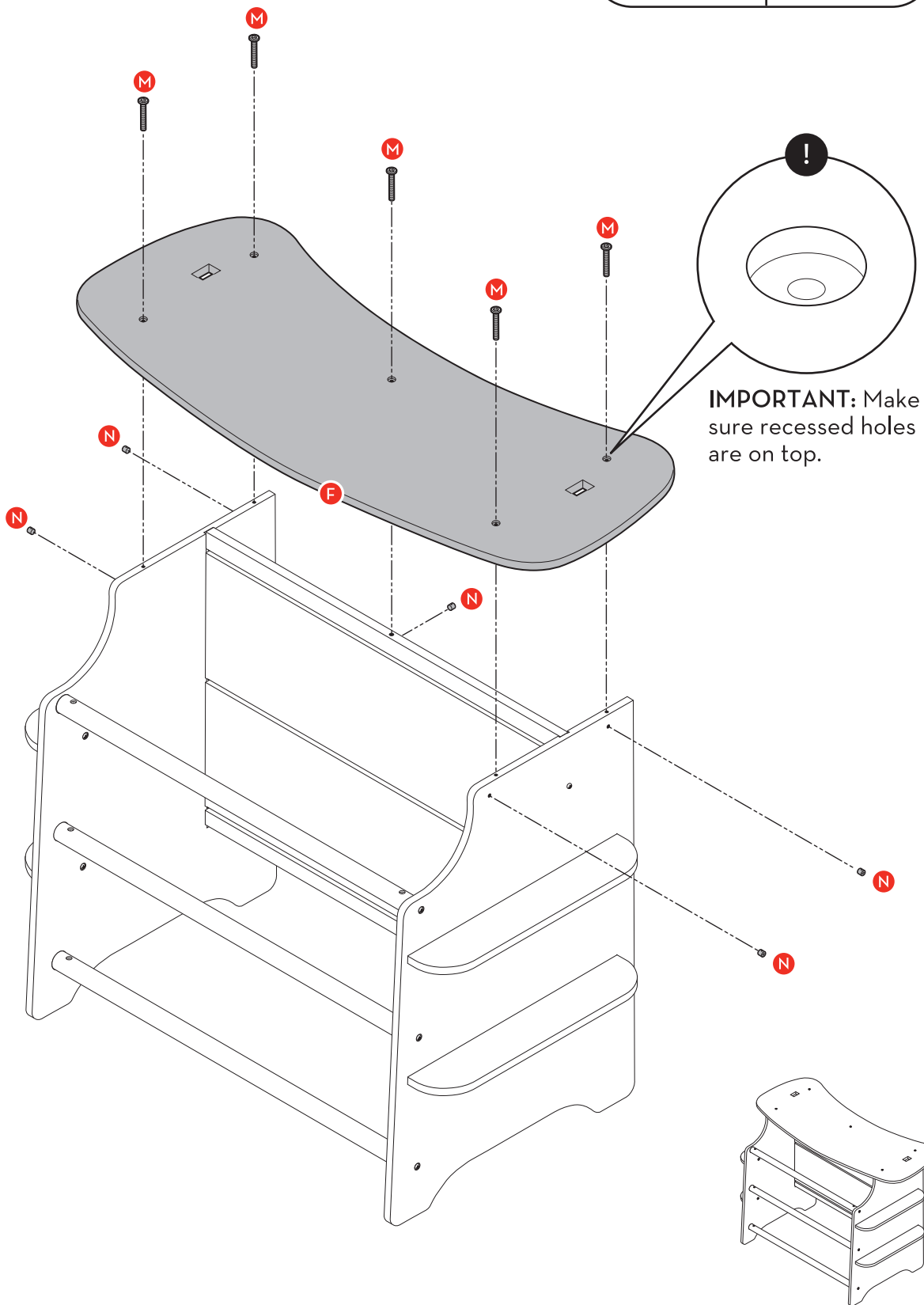
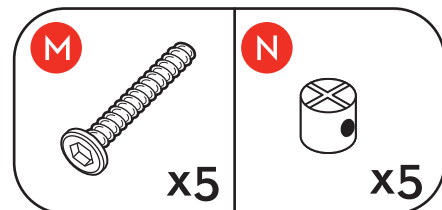
**!**  
**IMPORTANT:** Make sure slots are facing forward.



**Assembled View**

# STEP 4 - Encounter the Counter

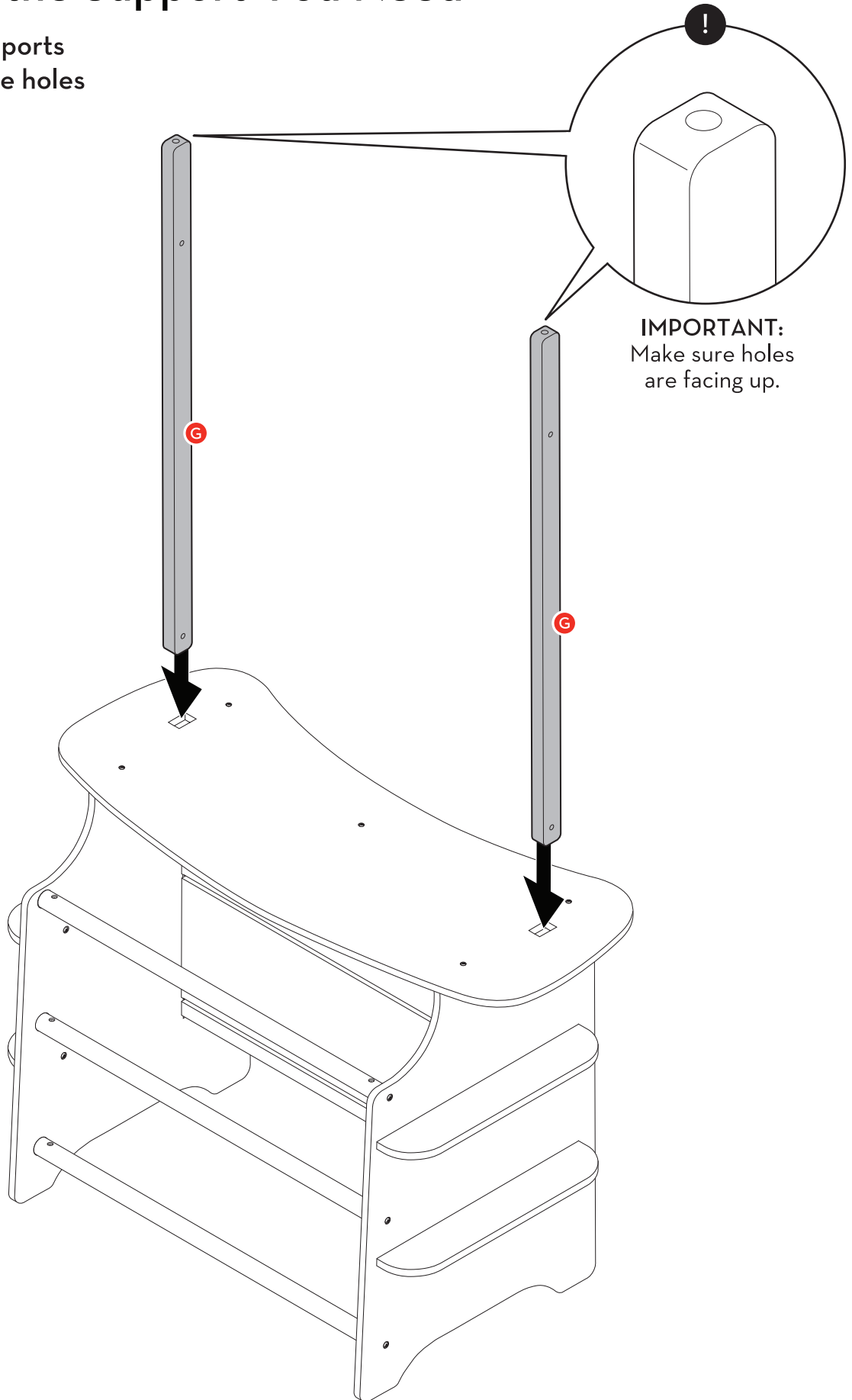
Attach the counter top (F) to the unit using 5 short bolts (M) and 5 barrel nuts (N). Refer to page 3 for proper barrel nut installation.





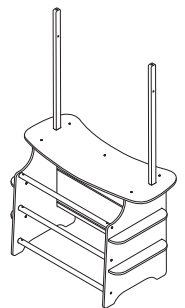
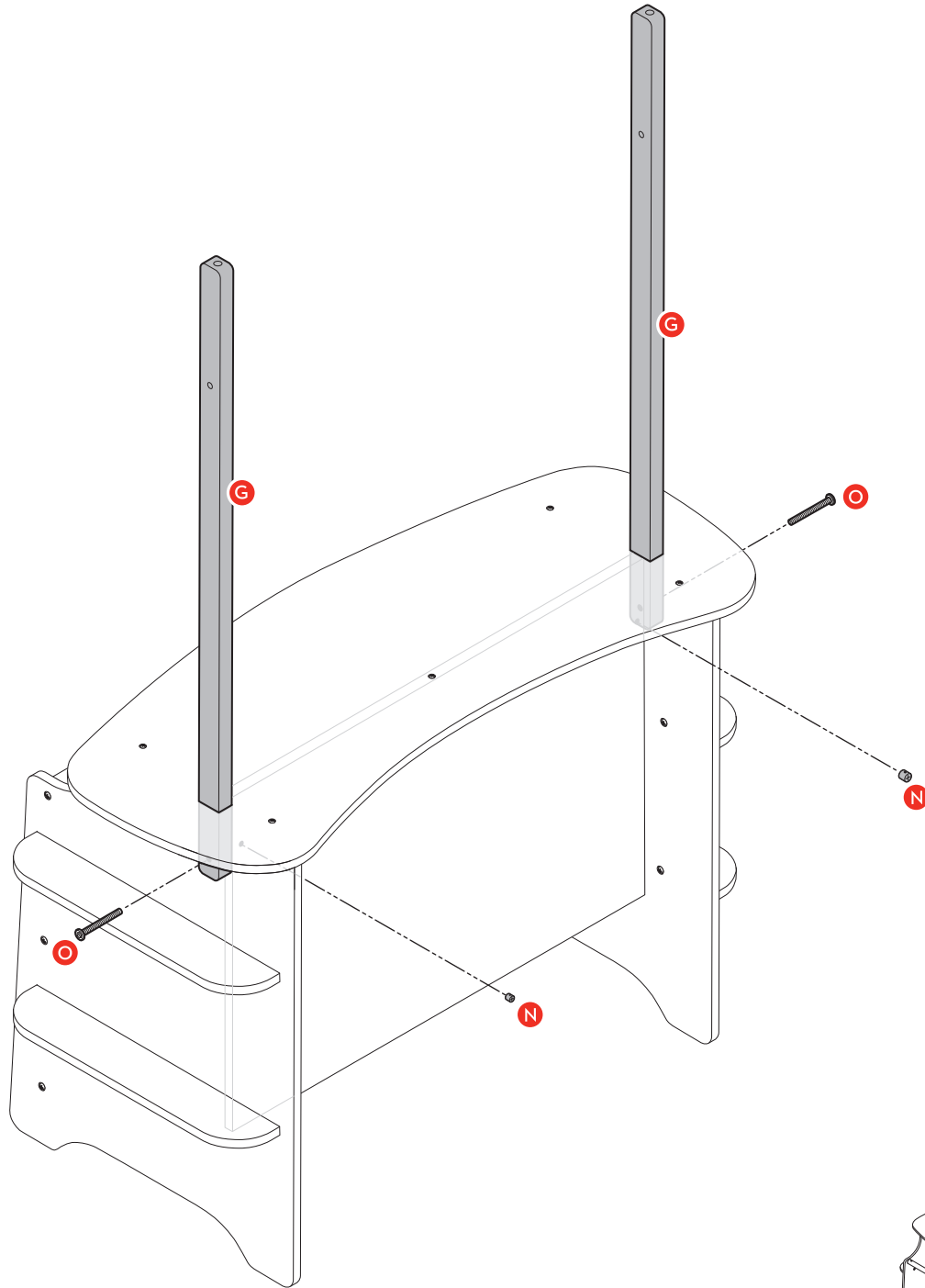
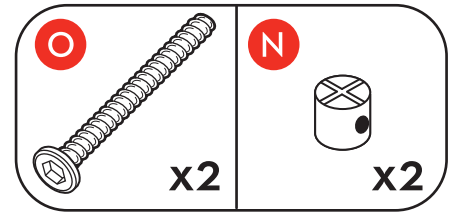
# STEP 5 - All the Support You Need

Slide the awning supports (G) down through the holes in the counter top.



# STEP 6 - Form Attachments

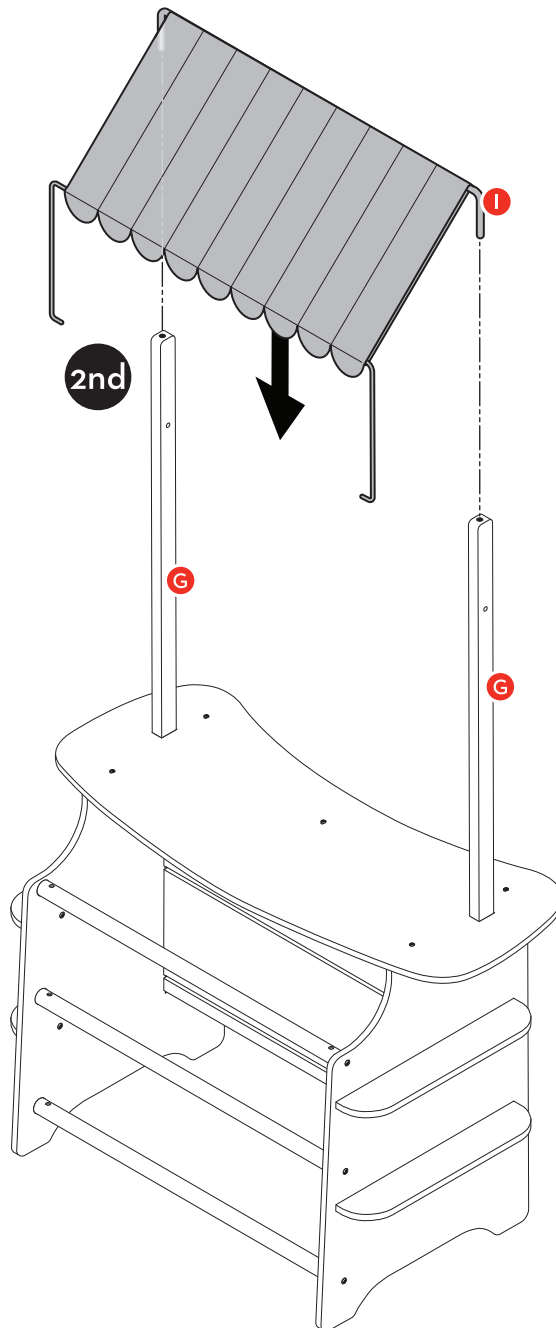
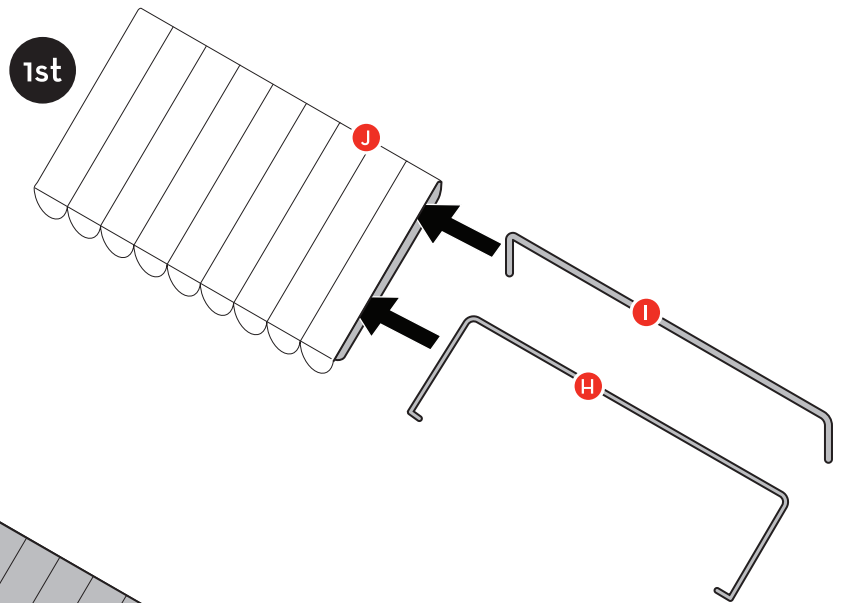
Using 2 long bolts (O) and 2 barrel nuts (N), attach the awning supports (G) to the unit. Refer to page 3 for proper barrel nut installation.



Assembled View

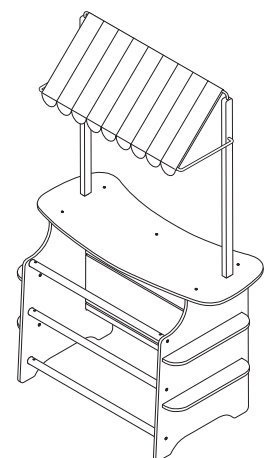
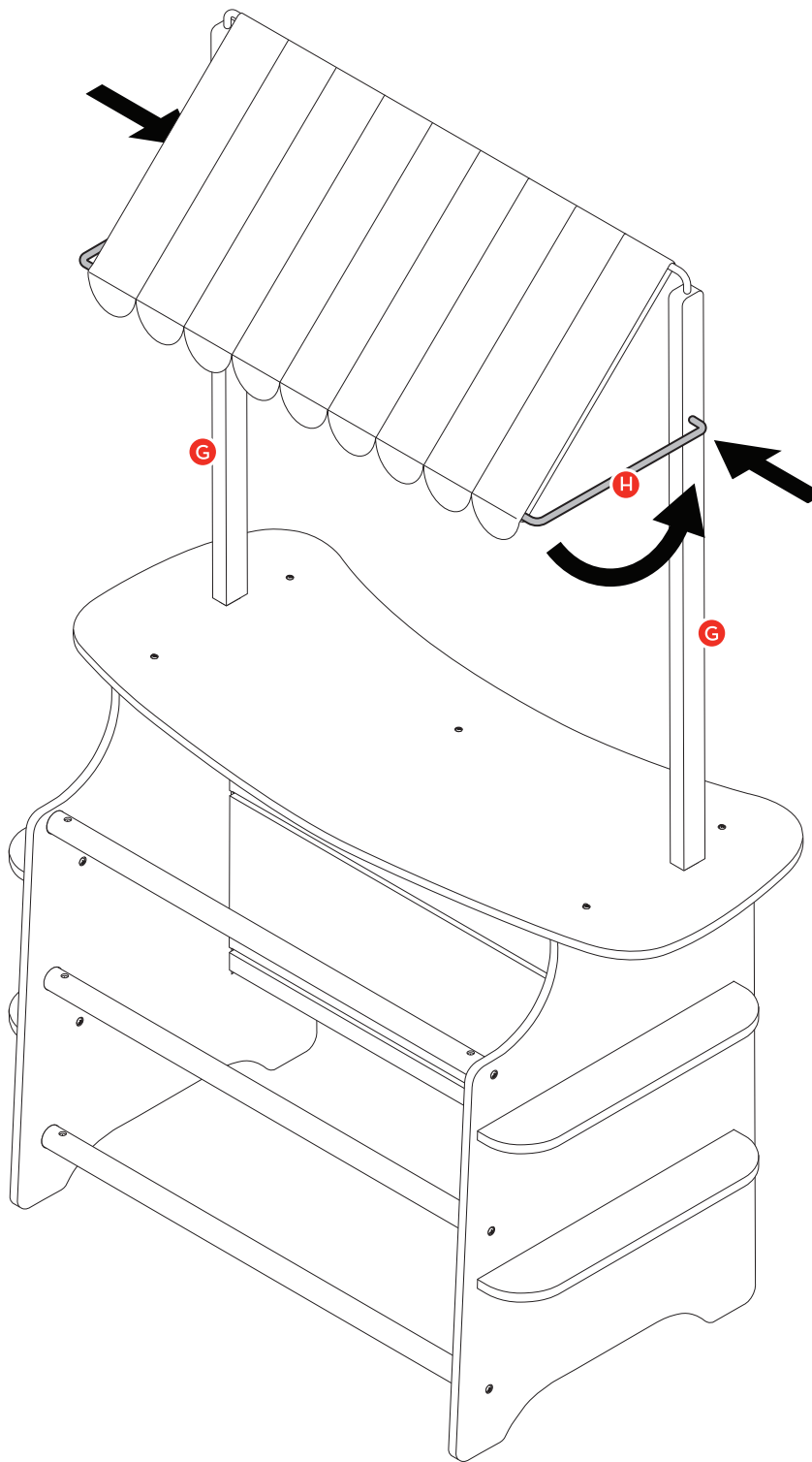
# STEP 7 - No Yawning While Installing the Awning

- Slide the large and small awning wires (H & I) into the opening in the double sided awning (J).
- Slide the small awning wire ends (I) into the top of the awning supports (G).



# STEP 8 - Made in the Shade

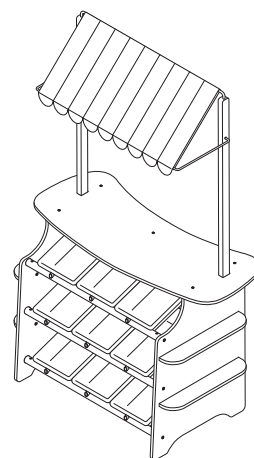
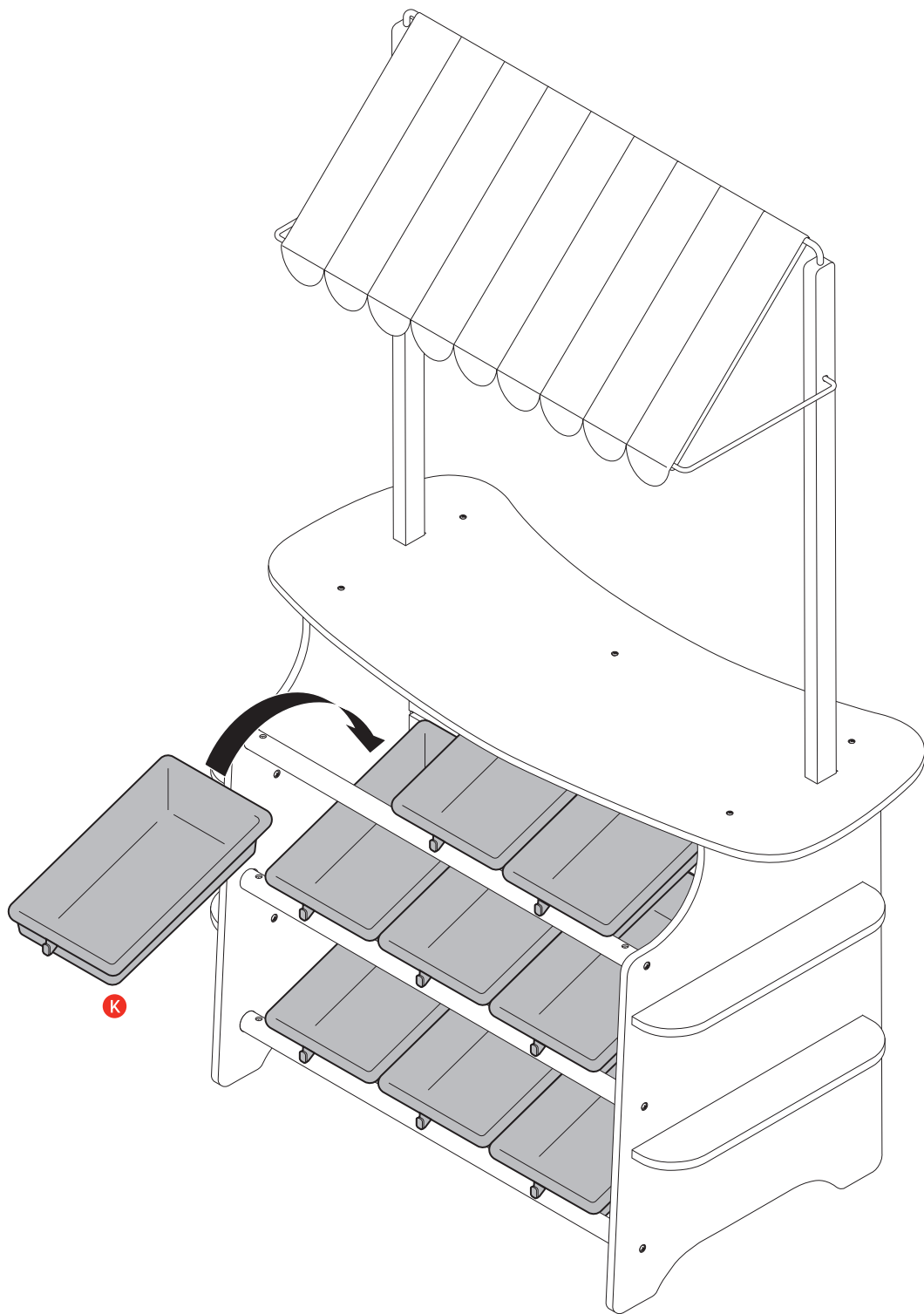
Rotate the large awning wire (H) up and into holes on both sides of the awning supports (G).



Assembled View

## STEP 9 - It's "Bin" Fun—You're Almost Done!

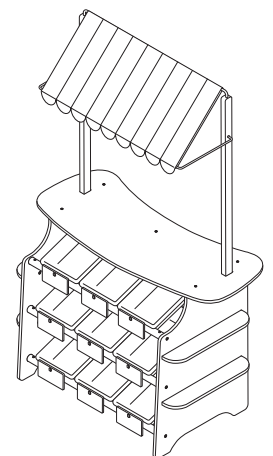
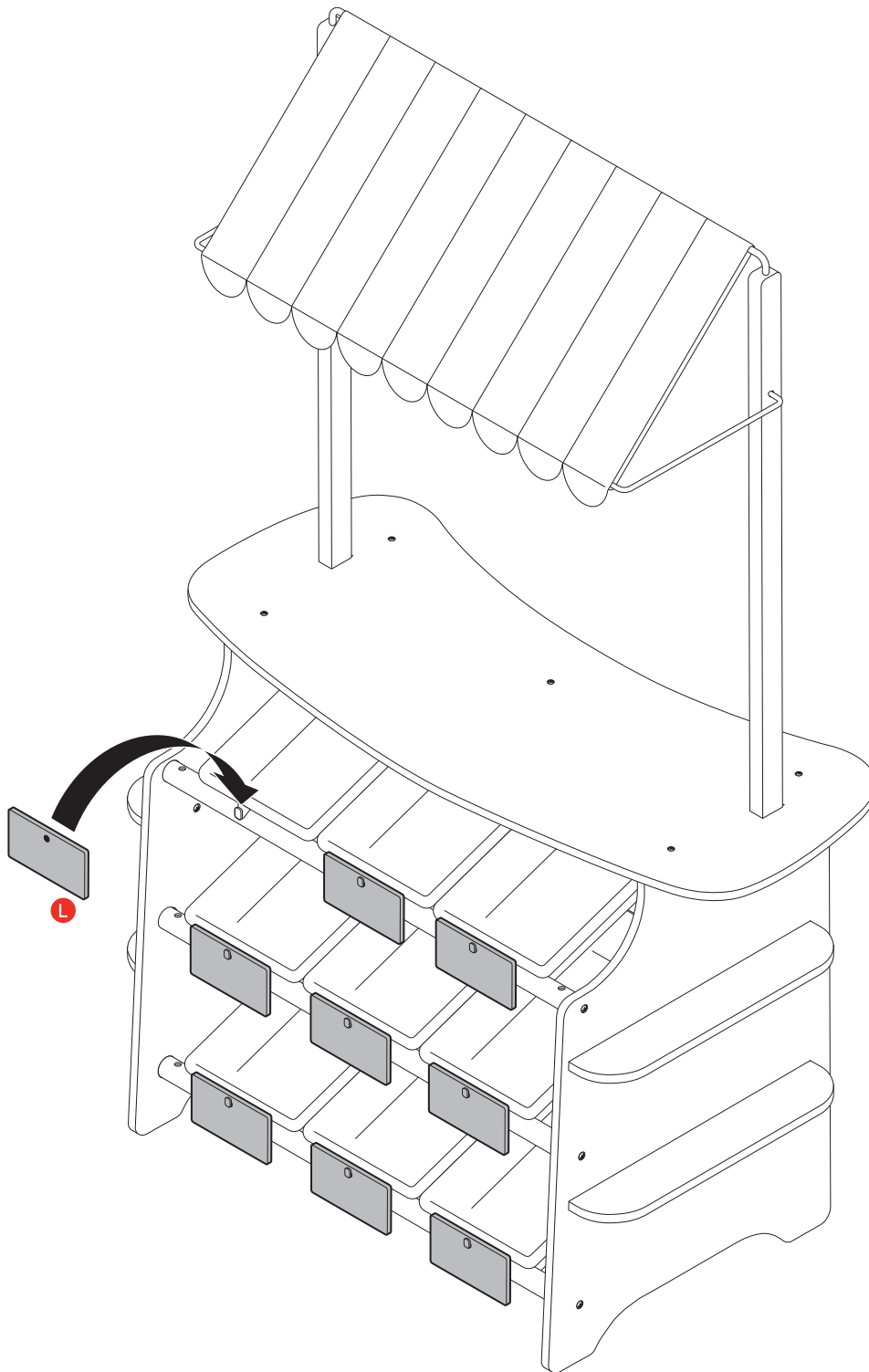
Place the plastic bins (K) onto the dowels and into the grooves in the unit's back panel. The hooks on plastic bins should be facing out.



Assembled View

# STEP 10 - End With a Clean Slate

Place the chalkboards (L) onto the hooks on the fronts of the plastic bins.



# YOU DID IT!

Now the real fun begins—it's time to open for business! There are lots of ways to play and to make the most of your Grocery Store/Lemonade Stand!

- **REVERSIBLE AWNING:** Roll the awning along the awning wires to flip the sign: Display one side to let customers know you're open for business a grocery store and the other to indicate a lemonade stand!
- **FILL THE BINS:** The nine plastic bins are perfect for displaying whatever is for sale at the stand. When using as a grocery store, fill them with real or pretend play produce, grocery boxes and cans, and more. Search playrooms, pantries, cupboards, and closets for items of all kinds to sell in the store. Happen to have lots of lemons? Flip the awning, and fill the bins with lemons and get ready to serve lots of thirsty customers!
- **CHALKBOARD SIGNS:** Use chalk (not included) to label the contents of the bins or post prices of items for sale at the stand. Boards are easy to hang and remove.
- **ADD PERSONAL TOUCHES:** Kids will have a great time making the stand their own! Have them display flower bouquets, create signs, posters, and pictures, and hang streamers or other decorations. Just be sure never to place heavy or breakable items on the stand (see Warnings on page 1).

---

## ACCESSORIZE

Melissa & Doug Playtime Produce Fruit (#4082) and Vegetable (#4083) sets are perfect for starting to fill up your Grocery Store/Lemonade Stand! To find these and lots of other items to stock your shelves, such as play food, pantry items, play money, and more, visit us at [MelissaAndDoug.com](http://MelissaAndDoug.com)!