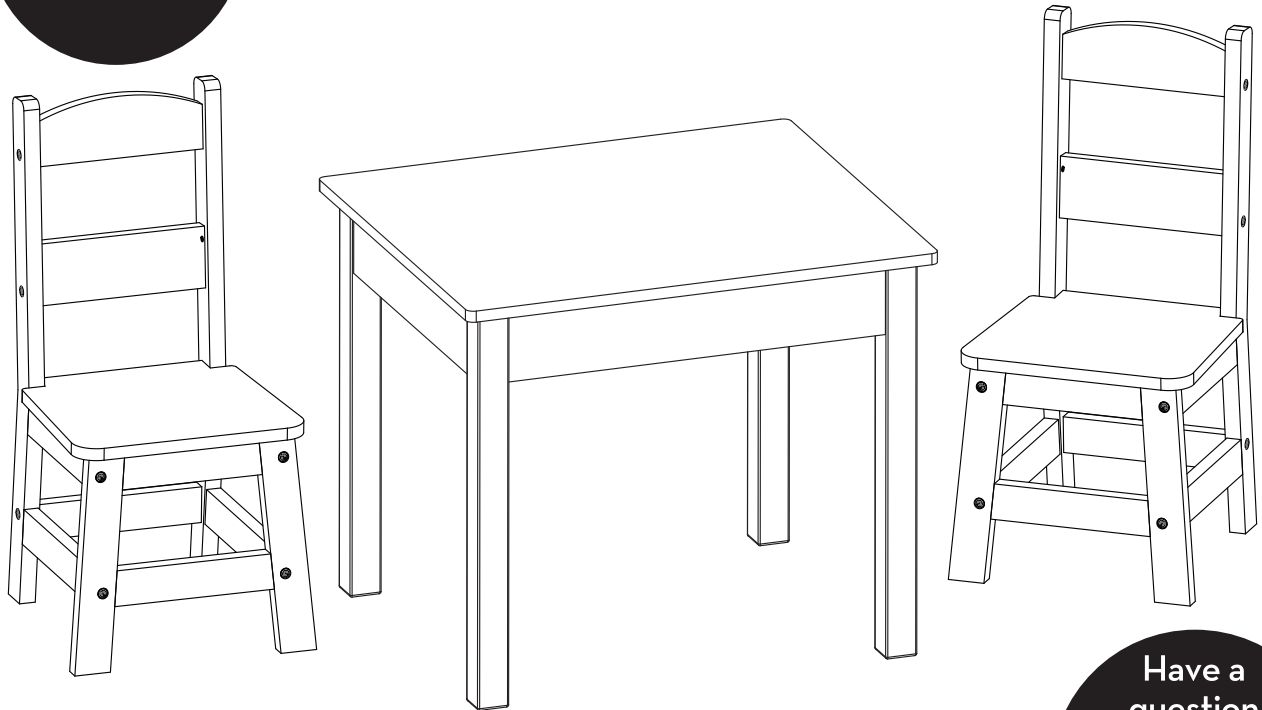




# Wooden Table & Chairs

## ASSEMBLY INSTRUCTIONS

Put Together  
in Just 6  
Simple Steps!



Have a  
question  
or need help?  
Give us a call!  
1-800-284-3948

Item # 2427

We care about your comments. Please call us!

**Melissa & Doug**  
1-800-284-3948  
www.MelissaAndDoug.com

Melissa & Doug products meet or exceed U.S. testing standards and pass our high quality requirements.

© Melissa & Doug, LLC, P.O. Box 590, Westport, CT 06881  
MADE IN CHINA

**WARNING:**  
CHOKING HAZARD - Small Parts.  
Not for children under 3 years.

**CAUTION:**  
ADULT ASSEMBLY REQUIRED.

Ages 3+

# THANK YOU!

Thank you for choosing the Melissa & Doug Wooden Table & Chairs! These sturdy table and chairs are perfect for playrooms or bedrooms and are a terrific way to give kids a place of their own where creativity and imagination grow.

---

## NOW IT'S TIME TO PUT IT TOGETHER!

Don't worry, assembling your new table and chairs is simple, and we're here to help. Here are a few tips before you begin:

- Read through all the instructions first.
- Clear a flat, covered space (carpeted is best) to lay out all the materials so everything is close at hand.
- You will need a Phillips head screwdriver (not included) to assemble the table and chairs. We've included everything else you will need. All parts are labeled with a sticker (A-L; 1-2).
- The instructions include lots of helpful pictures—we show you, step-by-step, exactly how to align pieces and parts for speedy and accurate assembly. Note that hardware needed for each step is shown in the upper right corner of the page, each piece being added in a given step is highlighted in gray, and the “assembled view” (what it looks like in the finished product when the step is completed) is included in the lower right corner of every page.
- In the instructions, the name of a part is followed by a letter or number in parentheses. This letter or number corresponds to the sticker on the part, as well as the picture of the part shown on page 2.
- Helpful hints are highlighted with a large exclamation point.



**IMPORTANT:** Helpful hints are found here.

- If you have any questions, we're here for you! Give our customer care team a call at 1-800-284-3948!
- 

## WARNINGS!

Retain these instructions for future reference.

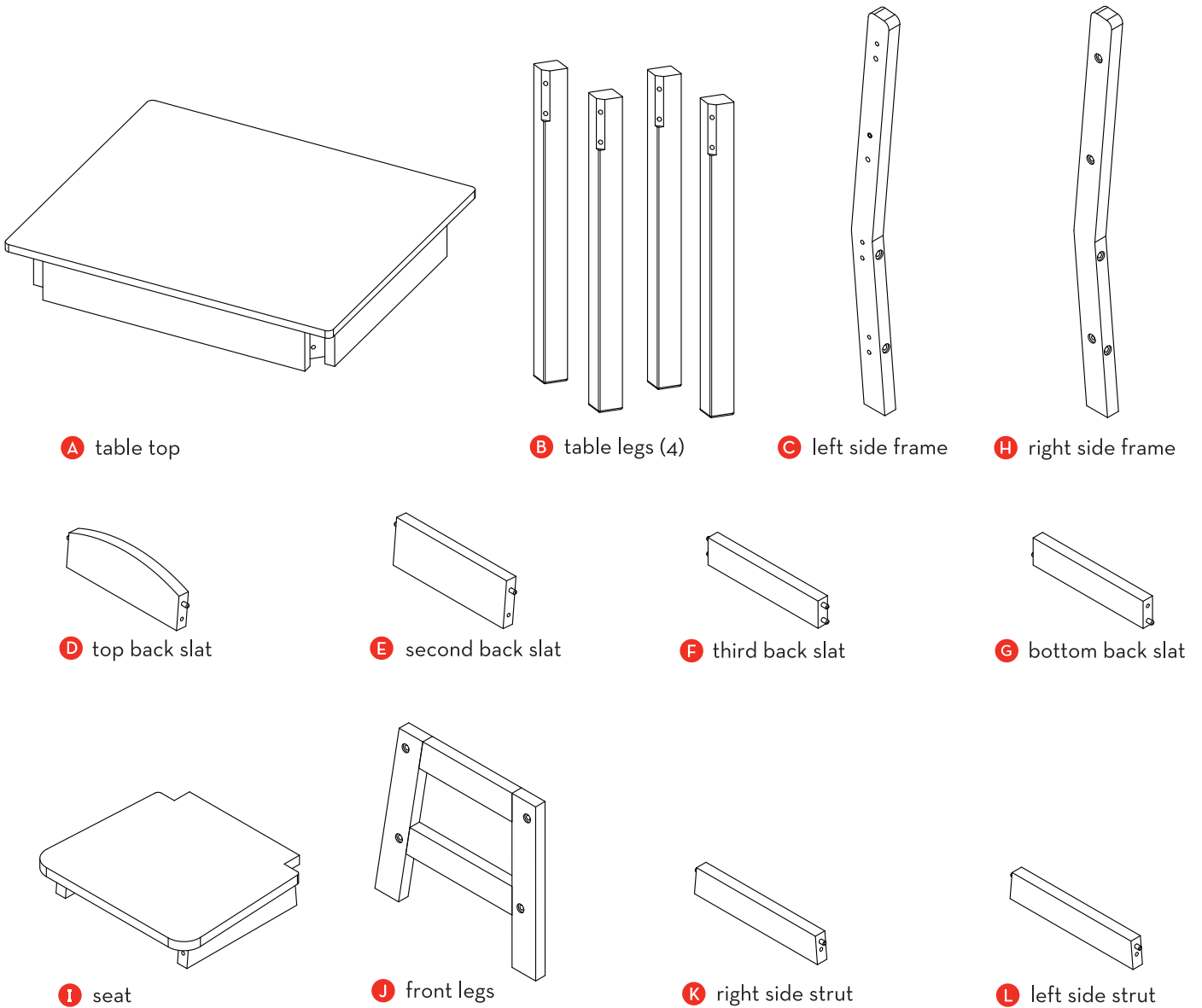
- Chairs hold up to 150 pounds (68 kilograms).
  - Do not allow children to stand on any part of the table or chairs.
  - Never place computers, televisions, or other heavy objects on top of the table or chairs.
  - The table and chairs must be placed on a hard, flat, and level surface.
  - The table and chairs must be assembled as instructed.
- 

## MAINTENANCE:

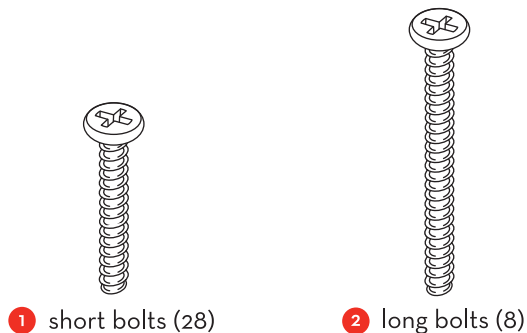
Ensure the table and chairs continue to function properly and safely by regularly checking the hardware and tightening when necessary.

# PARTS - Be Smart—Sort Your Parts

Note: There are two of each of the parts C-L, one for each chair.



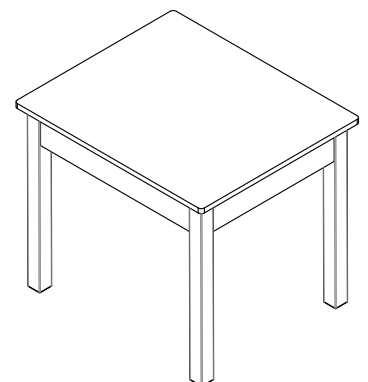
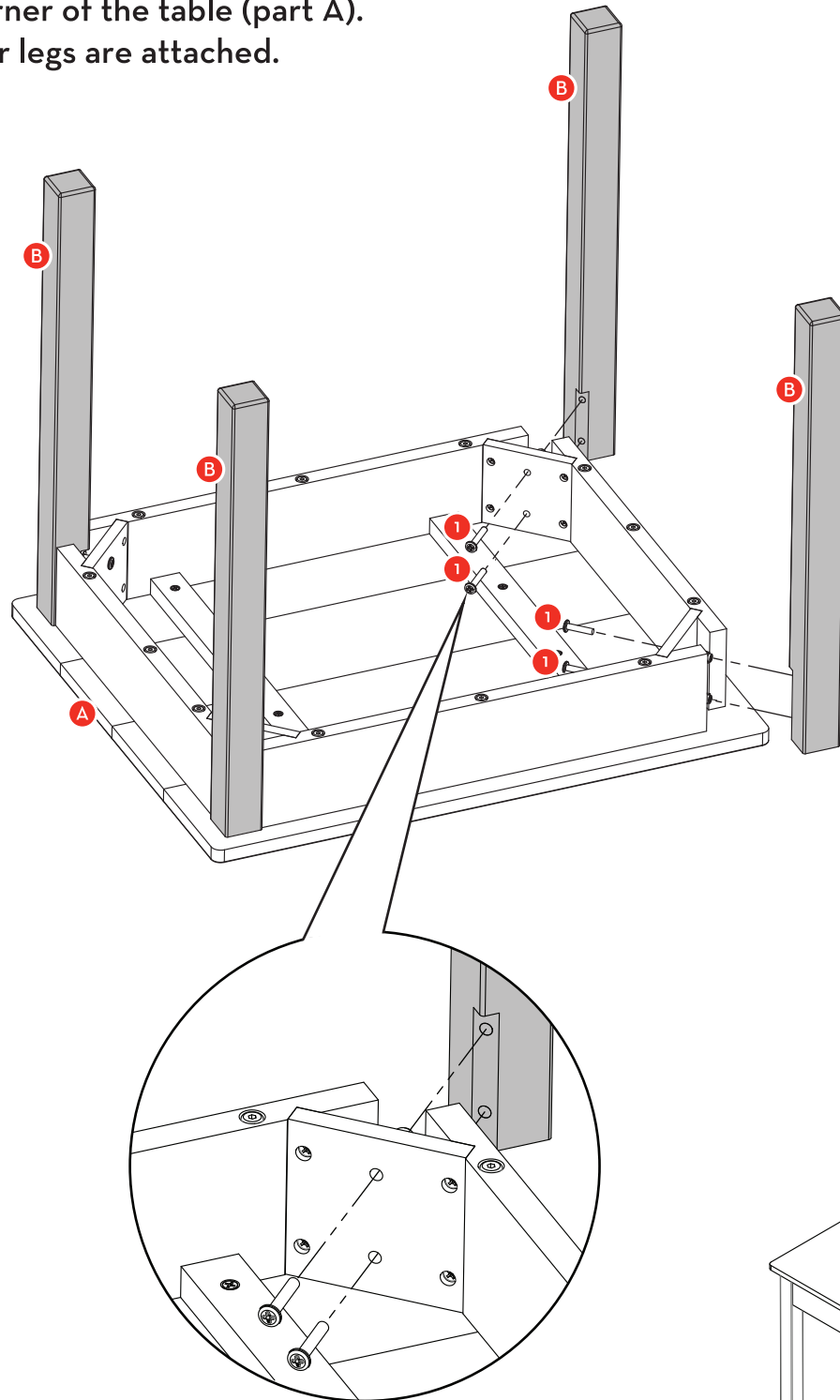
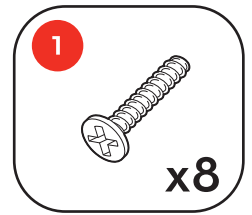
## METAL COMPONENTS



**!**  
**IMPORTANT:** Some packages of hardware may have extra pieces.

# STEP 1 - Every Journey Begins with the First Step

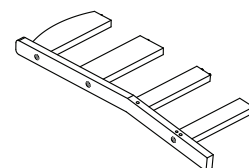
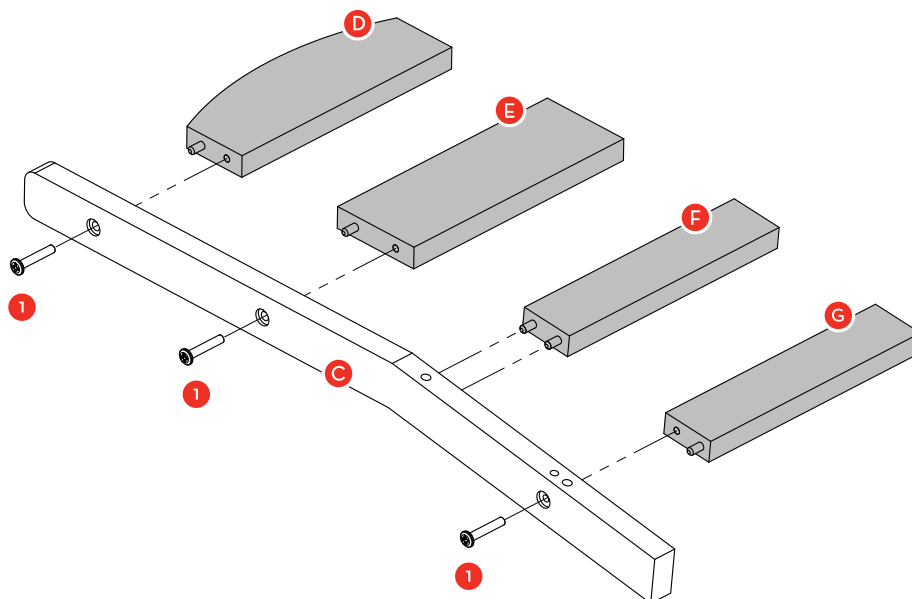
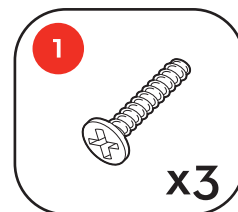
Turn the table top (part A) upside down.  
Use 2 short bolts (part 1) to attach a table leg (part B) to a corner of the table (part A).  
Repeat until all four legs are attached.



Assembled View

## STEP 2 - Back it Up

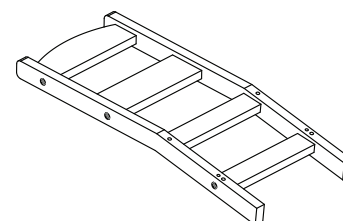
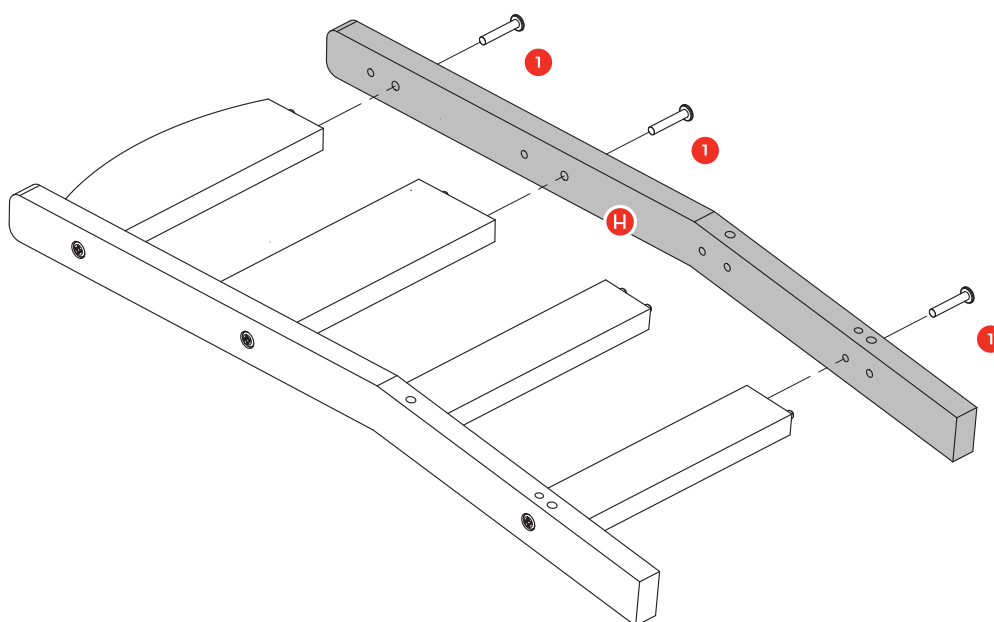
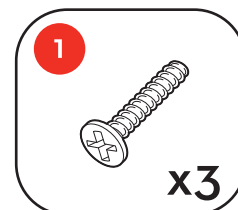
Arrange back slats (parts D, E, F and G) to the right of the left side frame (part C). Attach parts D, E, and G with one short bolt (part 1) in each, and rest part F in the slots with the dowels.



Assembled View

## STEP 3 - Side by Side

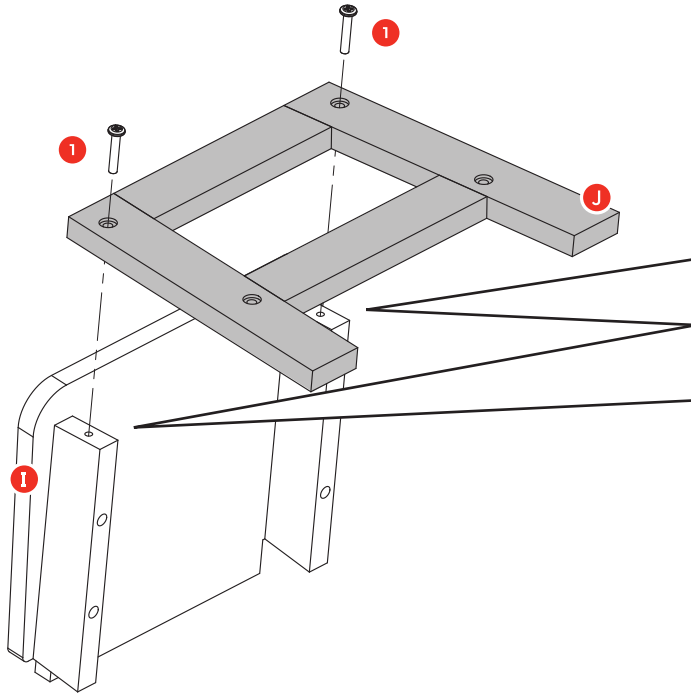
Use 3 short bolts (part 1) to attach right side frame (part H).



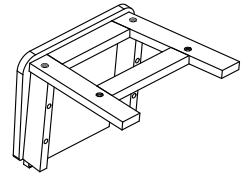
Assembled View

# STEP 4 - Get a Leg Up

Using 2 short bolts (part 1), attach front legs (part J) to the front of the seat (part I), under the rounded corners.



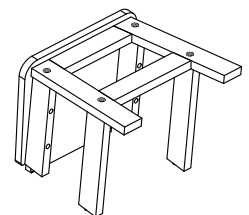
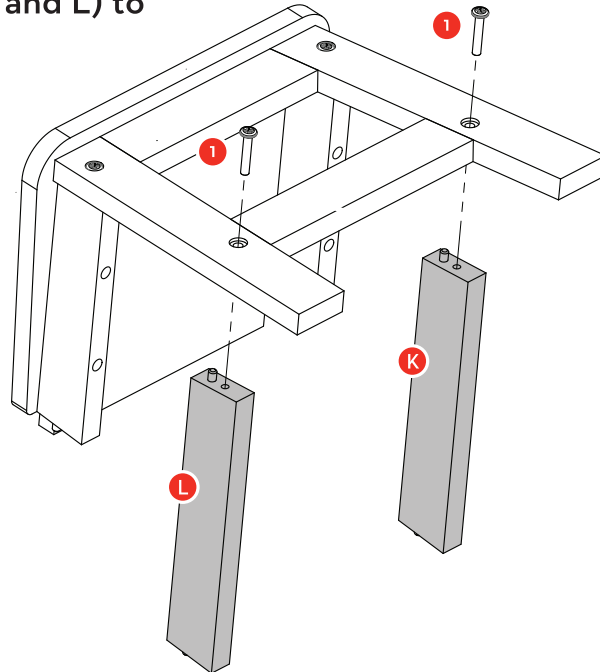
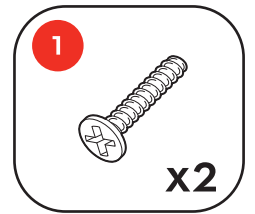
**!**  
IMPORTANT: Be sure to attach front legs to the ends of the braces under the rounded corners of the seat.



Assembled View

# STEP 5 - Strut Your Stuff

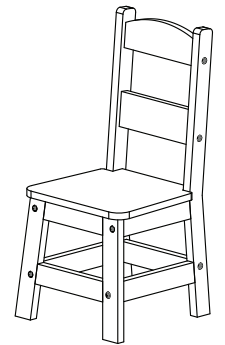
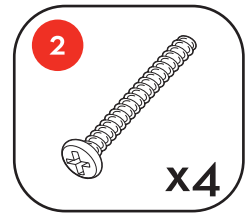
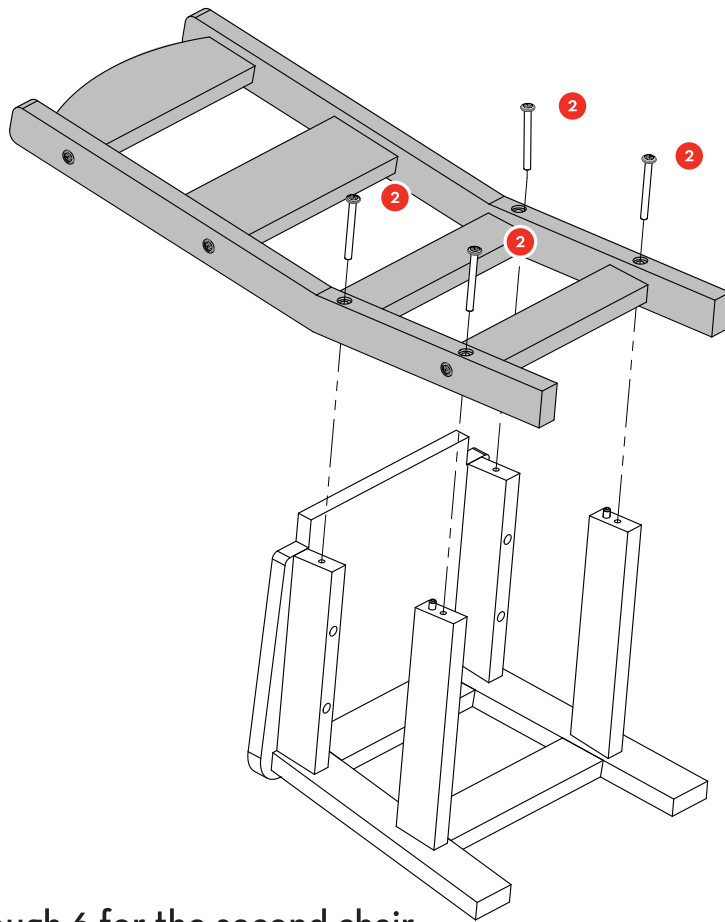
Using 2 short bolts (part 1) attach the right and left struts (parts K and L) to the front legs.



Assembled View

## STEP 6 - Put Your Back Into It

Using 4 long bolts (part 2) attach the completed back from Step 2 to the back of the seat and the struts.



Assembled View

Repeat steps 2 through 6 for the second chair.

---

## YOU DID IT!

Now the real fun begins—it's time to sit back and relax in these kid-sized, classically styled, sturdy wooden chairs. Your table is ready for crafts, games, and lots more!

## ACCESSORIZE

The Melissa & Doug Wooden Chair Pair (#8789) is designed to be a perfect addition to the Melissa & Doug Wooden Table & Chairs! Sized just right for kids three to eight years old, this pair of chairs coordinates well with your table and lets you make room for four. To find this item and more, visit us at [MelissaAndDoug.com](http://MelissaAndDoug.com)!