



Wooden Project Workbench

ASSEMBLY INSTRUCTIONS

Put Together
in Just 7 Simple
Steps!



Have a
question
or need help?
Give us a call!
1-800-284-3948

Item # 2369

We care about your comments. Please call us!

Melissa & Doug
1-800-284-3948
www.MelissaAndDoug.com

Melissa & Doug products meet or exceed U.S. testing standards and pass our high quality requirements.

© Melissa & Doug, LLC, P.O. Box 590, Westport, CT 06881

MADE IN CHINA

WARNING:
CHOKING HAZARD - Small Parts.
Not for children under 3 years.

Ages 3+
CAUTION:
ADULT ASSEMBLY REQUIRED.

THANK YOU!

Thank you for choosing the Melissa & Doug Wooden Project Workbench! It's a terrific way to help nurture a child's creativity and imagination, and to inspire hands-on constructive play for years to come.

NOW IT'S TIME TO PUT IT TOGETHER!

Don't worry, assembling your new workbench is simple, and we're here to help. It may go a little faster with a partner to lend a hand, but we've made it so one person can assemble the workbench. Here are a few tips before you begin:

- Read through all the instructions first.
- Clear a flat, covered space (carpeted is best) to lay out all the materials so everything is close at hand.
- You will need a Phillips head screwdriver (not included) to assemble the workbench. We've included everything else you need. All parts are labeled with a sticker (A-X).
- The instructions include lots of helpful pictures—we show you, step-by-step, how to align pieces and parts for speedy and accurate assembly. Note that the hardware needed for each step is shown in the upper right corner of the page, each piece being added in a given step is highlighted in gray, and the “assembled view” (what it looks like in the completed product when the step is completed) is included in the lower right corner of every page.
- In the instructions, the name of a part is followed by a letter in parentheses. This letter corresponds to the sticker on the part, as well as the picture of the part shown on pages 2-3.
- Helpful hints are highlighted with a large exclamation point.



IMPORTANT: Helpful hints are found here.

- If you have any questions, we're here for you! Give our customer service team a call at 1-800-284-3948!
-

WARNINGS!

Retain these instructions for future reference.

Warning—Prevent Tip Overs!

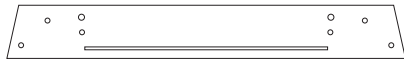
- Do not allow children to pull, climb, sit, or stand on any part of the workbench.
 - Never place computers, televisions, or other heavy objects on top of the workbench.
 - The workbench must be placed on a hard, flat, and level surface.
 - For more information on how to prevent furniture tip overs in your home, visit AnchorIt.gov.
 - The workbench must be assembled as instructed.
-

MAINTENANCE:

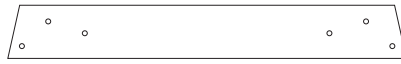
Ensure the workbench continues to function properly and safely by regularly checking the hardware and tightening when necessary.

PARTS - Be Smart—Sort Your Parts

Before you begin assembly, make sure you have all the parts listed below. Use the Allen wrench (part X) to attach bolts and a Phillips head screwdriver (not included) to attach the screws and align the barrel nuts.



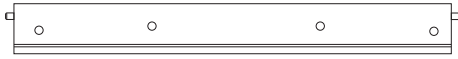
A left tray rail



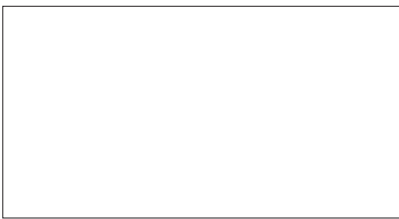
B right tray rail



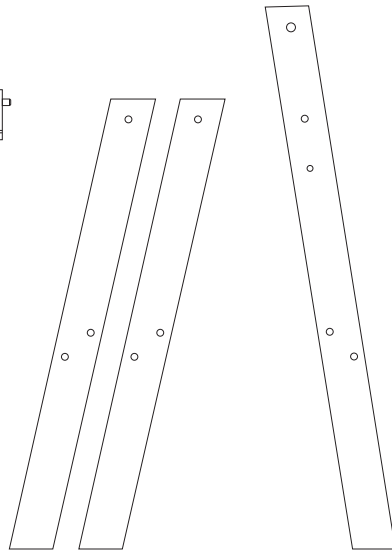
C front tray rail



D rear tray rail

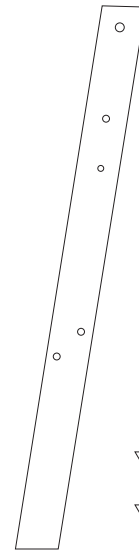


E lower tray panel

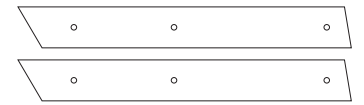


F front legs (2)

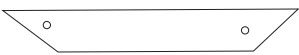
G left rear leg



H right rear leg



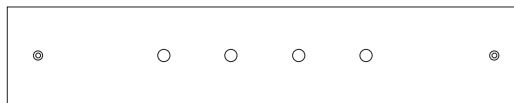
I upper side rails (2)



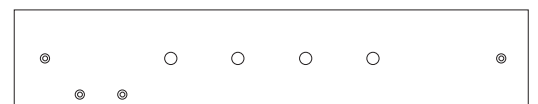
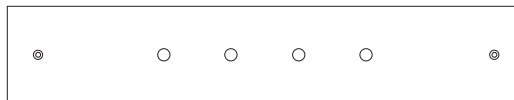
J left side brace



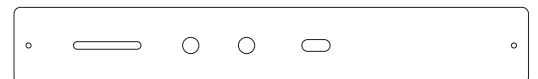
K right side brace



L middle and rear top planks (2)



M front top plank



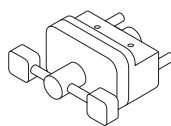
N tool holder



O left rear brace



P right rear brace

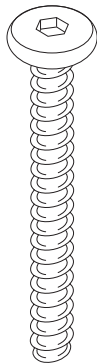


Q vise

HARDWARE



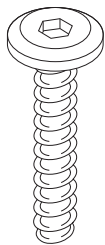
IMPORTANT: Some packages of hardware may have extra pieces.



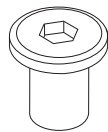
R medium bolt (8)



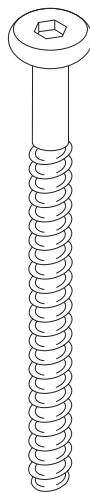
S barrel nut (10)



T short bolt (16)



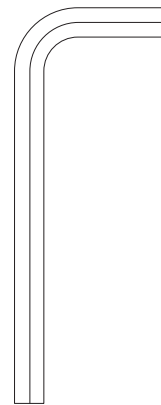
U bolt nut (16)



V long bolt (2)



W screw (8)

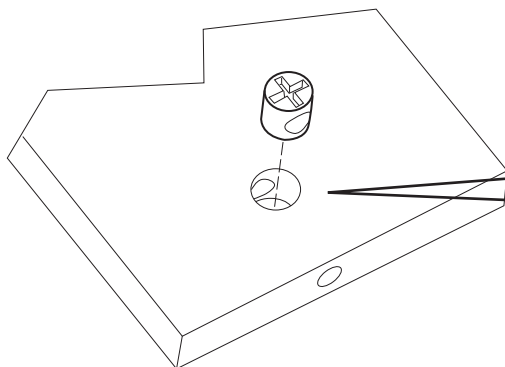


X Allen wrench

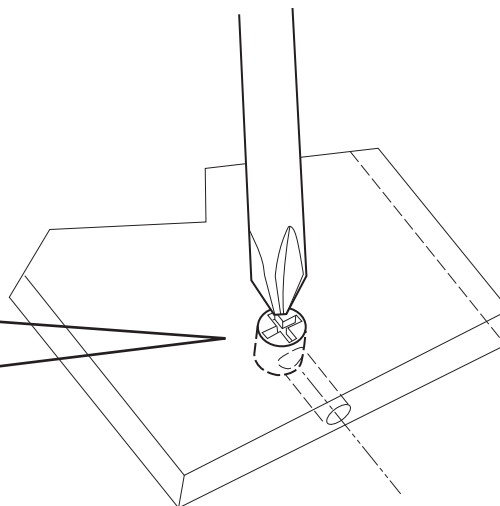
How to Correctly Install Barrel Nuts



IMPORTANT: Press a barrel nut into the hole in the part, making sure the “+” pattern is facing up.

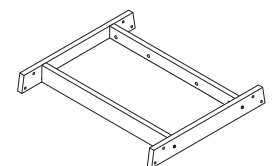
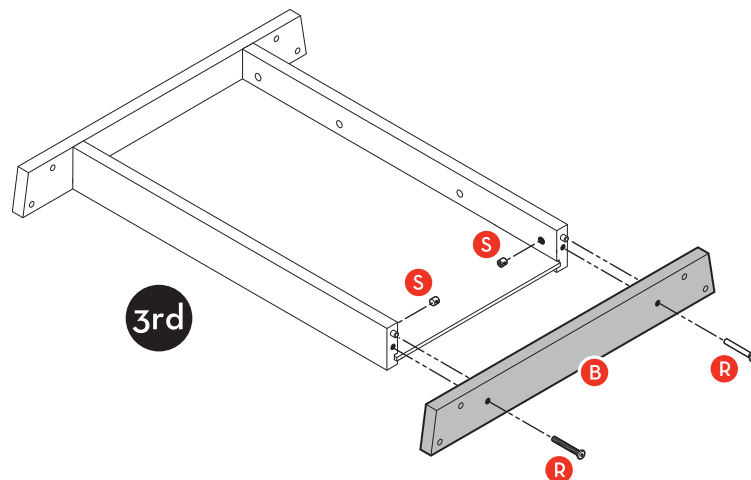
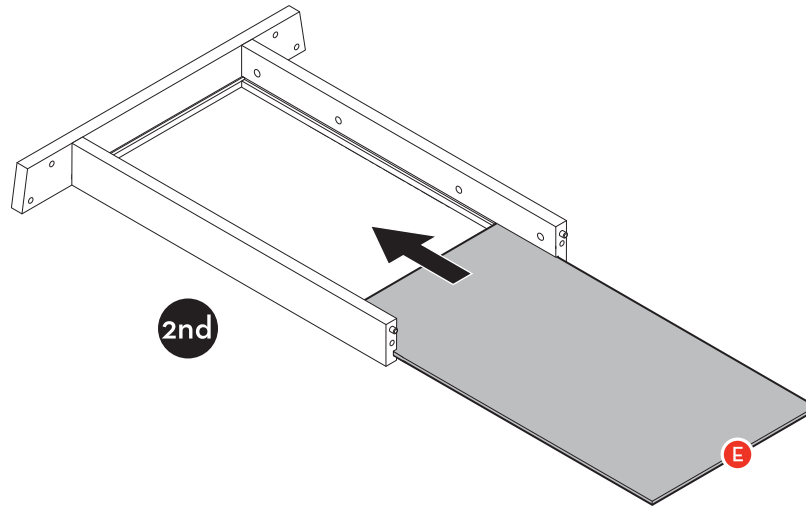
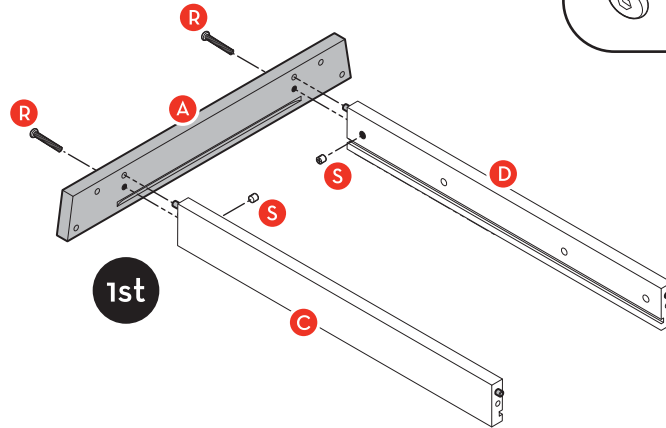
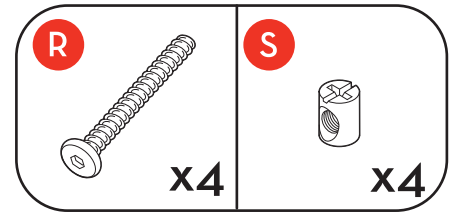


IMPORTANT: Using a Phillips head screw driver, turn the nut until the “+” is straight and the threaded hole is facing outward to accept the bolt.



STEP 1 - Every Journey Begins with the First Step

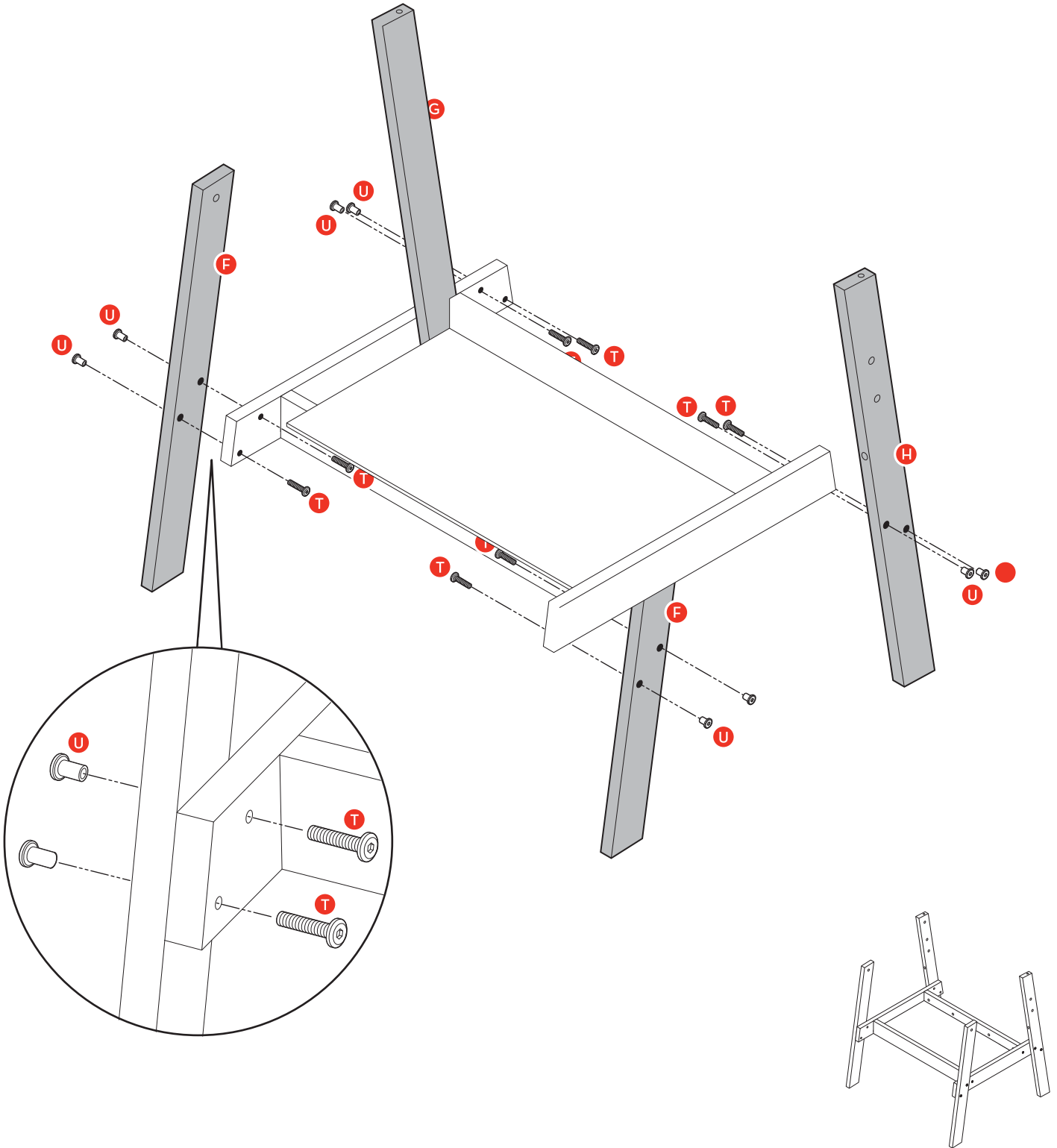
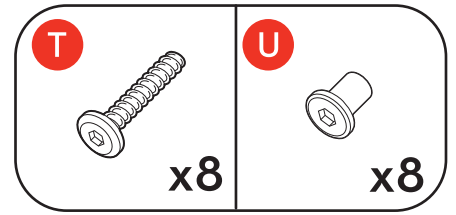
- First, using 2 medium bolts (part R) and 2 barrel nuts (part S), attach the left tray rail (part A) to the front tray rail (part C) and the rear tray rail (part D).
- Second, slide the tray panel (part E) into the tray assembly.
- Third, using 2 medium bolts (part R) and 2 barrel nuts (part S), attach the right tray rail (part B) to the tray assembly.



Assembled View

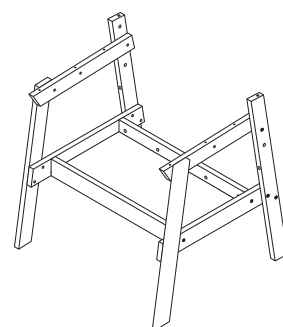
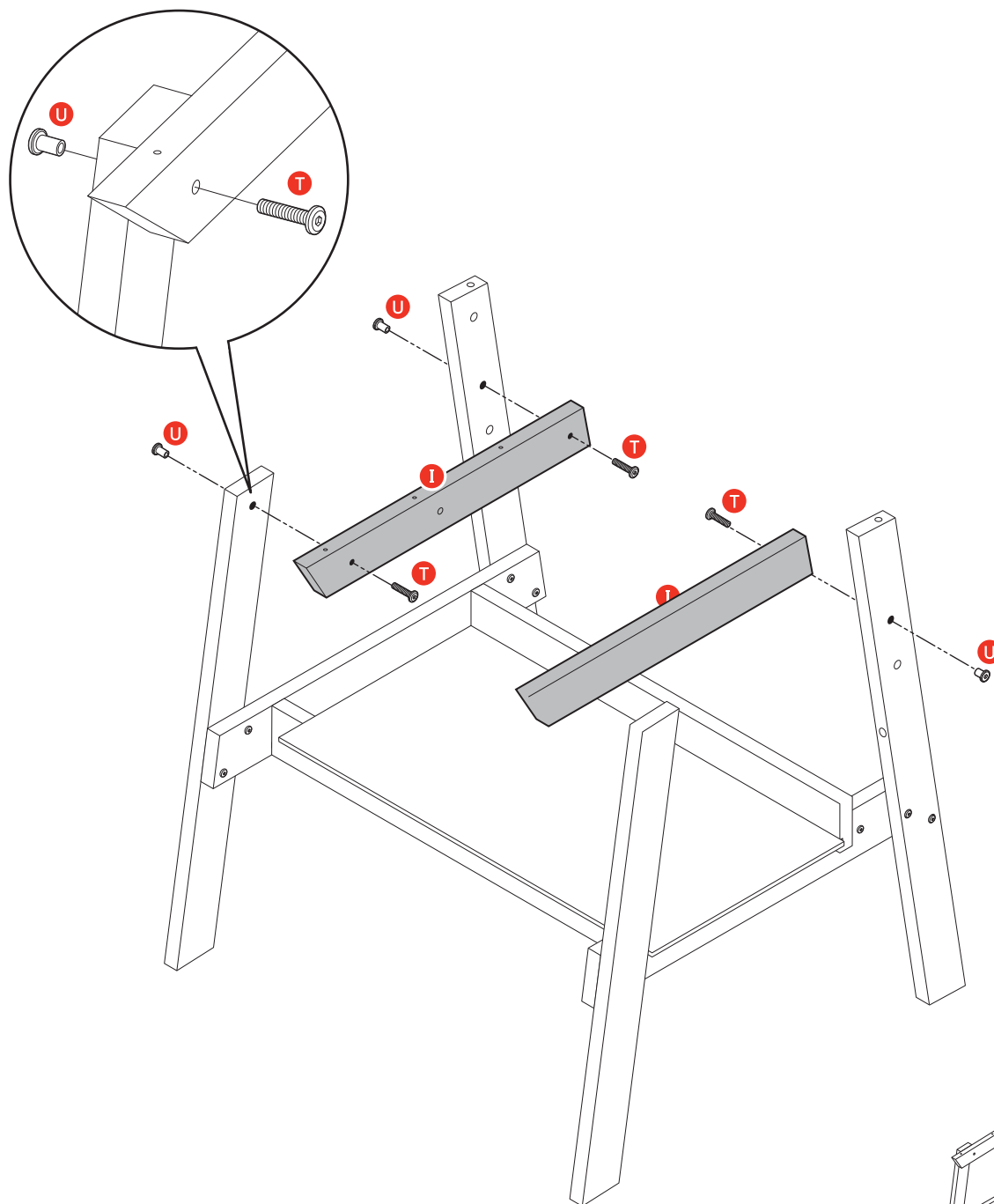
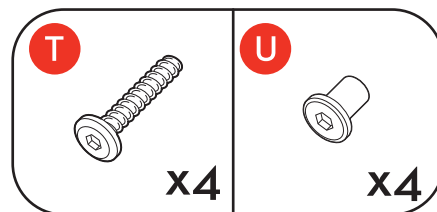
STEP 2 - Get a Leg Up

Using 8 short bolts (part T) and 8 bolt nuts (part U), attach the front legs (part F) and the rear left and right legs (parts G & H) to the tray assembly.



STEP 3 - Don't Stop Till the Rails Are on Top

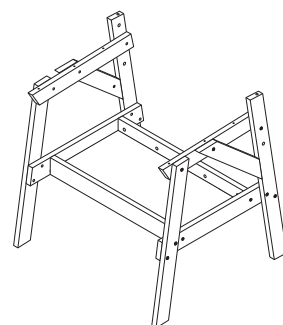
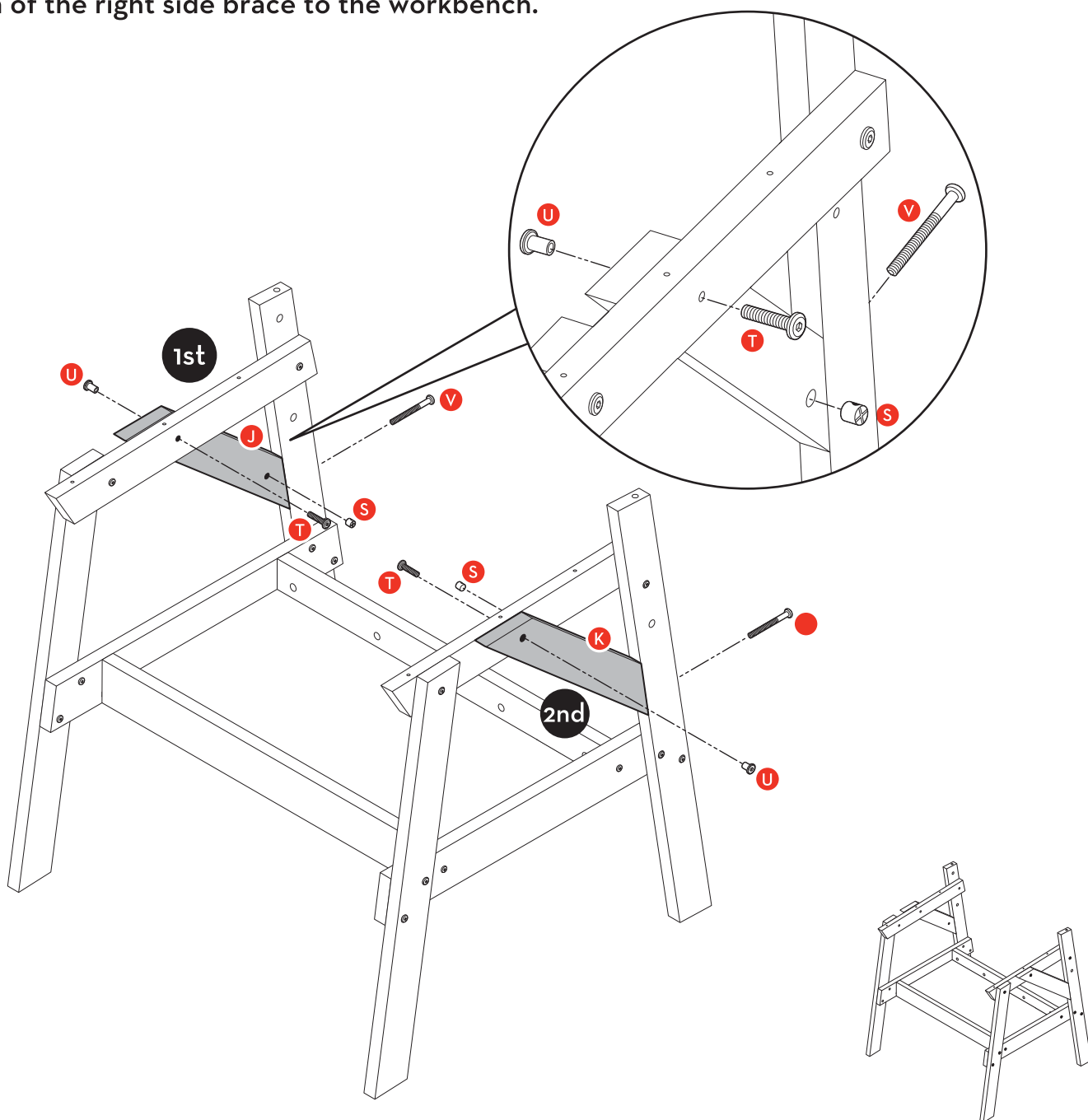
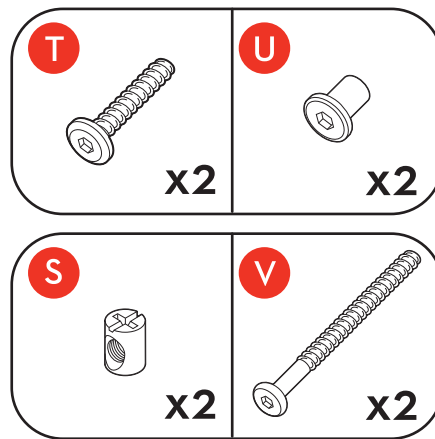
Using 4 short bolts (part T) and 4 bolt nuts (part U), attach the upper side rails (part I) to the workbench.



Assembled View

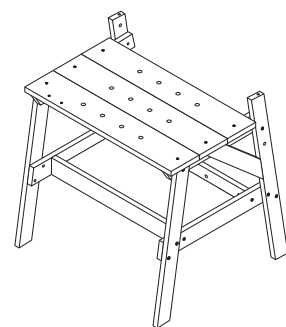
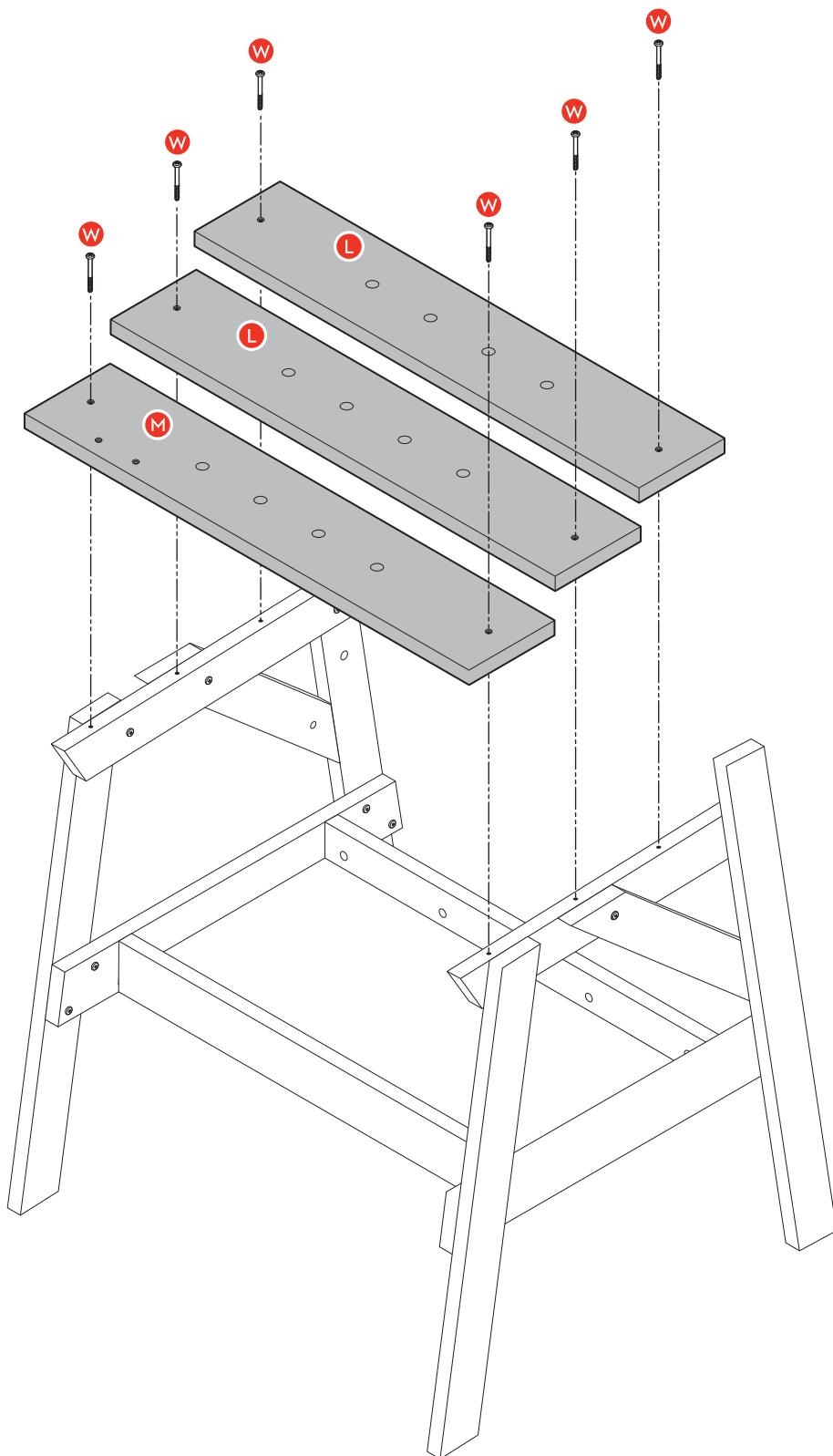
STEP 4 - Brace Yourself

- First, using 1 short bolt (part T) and 1 bolt nut (part U), attach the top of the left side brace (part J) to the left side rail. Then, using 1 barrel nut (part S) and 1 long bolt (part V), attach the bottom of the left side brace to the workbench.
- Second, using 1 short bolt (part T) and 1 bolt nut (part U), attach the top of the right side brace (part K) to the right side rail. Then, using 1 barrel nut (part S) and 1 long bolt (part V), attach the bottom of the right side brace to the workbench.



STEP 5 - Planks A Lot

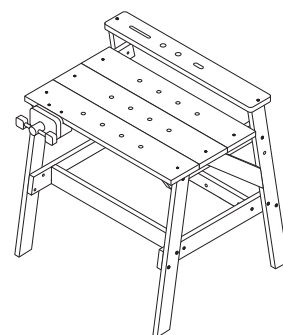
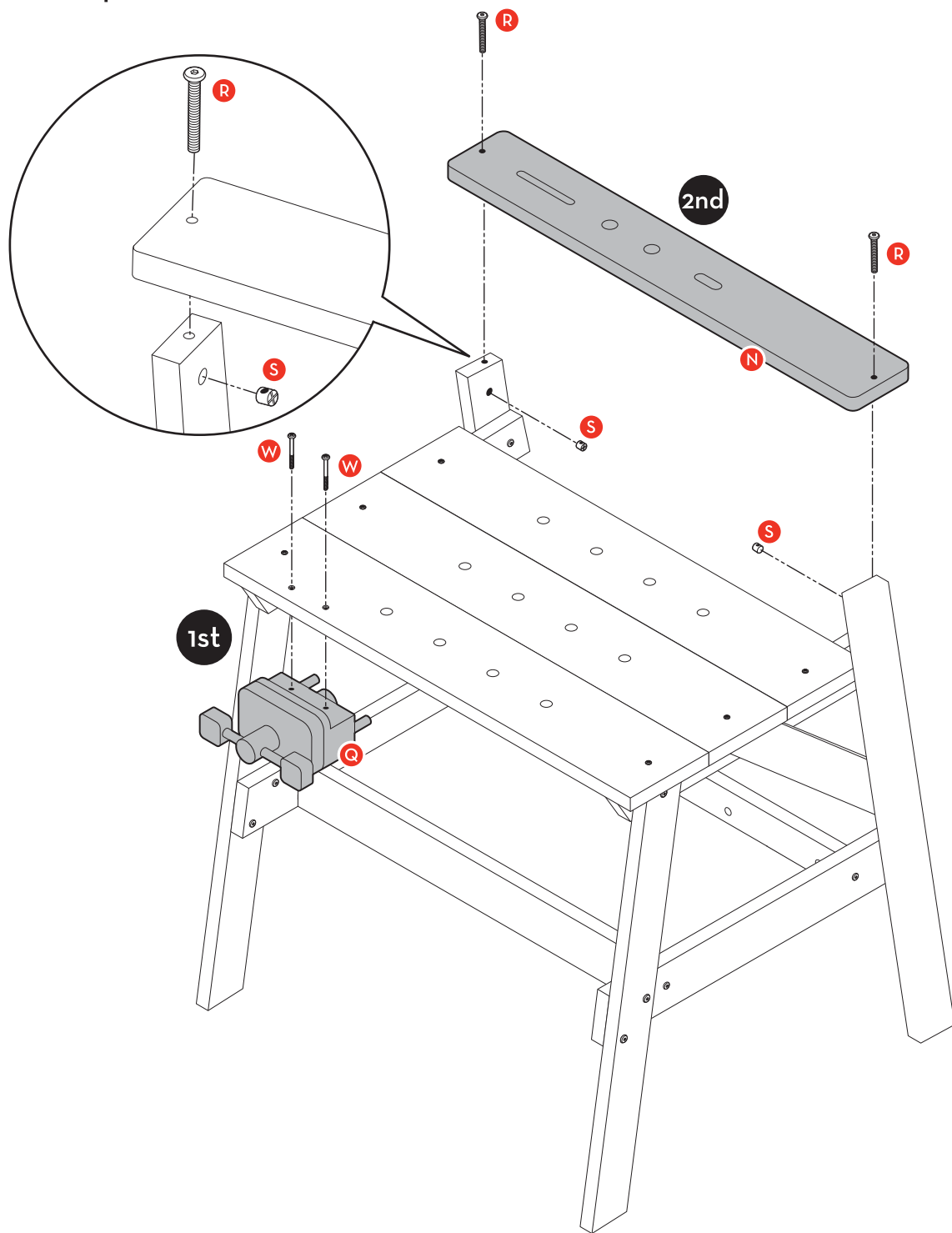
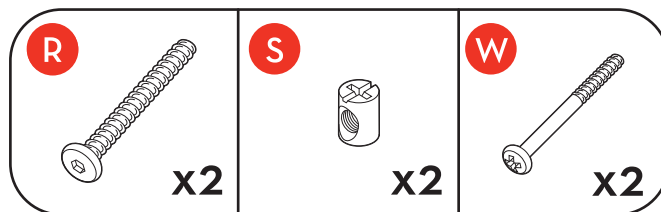
Using 6 screws (part W), attach the middle and rear planks (parts L) to the workbench. Then, attach the front top plank (part M) to the workbench.



Assembled View

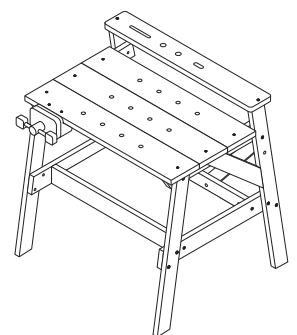
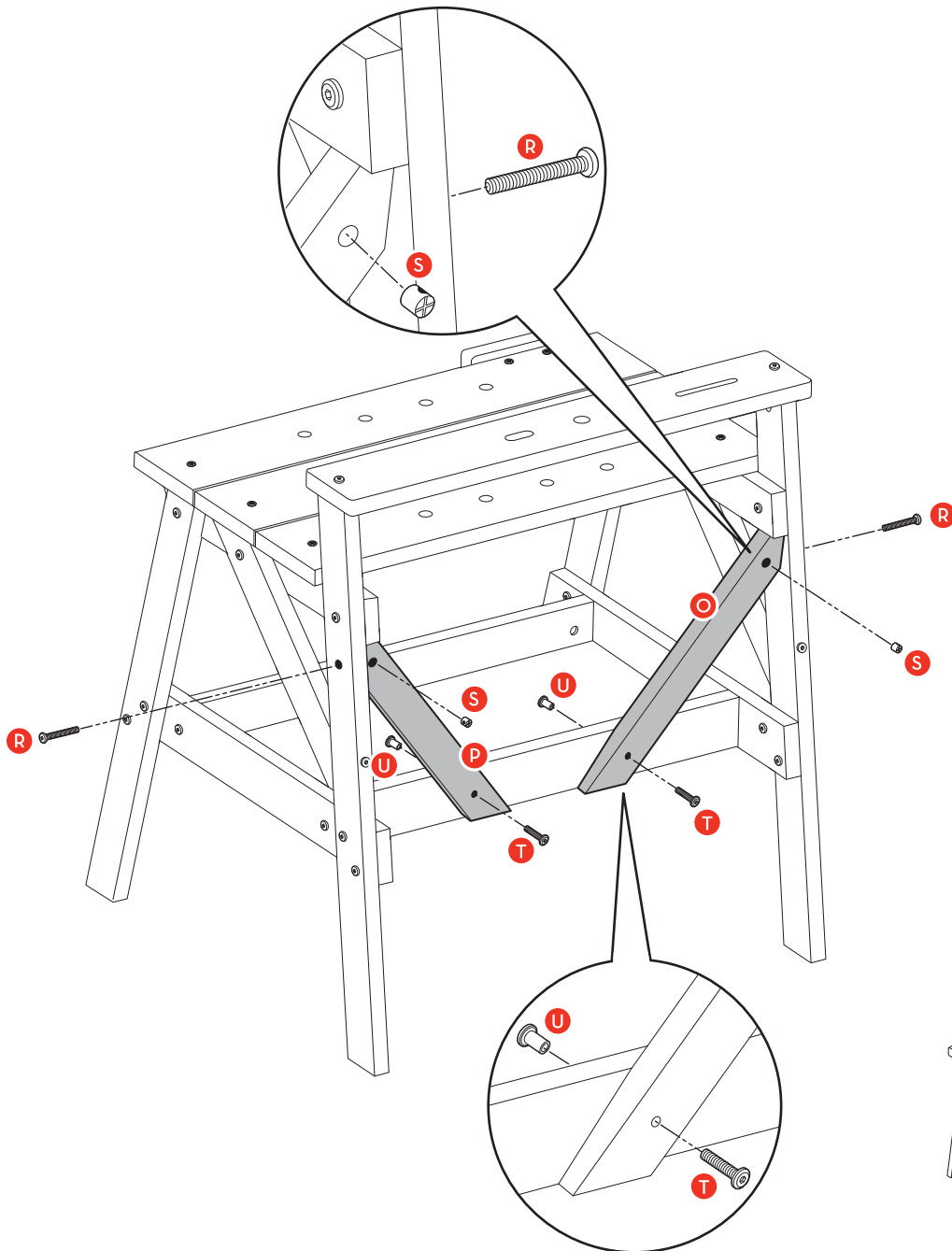
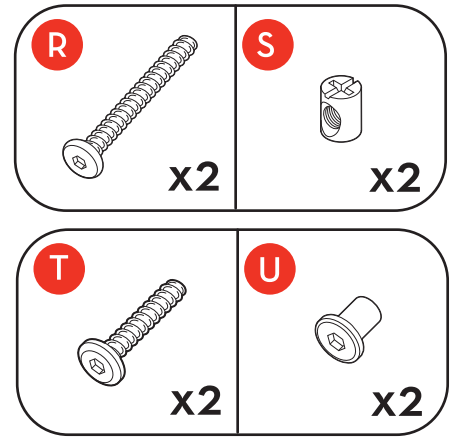
STEP 6 - Hold On

- First, using 2 screws (part W), attach the vise (part Q) to the workbench.
- Second, using 2 medium bolts (part R) and 2 barrel nuts (part S), attach the tool holder (part N) to the workbench.



STEP 7 - What Fun—You're Done

- First, using 1 medium bolt (part R) and 1 barrel nut (part S), attach the top of the right rear brace (part P) to the workbench. Then, using 1 short bolt (part T) and 1 bolt nut (part U), attach the bottom of the rear brace to the workbench.
- Second, using 1 medium bolt (part R) and 1 barrel nut (part S), attach the top of the left rear brace (part O) to the workbench. Then, using 1 short bolt (part T) and 1 bolt nut (part U), attach the bottom of the rear brace to the workbench.



Assembled View

YOU DID IT!

Now the real fun begins—it's time to get building! Here are some of the special features of the Wooden Project Workbench:

- **WOODEN TOOLS:** These handy wooden tools are kid-friendly, but built to get the job done! Twist, tighten, bang, and pound with the lightweight, easy-to-grip screwdriver, hammer, and wrench. Practice making straight and angled cuts in the sawing board with the wooden toy saw.
- **WORKING WOODEN VISE:** Turn the working vise attached to the workbench to hold pieces firmly in place.
- **55 WOODEN CONSTRUCTION PIECES:** Connect different-sized blocks and boards with plenty of screws, nuts, bolts, wood nails, and washer. The colored pieces, pre-drilled with holes, are easy for small hands to maneuver and manipulate. All the pieces and hardware are reusable for building and re-building countless creations.
- **TOOL HOLDER:** A place for everything and everything in its place! Keep your work area neat and organized. There are holes to conveniently store the wrench, screwdriver, hammer, and saw.
- **BOTTOM STORAGE TRAY:** Keep wooden pieces out of the way, but close at hand. It's also the perfect place to keep the project booklet for easy reference and completed projects to play with later!
- **LARGE WORKSPACE:** With tools and pieces stored out of the way, there's plenty of room for truly constructive play!
- **PROJECT BOOKLET:** The illustrated book guides young builders through six easy but impressive projects they can make again and again! Projects include a helicopter, race car, dune buggy, motorcycle, airplane, and a robot. The fun and simple creations are sure to build confidence and spark imaginations, inspiring countless unique inventions! Then, of course, encourage young builders to devise their own unique contraptions, structures, or inventions with the pieces!

ACCESSORIZE

The Melissa & Doug Construction Set in a Box (#5151) and the Deluxe Tool Belt Set (#5174) are designed to play perfectly with your Wooden Project Workbench! Add even more tools, pieces, and constructive project options with the Construction Set in a Box that includes 48 wooden pieces (including nuts, bolts, drilled bars to connect, and a child-size screwdriver). Keep all your tools handy with the 14-piece Deluxe Tool Belt Set that can also be personalized! To find these items and more, visit us at MelissaAndDoug.com!

