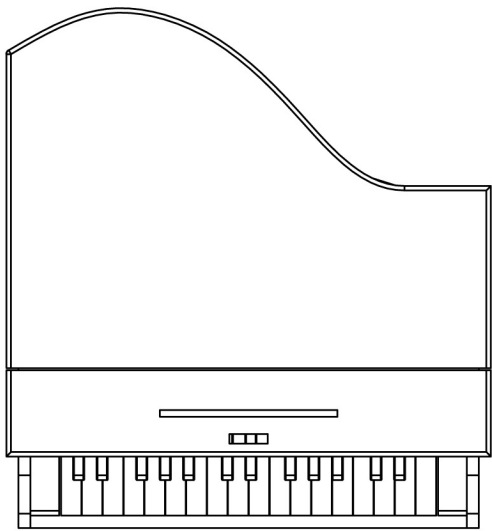
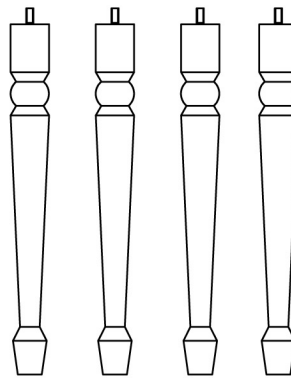


Grand Piano Components

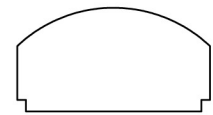
Tools needed for assembly: **Phillips screwdriver**



grand piano



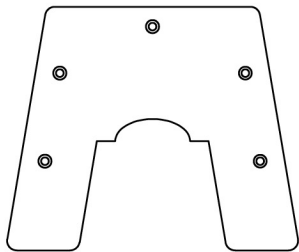
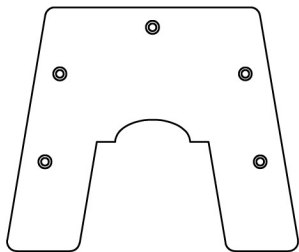
4 piano legs



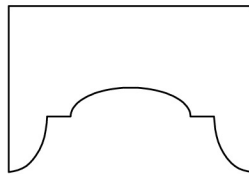
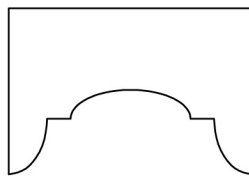
music holder panel



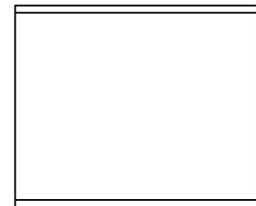
sheet music front stop



2 piano stool side panels



2 piano stool front/rear panels



piano stool top panel



10 piano stool machine screws

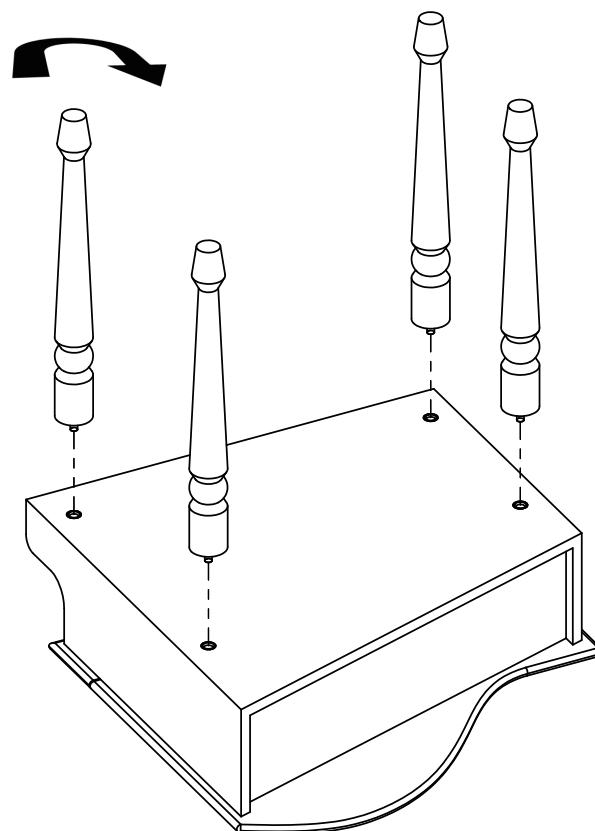
Piano Assembly Instructions

Attaching the piano legs:

While keeping the piano lid closed, carefully turn the piano upside-down and lay it on a flat surface (as a precaution, use a soft surface or lay a towel on the surface to prevent marring the top of the piano). Take one leg and thread it into one of the four holes on the bottom panel of the piano by turning it in the clockwise direction.

Attach the remaining three legs in the same manner. Before setting the piano assembly on its legs, make sure all four legs are tight and steady in the holes. Hold the piano lid closed as you turn the piano over.

DO NOT SET THE PIANO ON ITS LEGS UNTIL THE LEGS ARE TIGHT AND STRAIGHT.



Attaching the music holder panel and sheet music front stop:

Insert the large music holder panel into the rear slot on the top of the piano's front lid with the white music graphic facing forward.

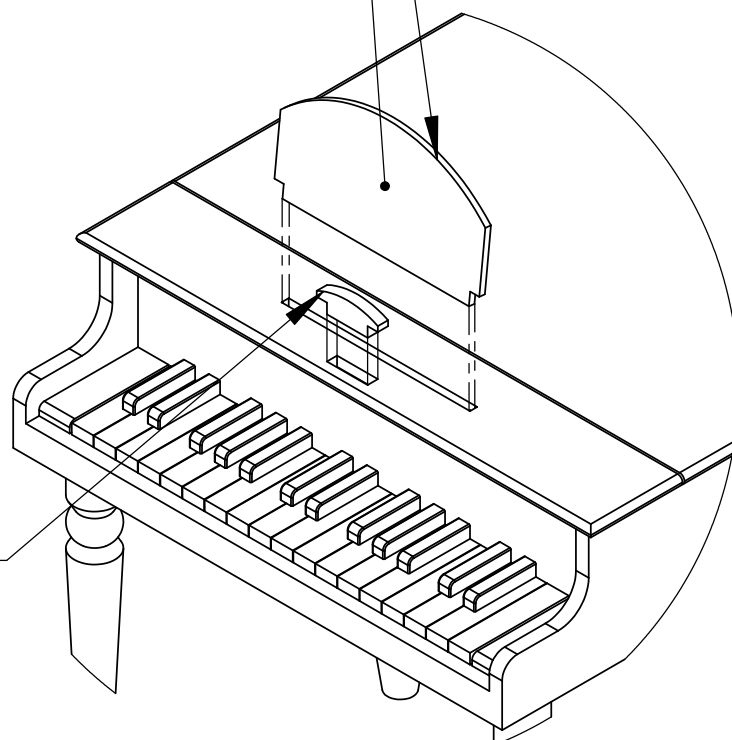
Insert the sheet music holder front stop into the forward slot on the top of the piano's front lid.

Proceed to the piano stool assembly instructions.

white music graphic on this surface

music holder panel in rear slot

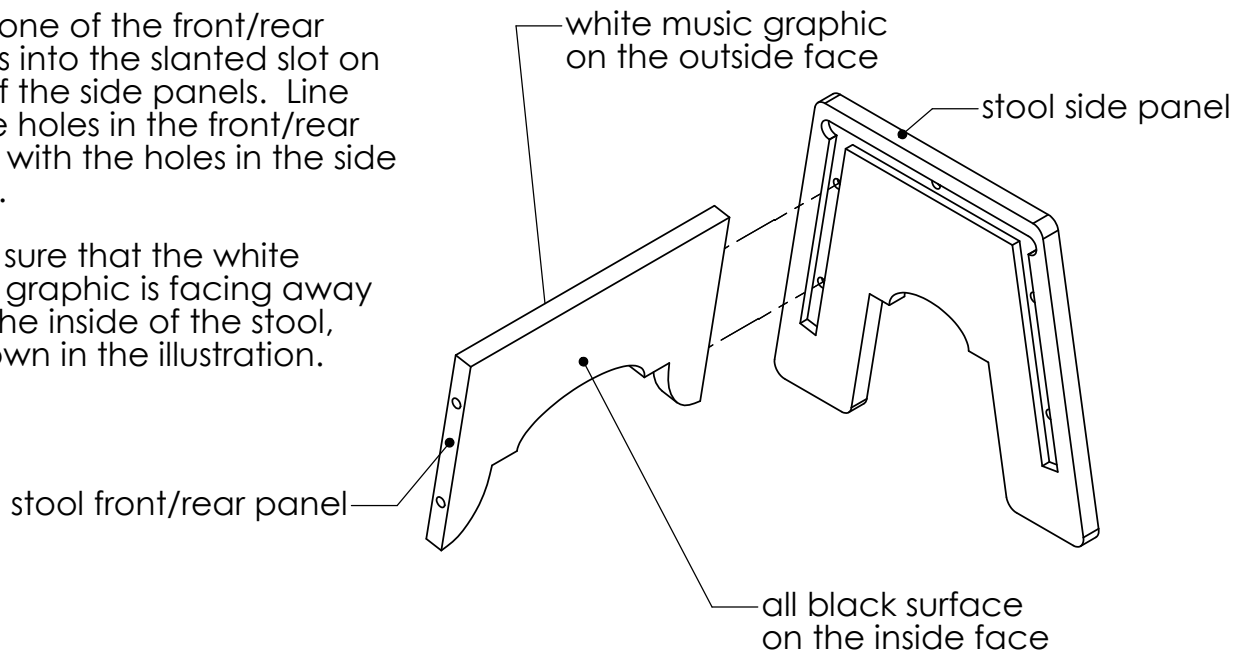
sheet music front stop in forward slot



Piano Stool Assembly Instructions

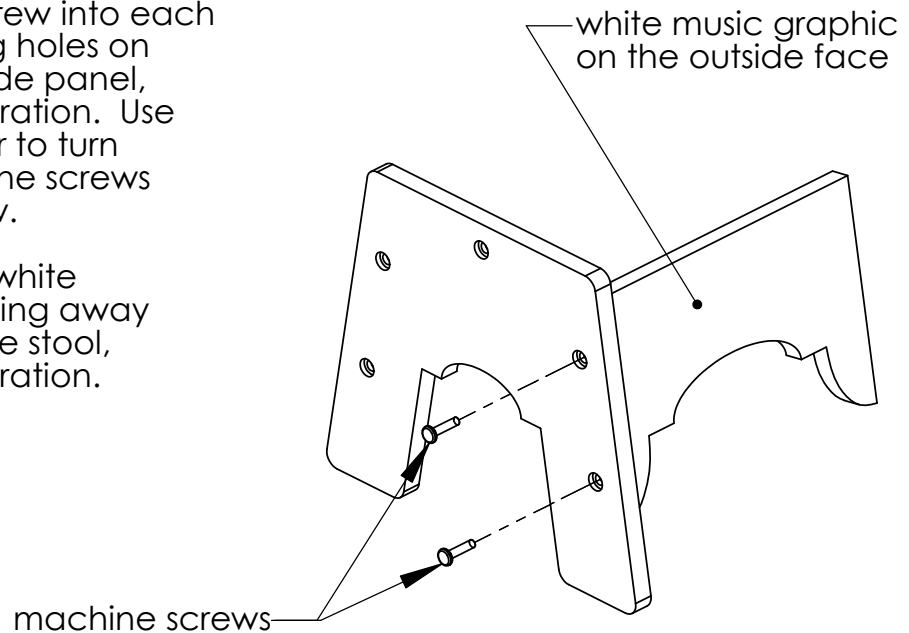
Step 1: Insert one of the front/rear panels into the slanted slot on one of the side panels. Line up the holes in the front/rear panel with the holes in the side panel.

Make sure that the white music graphic is facing away from the inside of the stool, as shown in the illustration.



Step 2: Insert a machine screw into each of the two mounting holes on the outside of the side panel, as shown in the illustration. Use a Phillips screwdriver to turn the screws. Leave the screws slightly loose for now.

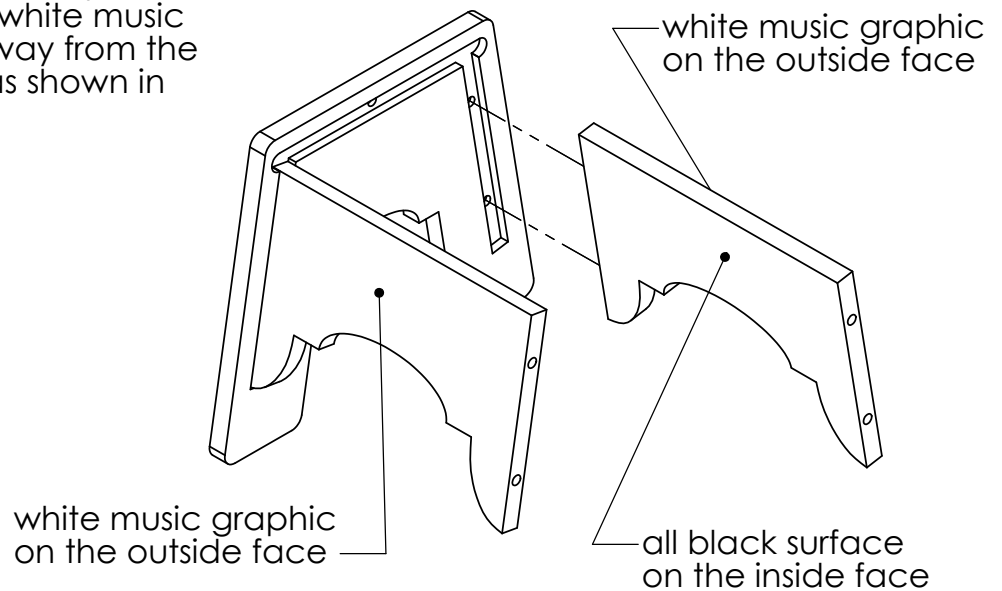
Make sure that the white music graphic is facing away from the inside of the stool, as shown in the illustration.



YOUR CHILD'S SAFETY IS PARAMOUNT. THIS STOOL HAS BEEN DESIGNED TO BE STABLE AND SAFE. PLEASE FOLLOW THESE INSTRUCTIONS CAREFULLY TO ENSURE THAT IT HAS BEEN PROPERLY ASSEMBLED.

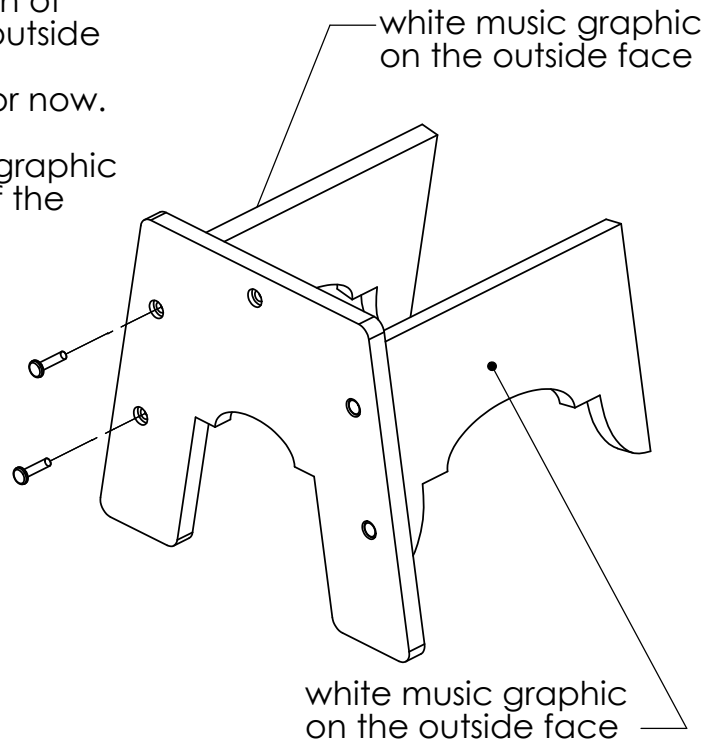
Piano Stool Assembly Instructions

Step 3: Insert the remaining front/rear panel into the slanted slot on the opposite side of the side panel. Make sure that the white music graphic is facing away from the inside of the stool, as shown in the illustration.



Step 4: Insert a machine screw into each of the two mounting holes on the outside of the side panel, as in step 2. Leave the screws slightly loose for now.

Make sure that the white music graphic is facing away from the inside of the stool, as shown in the illustration.



Piano Stool Assembly Instructions

Step 5: Line up the top panel as shown in illustration 5a. Insert the top panel into the side panel slot as shown in illustration 5b.

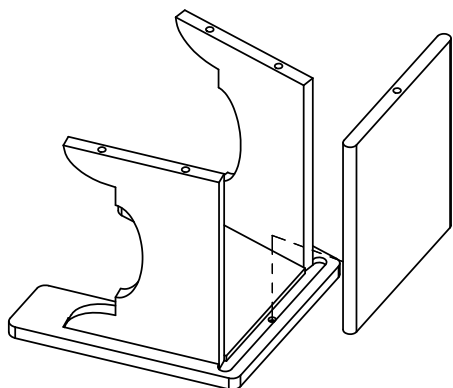


Illustration 5a

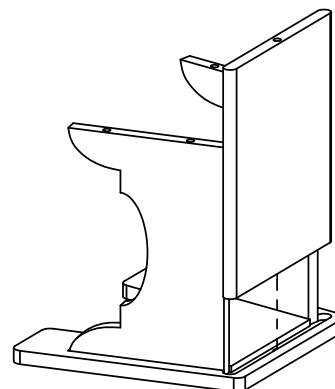
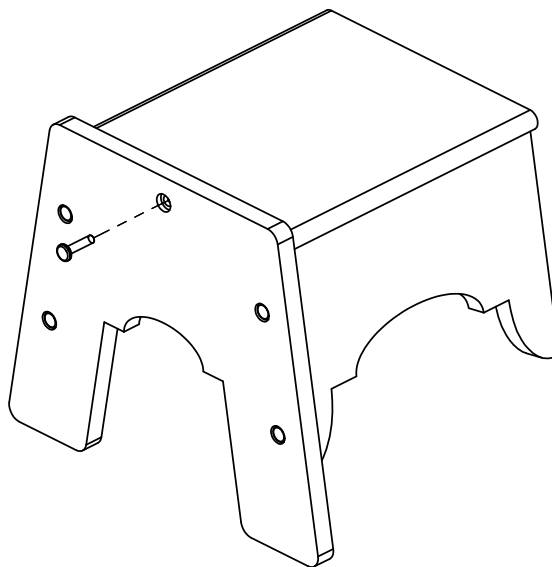


Illustration 5b

Step 6: Insert a machine screw into the remaining empty mounting hole on the outside of the side panel, as shown in the illustration. Leave the screw slightly loose for now.

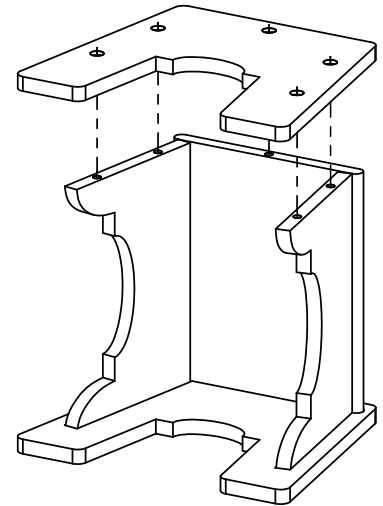


YOUR CHILD'S SAFETY IS PARAMOUNT. THIS STOOL HAS BEEN DESIGNED TO BE STABLE AND SAFE. PLEASE FOLLOW THESE INSTRUCTIONS CAREFULLY TO ENSURE THAT IT HAS BEEN PROPERLY ASSEMBLED.

Piano Stool Assembly Instructions

Step 7: [It may be helpful to rest the stool in the vertical position, as shown in the illustration.]

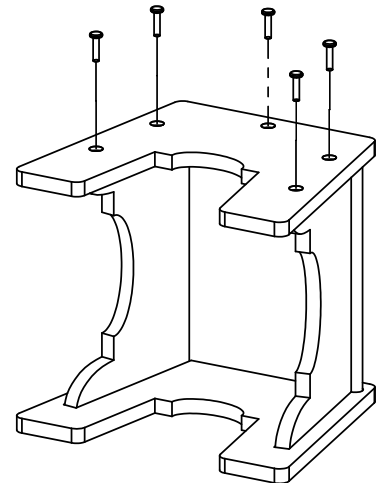
Carefully line up the remaining side panel slots with the ends of the two front/rear panels and the top panel. You may need to maneuver the top or front/rear panels slightly to make sure that they fit into the matching slots on the inside of the side panel. Press firmly on the side panel.



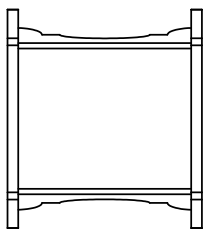
Step 8: Insert the remaining five (5) machine screws into the side panel mounting holes, as shown in the illustration. Tighten these five (5) machine screws completely with the screwdriver. Then tighten completely the five (5) machine screws on the opposite side panel.

The stool assembly is now complete.

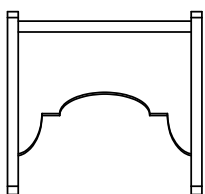
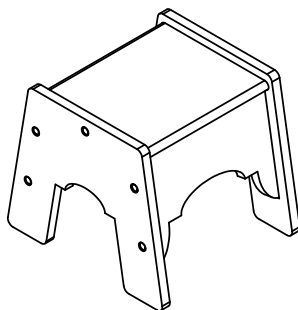
CAREFULLY EXAMINE THE STOOL TO MAKE SURE THAT NONE OF THE PANELS ARE LOOSE. TIGHTEN ANY LOOSE SCREWS, IF NECESSARY.



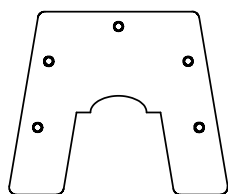
Completed piano stool assembly



Top view



Front/rear view



Side view

YOUR CHILD'S SAFETY IS PARAMOUNT. THIS STOOL HAS BEEN DESIGNED TO BE STABLE AND SAFE. PLEASE FOLLOW THESE INSTRUCTIONS CAREFULLY TO ENSURE THAT IT HAS BEEN PROPERLY ASSEMBLED.